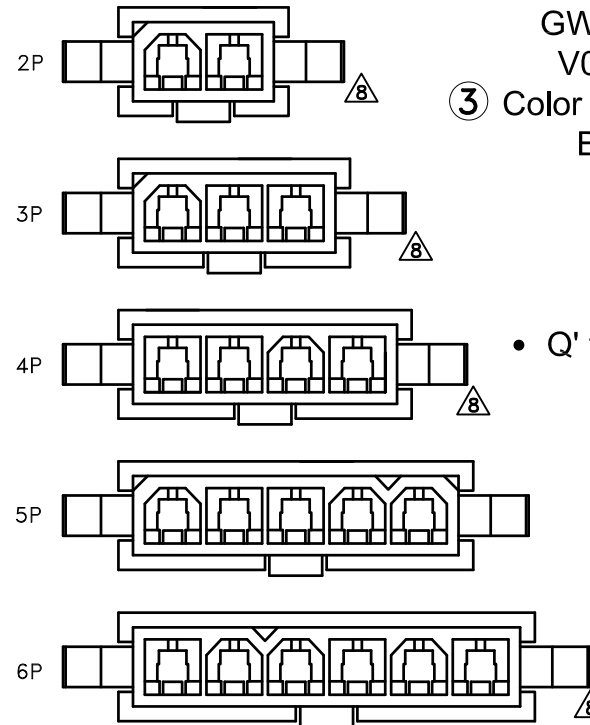
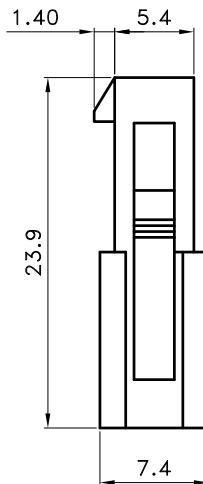
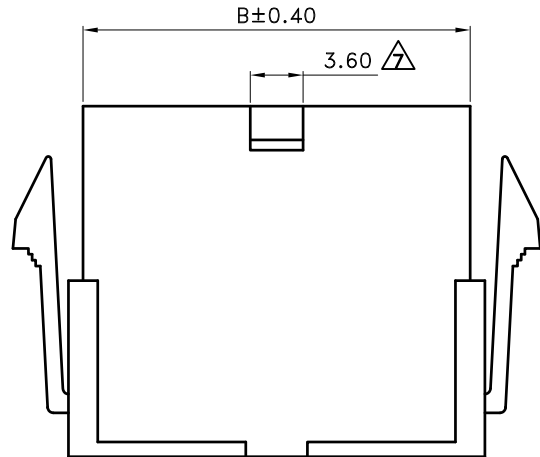
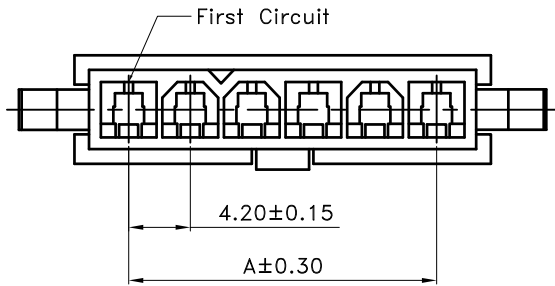


Panel Cutout (Max Panel Thickness 2.0mm)

General Tolerance ± 0.05

Poles	Dimensions (mm)		
	A	B	C
2	4.20	9.60	15.00
3	8.40	13.80	19.20
4	12.60	18.00	23.40
5	16.80	22.20	27.60
6	21.00	26.40	31.80



■ SPECIFICATIONS

- Current rating : 7A AC/DC. \triangle
- Withstanding voltage : 1500V AC/minute
- Insulation resistance : 1,000M Ω min.
- Temperature range : - 40 $^{\circ}$ C to + 105 $^{\circ}$ C
- Contact resistance : 20m Ω max.

■ RECEPTACLE HOUSING

- Part No. : JS-1148S-XX (XX X)

① ② ③

① Poles No : 02~06

② Material :

Blank : Nylon 66 UL94V-2

GW : Nylon66 UL94V-0(Glow Wire) \triangle

V0 : Nylon 66 UL94V-0 \triangle

③ Color : \triangle

Blank : Nature

R : RED

BU : BLUE

Y : YELLOW

- Q' ty : 1000 pcs./Bag



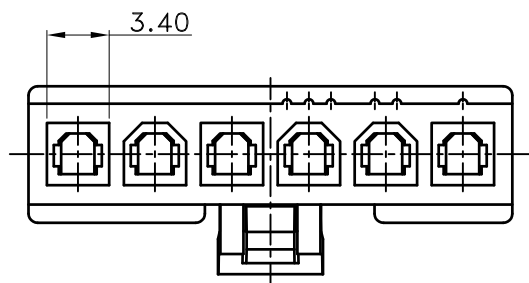
喬訊電子工業股份有限公司

CHYAO SHIUNN
ELECTRONIC INDUSTRIAL LTD.

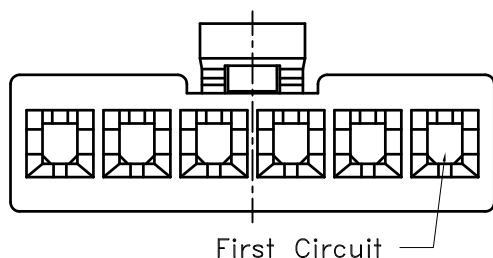
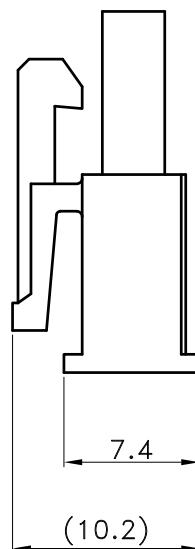
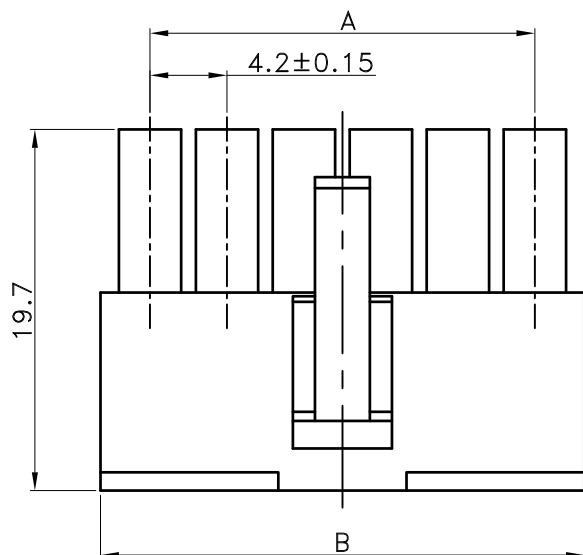
PART NO JS-1148S-XXXX(XXX)

4.20mm Mini-Fit S/R Power Connectors Receptacle Housing

APPROVED BY	SCALE	UNIT	TOLERANCE	LTR	REVISION RECORD	NAME	DATE	LTR	REVISION RECORD	NAME	DATE
簡子欽		mm	.0	± 0.30	\triangle	黃科源	06/05/16	\triangle	新增G料, WO/E選項及顏色	林宛盈	16/05/30
CHECKED BY	PROJ	VER NO.	.00	± 0.20	\triangle	黃科源	07/07/11	\triangle	G料改為新增GW材質選項	曾慶根	2017/08/29
周家慶	\oplus	a11	.000	± 0.10	\triangle	黃科源	07/07/16	\triangle	刪除WO/E選項, 並增加V0料選項	曾慶根	2018/06/20
DRAWN BY	DATE	SIZE	ANGLE		\triangle	黃科源	08/08/23	CUSTOMER			
曾慶根	2018.06.20	A4	0 $^{\circ}$	$\pm 1^{\circ}$	\triangle	黃科源	09/03/02				
			0 $^{\circ}$	\pm	\triangle	額定電流更正為 7A	劉怡萱	11/03/31	Conforms to The RoHS Instruction		
			SHEET	1/1	\triangle	修正所有圖示, 與圖對齊	鄭小嬌	15/04/23			



Poles	Dimensions(mm)	
	A	B
2	4.20±0.15	9.60±0.30
3	8.40±0.25	13.80±0.30
4	12.60±0.25	18.00±0.30
5	16.80±0.25	22.20±0.30
6	21.00±0.25	26.40±0.30



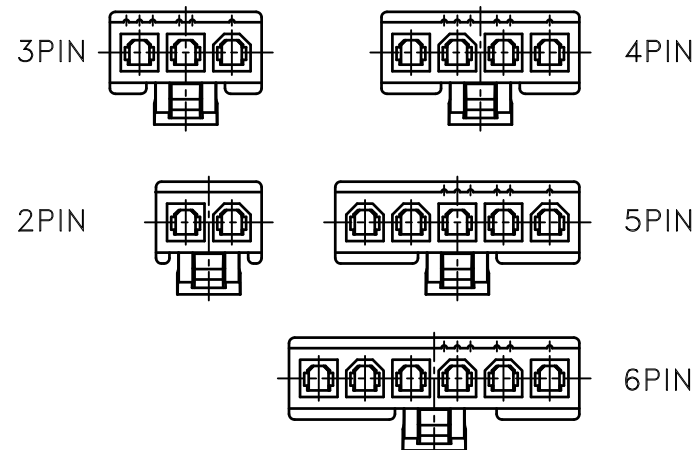
■ SPECIFICATIONS

- Current rating : 7A AC/DC. \triangle_5
- Withstanding voltage : 1500V AC/minute
- Insulation resistance : 1000M Ω min.
- Temperature range : - 40°C to + 105°C
- Contact resistance : 20m Ω max.

■ PLUG HOUSING

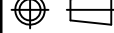
- Part No. : JS-1149S-XX(XX)XX

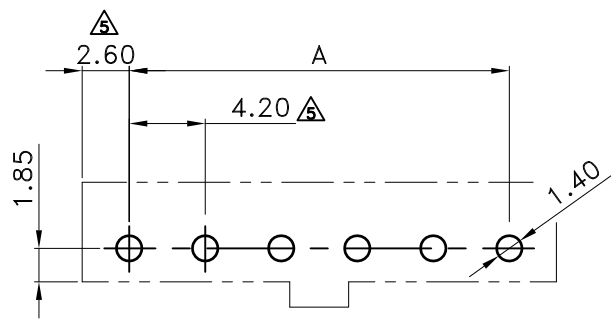
- ① Poles : 2-6
- ② Blank: Nylon 66 UL94V-2 \triangle_7
V0: Nylon 66 UL94V-0
GW : Nylon66 UL94V-0(Glow Wire) \triangle_9
- ③ Color : Blank : Nature \triangle_7
BK : Black (For V0 , V2)
R : Red
BU : Blue
Y : Yellow
- Q' ty : 1,000 pcs./Bag



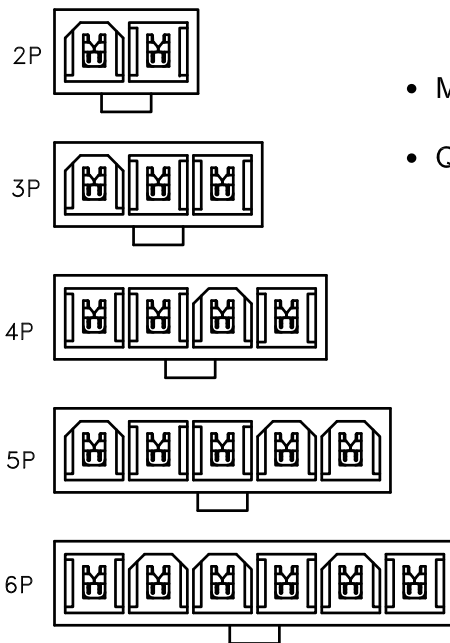
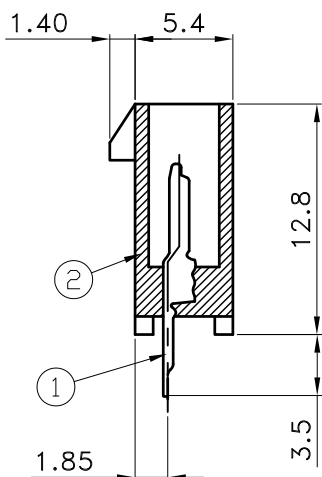
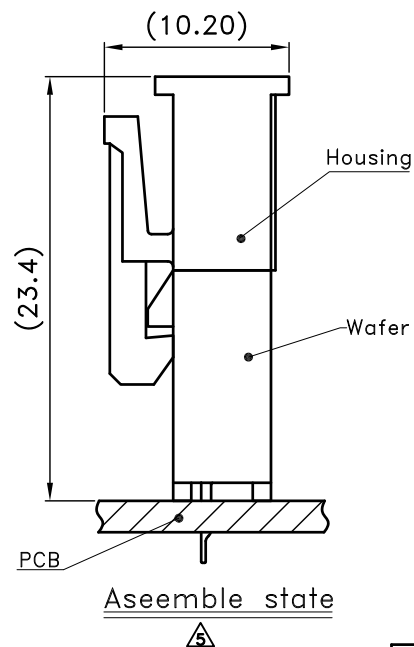
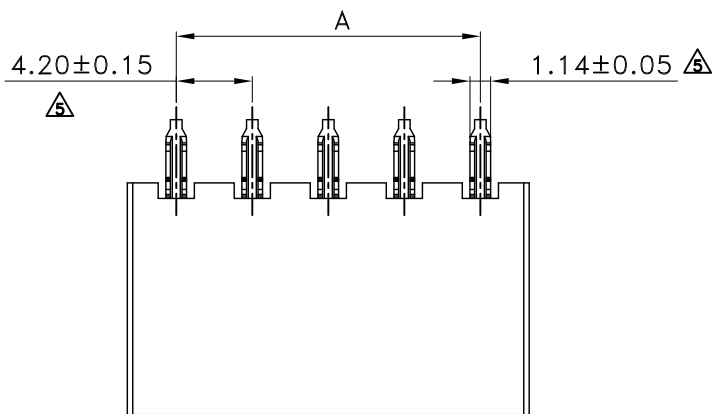
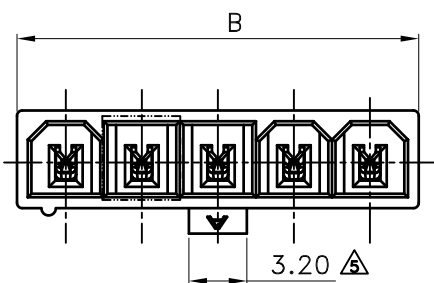

 喬訊電子工業股份有限公司
CHYAO SHIUNN
ELECTRONIC INDUSTRIAL LTD.

PART NO JS-1149S-XX(XX)
4.20mm S/R Power Connectors -Plug Housing

APPROVED BY	SCALE	UNIT	TOLERANCE	LTR	REVISION RECORD	NAME	DATE	LTR	REVISION RECORD	NAME	DATE
張育瑞		mm	.0 ±0.30		ECR RoHS Compliant	N/A	07/01/05	\triangle_5	增加G材質選項及顏色, 整體格式變更	林宛盈	16/05/30
CHECKED BY	PROJ	VER NO.	.00 ±0.20	\triangle_7	ECR 200707-018	黃科源	07/07/13	\triangle_5	依ECR-00000160修改產品敘述	李柏昇	16/08/08
周家慶		a9	.000 ±0.10	\triangle_7	ECR 200708-029	黃科源	07/08/29	\triangle_5	G料改為新增GW材質選項	曾慶根	17/09/29
DRAWN BY	DATE	SIZE	ANGLE		ECR 200809-014	黃科源	08/09/23	CUSTOMER			
曾慶根	2017/09/29	A4	0° ±1°	\triangle_7	ECR 圖面合併&移除額定電壓	林豐盛	11/03/01				
			.0° ±	\triangle_5	額定電流更正為 7A	劉怡萱	11/03/31	Conforms to The RoHS Instruction			
			SHEET 1/1	\triangle_5	修正02PIN圖示與實物相符: 刪除肋條	鄭小嬌	15/06/16				



Recommended PCB Layout
General Tolerance ± 0.05



■ SPECIFICATIONS

- Current rating : 7A AC/DC. \triangle
- Withstanding voltage : 1500V AC/minute
- Insulation resistance : 1,000M Ω min.
- Temperature range : - 40 $^{\circ}$ C to + 105 $^{\circ}$ C
- Contact resistance : 20m Ω max.

■ WAFER \triangle

- Part No. : JS-1150S-XX(XX)XX

① ② ③

- ① • Poles : 2-6(Single , Straight)

- ② • Material: \triangle \triangle

Blank : Nylon 66 UL94V-2

V0 : Nylon 66 UL94V-0

GW : Nylon 66 UL94V-0 (Glow Wire) \triangle

- ③ • Color : Blank : Nature (Standard) \triangle

BK : Black (For V0 , V2)

R : Red

BU : Blue

Y : Yellow

- Material : 1.Contact : Brass, Tin Plated
2. Base : Refer Above Options

- Q' ty : 1,000 pcs./Bag

Poles	Dimensions(mm)	
	A	B
2	4.20 \pm 0.15	9.60 \pm 0.40
3	8.40 \pm 0.25	13.80 \pm 0.40
4	12.60 \pm 0.25	18.00 \pm 0.40
5	16.80 \pm 0.25	22.20 \pm 0.40
6	21.00 \pm 0.25	26.40 \pm 0.40



喬訊電子工業股份有限公司

CHYAO SHIUNN
ELECTRONIC INDUSTRIAL LTD.

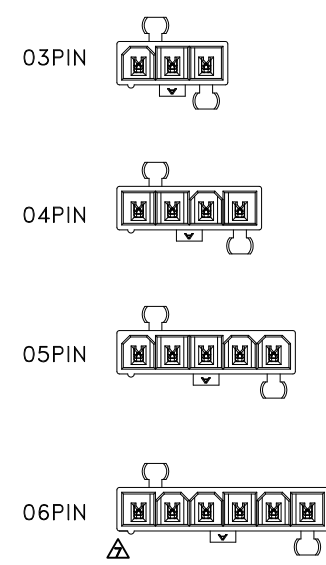
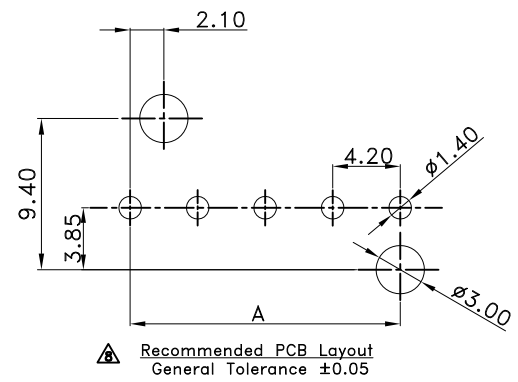
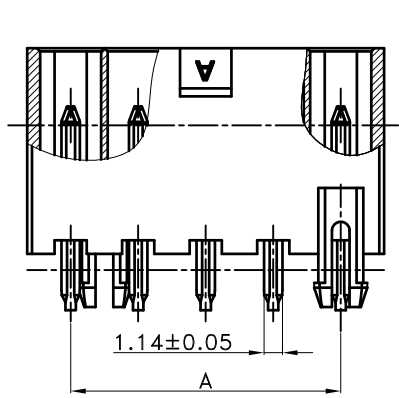
PART NO JS-1150S-XX(XX)XX

4.20mm S/R Power Connectors Wafer

APPROVED BY	SCALE	UNIT	TOLERANCE	LTR	REVISION RECORD	NAME	DATE	LTR	REVISION RECORD	NAME	DATE
施咸光		mm	.0 \pm 0.30	\triangle	200707-016	黃科源	07/07/13	\triangle	依ECR-00000160修改產品敘述	李柏昇	16/08/08
CHECKED BY	PROJ	VER NO.	.00 \pm 0.20	\triangle	200708-006	黃科源	07/08/10	\triangle	G料選項變更為GW選項	曾慶根	2019/03/08
周家慶	\odot \square	a9	.000 \pm 0.10	\triangle	200809-011	黃科源	08/09/13	\triangle			
DRAWN BY	DATE	SIZE	ANGLE		200902-001	黃科源	09/02/02				
曾慶根	2019/03/08	A4	0 $^{\circ}$	\pm 1 $^{\circ}$	\triangle	修改額定電流更正為 7A	劉怡瑩	11/04/01			
			0 $^{\circ}$	\pm	\triangle	增加V0料料號	鄭小嬌	15/05/20			
			SHEET	1/1	\triangle	增加G料料號及顏色	林宛盈	16/05/30			

CUSTOMER

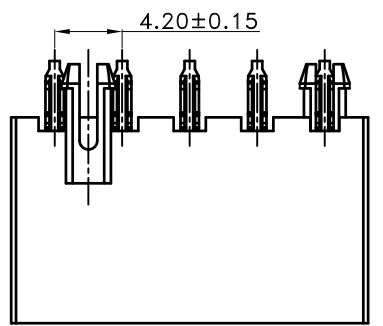
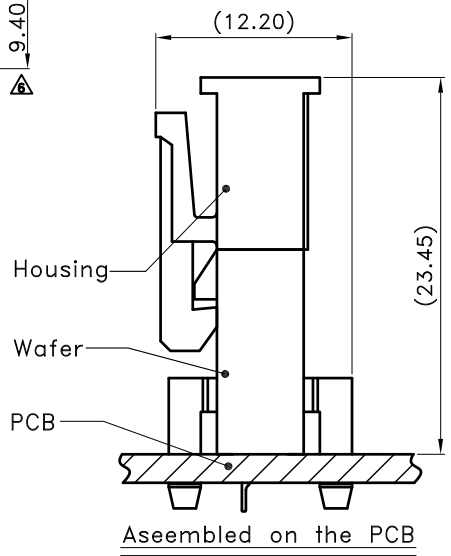
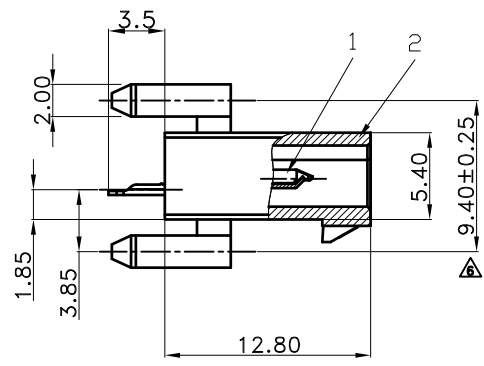
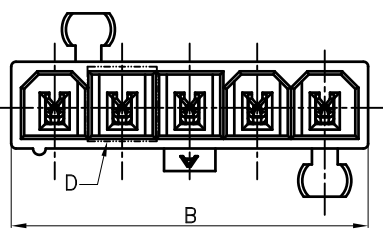
Conforms to The RoHS Instruction



- SPECIFICATIONS
- Current rating : 7A AC/DC. ⚠
 - Withstanding voltage : 1,500V AC/minute
 - Insulation resistance : 1,000MΩ min.
 - Temperature range : - 40°C to + 105°C
 - Contact resistance : 20mΩ max.

- WAFER (With Peg) ⚠ ⚠
- Part No. : JS-1151S-XX(XX)XX
- ① ② ③
- ① Poles : 03~06 (with Peg)
 - ② Base : Blank : Nylon 66 UL94V-2 ⚠
V0 : Nylon 66 UL94V-0
GW : Nylon 66 UL94V-0(Glow Wire) ⚠
 - ③ Color : Blank : Nature ⚠
BU : Blue
R : Red
Y : Yellow

- Material :
 1. Contact : Brass, Tin Plated
 2. Base : Refer the above options
- Q' ty : 1,000 pcs./Bag

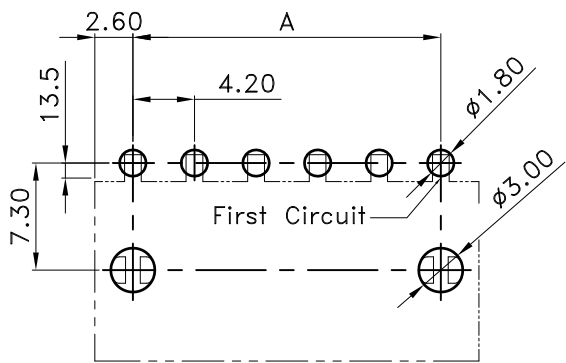


Poles	Dimensions(mm)	
	A	B
3	8.40±0.25	13.80±0.30
4	12.60±0.25	18.00±0.30
5	16.80±0.25	22.20±0.30
6	21.00±0.25	26.40±0.30

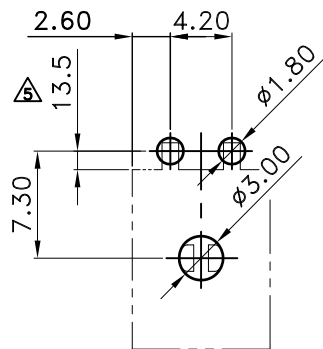
 喬訊電子工業股份有限公司
CHYAO SHIUNN
ELECTRONIC INDUSTRIAL LTD.

PART NO JS-1151S-XX
4.20mm Wire to Board Power Connector, Single-Row

APPROVED BY	SCALE	UNIT	TOLERANCE	LTR	REVISION RECORD	NAME	DATE	LTR	REVISION RECORD	NAME	DATE
施咸光		mm	.0 ±0.30	⚠	200708-006	劉蓮花	07/08/10	⚠	新增G材質及顏色	林宛盈	16/05/30
CHECKED BY	PROJ	VER NO.	.00 ±0.20	⚠	200708-026	黃科源	07/08/29	⚠	依ECR-00000160修改產品敘述	李柏昇	16/08/08
周家慶		a11	.000 ±0.10	⚠	200809-011	黃科源	08/09/13	⚠	G料選項變更為GW選項	曾慶根	2019/03/11
DRAWN BY	DATE	SIZE	ANGLE		200902-001	黃科源	09/02/02	CUSTOMER			
曾慶根	2019/03/11	A4	0° ±1°	⚠	修改額定電流為7A	劉怡萱	11/04/01				
			.0° ±	⚠	增加V0材質 & 示意圖上Pin 1位置	王誠賢	11/05/18				
			SHEET	1/1	⚠	修正 Layout A尺寸	吳弘文	13/06/20	Conforms to The RoHS Instruction		

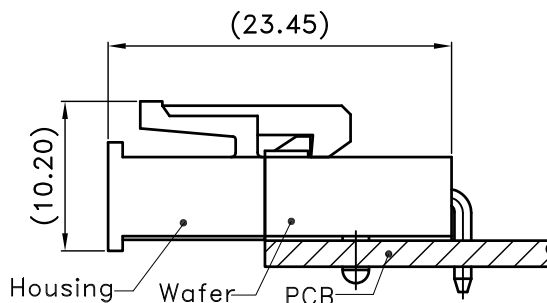
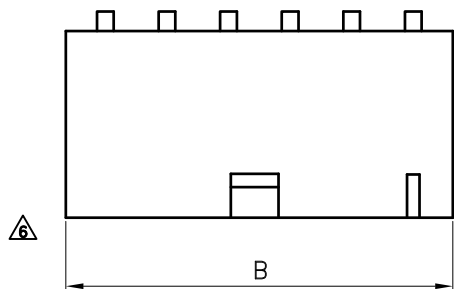


△ Recommended PCB Layout (Top View)
General tolerance ±0.05

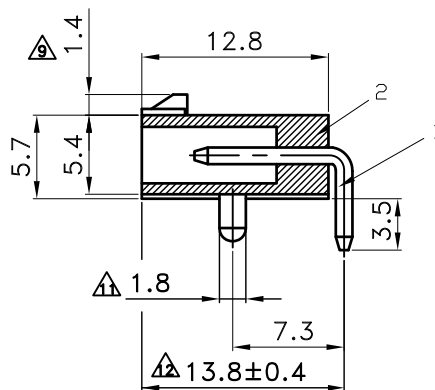
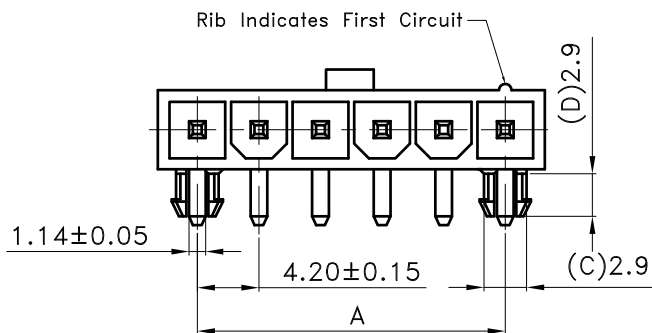


2 Circuit

Poles	Dimensions(mm)	
	A	B
2	4.20±0.15	9.60±0.30
3	8.40±0.25	13.80±0.30
4	12.60±0.25	18.00±0.30
5	16.80±0.25	22.20±0.30
6	21.00±0.25	26.40±0.30



△ Assembly Layout



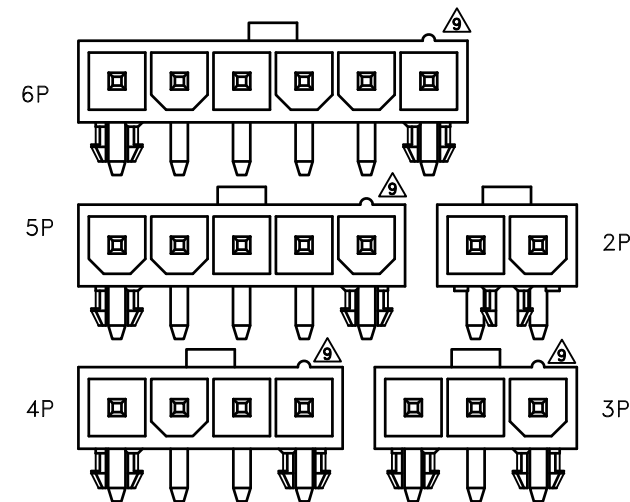
■ SPECIFICATIONS

- Current rating : 7A AC/DC. △
- Withstanding voltage : 1500V AC/minute
- Insulation resistance : 1,000M Ω min.
- Temperature range : - 40°C to + 105°C
- Contact resistance : 20m Ω max.

■ WAFER

- Part No : JS-1153S-XX (XX) XX
- Code No: ① ② ③

- ① Poles : 2-6(Single , Right Angle , with Peg)
- ② Base Material : Blank : Nylon 66 UL94V-2
V0 : Nylon 66 UL94V-0
PA : Nylon 46 UL94V-0
GW: Nylon 66 UL94V-0
(Glow Wire) △△
- ③ Base Material : Blank : Nature △
BK : Black (For V0,V2,PA)
BU : Blue
R : Red(186~185C) △
Y : Yellow
- Material : 1.Contact : Brass, Tin Plated
2. Base : Refer Above Options
- Q' ty : 1,000 pcs./Bag



喬訊電子工業股份有限公司
CHYAO SHIUNN
ELECTRONIC INDUSTRIAL LTD.

PART NO JS-1153S-XX
4.20mm S/R Power Connectors Wafer

APPROVED BY	SCALE	UNIT	TOLERANCE	LTR	REVISION RECORD	NAME	DATE	LTR	REVISION RECORD	NAME	DATE
施咸光		mm	.0 ±0.30	△	修改額定電流為7A	劉怡萱	2011/04/01	△	依ECR-00000160修改產品敘述	Tom Lee	2016/08/09
CHECKED BY	PROJ	VER NO.	.00 ±0.20	△	修正俯視圖表示方式	張逸維	2013/03/01	△	依ECR增加塑膠紅色(186~185C)參數	植濟余	2016/12/26
周家慶	⊕	a14	.000 ±0.10	△	增加V0材料選項	吳弘文	2013/03/04	△	G料選項變更為GW選項	曾慶根	2019/03/11
DRAWN BY	DATE	SIZE	ANGLE		增加PA46材料選項	張逸維	2013/03/22	CUSTOMER			
曾慶根	2019/03/11	A4	0° ±1°	△	3-6P增加筋條,修改1.4尺寸公差	黃廣珍	2014/03/12				
			0° ±	△	增加顏色:黑色	鄭小嬌	2015/04/17				
			SHEET	1/1	新增G料及顏色,變更公差	林宛盈	2016/05/30	Conforms to The RoHS Instruction			