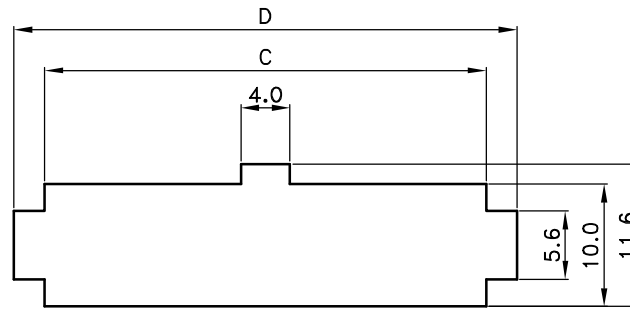


JS-1148-XXWO/E(XX)
Without Mounting Ears



PANEL CUTOUT DIMENSION

■ SPECIFICATIONS

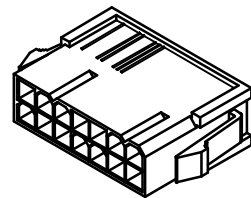
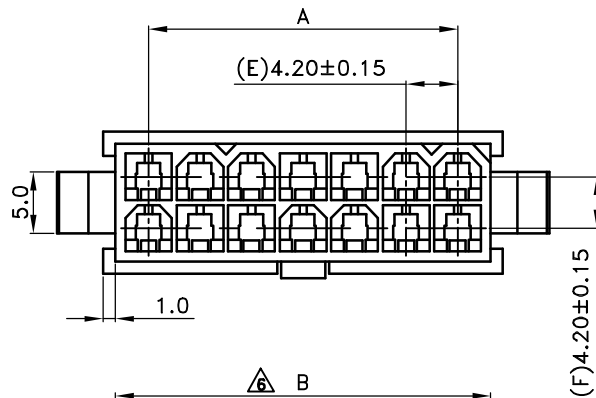
- Current Rating : 7A AC/DC
- Withstanding Voltage : 1,500V AC/minute
- Insulation Resistance : 1,000MΩ min
- Temperature Range : - 40°C to + 105°C
- Contact Resistance : 20mΩ max

■ RECEPTACLE HOUSING

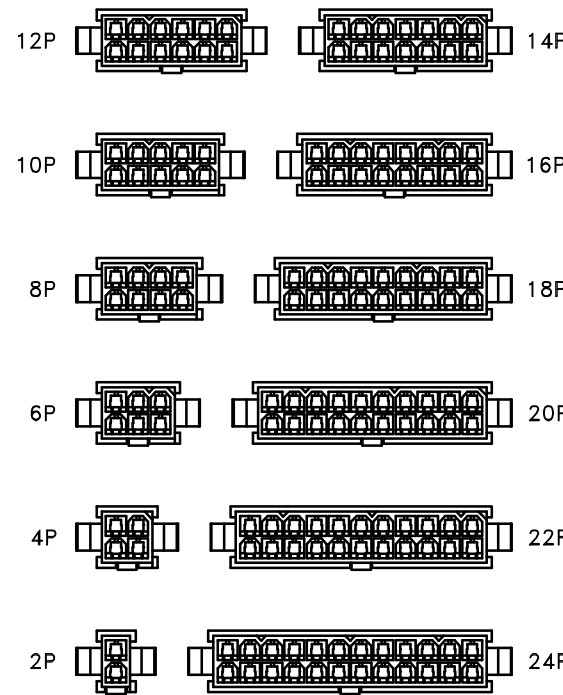
- Part No. : JS-1148-XXXX(XX)XX
① ② ③ ④

Ordering Code

- ① Poles No. : 02~24
- △ ② Structure :
Blank : With ear
WO/E : Without ear
- △ △ ③ Material :
Blank : Nylon 66 UL94V-2
V0 : Nylon 66 UL94V-0
△ GW : Nylon66 UL94V-0(Glow Wire)
- △ ④ Base Color :
Blank : Nature
BK : Black (For V0 , V2)
BU : Blue
R : Red

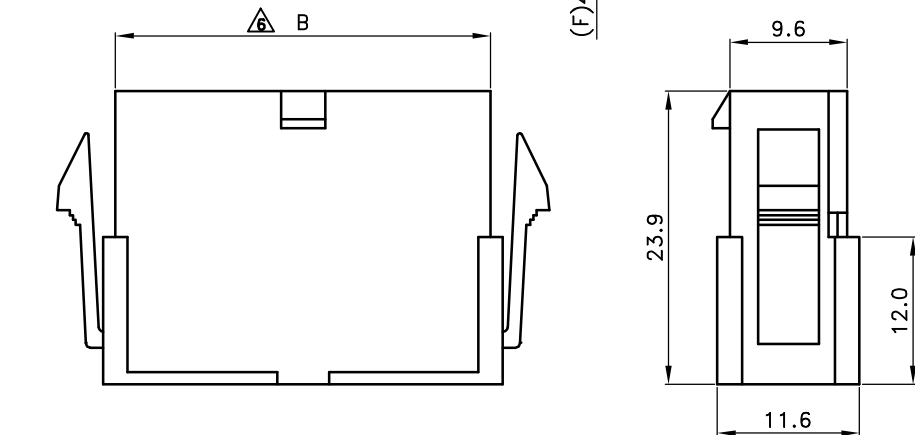


JS-1148-XX(XX)
With Mounting Ears



PRODUCT VIEW

Poles	Dimensions(mm)			
	A	△ △ B	C	D
2	----	5.40±0.20	5.80	10.80
4	4.20±0.15	9.60±0.20	10.00	15.00
6	8.40±0.20	13.80±0.25	14.20	19.20
8	12.60±0.20	18.00±0.25	18.40	23.40
10	16.80±0.30	22.20±0.30	22.60	27.60
12	21.00±0.30	26.40±0.30	26.80	31.80
14	25.20±0.30	30.60±0.30	31.00	36.00
16	29.40±0.30	34.80±0.30	35.20	40.20
18	33.60±0.40	39.00±0.40	39.40	44.40
20	37.80±0.40	43.20±0.40	43.60	48.60
22	42.00±0.40	47.40±0.40	47.80	52.80
24	46.20±0.40	51.60±0.40	52.00	57.00

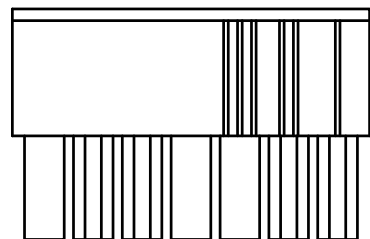
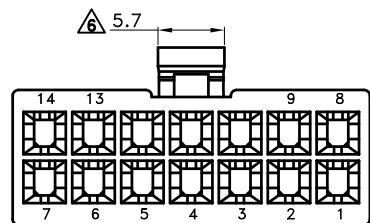
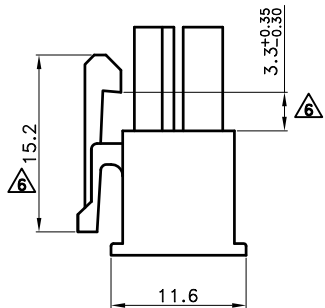
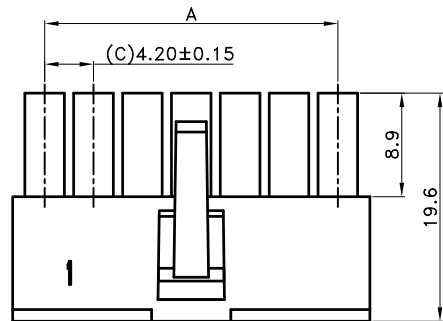
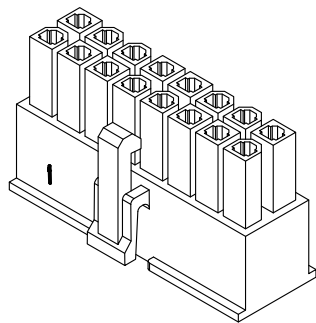
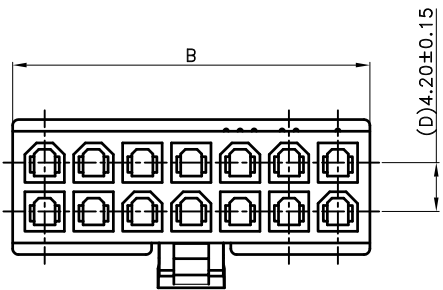


喬訊電子工業股份有限公司
CHYAO SHIUNN
ELECTRONIC INDUSTRIAL LTD.

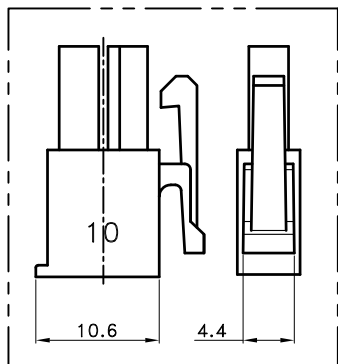
APPROVED BY	SCALE	UNIT	TOLERANCE	LTR	REVISION RECORD	NAME	DATE	LTR	REVISION RECORD	NAME	DATE
Tom Shih		mm	.0 ±0.30	△	圖面尺寸標注有誤	余秀麗	2005/03/08	△	新增GW材質選項	曾慶根	2017/03/06
CHECKED BY	PROJ	VER NO.	.00 ±0.20	△	變更原因遺失	余秀麗	2005/05/15	△	修正公差	Eddie	2023/11/21
Erin Chou		a9	.000 ±0.10	△	變更原因遺失	劉蓮花	2007/08/10	△			
DRAWN BY	DATE	SIZE	ANGLE		△	大幅修改圖面	黃科源	2008/07/23	CUSTOMER		
Eddie	2023/11/21	A4	0°	±1°	△	增加一個材質選項	林謙豪	2012/01/06			
			.0°	±	△	依實物量測，將B尺寸修改成與原圖面一致	譚玉華	2015/09/08			
			SHEET	1/1	△	變更料號及增加顏色	林宛盈	2016/05/30			

PART NO JS-1148-XX(XX)XX
4.20mm Dual-Row Wire to Wire Power Connector

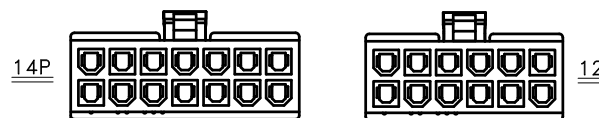
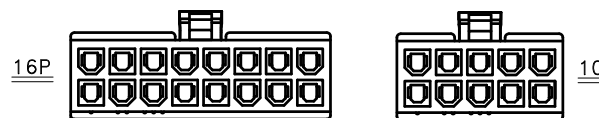
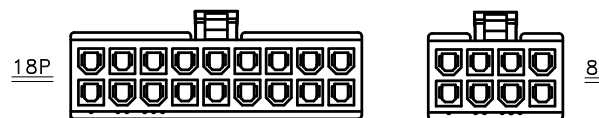
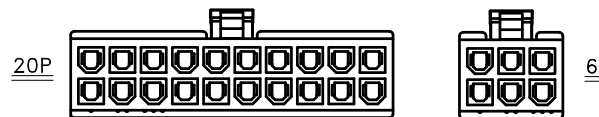
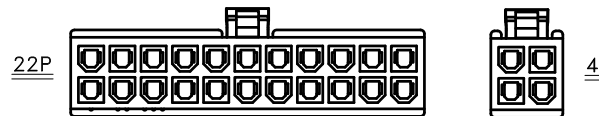
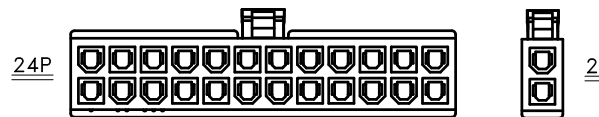
Conforms to The RoHS Instruction



BACK VIEW



2P

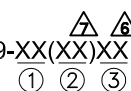


SPECIFICATIONS

- Current Rating : 7A AC/DC
- Withstanding Voltage : 1,500V AC/minute
- Insulation Resistance : 1,000M Ω min
- Temperature Range : -40°C to +105°C
- Contact Resistance : 20m Ω max

HOUSING

• Part No. : JS-1149-XX(XX)XX



Ordering Code

① Poles No. : 02~24

② Material

Blank : Nylon 66 UL94V-2

V0 : Nylon 66 UL94V-0

△ GW : Nylon66 UL94V-0(Glow Wire)

△③ Color

Blank : Nature

BK : Black (For V0 , V2)

R : Red

BU : Blue

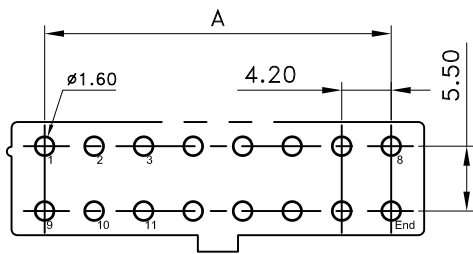
Poles	Dimensions(mm)	
	A	B
2	----	5.60±0.30
4	4.20±0.15	9.80±0.30
6	8.40±0.20	14.00±0.30
8	12.60±0.20	18.20±0.30
10	16.80±0.30	22.40±0.40
12	21.00±0.30	26.60±0.40
14	25.20±0.30	30.80±0.40
16	29.40±0.30	35.00±0.40
18	33.60±0.40	39.20±0.50
20	37.80±0.40	43.40±0.50
22	42.00±0.40	47.60±0.50
24	46.20±0.40	51.80±0.50

喬訊電子工業股份有限公司
CHYAO SHIUNN
ELECTRONIC INDUSTRIAL LTD.

PART NO JS-1149-XX(XX)XX

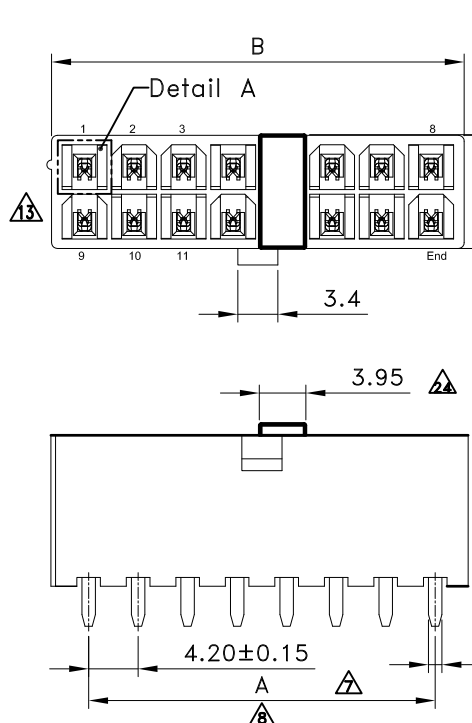
4.20mm Dual-Row Wire to Board Power Connector

APPROVED BY	SCALE	UNIT	TOLERANCE	LTR	REVISION RECORD	NAME	DATE	LTR	REVISION RECORD	NAME	DATE
張育瑞		mm	.0 ±0.30	△	圖面遺失	余秀麗	2005/05/15	△	變更SM材質料號及增加顏色	林宛盈	2016/05/30
CHECKED BY	PROJ	VER NO.	.00 ±0.20	△	圖面遺失			△	新增GW材質選項	曾慶根	2017/03/06
周家慶		a9	.000 ±0.10	△	圖面遺失	劉蓮花	2007/08/10	△			
DRAWN BY	DATE	SIZE	ANGLE		修改圖面內容	黃科源	2008/07/23	CUSTOMER			
曾慶根	2017/03/06	A4	0° ±1°	△	增加尺寸標柱	黃科源	2008/08/28				
			0° ±	△	圖面合併；尺寸做修改	王誠賢	2011/07/29				
			SHEET	1/1	增加一個材質選項	林謙豪	2012/01/06	Conforms to The RoHS Instruction			

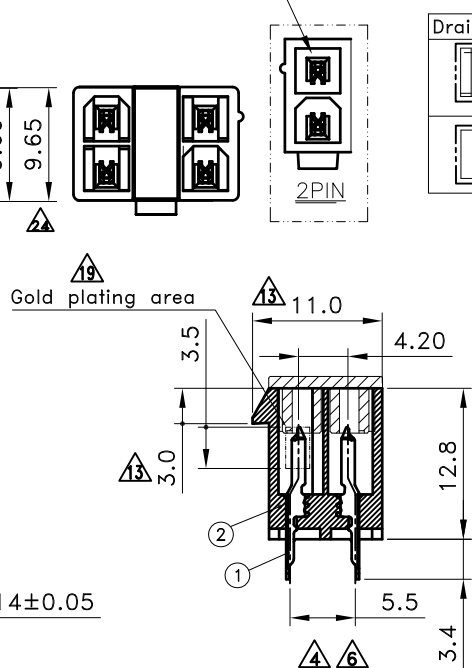


Recommended PCB Layout
General tolerance ±0.05

Poles	Dimensions(mm)			
	A	Tolerance	B	Tolerance
2	---	±0.30	5.60	±0.30
4	---		9.80	
6	8.40		14.00	
8	12.60	±0.40	18.20	±0.40
10	16.80		22.40	
12	21.00		26.60	
14	25.20	±0.50	30.80	±0.50
16	29.40		35.00	
18	33.60		39.20	
20	37.80	±0.50	43.40	±0.50
22	42.00		47.60	
24	46.20		51.80	



Without drain holes Detail A



Drain Hole	Part Code
	JS-1150-XX
	JS-1150H-xx

■ SPECIFICATIONS

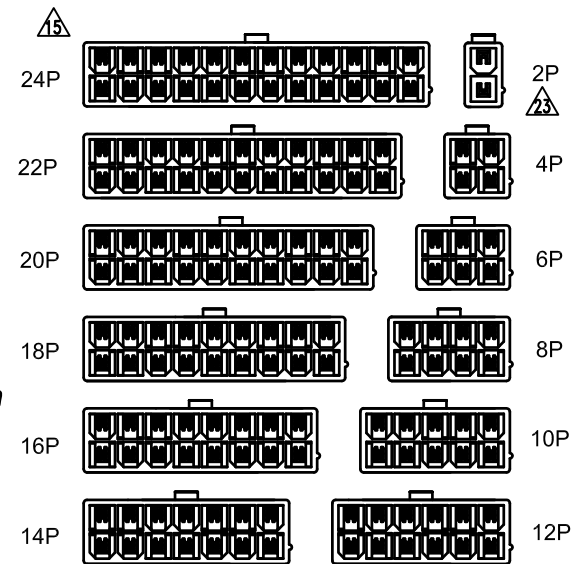
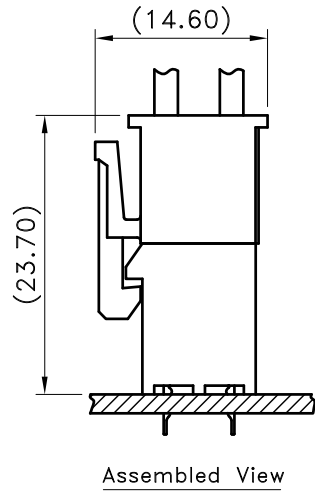
- Current Rating: 7A AC/DC
- Withstanding Voltage: 1,500V AC/minute
- Insulation Resistance: 1,000M Ω min
- Temperature Range: -40°C to +105°C
- Contact Resistance: 20m Ω max

- ⑤ Packing Type
Blank : Bag
/A : Tube
/T : Tray
/R : Reel&Tape (With Cap)

■ WAFER

- Part No. : JS-1150 X - XX (XX) XX XX XX
- Product Code ① ② ③ ④ ⑤ ⑥
- ① Drain Hole Type
Blank : Drain Hole
H : W/O Drain Hole
- ② Poles : 02~24
- ③ Base Material
Blank : Nylon 66 UL94V-2; COLOR: NATURE
V0 : Nylon 66 UL94V-0 ; COLOR: WHITE
GW : Nylon 66 UL94V-0 (Glow Wire)
- ④ Color : Blank : Nature (Standard)
BK : Black (For V0 , V2)
R : Red
BU : Blue
Y : Yellow

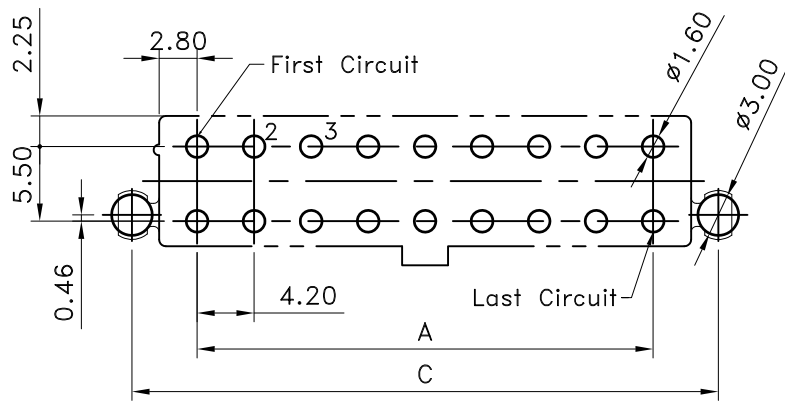
- ⑥ Plated : Blank: 120u" min. Tin over 35u" min. NICKEL
NM: 50u" min. Matte Tin plating over 50u" NICKEL
G4: 15u" min. Au over 50u" min. NICKEL
G5: 120u" min. Tin over 35u" min. NICKEL Gold plating area 30u"
- Material :
1. Contact : Brass, Tin Plated
2. Base : Refer the above options
3. Cap : Refer the above options



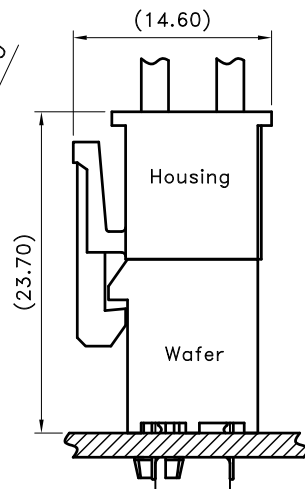
喬訊電子工業股份有限公司
CHYAO SHIUNN
ELECTRONIC INDUSTRIAL LTD.

APPROVED BY	SCALE	UNIT	TOLERANCE	LTR	REVISION RECORD	NAME	DATE	LTR	REVISION RECORD	NAME	DATE
施威光		mm	.0 ±0.30	▲	增加PIN針鍍霧錫料號	鄭小嬌	2014/03/04	▲	增加霧錫電鍍規格標示	Eddie	2020/08/11
CHECKED BY	PROJ	VER NO.	.00 ±0.20	▲	刪除模號標示	鄭小嬌	2014/03/04	▲	修正2PIN圖示	謝君	2021/07/23
劉娜		α24	.000 ±0.10	▲	刪除霧錫料號, 新增G料號, 顏色	林宛盈	2016/05/30	▲	增加蓋帽卷裝選項	謝君	2023/08/21
DRAWN BY	DATE	SIZE	ANGLE		依 ECR-00000160 修改產品敘述	李柏昇	2016/08/05	CUSTOMER			
謝君	2023/08/21	A4	0°	±1°	增加鍍金30u規格選項&GW材質	劉娜	2019/02/26				
			.0°	±	增加鍍15u" Au和霧錫規格選項	謝君	2019/11/12				
			SHEET	1/1	更正電鍍規格霧錫, 鍍底50u"	Eddie	2019/11/15	Conforms to The RoHS Instruction			

PART NO JS-1150X-XX(XX)XX
4.20mm D/R WIRE TO BOARD POWER CONNECTOR

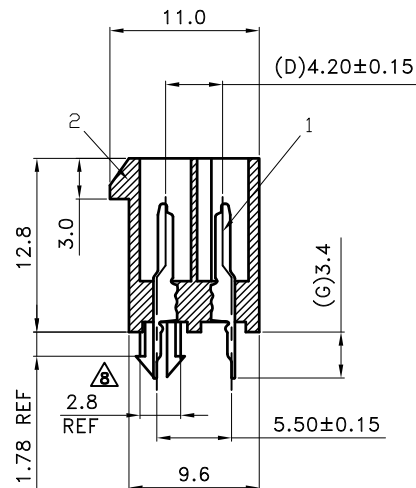
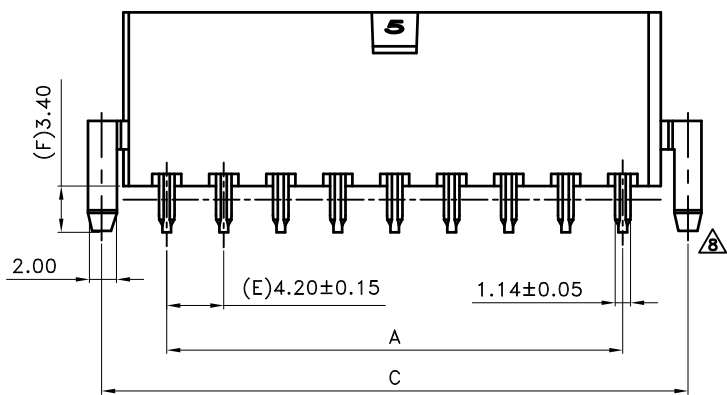
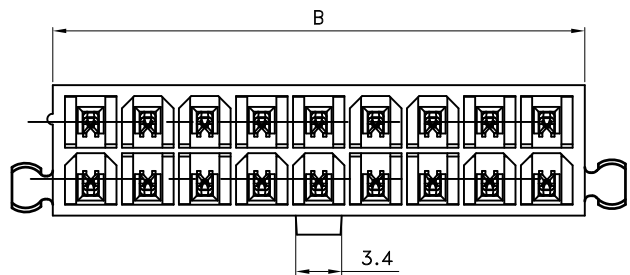


Recommended PCB Layout
TOLERANCE ±0.05



Recommended Assembly

Poles	Dimensions(mm)		
	A	B	C
2	----	5.60±0.30	9.40±0.30
4	4.20±0.15	9.80±0.30	13.60±0.30
6	8.40±0.20	14.00±0.30	17.80±0.30
8	12.60±0.20	18.20±0.30	22.00±0.30
10	16.80±0.30	22.40±0.40	26.20±0.30
12	21.00±0.30	26.60±0.40	30.40±0.30
14	25.20±0.30	30.80±0.40	34.60±0.30
16	29.40±0.30	35.00±0.40	38.80±0.30
18	33.60±0.40	39.20±0.50	43.00±0.30
20	37.80±0.40	43.40±0.50	47.20±0.30
22	42.00±0.40	47.60±0.50	51.40±0.30
24	46.20±0.40	51.80±0.50	55.60±0.30

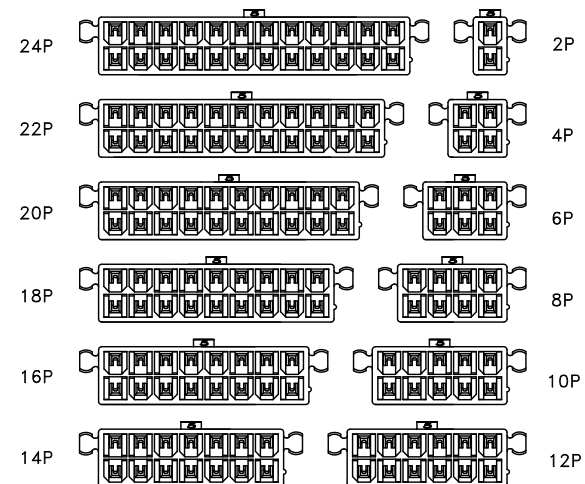


■ SPECIFICATIONS

- Current Rating : 7A AC/DC
- Withstanding Voltage : 1,500V AC/minute
- Insulation Resistance : 1,000MΩ min
- Temperature Range : - 40°C to + 105°C
- Contact Resistance : 20mΩ max

■ WAFER

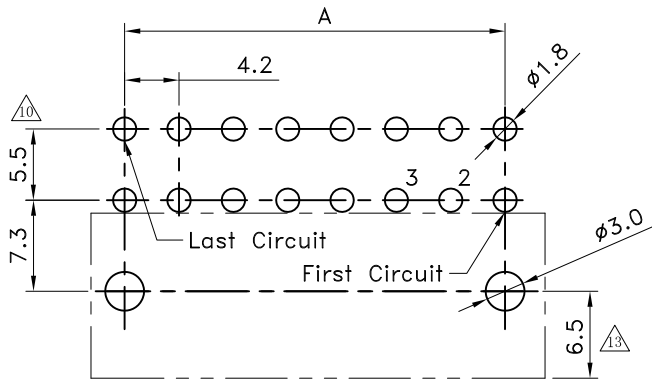
- Part No. : JS - 1151 - XX(XX)XX XX
- ① Poles : 02 ~ 24
- ② Material : Blank : Nylon 66 UL94V-2
V0 : Nylon 66 UL94V-0
PA : PA46 UL94V-0;(Part No : 02 ~ 10P)
GW : Nylon 66 UL94V-0 (Glow Wire)
- ③ Color : Blank : Nature
R : Red
BU : Blue
Y : Yellow
- ④ Package : Blank : bag
/A:Tube(04~24PIN)
/T:Tray(06~24PIN)
- Poles : 2-24(Straight)
- Material : 1.Contact : Brass, Tin Plated
2.Base : Refer the above narrative



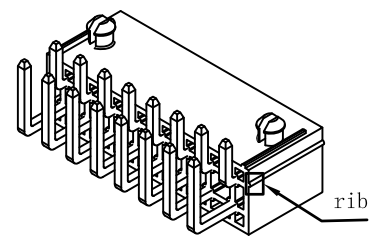
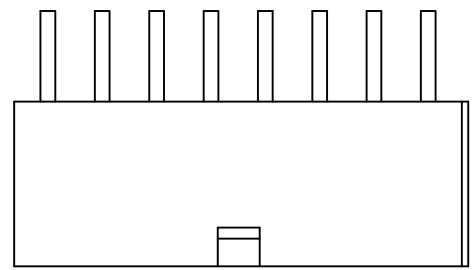
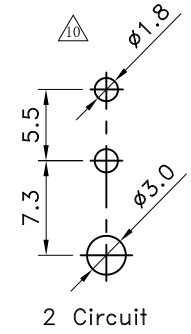
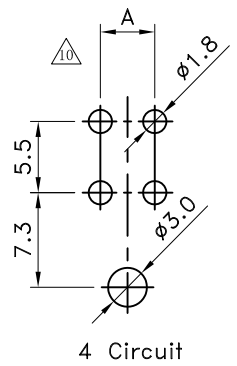
喬訊電子工業股份有限公司
CHYAO SHIUNN
ELECTRONIC INDUSTRIAL LTD.

PART NO JS-1151-XX(XX)XX
4.20mm D/R Power Connectors Wafer

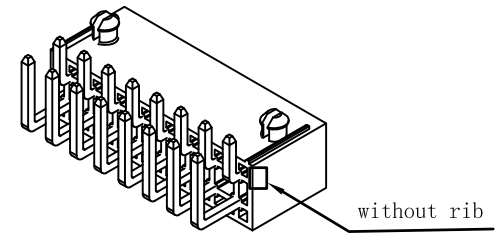
APPROVED BY	SCALE	UNIT	TOLERANCE	LTR	REVISION RECORD	NAME	DATE	LTR	REVISION RECORD	NAME	DATE
施咸光		mm	.0 ±0.30	△	修正柱子外觀與實物相同	吳弘文	15/10/12	△			
CHECKED BY	PROJ	VER NO.	.00 ±0.20	△	新增G材質及顏色, 修改尺寸	林宛盈	16/05/30	△			
周家慶		a14	.000 ±0.10	△	依ECR-00000160修改產品敘述	Tom Lee	16/08/05	△			
周家慶		SIZE	ANGLE	△	增加管裝包裝選項及PA料能作的PIN位	藍美娜	17/03/02		CUSTOMER		
DRAWN BY	DATE	SIZE	0° ±1°	△	02PIN產品管裝時出現異常, 故修正包裝說明	周家慶	17/08/25				
曾慶根	2019/03/08	A4	0° ±	△	新增包裝方式盤裝選項	Tom Lee	18/01/24		Conforms to The RoHS Instruction		
			SHEET 1/1	△	G料選項變更為GW選項	曾慶根	2019/03/08				



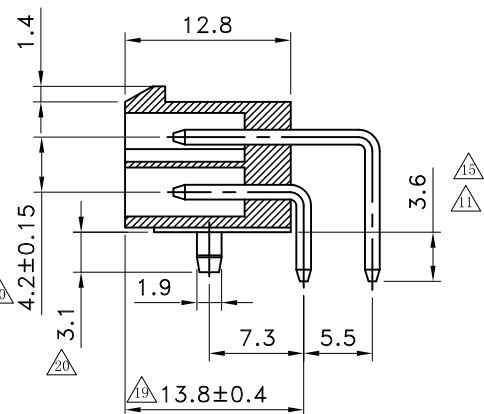
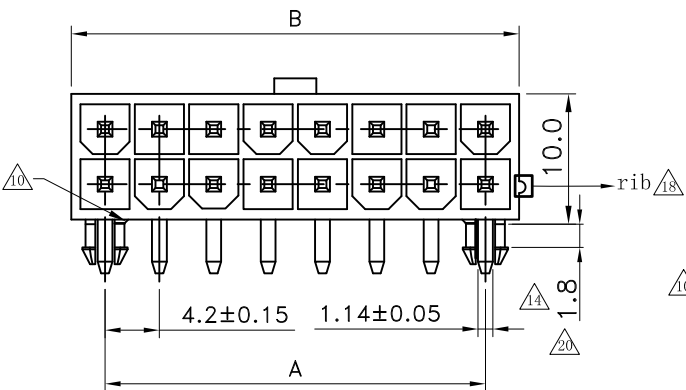
Recommended PCB Layout
General Tolerance ±0.05



(standard type)



(Without rib type)

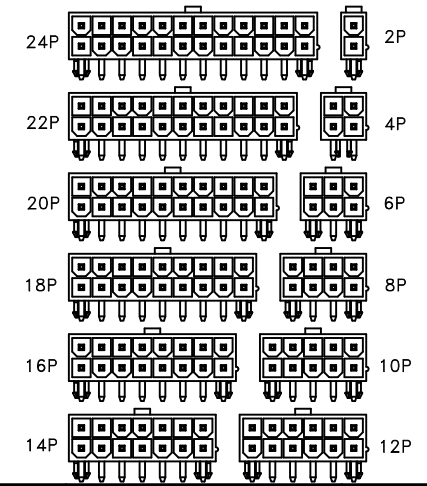


Poles	Dimensions(mm)	
	A	B
2	----	5.60±0.30
4	4.20±0.20	9.80±0.30
6	8.40±0.20	14.00±0.30
8	12.60±0.20	18.20±0.30
10	16.80±0.30	22.40±0.40
12	21.00±0.30	26.60±0.40
14	25.20±0.30	30.80±0.40
16	29.40±0.30	35.00±0.40
18	33.60±0.40	39.20±0.50
20	37.80±0.40	43.40±0.50
22	42.00±0.40	47.60±0.50
24	46.20±0.40	51.80±0.50

- SPECIFICATIONS
- Voltage Rating : 250 V AC/DC
 - Current Rating : 7A AC/DC
 - Withstanding Voltage : 1,500V AC/minute
 - Insulation Resistance : 1,000M Ω min
 - Temperature Range : - 40℃ to + 105℃
 - Contact Resistance : 20m Ω max

- WAFER
- Part No. : JS-1153 - XX XX (XX) XX XX
 - ① Poles:02~24P ① ② ③ ④ ⑤
 - ② Material Base: Blank
WR:Without rib
 - ③ Material Base
Blank : Nylon 66 UL94V-2 Halogen Free
VO : Nylon 66 UL94V-0 Halogen Free
PA : PA46 UL94V-0 With Halogen
GW : Nylon 66 UL94V-0 (Glow Wire)
 - ④ Color : Blank : Nature
BK : Black
BK7C : Black 7C
OR : Orange
BU : Blue
R : Red(186~185C)
Y : Yellow
 - ⑤ Package : Blank : Box
/D : Bag

Material: Contact : Brass, 120u" min Tin over all 30u" Ni



喬訊電子工業股份有限公司
CHYAO SHIUNN
ELECTRONIC INDUSTRIAL LTD.

APPROVED BY	SCALE	UNIT	TOLERANCE	LTR	REVISION RECORD	NAME	DATE	LTR	REVISION RECORD	NAME	DATE	
施咸光	1:1	mm	.0 ±0.30	△10	修改Layout圖 6.7尺寸為6.5與實物一致	黃廣珍	2013/09/24	△10	依ECR-201610001修改尺寸公差	曾慶根	2016/10/26	
CHECKED BY	PROJ	VER NO.	.00 ±0.20	△11	增加定位柱尺寸標示	吳弘文	2014/03/25	△11	依ECR增加塑膠紅色(186-185C)參數	植濟余	2016/12/26	
張祐誠		a22	.000 ±0.10	△12	修改尺寸公差	鄭小嬌	2015/02/02	△12	使用GW材料替代G料	周家慶	2019/02/26	
DRAWN BY	DATE	SIZE	ANGLE	△13	增加BK7C顏色選擇	曾慶根	2015/06/12	CUSTOMER				
周家慶	2019/02/26	A4	0° ±1°	△14	增加G材料及顏色	林宛盈	2016/05/06					
			.0° ±	△15	料號內容說明增加:WR為無肋係選項	藍美娜	2016/08/04					
SHEET 1/1					△16	依ECR-00000160修改產品敘述	Tom Lee	2016/08/10	Conforms to The RoHS Instruction			

PART NO JS-1153-XXXX(XX)XXXX
4.20mm D/R Power Connectors Wafer