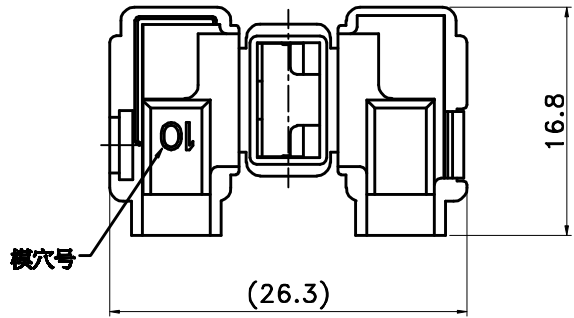


A4

REV.	ECN.NO	REVISIONS	REV.DRAWN	DATE
1	—			
2	—			
3	—			

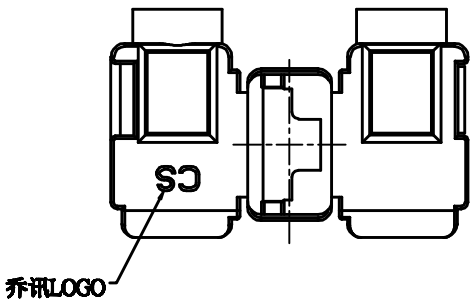
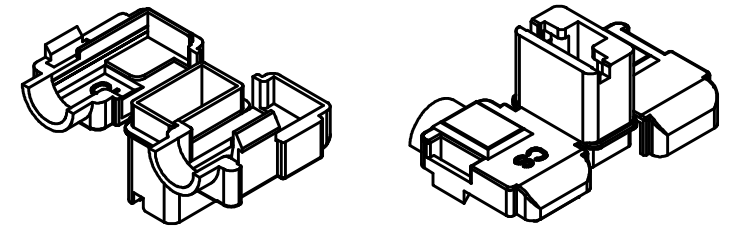
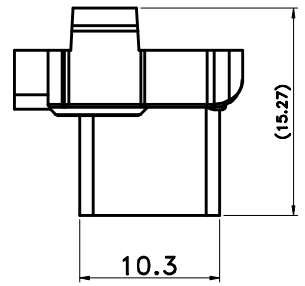
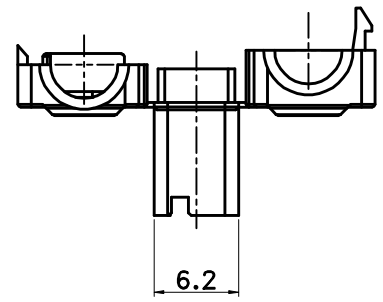


■ SPECIFICATIONS

- Withstanding Voltage : 2000V AC/minute
- Insulation Resistance : 1000M Ω min.
- Temperature Range : -25℃ to +105℃

■ PIN HEADER

- Part No. :JS-77754
- Material : Nylon 66 UL94V-0(Glow Wire)
- Qty : 1000PCS/Bag



TOLERANCE	ANGLE	UNITS	mm	NAME(INTENDED USE)							
.0 ±0.3	0° ±1°	MAT'S		Housing							
.00 ±0.2	.0° ±	SEE NOTE		PART NO.(INTENDED USE)	TITLE:						
.000 ±0.1		FINISH		APPV'D	3.98mm Crimp Style Connectors						
<small>THESE DRAWINGS AND SPECIFICATIONS ARE THE PROPERTY OF QIAO SHUN ELECTRONIC CO.,LTD AND SHALL NOT BE REPRODUCED, COPIED OR USED IN ANY MANNER WITHOUT THE PRIOR WRITTEN CONSENT OF QIAO SHUN ELECTRONIC CO.,LTD.</small>				CHK'D	DWG NO.						
Q'TY				DR':	<table border="1"> <tr> <td>SCALE</td> <td>SHEET</td> <td>REV</td> </tr> <tr> <td>1:1</td> <td>1/1</td> <td>/</td> </tr> </table>	SCALE	SHEET	REV	1:1	1/1	/
SCALE	SHEET	REV									
1:1	1/1	/									

符合环境管理物质

