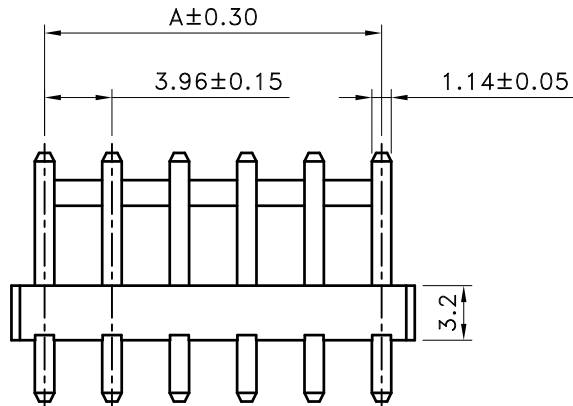
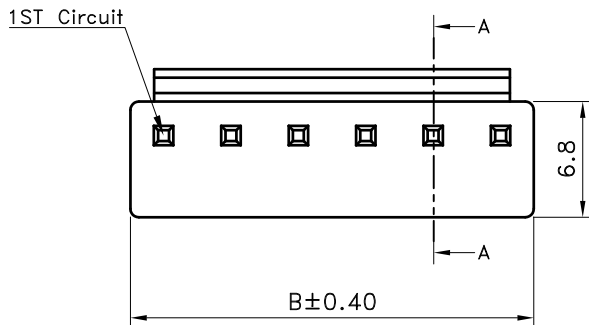
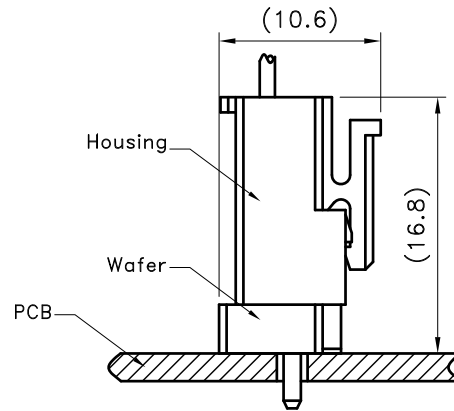


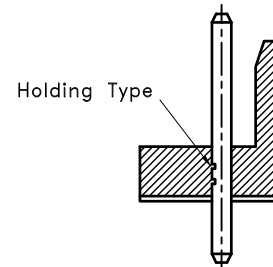
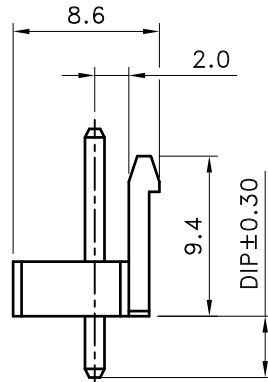
Recommend PCB Layout  
General tolerance ±0.05



Poles	Dimension(mm)		Poles	Dimension(mm)	
	A	B		A	B
2	3.96	7.92	9	31.68	35.58
3	7.92	11.82	10	35.64	39.54
4	11.88	15.78	11	39.60	43.50
5	15.84	19.74	12	43.56	47.46
6	19.80	23.70	13	47.52	51.42
7	23.76	27.66	14	51.48	55.38
8	27.72	31.62	15	55.44	59.34



Recommend Assembly Dim



A-A SEC

**SPECIFICATIONS**

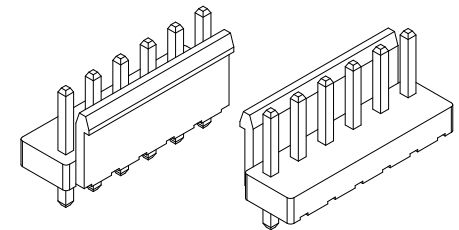
- Voltage Rating : 250V AC/DC
- Current Rating : 7A AC/DC
- Withstanding Voltage : 1500V AC/minute
- Insulation Resistance : 1000MΩ min
- Temperature Range : - 25℃J to + 85℃J
- Contact Resistance : 10mΩ max

**WAFER**

- Part No. : JS-1120-XX ( XX X XX ) XX GW  
① ② ③ ④ ⑤

- ① Poles No.:2~15
- ② TYPE: Blank: Normal Type  
S: Holding Type
- ③ Plated: Blank: Tin Plated  
G: Gold Flash
- ④ DIP Length: Blank: 3.6mm  
D: 3.2mm  
D1: 2.7mm
- ⑤ Color: Blank: Natural  
BK: Black  
BU: Blue(660C)  
R: Red(199C)  
G: Grey

- Material : Contact : Brass  
Base : Nylon 66 UL94V-0(Glow Wire)
- Mating Housing : JS-1121-XX
- Mating Terminal : JS-1121-T
- Package: bag

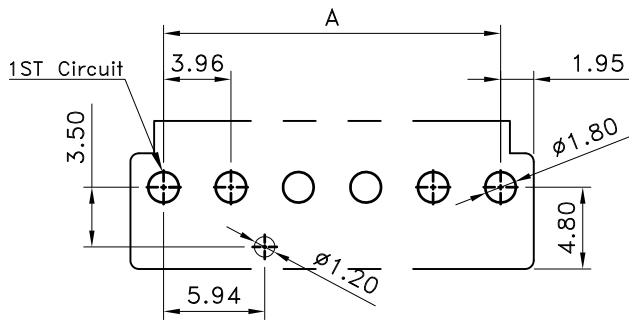


喬訊電子工業股份有限公司  
CHYAO SHIUNN  
ELECTRONIC INDUSTRIAL LTD.

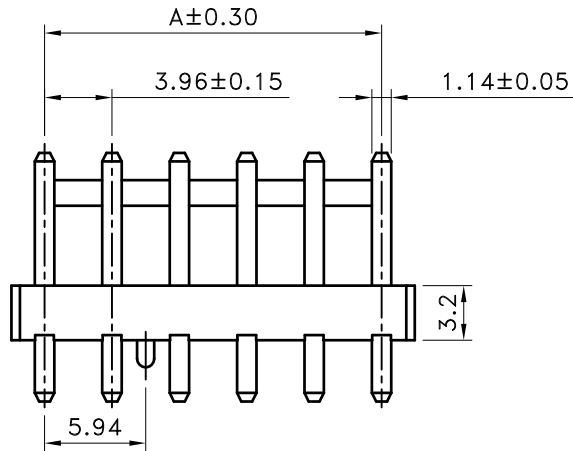
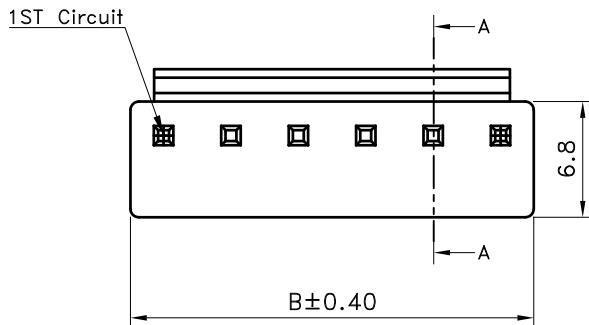
PART NO JS-1120-XX(XXXXX)XXGW

3.96mm Wire to Board Connector

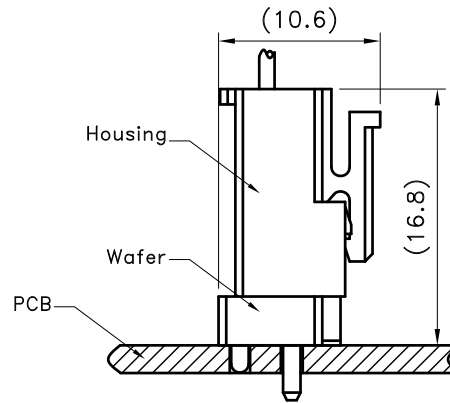
APPROVED BY	SCALE	UNIT	TOLERANCE	LTR	REVISION RECORD	NAME	DATE	LTR	REVISION RECORD	NAME	DATE
張育瑞		mm	.0 ±0.30	△				△			
CHECKED BY	PROJ	VER NO.	.00 ±0.20	△				△			
周家慶		a0	.000 ±0.10	△				△			
DRAWN BY	DATE	SIZE	ANGLE						CUSTOMER		
譚玉華	2014/12/04	A4	0° ±1°	△					Conforms to The RoHS Instruction		
			0° ±	△							
			SHEET	1/1	△						



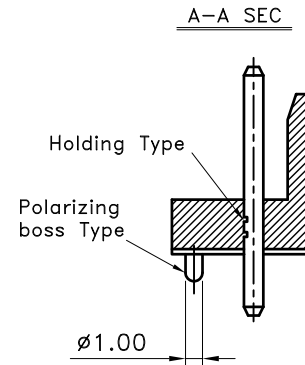
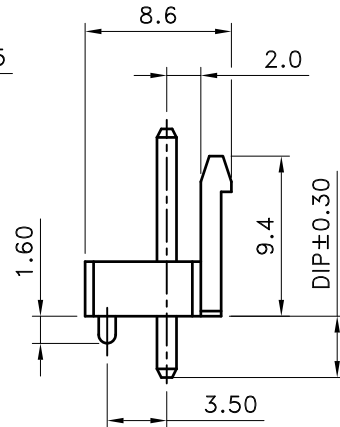
Recommend PCB Layout  
General tolerance ±0.05



Poles	Dimension(mm)		Poles	Dimension(mm)	
	A	B		A	B
3	7.92	11.82	10	35.64	39.54
4	11.88	15.78	11	39.60	43.50
5	15.84	19.74	12	43.56	47.46
6	19.80	23.70	13	47.52	51.42
7	23.76	27.66	14	51.48	55.38
8	27.72	31.62	15	55.44	59.34
9	31.68	35.58			



Recommend Assembly Dim



■ SPECIFICATIONS

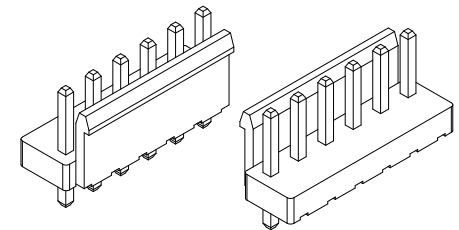
- Voltage Rating : 250V AC/DC
- Current Rating : 7A AC/DC
- Withstanding Voltage : 1500V AC/minute
- Insulation Resistance : 1000MΩ min
- Temperature Range : - 25℃J to + 85℃J
- Contact Resistance : 10mΩ max

■ WAFER

- Part No. : JS-1120-XX X ( P X XX ) XX GW  
① ② ③ ④ ⑤ ⑥

- ① Poles No.:3~15
- ② TYPE: Blank: Normal Type  
S: Holding Type
- ③ Structure: P: With Polarizing boss
- ④ Plated: Blank: Tin Plated  
G: Gold Flash
- ⑤ DIP Length: Blank: 3.6mm  
D: 3.2mm  
D1: 2.7mm
- ⑥ Color: Blank: Natural  
BK: Black  
BU: Blue(660C)  
R: Red(199C)  
G: Grey

- Material : Contact : Brass  
Base : Nylon 66 UL94V-0(Glow Wire)
- Mating Housing : JS-1121-XX
- Mating Terminal : JS-1121-T
- Package: bag



喬訊電子工業股份有限公司  
CHYAO SHIUNN  
ELECTRONIC INDUSTRIAL LTD.

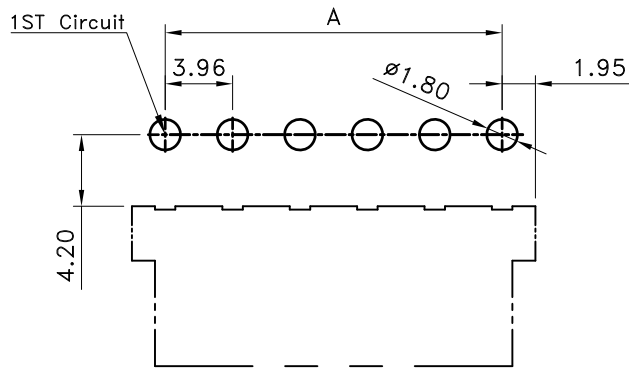
PART NO JS-1120-XXX(PXXXX)XXGW

3.96mm Wire to Board Connector

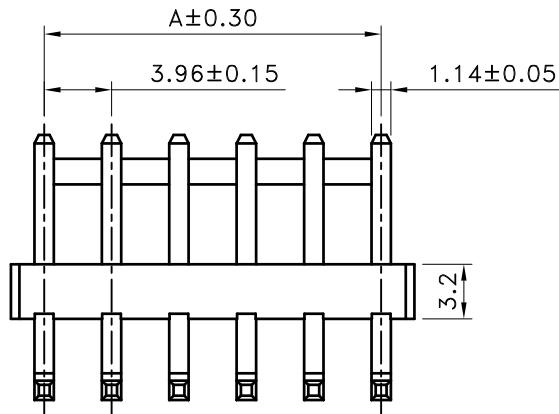
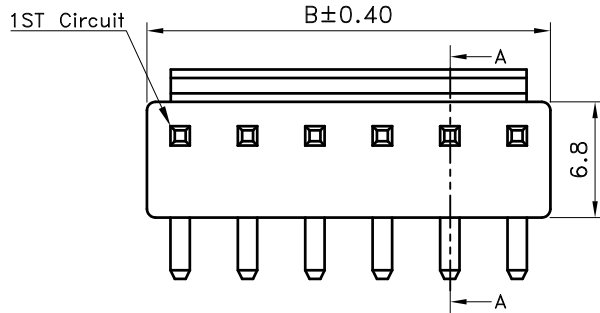
APPROVED BY	SCALE	UNIT	TOLERANCE	LTR	REVISION RECORD	NAME	DATE	LTR	REVISION RECORD	NAME	DATE
張育瑞		mm	.0 ±0.30	△				△			
CHECKED BY	PROJ	VER NO.	.00 ±0.20	△				△			
周家慶		a0	.000 ±0.10	△				△			
DRAWN BY	DATE	SIZE	ANGLE								
譚玉華	2014/12/04	A4	0° ±1°	△							
			.0° ±	△							
			SHEET 1/1	△							

CUSTOMER

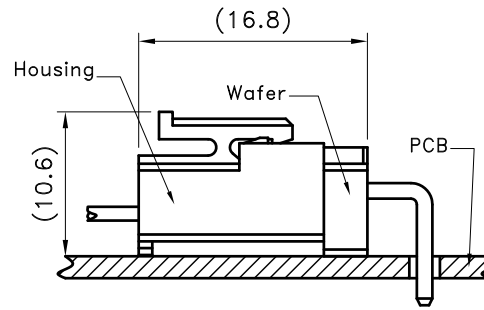
Conforms to The RoHS Instruction



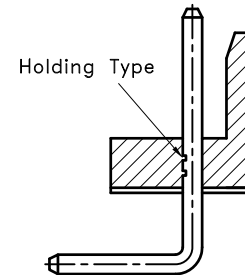
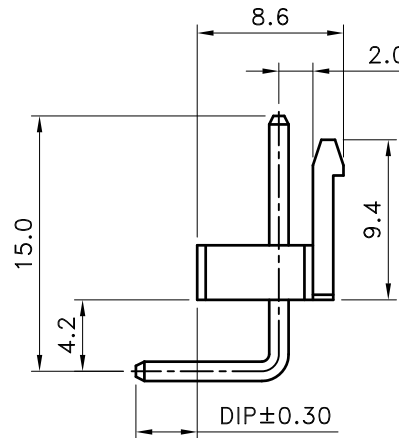
Recommend PCB Layout  
General tolerance  $\pm 0.05$



Poles	Dimension(mm)		Poles	Dimension(mm)	
	A	B		A	B
3	7.92	11.82	10	35.64	39.54
4	11.88	15.78	11	39.60	43.50
5	15.84	19.74	12	43.56	47.46
6	19.80	23.70	13	47.52	51.42
7	23.76	27.66	14	51.48	55.38
8	27.72	31.62	15	55.44	59.34
9	31.68	35.58			



Recommend Assembly Dim



### SPECIFICATIONS

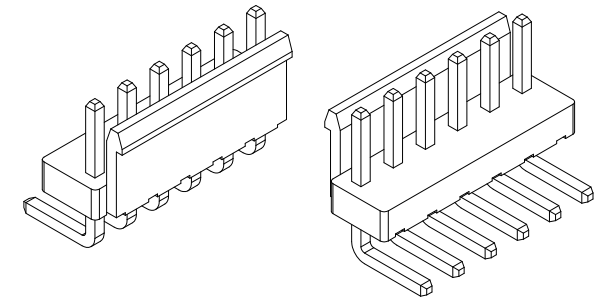
- Voltage Rating : 250V AC/DC
- Current Rating : 7A AC/DC
- Withstanding Voltage : 1500V AC/minute
- Insulation Resistance : 1000M $\Omega$  min
- Temperature Range : - 25 $\phi$ J to + 85 $\phi$ J
- Contact Resistance : 10m $\Omega$  max

### WAFER

- Part No. : JS-1120R-XX ( XX X XX ) XX GW  
① ② ③ ④ ⑤

- ① Poles No.: 2~15
- ② TYPE: Blank: Normal Type  
S: Holding Type
- ③ Plated: Blank: Tin Plated  
G: Gold Flash
- ④ DIP Length: Blank: 3.6mm  
D: 3.2mm  
D1: 2.7mm
- ⑤ Color: Blank: Natural  
BK: Black  
BU: Blue(660C)  
R: Red(199C)  
G: Grey

- Material : Contact : Brass  
Base : Nylon 66 UL94V-0(Glow Wire)
- Mating Housing : JS-1121-XX
- Mating Terminal : JS-1121-T
- Package: bag



喬訊電子工業股份有限公司  
CHYAO SHIUNN  
ELECTRONIC INDUSTRIAL LTD.

PART NO JS-1120R-XX(XXXXX)XXGW

3.96mm Wire to Board Connector

APPROVED BY	SCALE	UNIT	TOLERANCE	LTR	REVISION RECORD	NAME	DATE	LTR	REVISION RECORD	NAME	DATE
張育瑞		mm	.0 $\pm 0.30$	△				△			
CHECKED BY	PROJ	VER NO.	.00 $\pm 0.20$	△				△			
周家慶		a	.000 $\pm 0.10$	△				△			
DRAWN BY	DATE	SIZE	ANGLE								
譚玉華	2014/12/04	A4	0° $\pm 1°$	△							
			.0° $\pm$	△							
			SHEET 1/1	△							

CUSTOMER

Conforms to The RoHS Instruction