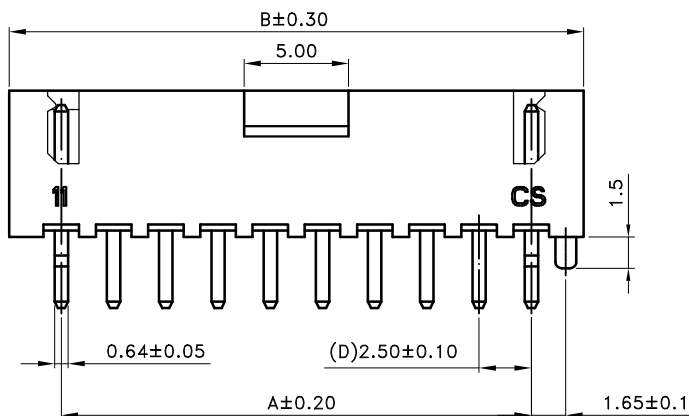
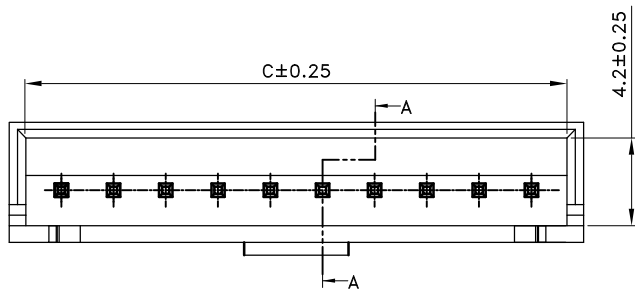


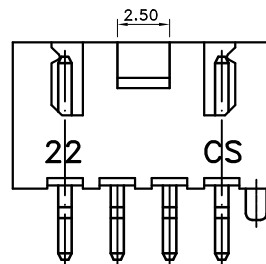
Recommended PCB Layout(Top View)

General tolerance ±0.05

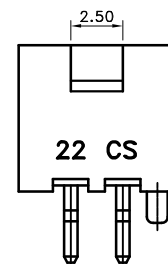
Poles	Dimension(mm)			Poles	Dimension(mm)		
	A	B	C		A	B	C
2	2.50	7.50	6.00	12	27.50	32.50	31.00
3	5.00	10.00	8.50	13	30.00	35.00	33.50
4	7.50	12.50	11.00	14	32.50	37.50	36.00
5	10.00	15.00	13.50	15	35.00	40.00	38.50
6	12.50	17.50	16.00	16	37.50	42.50	41.00
7	15.00	20.00	18.50	17	40.00	45.00	43.50
8	17.50	22.50	21.00	18	42.50	47.50	46.00
9	20.00	25.00	23.50	19	45.00	50.00	48.50
10	22.50	27.50	26.00	20	47.50	52.50	51.00
11	25.00	30.00	28.50				



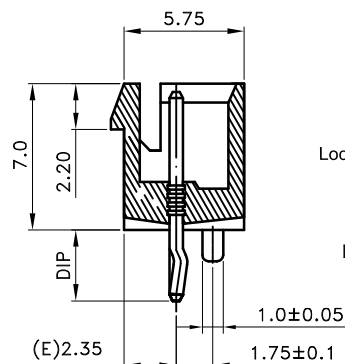
5~20 Circuit



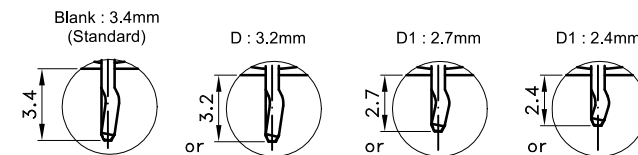
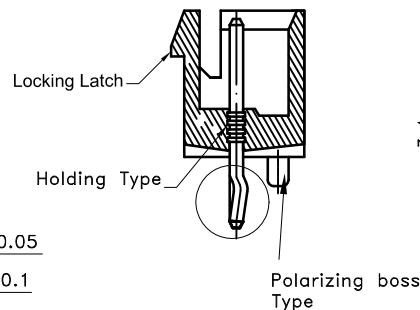
3~4 Circuit



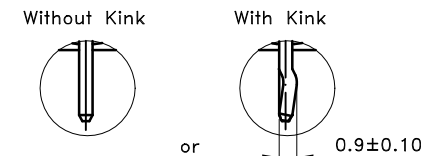
2 Circuit



A-A Section



DIP Length



Structure Reference

■ SPECIFICATIONS

- Rated Voltage : 250 V AC/DC
- Current Rating : 3A AC/DC.
- Withstanding Voltage : 1,000V AC/minute
- Insulation Resistance : 1,000MΩ min.
- Temperature Range : - 25°C to + 85°C
- Contact resistance : 20mΩ max.

■ WAFER

- Part No. : JS-1001-XX XX X (XX X X) XX XX GW

① ② ③ ④ ⑤ ⑥ ⑦ ⑧

- ① Poles No : 2~20
- ② Structure1 : Blank : Normal Type(Standard)  
P: Polarizing boss (1.65x1.75)
- ③ Structure2 : Blank : Normal Type(Standard)  
S : Holding Type
- ④ Plated : Blank : Bright-Tin Plated  
NM : Matte-Tin Plated  
G : Gold Plated
- ⑤ Kink Type: Blank : Without Kink(standard)  
K : With Kink
- ⑥ Dip Length: Blank : 3.4mm (standard)  
D : 3.2mm  
D1: 2.7mm  
D2: 2.4mm
- ⑦ Color : Blank : Nature  
R : Red(199C#)  
BK : BLACK  
BU : BLUE  
Y : YELLOW
- ⑧ Structure3 : Blank : Without Locking Latch(Standard)  
HK : With Locking Latch

- Material : 1. Contact : Brass  
2. Base : Nylon 66 UL94V-0(Glow Wire)
- Package : Bag

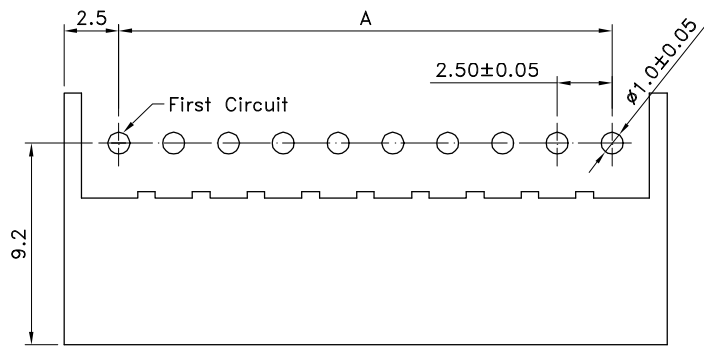


喬訊電子工業股份有限公司  
CHYAO SHIUNN  
ELECTRONIC INDUSTRIAL LTD.

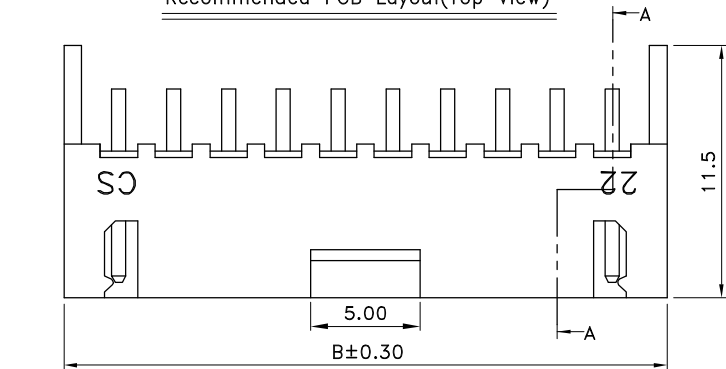
PART NO JS-1001-XXGW

2.50mm Disconnectable crimp style Wafer(Straight)

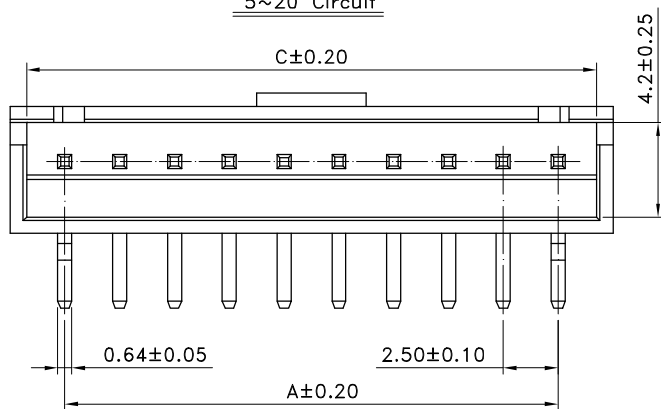
APPROVED BY	SCALE	UNIT	TOLERANCE	LTR	REVISION RECORD	NAME	DATE	LTR	REVISION RECORD	NAME	DATE
張育瑞		mm	.0 ±0.30	△				△			
CHECKED BY	PROJ	VER NO.	.00 ±0.20	△				△			
周慈雲		a0	.000 ±0.10	△				△			
DRAWN BY	DATE	SIZE	ANGLE					CUSTOMER			
林宛盈	2016/05/30	A4	0° ±1°	△				Conforms to The RoHS Instruction			
			.0° ±	△							
			SHEET 1/1	△							



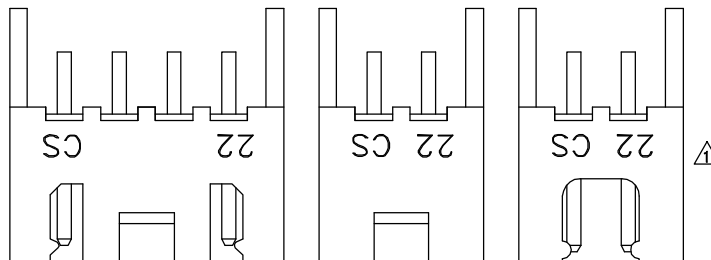
Recommended PCB Layout(Top View)



5~20 Circuit



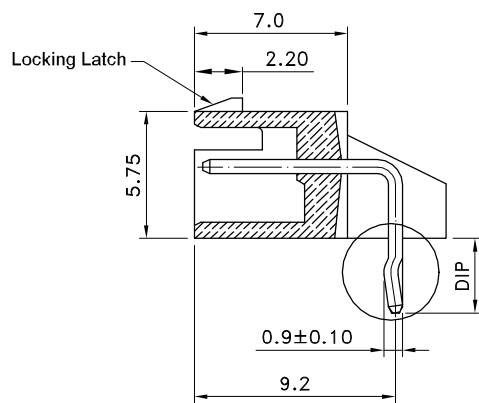
Poles	Dimension(mm)			Poles	Dimension(mm)		
	A	B	C		A	B	C
2	2.50	7.50	6.00	12	27.50	32.50	31.00
3	5.00	10.00	8.50	13	30.00	35.00	33.50
4	7.50	12.50	11.00	14	32.50	37.50	36.00
5	10.00	15.00	13.50	15	35.00	40.00	38.50
6	12.50	17.50	16.00	16	37.50	42.50	41.00
7	15.00	20.00	18.50	17	40.00	45.00	43.50
8	17.50	22.50	21.00	18	42.50	47.50	46.00
9	20.00	25.00	23.50	19	45.00	50.00	48.50
10	22.50	27.50	26.00	20	47.50	52.50	51.00
11	25.00	30.00	28.50				



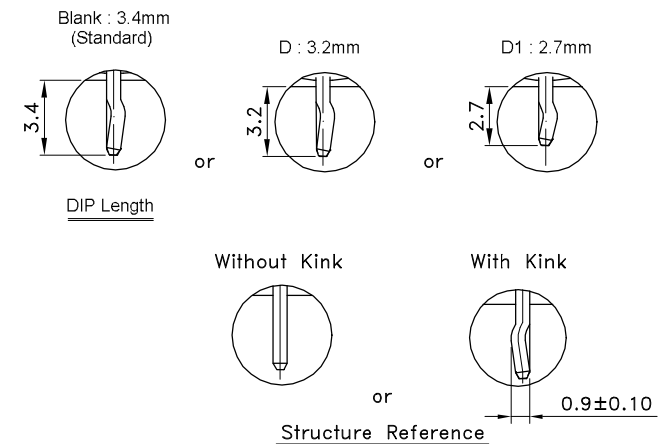
3~4 Circuit

2 Circuit

2 Circuit Without Locking Latch



A-A Section



- SPECIFICATIONS
- Rated Voltage : 250 V AC/DC
  - Current Rating : 3A AC/DC.
  - Withstanding Voltage : 1,000V AC/minute
  - Insulation Resistance : 1,000M Ω min.
  - Temperature Range : - 25 °C to + 85 °C
  - Contact resistance : 20m Ω max.
- WAFER
- Part No. : JS-1001R-XX (XX X X) XX XX GW  
① ② ③④ ⑤ ⑥
- ① Poles No : 2~20
- ② Plated Blank : Bright-Tin Plated  
NM : Matte-Tin Plated  
G : Gold Plated
- ③ Kink Type: Blank : Without Kink(standard)  
K : With Kink
- ④ Dip Length: Blank : 3.4mm (standard)  
D : 3.2mm  
D1 : 2.7mm
- ⑤ Color : Blank : Nature  
R : Red(199C#)  
BK : BLACK  
BU : BLUE  
Y : YELLOW
- ⑥ Structure : Blank : Without Locking Latch (standard)  
HK : With Locking Latch
- Material : 1. Contact : Brass  
2. Base : Nylon 66 UL94V-0(Glow Wire)
  - Package : Bag



喬訊電子工業股份有限公司  
CHYAO SHIUNN  
ELECTRONIC INDUSTRIAL LTD.

APPROVED BY	SCALE	UNIT	TOLERANCE	LTR	REVISION RECORD	NAME	DATE	LTR	REVISION RECORD	NAME	DATE
Tom Shih		mm	.0 ±0.30	▲	新增2P無Lock圖示	Eddie	2020/09/21	▲			
CHECKED BY	PROJ	VER NO.	.00 ±0.20	▲				▲			
Erin Chou			.000 ±0.10	▲				▲			
DRAWN BY	DATE	SIZE	ANGLE	▲					CUSTOMER		
Eddie	2020/09/21	A4	0° ±1°	▲					Conforms to The RoHS Instruction		
			.0° ±	▲							
			SHEET 1/1	▲							

PART NO JS-1001R-XXGW

2.50mm DIP series wire to board connector(Right Angle)