

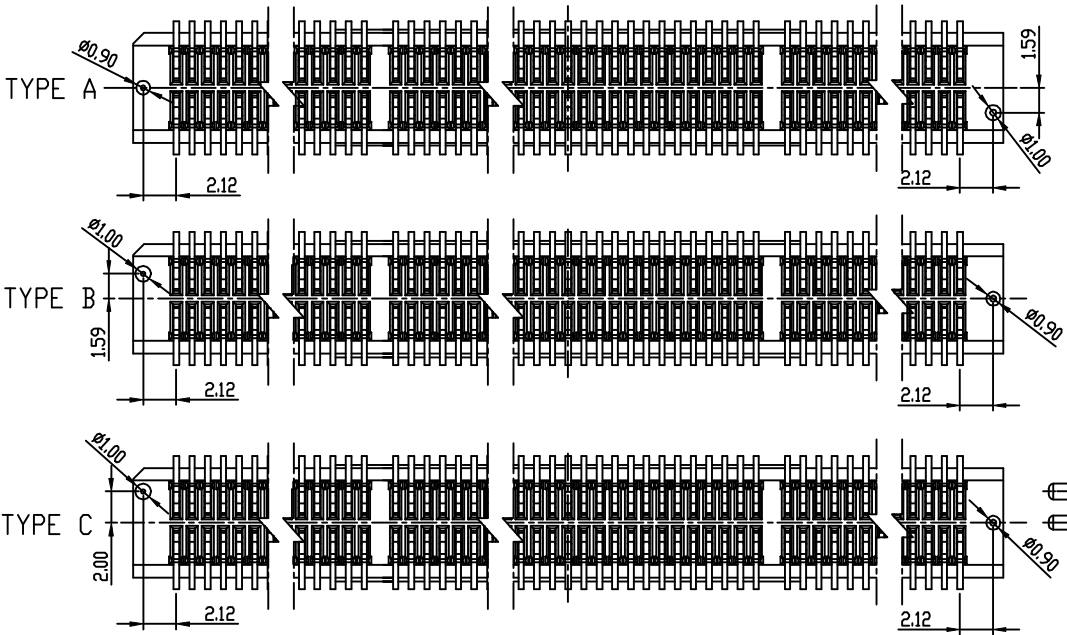
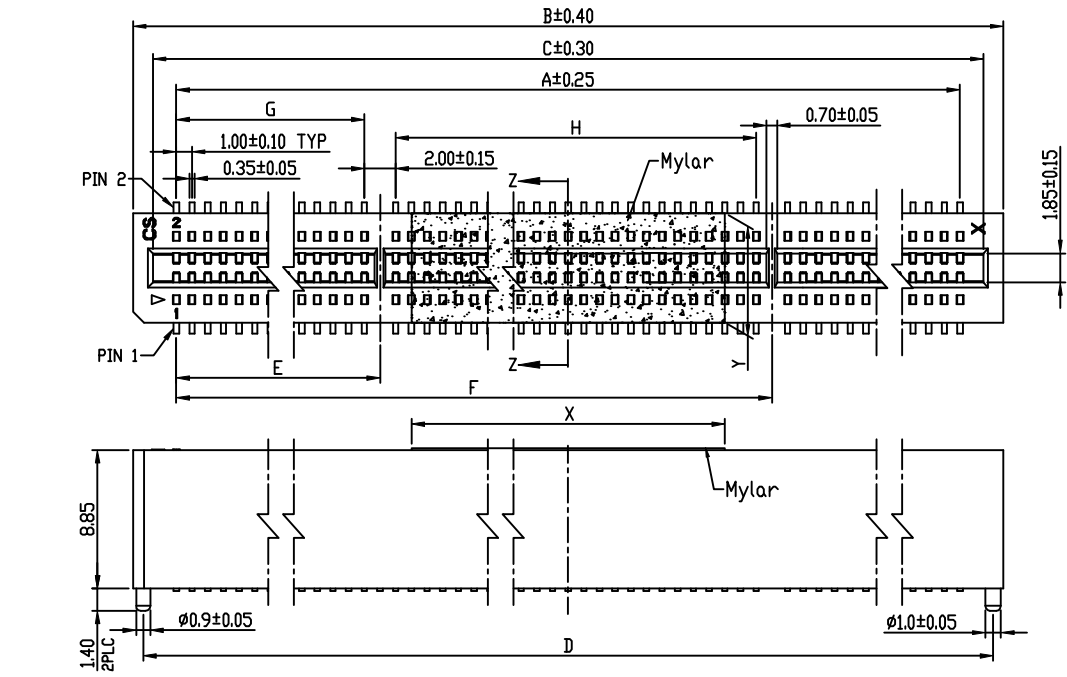
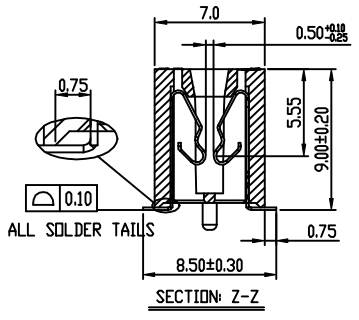
REV	ECN.NO.	REVISIONS	REV.DRAWN	DATE
E	BCN-08123	增加Mylar 规格:7x9mm	hejihuai	2008.12.29
F	/	增加规格	sunquan	2013.05.14
G	/	增加反向出料规格	sunquan	2014.02.13
H	/	去除98pin规格	sunquan	2014.03.13
I	/	增加120pin规格	sunquan	2015.03.25

**SPECIFICATIONS**

- . Reted Voltage : 300V AC/DC
- . Rated Current : 2A AC/DC
- . Insulation Resistance : 5000MΩ min
- . Temperature Range : -55°C to +105°C
- . Contact Resistance : 30mΩ max

**FEATURES**

- . Part No. : JS-1088-XXXXXX-XXX
- . Poles:
  - A: TYPE A
  - B: TYPE B
  - C: TYPE C
  - Blank: No adhibit MYLAR
  - ML: adhibit MYLAR
- . Blank: Forward feed
- . B: Backward feed
- . Blank: Normal
- . NH: Halogen Free
- . Blank: 半金雾锡 (Ni:>30μ", Au:>3μ", Sn:>100μ")
- . G3: 半金雾锡 (Ni:>50μ", Au:>10μ", Sn:>100μ")
- . Material : Contact :Copper Alloy, Tin Plated/Gold
- . Housing : High Temp.Plastic, Color:Black
- . Q'ty : 300 pcs/Reel
- . Halogen free product identification LOGO on the packing



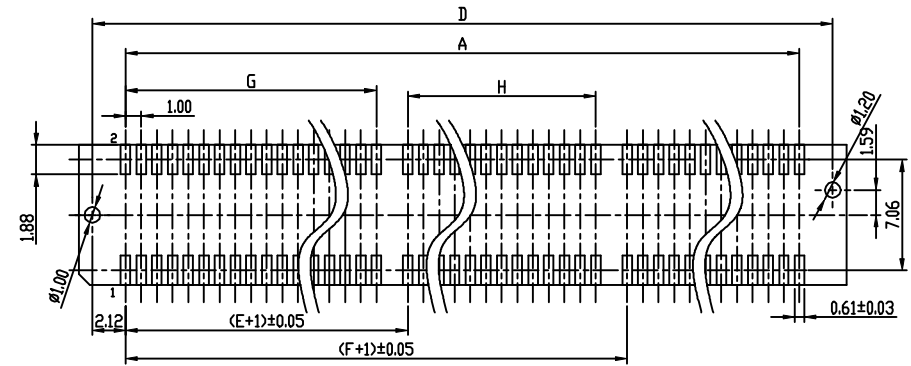
Poles	A	B	C	D	E	F	G	H	Mylar:X*Y
136	69.0	74.5	72.0	73.24	26.0	57.0	25.0	29.0	20.0*8.5
120	61.0	66.5	64.0	65.24	15.0	31.0	14.0	14.0	
116	59.0	64.5	62.0	63.24	15.0	31.0	14.0	14.0	
100	50.0	55.5	53.0	54.24	38.0	NA	37.0	NA	
78	39.0	44.5	42.0	43.24	15.0	NA	14.0	NA	
58	29.0	34.5	32.0	33.24	10.0	NA	9.0	NA	
48	24.0	29.5	27.0	28.24	9.0	NA	8.0	NA	
38	19.0	24.5	22.0	23.24	7.0	NA	6.0	NA	
14	7.0	12.5	10.0	11.24	2.0	NA	1.0	NA	
8	4.0	9.5	7.0	8.24	1.0	NA	NA	NA	

X.± 0.40	X.± 5.00°	UNITS mm	NAME(INTENDED USE)	CHYAO SHUINN ELECTRONIC (SHANGHAI) CO.,LTD.
.X± 0.30	.X± 2.00°		CUSTOMER	
.XX± 0.20	.XX± 1.00°	MAT'L	PART NO.(INTENDED USE)	TITLE:
.XXX± 0.10	.XXX± ---		JS-1088-XXXX	1.0 PITCH CARD EDGE SMT CONNECTOR
THESE DRAWINGS AND SPECIFICATIONS ARE THE PROPERTY OF CHYAO SHUINN ELECTRONIC CO., LTD. AND SHALL NOT BE REPRODUCED, COPIED OR USED IN ANY MANNER WITHOUT THE PRIOR WRITTEN CONSENT OF CHYAO SHUINN ELECTRONIC CO., LTD.			APPD:	DWG NO.:
Q'TY			CHKD:	020-0111-1088-XXXX
DR: sunquan 2013.05.13			SCALE	SHEET
			2/1	1/2
			REV.	/

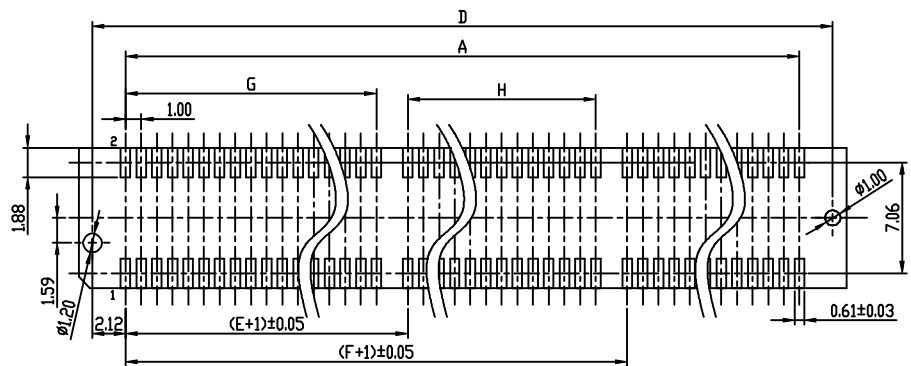
符合环境管理物质



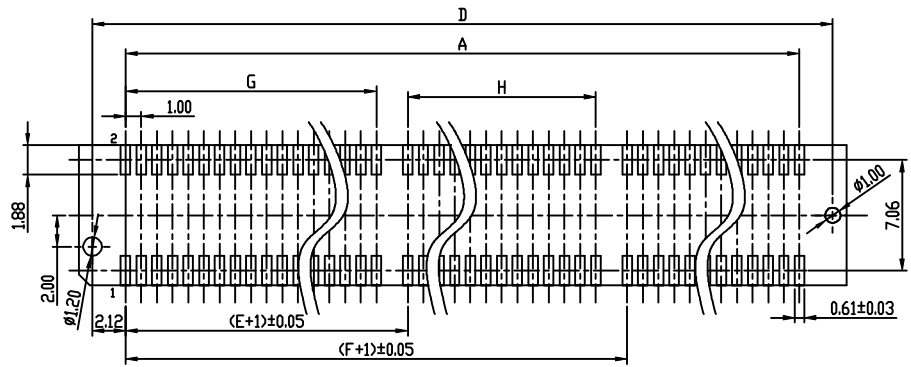
REV	ECN.NO.	REVISIONS	REV.DRAWN	DATE
E	BCN-08123	增加Mylar 规格:7x9mm	hejihuai	2008.12.29
F	/	增加规格	sunquan	2013.05.14
G	/	增加反向出料规格	sunquan	2014.02.13
H	/	去除98pin规格	sunquan	2014.03.13
I	/	增加120pin规格	sunquan	2015.03.25



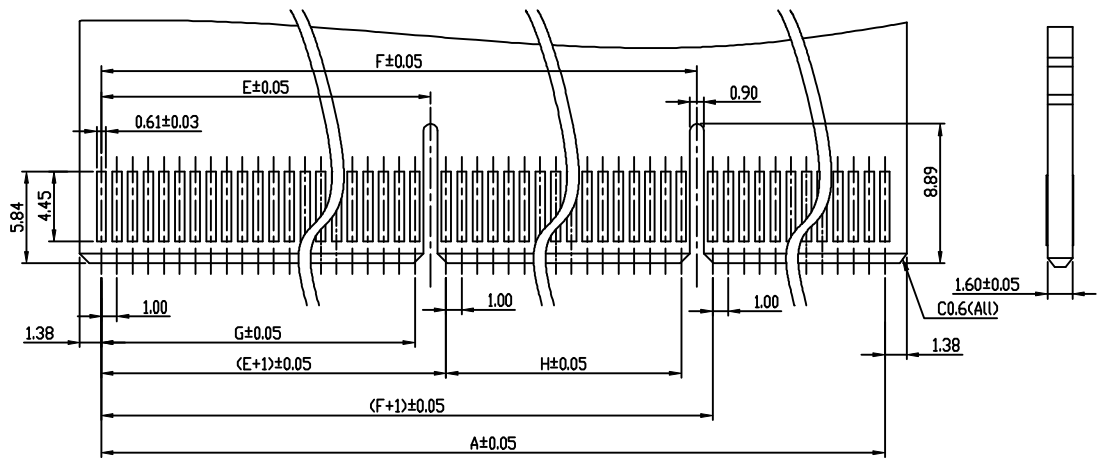
TYPE A



TYPE B



TYPE C  
RECOMMENDED P.C.B. LAYOUT  
TOLERANCE ±0.05



RECOMMENDED CARD PCB LAYOUT  
TOLERANCE ±0.05



符合环境管理物质

X.± 0.40	X*.± 5.00*	UNITS mm	NAME(INTENDED USE)	CHYAO SHIUNN ELECTRONIC (SHANGHAI) CO.,LTD.
.X± 0.30	.X*± 2.00*		CUSTOMER	
.XX± 0.20	.XX*± 1.00*	MAT'L	PART NO.(INTENDED USE)	TITLE:
.XXX± 0.10	.XXX*± ---		FINISH	JS-1088-XXXX
THESE DRAWINGS AND SPECIFICATIONS ARE THE PROPERTY OF CHYAO SHIUNN ELECTRONIC CO., LTD. AND SHALL NOT BE REPRODUCED, COPIED OR USED IN ANY MANNER WITHOUT THE PRIOR WRITTEN CONSENT OF CHYAO SHIUNN ELECTRONIC CO., LTD.		Q'TY	APPD:	DWG NO.:
			CHKD:	020-0111-1088-XXXX
			DR: sunquan 2013.05.13	SCALE SHEET REV.
				2/1 2/2 /