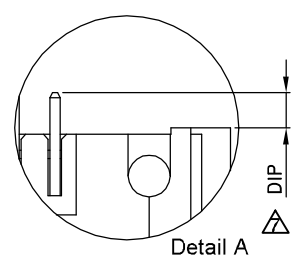
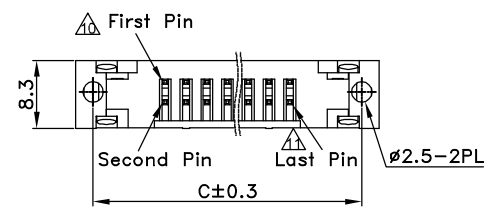


- SPECIFICATIONS
- Current Rating : 1A AC/DC
 - Withstanding Voltage : 1000V AC/minute
 - Insulation Resistance : 1000M ohms min
 - Temperature Range : - 40°C to + 105°C
 - Contact Resistance : 20m ohms max

- BOX HEADER
- Part No. : JS-1200WS-XX (X XX)
- ① ② ③ ④

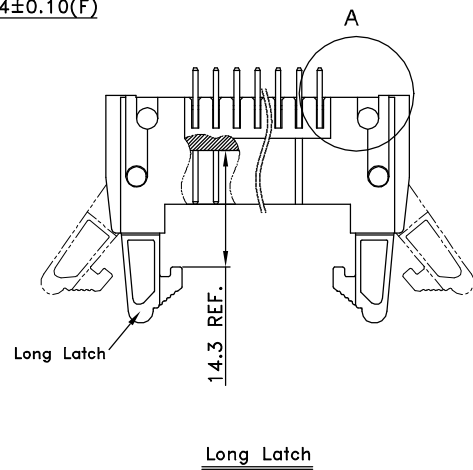
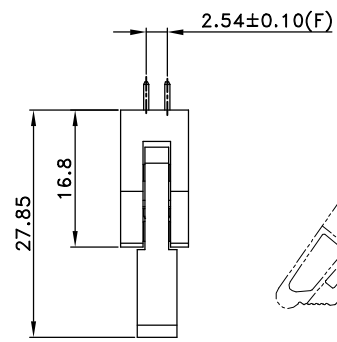
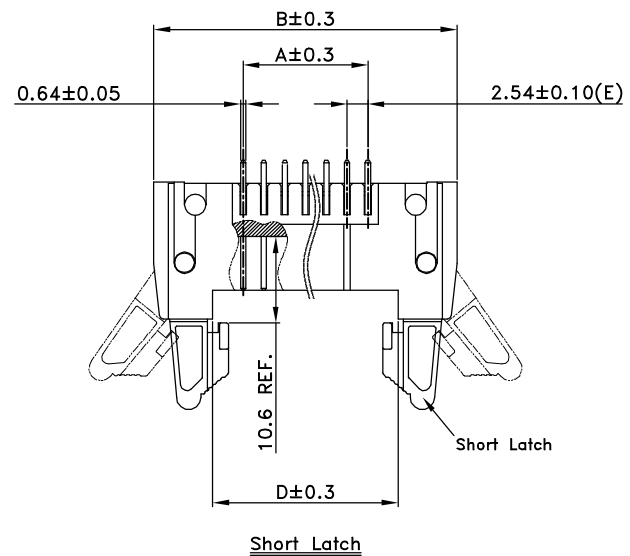
- ① Straight Type
- ② Poles No : 10-64
- ③ Blank : Long Latch
A : Short Latch
- ④ Blank : DIP 3.0mm
D : DIP 2.4mm
D1 : DIP 4.2mm

- Poles : 10-64
- Material : 1. Contact : Brass, Gold Plated
2. Base : PBT UL94V-0
- Q'ty : 1,000 pcs./PVC Box



Part No.	DIP Dim.
JS-1200WS-XXX	3.0
JS-1200WS-XXXD	2.4 ^{+0.20}
JS-1200WS-XXXD1	4.2

Poles	Rib Number
10P,24P	2
14P,16P	1,3
other	1,2,3



Poles	Dimension(mm)			
	A	B	C	D
10	10.16	32.00	27.84	17.96
14	15.24	37.08	32.92	23.04
16	17.78	39.62	35.46	25.58
20	22.86	44.70	40.54	30.66
24	27.94	49.78	45.62	35.74
26	30.48	52.32	48.16	38.28
30	35.56	57.40	53.24	43.36
34	40.64	62.48	58.32	48.44
40	48.26	70.10	65.94	56.06
50	60.96	82.80	78.64	68.76
60	73.66	95.50	91.34	81.46
64	78.74	100.58	96.42	86.54

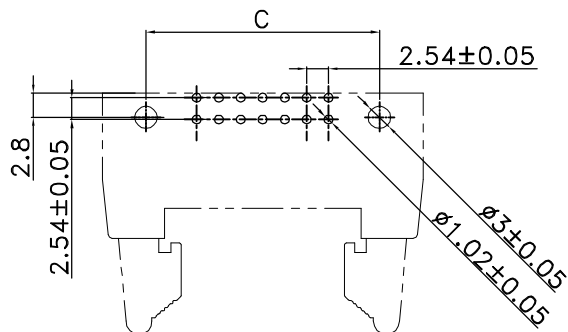


喬訊電子工業股份有限公司
CHYAO SHIUNN
ELECTRONIC INDUSTRIAL LTD.

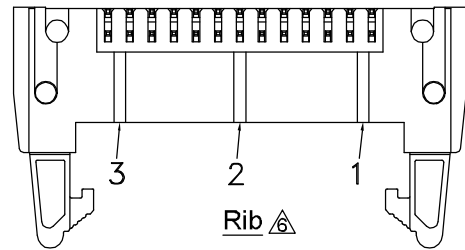
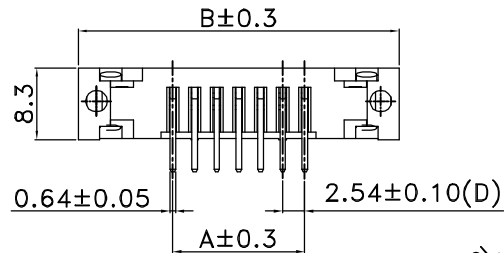
PART NO JS-1200WS-XX
2.54mm DIP Series Flat Cable to Board Connector

APPROVED BY	SCALE	UNIT	TOLERANCE	LTR	REVISION RECORD	NAME	DATE	LTR	REVISION RECORD	NAME	DATE
Tom Shih		mm	.0 ±0.30	△	與系列圖合併	林文泰	10/07/07	△	新增Last Pin標示		19/12/24
CHECKED BY	PROJ	VER NO.	.00 ±0.20	△	新增 DIP 2.4mm 規格	吳沛倫	10/10/21	△	額定電流修改為1A		22/10/07
Erin Chou		a12	.000 ±0.10	△	增加放大圖說明DIP長度	王誠賢	11/04/29				
DRAWN BY	DATE	SIZE	ANGLE		增加DIP長度D1選項	周慈雲	12/08/07				
			0° ±1°	△	修正對照表	周慈雲	12/10/12				
Eddie	2022/10/07	A4	0° ±	△	增加肋係對照表 增加圖面圖示	Eddie	18/10/23				
			SHEET	1/1	更正First Pin標示	Eddie	19/03/11				

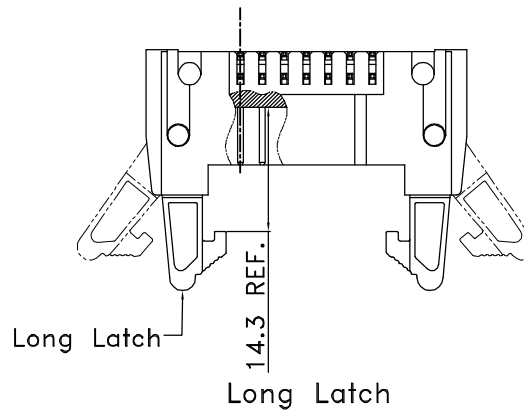
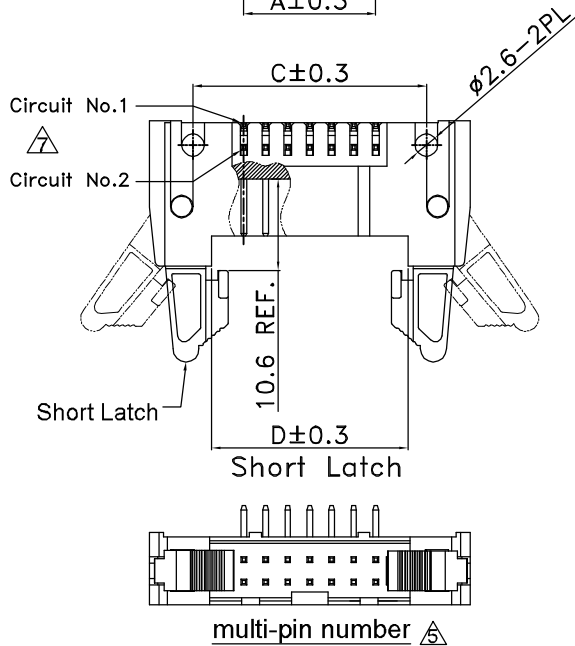
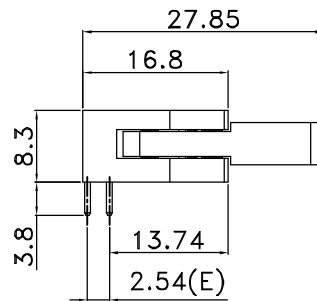
CUSTOMER
Conforms to The RoHS Instruction



Recommended PCB Layout(Top View)



Poles	Rib Number
10P,24P	2
14P,16P	1,3
other	1,2,3



■ SPECIFICATIONS

- ⚠ ● Current Rating : 1A AC/DC
- Withstanding Voltage : 1000V AC/minute
- Insulation Resistance : 1000MΩ min
- Temperature Range : - 40℃ to + 105℃
- Contact Resistance : 20mΩ max

■ BOX HEADER WITH EJECT LEVERS

- Part No. : JS-1200WR-XX(X) (Straight)

① ②

① Poles No:10-64

② Blank : Long Latch

A : Short Latch

- Material : Contact : Brass, Gold Plated
- Base : PBT UL94V-0

- Q' ty : 1,000 pcs./PVC Box



Poles	Dimensions (mm)			
	A	B	C	D
10	10.16	32.00	21.84	17.96
14	15.24	37.08	26.92	23.04
16	17.78	39.62	29.46	25.58
20	22.86	44.70	34.54	30.66
24	27.94	49.78	39.64	35.74
26	30.48	52.32	42.16	38.28
30	35.56	57.40	47.24	43.36
34	40.64	62.48	52.32	48.44
40	48.26	70.10	59.94	56.06
50	60.96	82.80	72.64	68.76
60	73.66	95.80	85.34	81.46
64	78.74	100.58	90.42	86.54



喬訊電子工業股份有限公司
CHYAO SHIUNN
ELECTRONIC INDUSTRIAL LTD.

APPROVED BY	SCALE	UNIT	TOLERANCE	LTR	REVISION RECORD	NAME	DATE	LTR	REVISION RECORD	NAME	DATE
Tom Shih		mm	.0 ±0.30	4	與同一系列圖合併為一張	林文泰	10/07/07				
CHECKED BY	PROJ	VER NO.	.00 ±0.20	5	增加multi-pin number圖示	周家慶	18/05/23				
Erin Chou		a8	.000 ±0.10	6	增加肋條對照表 修正對照表	Eddie	18/10/23				
DRAWN BY	DATE	SIZE	ANGLE	7	更正Circuit標示	Eddie	19/03/11	CUSTOMER			
Eddie	2022/10/07	A4	0° ±1°	8	額定電流修改為 1A	Eddie	22/10/07				
			0° ±								
2.54mm BOX Header With Eject Levers(Right Angle,With Long Latch)			SHEET	1/1	Conforms to The RoHS Instruction						