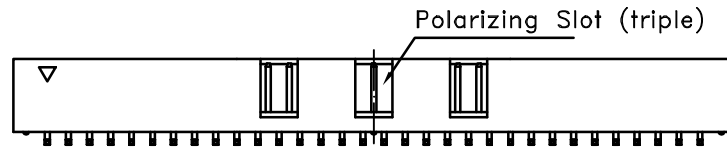
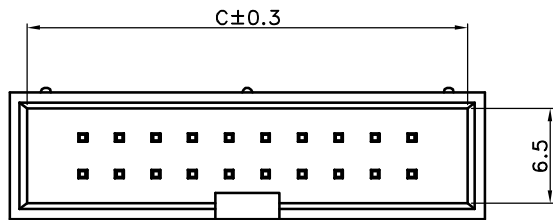
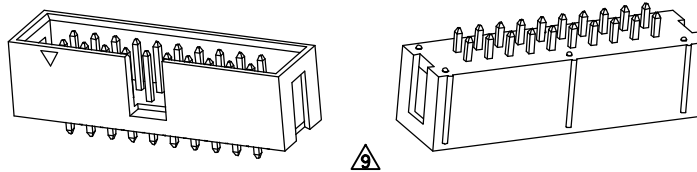
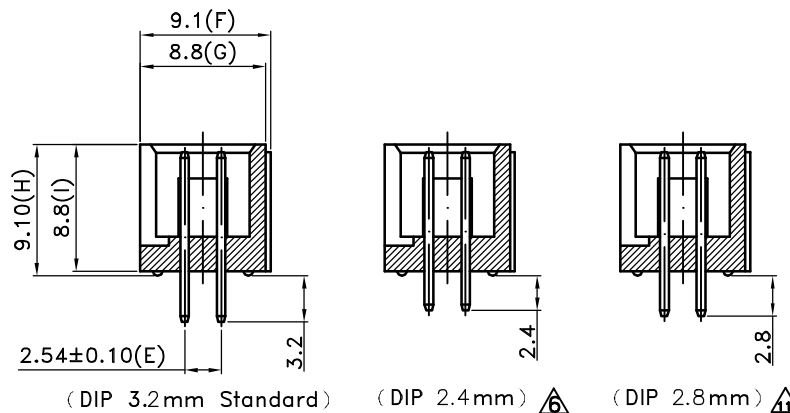
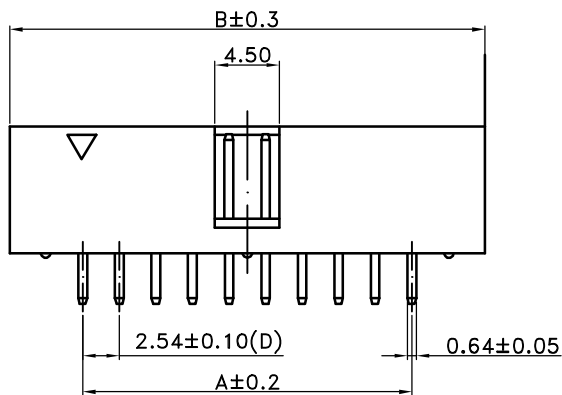


Recommended PCB Layout



For 60 and 64 Position



■ SPECIFICATIONS

- Current Rating : 3A AC/DC
- Withstanding Voltage : 1000V AC/minute
- Insulation Resistance : 1000M Ω min
- Temperature Range : 1. PBT -40°C ~ +85°C
2. Nylon 6T -25°C ~ +105°C

- Contact Resistance : 20m Ω max

■ BOX HEADER

- Part No. : JS-1200-XX X (XX) X
① ② ③ ④

- ① Pole : 6-64

- ② Blank: Dip 3.2mm

D : Dip 2.4mm

D1 : Dip 2.8mm

- ③ Blank : PBT UL94V-0 ; Nature Color : Black

6TNH : Nylon 6T UL94V-0, Nature Color : Black

- ④ Color: Blank : Nature Color

GY : Gray (Only For PBT)

Poles : 6-64(DIP, Straight)

Material : Contact : Brass, Gold Plated

Base : Refer the above narrative

Q' ty : 1000 pcs./PVC Box

Poles	Dimensions (mm)		
	A	B	C
6	5.08	15.24	12.94
8	7.62	17.78	15.48
10	10.16	20.32	18.02
12	12.70	22.86	20.56
14	15.24	25.40	23.10
16	17.78	27.94	25.64
20	22.86	33.02	30.72
24	27.94	38.10	35.80
26	30.48	40.64	38.34
30	35.56	45.72	43.42
34	40.64	50.80	48.50
40	48.26	58.42	56.12
44	53.34	63.50	61.20
50	60.96	71.12	68.82
60	73.66	83.82	81.52
64	78.74	88.90	86.60



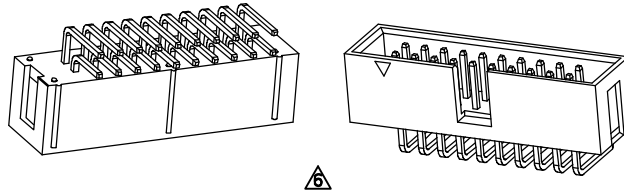
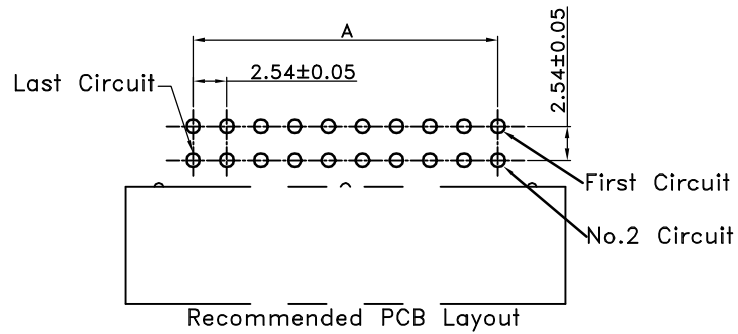
喬訊電子工業股份有限公司

CHYAO SHIUNN
ELECTRONIC INDUSTRIAL LTD.

APPROVED BY	SCALE	UNIT	TOLERANCE	LTR	REVISION RECORD	NAME	DATE	LTR	REVISION RECORD	NAME	DATE
Tom Shih		mm	.0 ±0.30	△	ECR 200511-002	陳文松	05/11/03	△	增加灰色選項	吳弘文	14/11/17
CHECKED BY	PROJ	VER NO.	.00 ±0.20	△	ECR 200812-001	黃科源	08/12/02	△	修正塑膠本體顏色敘述	吳弘文	23/04/07
Erin Chou		a11	.000 ±0.10	△	ECR 200903-006	黃科源	09/03/19	△	新增 DIP 2.8mm 規格	Eddie	23/07/17
DRAWN BY	DATE	SIZE	ANGLE	△	ECR 201005-003	黃科源	10/05/07				
Eddie	2023/07/17	A4	0° ±1°	△	新增 DIP 2.4mm 規格	吳沛倫	10/10/21				
			.0° ±	△	修改物性表	吳沛倫	10/12/08				
			SHEET 1/1	△	增加60&64 PIN 正視圖	梁旭	11/11/14				

PART NO JS-1200-XX
2.54mm Box Headers DIP Type(Straight)

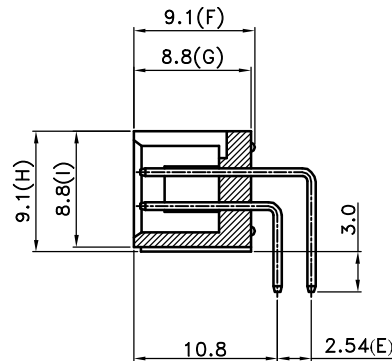
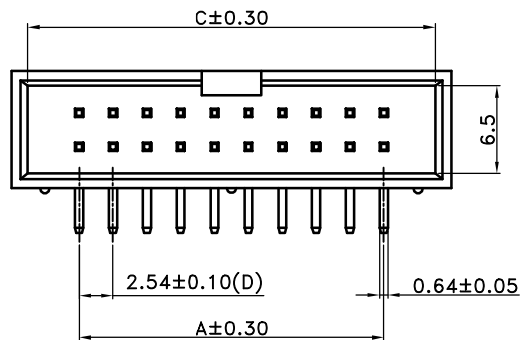
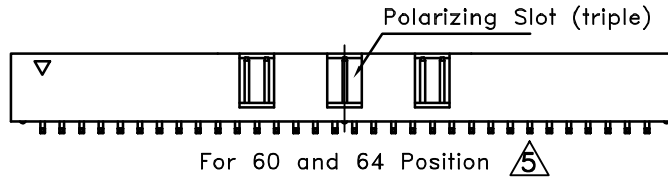
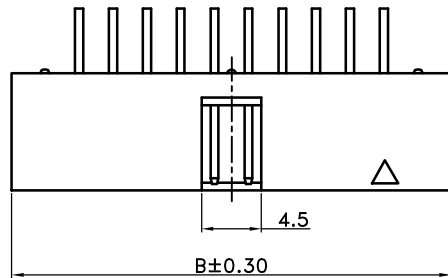
CUSTOMER
Conforms to The RoHS Instruction



- SPECIFICATIONS
- Voltage Rating : 250 V AC/DC
 - Current Rating : 3A AC/DC
 - Withstanding Voltage : 1000V AC/minute
 - Insulation Resistance : 1000M Ω min
 - Temperature Range : 1.PBT -40°C ~ +85°C
2.Nylon 6T -25°C ~ +105°C
 - Contact Resistance : 20m Ω max

■ BOX HEADER
 4. Part No. : JS-1200R-XX (XX) X
 ① ② ③

- ① Poles No.
- ② Blank : PBT UL94V-0, Narute Color : Black
 ▲ 6TNH : Nylon 6T UL94V-0, Narute Color : Black Halogen Free
- ▲ ③ Base Color : Blank : Nautre Color
 GY : Gray (only for PBT)
- Poles : 6-64(DIP, Straight)
- Material : Contact : Brass, Gold Plated
 Base : Refer the above narrative
- Q' ty : 1000 pcs./PVC Box



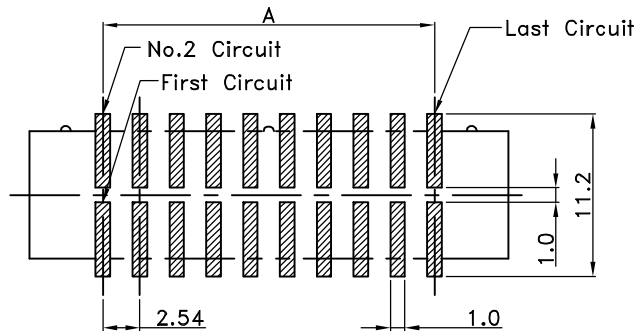
Poles	Dimensions (mm)		
	A	B	C
6	5.08	15.24	12.94
8	7.62	17.78	15.48
10	10.16	20.32	18.02
12	12.70	22.86	20.56
14	15.24	25.40	23.10
16	17.78	27.94	25.64
20	22.86	33.02	30.72
24	27.94	38.10	35.80
26	30.48	40.64	38.34
30	35.56	45.72	43.42
34	40.64	50.80	48.50
40	48.26	58.42	56.12
44	53.34	63.50	61.20
50	60.96	71.12	68.82
60	73.66	83.82	81.52
64	78.74	88.90	86.60



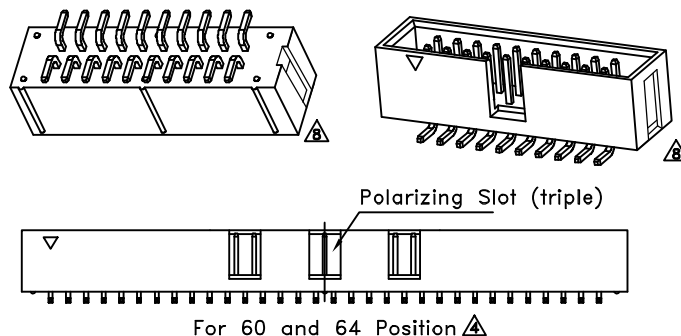
喬訊電子工業股份有限公司
 CHYAO SHIUNN
 ELECTRONIC INDUSTRIAL LTD.

APPROVED BY	SCALE	UNIT	TOLERANCE	LTR	REVISION RECORD	NAME	DATE	LTR	REVISION RECORD	NAME	DATE
Tom Shih		mm	.0 ±0.30	▲	ECR DG 200504-007	黃科源	05/04/28				
CHECKED BY	PROJ	VER NO.	.00 ±0.20	▲	ECR 200812-001	黃科源	08/10/02				
Erin Chou		a7	.000 ±0.10	▲	ECR 200809-006	吳沛倫	09/03/19				
DRAWN BY	DATE	SIZE	ANGLE		修改物性表	吳沛倫	10/12/13	CUSTOMER			
Eddie	2023/07/27	A4	0° ±1°	▲	增加60&64 PIN 正視圖	梁旭	11/11/14				
			0° ±	▲	增加灰色選項	吳弘文	14/11/17				
			SHEET	1/1	▲	修正塑膠本體顏色敘述	Eddie	27/07/27	Conforms to The RoHS Instruction		

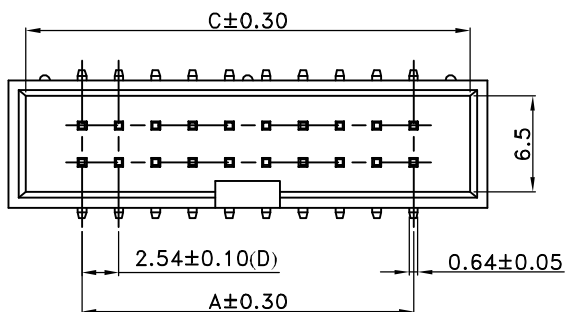
PART NO JS-1200R-XX
 2.54mm Box Headers DIP Type(Right Angle)



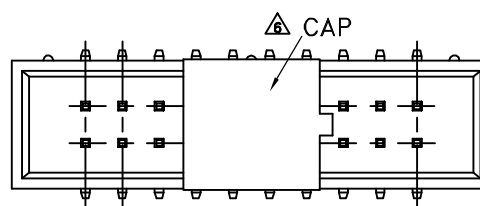
Recommended PCB Layout(Top View)
General tolerance ± 0.05



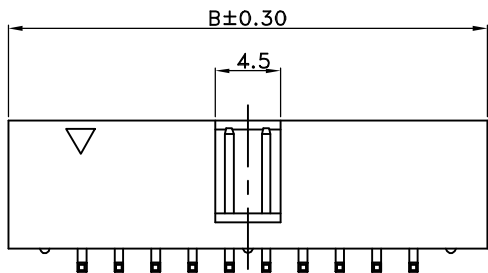
For 60 and 64 Position



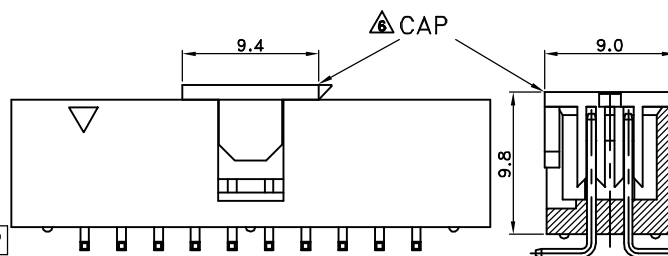
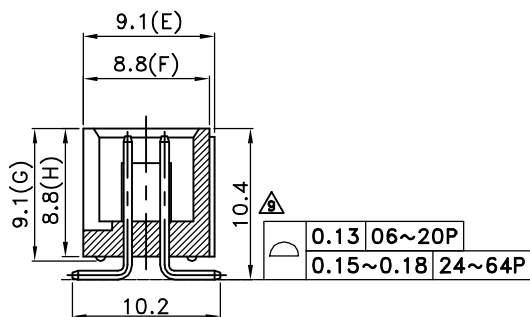
JS-1200D-XX(XX)



JS-1200D-XXC(XX)



JS-1200D-XX(XX)



JS-1200D-XXC(XX)

- SPECIFICATIONS
- Current Rating : 3A AC/DC
- Withstanding Voltage : 1000V AC/minute
- Insulation Resistance : 1000M Ω min
- Temperature Range : - 40°C to + 105°C
- Contact Resistance : 20m Ω max

- BOX HEADER
- Part No. : JS-1200D-XX X(XX) X
- Product Code: ① ② ③ ④

- ① Poles : 6-64(SMT)
- ② Cap : Blank : Without Cap
C : With Cap
- △ ③ Base : 9T : Nylon 9T, UL94V-0
6TNH : Nylon6T-66 UL94V-0; Non-Halogen
- △ ④ Packing : Blank : Tape & Reel
/T : Tray
/A : Tube
- Material : Contact : Brass, Gold Plated
Base : Refer The Above Option

Poles	Dimensions (mm)		
	A	B	C
6	5.08	15.24	12.94
8	7.62	17.78	15.48
10	10.16	20.32	18.02
12	12.70	22.86	20.56
14	15.24	25.40	23.10
16	17.78	27.94	25.64
20	22.86	33.02	30.72
24	27.94	38.10	35.80
26	30.48	40.64	38.34
30	35.56	45.72	43.42
34	40.64	50.80	48.50
40	48.26	58.42	56.12
44	53.34	63.50	61.20
50	60.96	71.12	68.82
60	73.66	83.82	81.52
64	78.74	88.90	86.60



喬訊電子工業股份有限公司
CHYAO SHIUNN
ELECTRONIC INDUSTRIAL LTD.

APPROVED BY	SCALE	UNIT	TOLERANCE	LTR	REVISION RECORD	NAME	DATE	LTR	REVISION RECORD	NAME	DATE
Tom Shih		mm	.0 ±0.30	△	200812-001	黃科源	2008/12/02	△	增加共面度標註	Tom Lee	2018/06/14
CHECKED BY	PROJ	VER NO.	.00 ±0.20	△	200903-006	吳沛倫	2009/03/19	△	刪除6T材質選項	Eddie	2022/10/24
Erin Chou	⊕	a11	.000 ±0.10	△	增加60&64 PIN 正視圖	梁旭	2011/11/14	△	新增6TNH材質選項	Eddie	2023/10/17
DRAWN BY	DATE	SIZE	ANGLE	△	增加塑膠材質選項	張逸維	2012/12/05				
Eddie	2023/10/17	A4	0° ±1°	△	增加CAP, TAPE&Reel 選項	吳弘文	2015/07/17			CUSTOMER	
			.0° ±	△	Add Packing Option	Erin	2016/11/22			Conforms to The RoHS Instruction	
			SHEET 1/1	△	3d view 更新圖示	Tom Lee	2017/10/18				

PART NO JS-1200D-XXX(XX)
2.54mm Box Headers SMT Type