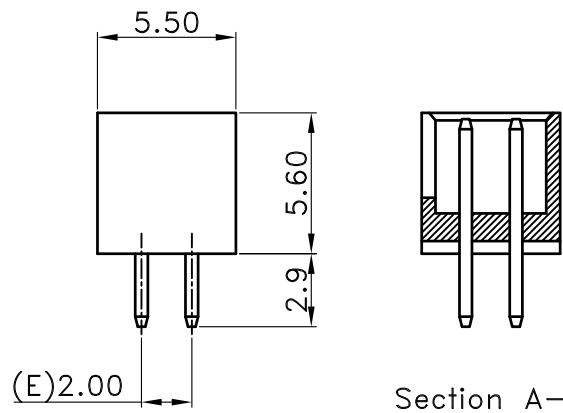
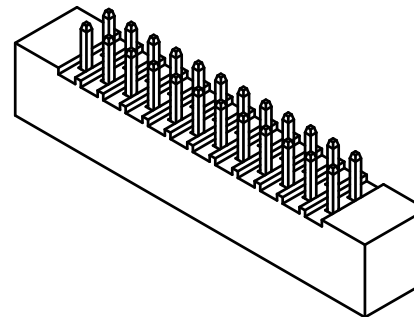
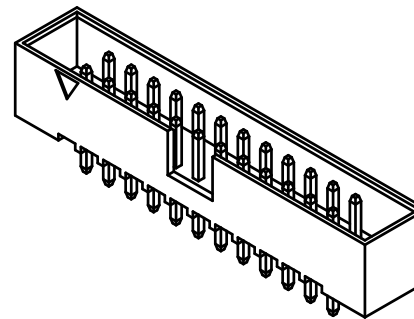
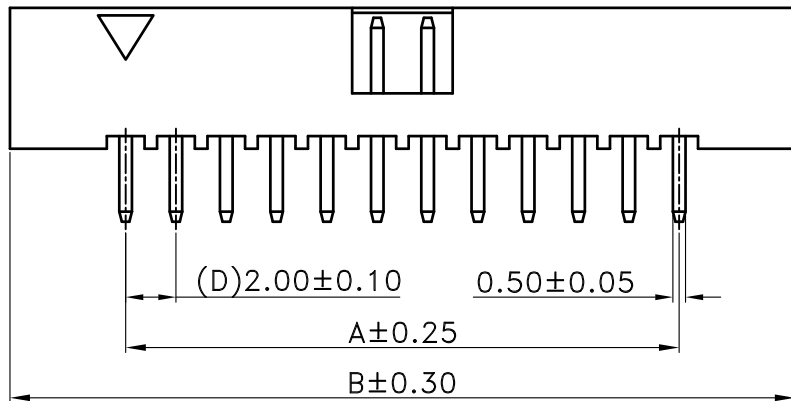
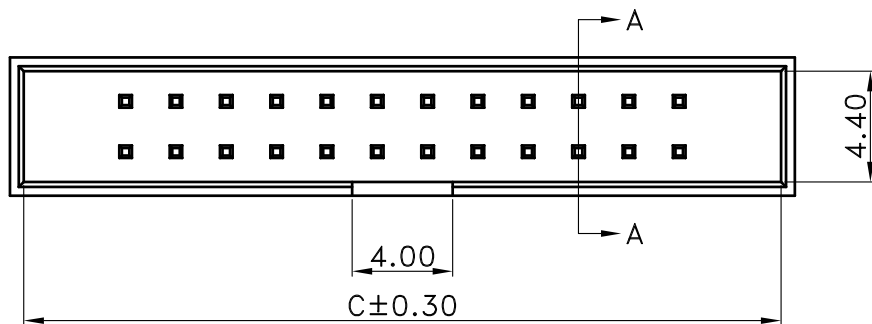


Recommended PCB Layout



Section A-A

- **SPECIFICATIONS**
- Voltage Rating : 250V AC/DC
 - Current Rating : 1A AC/DC
 - Withstanding Voltage : 1,000V AC/minute
 - Insulation Resistance : 1,000MΩ min
 - Temperature Range : - 40°C to + 105°C
 - Contact Resistance : 20mΩ max
- **BOX HEADER(Straight)**
- Part No. : JS-1300-XX (XXX)
 - ①
 - ②
 - ① Poles : 06~36, 40, 44, 50, 60, 64, 68
 - △② Blank : Nylon 9T UL94V-0
PBT : PBT UL94V-0
- Material :
- △ 1. Contact : Brass, Gold Plated
 - 2. Base : Refer Above Options
- Package : PVC Box

Poles	Dimensions (mm)		
	A	B	C
△ 6	4.00	13.20	12.10
8	6.00	15.20	14.10
10	8.00	17.20	16.10
12	10.00	19.20	18.10
14	12.00	21.20	20.10
16	14.00	23.20	22.10
18	16.00	25.20	24.10
20	18.00	27.20	26.10
22	20.00	29.20	28.10
24	22.00	31.20	30.10
26	24.00	33.20	32.10
28	26.00	35.20	34.10
30	28.00	37.20	36.10
32	30.00	39.20	38.10
34	32.00	41.20	40.10
36	34.00	43.20	42.10
40	38.00	47.20	46.10
44	42.00	51.20	50.10
50	48.00	57.20	56.10
60	58.00	67.20	66.10
64	62.00	71.20	70.10
68	66.00	75.20	74.10

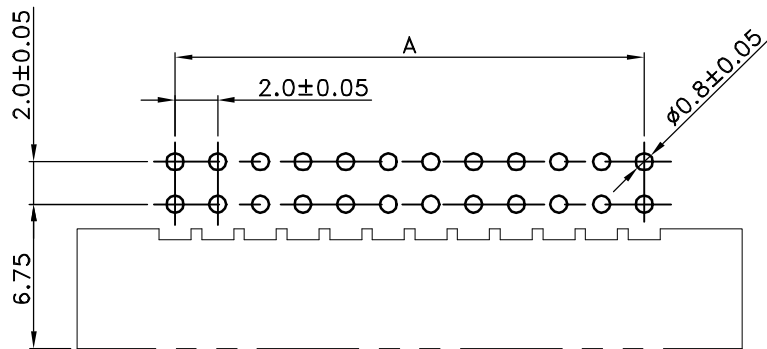


喬訊電子工業股份有限公司
CHYAO SHIUNN
ELECTRONIC INDUSTRIAL LTD.

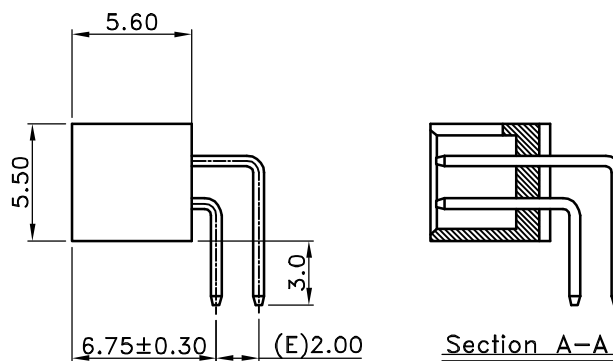
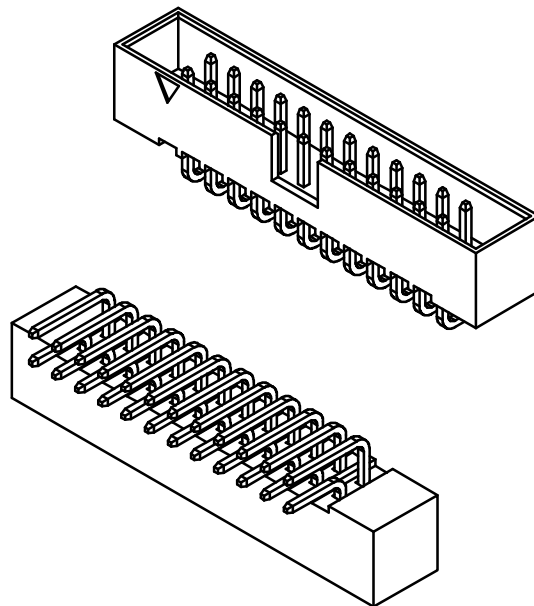
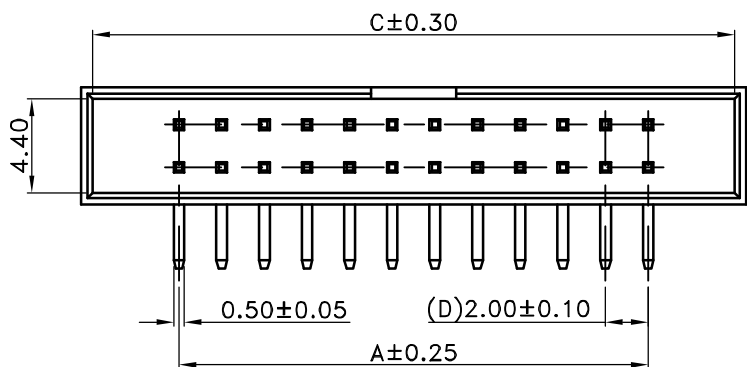
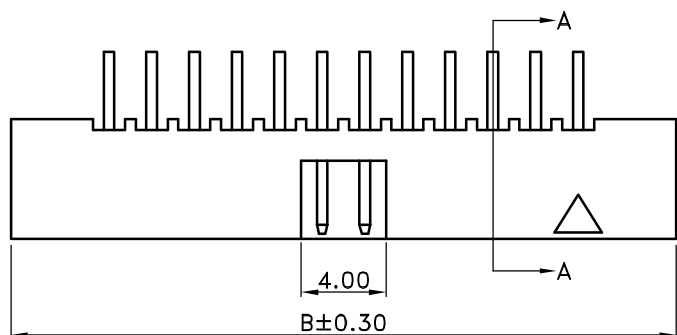
PART NO JS-1300-XX(XXX)

2.00mm Flat Cable to Board Connector, DIP Series

APPROVED BY	SCALE	UNIT	TOLERANCE	LTR	REVISION RECORD	NAME	DATE	LTR	REVISION RECORD	NAME	DATE
張育瑞		mm	.0 ±0.30	△	圖面修改	余秀麗	05/05/15				
CHECKED BY	PROJ	VER NO.	.00 ±0.20	△	物性表修正	黃科源	08/09/26				
周慈雲		a7	.000 ±0.10	△	物性表修正	黃科源	09/03/06				
DRAWN BY	DATE	SIZE	ANGLE		增加Pin數	黃科源	09/05/12	CUSTOMER			
吳弘文	2014/05/08	A4	0° ±1°	△	增加Pin數	王誠賢	10/10/08				
			.0° ±	△	增加產品材質規格	周美麗	12/08/07	Conforms to The RoHS Instruction			
			SHEET 1/1	△	修定產品材質增加PBT選項	吳弘文	14/05/08				



Recommended PCB Layout



Section A-A

■ SPECIFICATIONS

- Voltage Rating : 250V AC/DC
- Current Rating : 1A AC/DC
- Withstanding Voltage : 1,000V AC/minute
- Insulation Resistance : 1,000MΩ min
- Temperature Range : - 40°C to + 105°C
- Contact Resistance : 20mΩ max

■ BOX HEADER(Right Angle)

- △ Part No. : JS-1300R-XX

①

- ① Poles : 06~36, 40, 44, 50, 60, 64, 68

- Material : 1. Contact : Brass, Gold Plated
2. Base : PA9T UL94V-0
- Package : PVC Box

Poles	Dimensions (mm)		
	A	B	C
6	4.00	13.20	12.10
8	6.00	15.20	14.10
10	8.00	17.20	16.10
12	10.00	19.20	18.10
14	12.00	21.20	20.10
16	14.00	23.20	22.10
18	16.00	25.20	24.10
20	18.00	27.20	26.10
22	20.00	29.20	28.10
24	22.00	31.20	30.10
26	24.00	33.20	32.10
28	26.00	35.20	34.10
30	28.00	37.20	36.10
32	30.00	39.20	38.10
34	32.00	41.20	40.10
36	34.00	43.20	42.10
40	38.00	47.20	46.10
44	42.00	51.20	50.10
50	48.00	57.20	56.10
60	58.00	67.20	66.10
64	62.00	71.20	70.10
68	66.00	75.20	74.10



喬訊電子工業股份有限公司

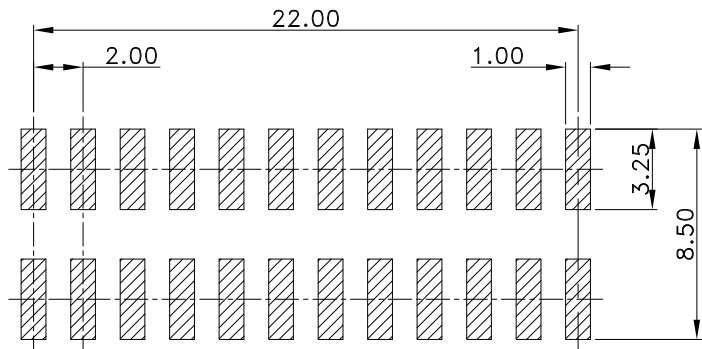
CHYAO SHIUNN
ELECTRONIC INDUSTRIAL LTD.

APPROVED BY	SCALE	UNIT	TOLERANCE	LTR	REVISION RECORD	NAME	DATE	LTR	REVISION RECORD	NAME	DATE
Tom Shih		mm	.0 ±0.30	△	圖面修改	余秀麗	05/05/15	△	材質修定	吳弘文	14/05/08
CHECKED BY	PROJ	VER NO.	.00 ±0.20	△	材質變更	黃科源	08/09/26	△	修正打內K型式	吳弘文	15/06/16
Erin Chou		a10	.000 ±0.10	△	材質變更	黃科源	09/03/06	△	刪除內k, 材質PBT選項	Eddie	18/11/23
DRAWN BY	DATE	SIZE	ANGLE	△	增加產品P數	黃科源	09/05/12	CUSTOMER			
Eddie	2018/11/23	A4	0° ±1°	△	增加產品P數	王誠賢	10/10/07				
			.0° ±	△	增加產品材質規格	周美麗	12/08/07				
			SHEET 1/1	△	增加內k, 材質PBT選項	張逸維	12/12/19				

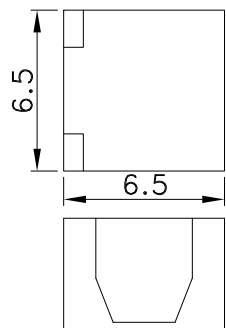
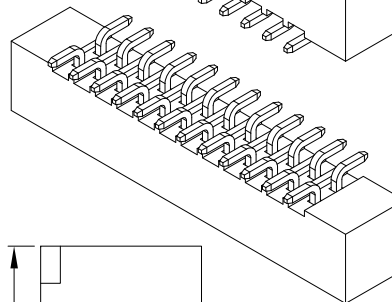
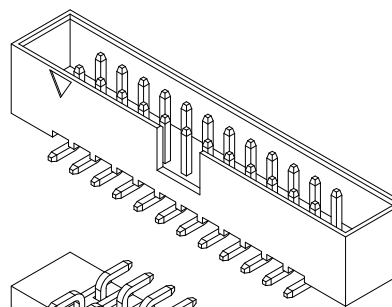
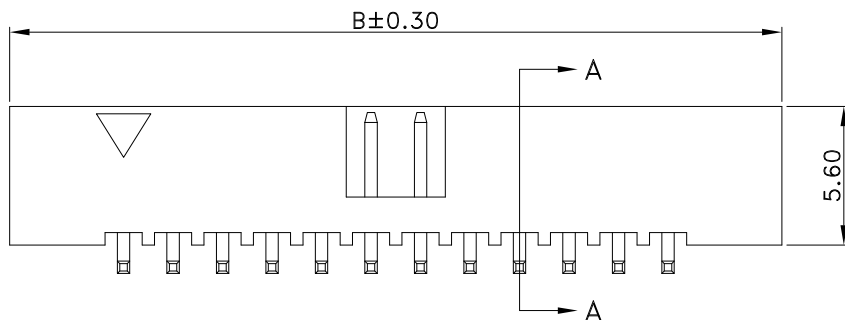
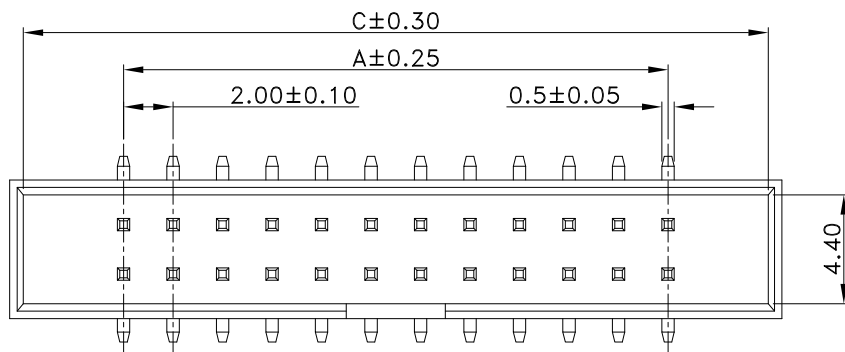
PART NO JS-1300R-XX

2.00mm Flat Cable to Board Connector, DIP Series

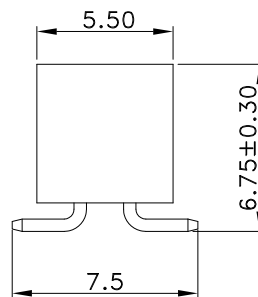
Conforms to The RoHS Instruction



Recommended PCB Layout



CAP



Section A-A

■ SPECIFICATIONS

- Voltage Rating : 250V AC/DC
- Current Rating : 1A AC/DC
- Withstanding Voltage : 1,000V AC/minute
- Insulation Resistance : 1,000MΩ min
- Temperature Range : - 40°C to + 105°C
- Contact Resistance : 20mΩ max

■ BOX HEADER(SMT)

· Part No. : JS-1300D-XX (XXX) X X

① ② ③④

① Poles : 06~36, 40, 44, 50, 60, 64, 68

② Blank : Nylon 9T UL94V-0
PBT : PBT UL94V-0

③ CAP : Blank : Without CAP
C : With Cap

△④ Packing :Blank :PVC Box
/A : Tube

Material :

1. Contact : Brass, Gold Plated
2. Base : Refer Above Options

Poles	Dimensions (mm)		
	A	B	C
6	4.00	13.20	12.10
8	6.00	15.20	14.10
10	8.00	17.20	16.10
12	10.00	19.20	18.10
14	12.00	21.20	20.10
16	14.00	23.20	22.10
18	16.00	25.20	24.10
20	18.00	27.20	26.10
22	20.00	29.20	28.10
24	22.00	31.20	30.10
26	24.00	33.20	32.10
28	26.00	35.20	34.10
30	28.00	37.20	36.10
32	30.00	39.20	38.10
34	32.00	41.20	40.10
36	34.00	43.20	42.10
40	38.00	47.20	46.10
44	42.00	51.20	50.10
50	48.00	57.20	56.10
60	58.00	67.20	66.10
64	62.00	71.20	70.10
68	66.00	75.20	74.10



喬訊電子工業股份有限公司
CHYAO SHIUNN
ELECTRONIC INDUSTRIAL LTD.

APPROVED BY	SCALE	UNIT	TOLERANCE	LTR	REVISION RECORD	NAME	DATE	LTR	REVISION RECORD	NAME	DATE
Tom Shih		mm	.0 ±0.30	△	圖面修改	余秀麗	05/05/15	△	材質修定, 增加PBT選項	吳弘文	14/05/08
CHECKED BY	PROJ	VER NO.	.00 ±0.20	△	圖面修改	林文彬	06/01/06	△	增加蓋子	吳弘文	15/05/29
Tom Shih		a10	.000 ±0.10	△	材質變更	黃科源	08/09/26	△	add packing option	Erin	16/11/30
DRAWN BY	DATE	SIZE	ANGLE		△	黃科源	09/03/06	CUSTOMER			
Erin	2016/11/29	A4	0° ±1°	△	增加產品P數	黃科源	09/05/12				
			0° ±	△	增加產品P數	王誠賢	10/10/07				
			SHEET	1/1	△	增加產品規格	周美麗	12/08/13	Conforms to The RoHS Instruction		

PART NO JS-1300D-XX(XXX)

2.00mm Flat Cable to Board Connector, SMT Series