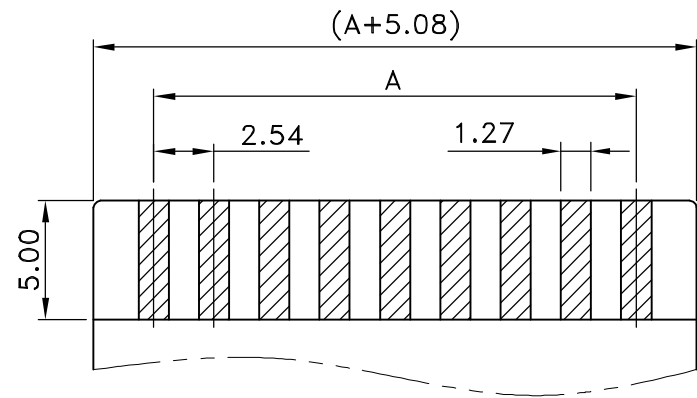
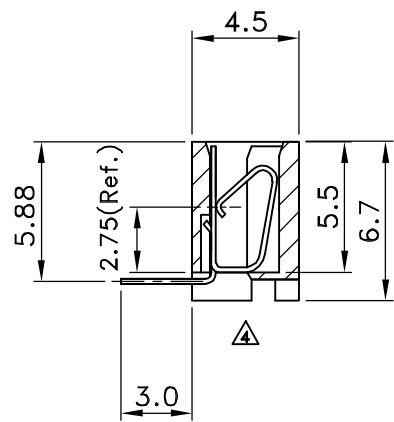
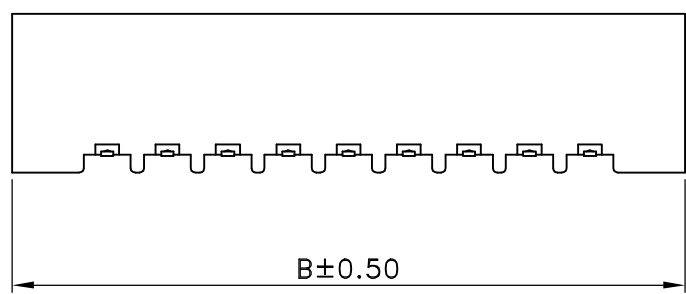
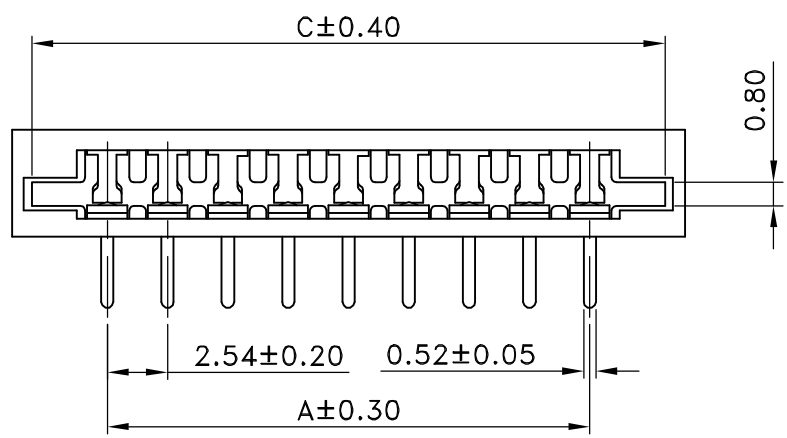


Recommended PCB Layout(Top View)



RECOMMENDED FPC/FPC DIM.
(Thickness : 0.30±0.05mm)




■ SPECIFICATIONS

- ⚠ • Current Rating : 3A AC/DC
- ⚠ • Voltage Rating : 250V AC/DC
- Withstanding Voltage : 500V AC/minute
- Insulation Resistance : 1,000MΩ min
- ⚠ • Temperature Range : - 25°C to + 85°C
- ⚠ • Contact Resistance : 30mΩ max

■ FFC/FPC CONNECTOR

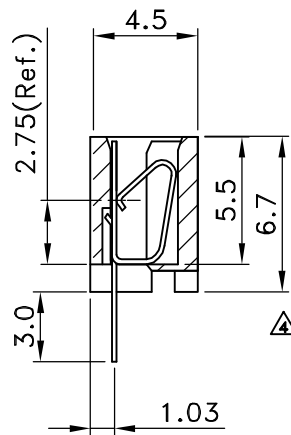
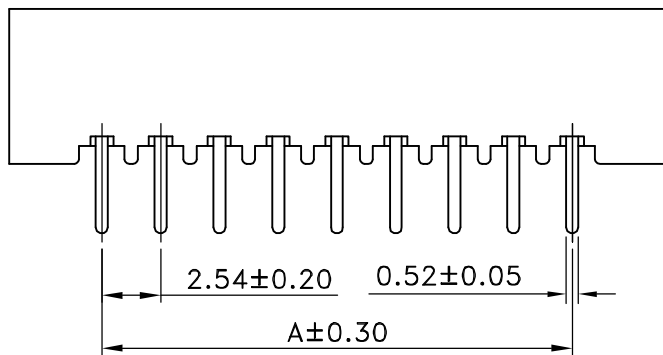
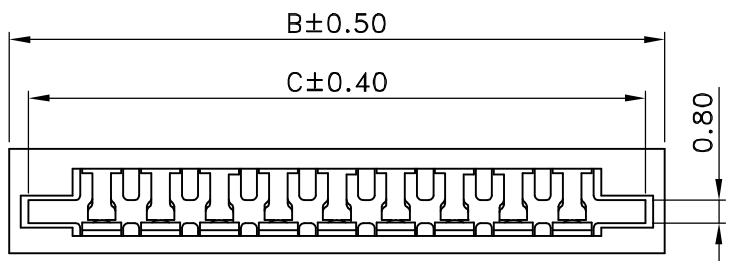
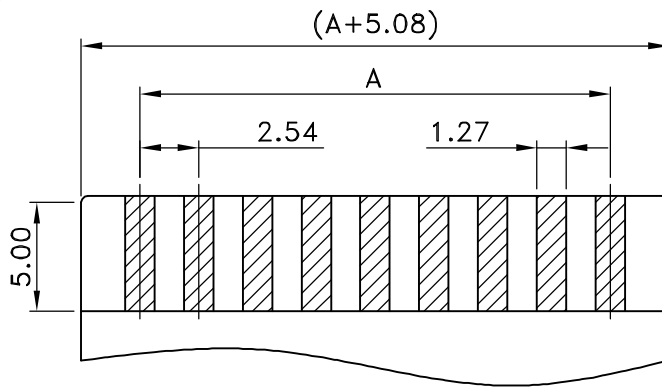
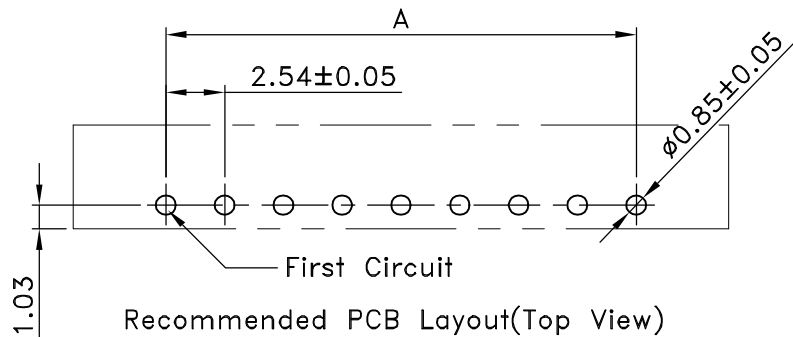
- Part No. : JS-1160R-XX (XX)
- ① ②
- ① Poles : 02~26(Right Angle)
- ⚠ ② Base : Blank : PBT
9T : PA 9T
- Material :
 - 1.Contact : Phos. Bronze, Tin Plated
 - 2.Base : Refer the above options
- ⚠ • Packing : Tube

Poles	Dimensions (mm)			Poles	Dimensions (mm)		
	A	B	C		A	B	C
2	2.54	10.54	8.43	15	35.65	43.56	41.45
3	5.08	13.08	10.97	16	38.10	46.10	43.99
4	7.62	15.62	13.51	17	40.64	48.64	46.53
5	10.16	18.16	16.05	18	43.18	51.18	49.07
6	12.70	20.70	18.59	19	45.72	53.72	51.61
7	15.24	23.24	21.13	20	48.26	56.26	54.15
8	17.78	25.78	23.67	21	50.80	58.80	56.69
9	20.32	28.32	26.21	22	53.34	61.34	59.23
10	22.86	30.86	28.75	23	55.88	63.88	61.77
11	25.40	33.40	31.29	24	58.42	66.42	64.31
12	27.94	35.94	33.83	25	60.96	68.96	66.85
13	30.48	38.48	36.37	26	63.50	71.50	69.39
14	33.02	41.02	38.91				

 喬訊電子工業股份有限公司
CHYAO SHIUNN
ELECTRONIC INDUSTRIAL LTD.

PART NO JS-1160R-XX(XX)
2.54mm NON-ZIF FPC Connectors

APPROVED BY	SCALE	UNIT	TOLERANCE	LTR	REVISION RECORD	NAME	DATE	LTR	REVISION RECORD	NAME	DATE
Tom Shih		mm	.0 ±0.30	⚠	XXX	XXX	XXXX/XX/XX	⚠			
CHECKED BY	PROJ	VER NO.	.00 ±0.20	⚠	ECR 200811-003	XXX	2008/11/03	⚠			
Erin Chou		a6	.000 ±0.10	⚠	ECR 201006-001	王誠賢	2010/06/02	⚠			
DRAWN BY	DATE	SIZE	ANGLE	⚠	增加剖面圖	吳弘文	2014/04/07		CUSTOMER		
Eddie	2023/09/06	A4	0° ±1°	⚠	修定電氣規格	吳弘文	2014/07/22				
			.0° ±	⚠	新增塑料選項及修正包裝方式	Eddie	2023/09/06				
			SHEET 1/1	⚠					Conforms to The RoHS Instruction		



■ SPECIFICATIONS

- △ Current Rating : 3A AC/DC
- △ Voltage Rating : 250V AC/DC
- △ Withstanding Voltage : 500V AC/minute
- Insulation Resistance : 1,000MΩ min
- △ Temperature Range : - 25°C to + 85°C
- △ Contact Resistance : 30mΩ max

■ FFC/FPC CONNECTOR

- △ Part No. : JS-1160-XX (XX)

① ②

① Poles : 02~26

△ ② Base : Blank : PBT

9T : PA 9T

• Material :

1.Contact : Phos. Bronze, Tin Plated

2.Base : Refer the above options

△ Packing : Tube

Poles	Dimensions (mm)			Poles	Dimensions (mm)		
	A	B	C		A	B	C
2	2.54	10.54	8.43	15	35.65	43.56	41.45
3	5.08	13.08	10.97	16	38.10	46.10	43.99
4	7.62	15.62	13.51	17	40.64	48.64	46.53
5	10.16	18.16	16.05	18	43.18	51.18	49.07
6	12.70	20.70	18.59	19	45.72	53.72	51.61
7	15.24	23.24	21.13	20	48.26	56.26	54.15
8	17.78	25.78	23.67	21	50.80	58.80	56.69
9	20.32	28.32	26.21	22	53.34	61.34	59.23
10	22.86	30.86	28.75	23	55.88	63.88	61.77
11	25.40	33.40	31.29	24	58.42	66.42	64.31
12	27.94	35.94	33.83	25	60.96	68.96	66.85
13	30.48	38.48	36.37	26	63.50	71.50	69.39
14	33.02	41.02	38.91				



喬訊電子工業股份有限公司

CHYAO SHIUNN
ELECTRONIC INDUSTRIAL LTD.

APPROVED BY	SCALE	UNIT	TOLERANCE	LTR	REVISION RECORD	NAME	DATE	LTR	REVISION RECORD	NAME	DATE
Tom Shih		mm	.0 ±0.30	△	ECR 200811-003	XXX	2008/11/03	△			
CHECKED BY	PROJ	VER NO.	.00 ±0.20	△	ECR 201006-001	王誠賢	2010/06/02	△			
Erin Chou	⊕ ⊞	a8	.000 ±0.10	△	增加剖面圖	吳弘文	2014/04/07	△			
DRAWN BY	DATE	SIZE	ANGLE	△	修定電氣規格	吳弘文	2014/07/22		CUSTOMER		
Eddie	2021/03/22	A4	0° ±1°	△	更正料號	吳弘文	2016/04/20				
			.0° ±	△	新增塑料選項及修正包裝方式	Eddie	2020/10/06				
			SHEET 1/1	△	修定電氣規格	Eddie	2021/03/22				Conforms to The RoHS Instruction

PART NO JS-1160-XX(XX)

2.54mm NON-ZIF FPC Connectors