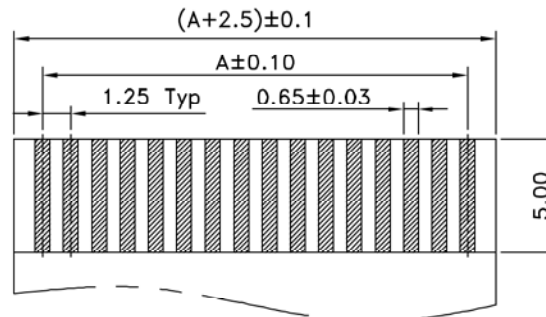
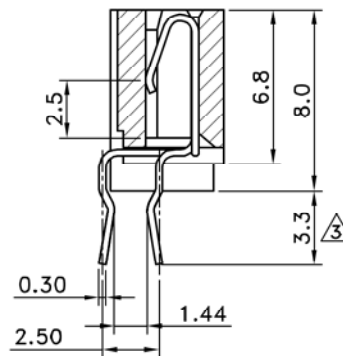
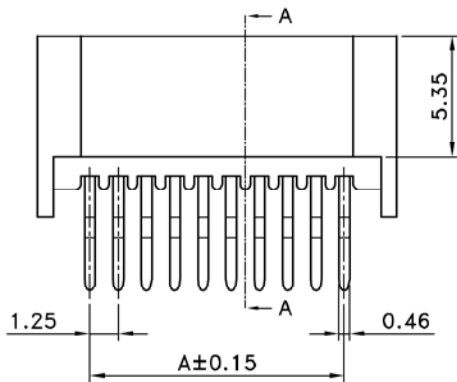
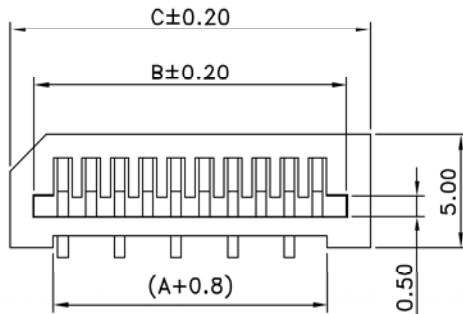


Recommended PCB Layout  
General Tolerance ±0.05



Applicable FPC/FFC T=0.30±0.05



SECTION A-A

■ SPECIFICATIONS

- Voltage Rating : 250V AC/DC
- Current Rating : 1A AC/DC
- Withstanding Voltage : 500V AC/minute
- Insulation Resistance : 1000MΩ min
- △ Temperature Range : - 25°C to + 85°C
- △ Contact Resistance : 30mΩ max

■ FFC/FPC CONNECTOR

- Part No. : JS-1155A-XX
- △ Poles : 2-36(Straight , Normality Contacts)
- Material : Contact : Phos. Bronze, Tin Plated  
Base : PBT UL94V-0
- Packing : Tube

Poles	Dimensions (mm)			Poles	Dimensions (mm)		
	A	B	C		A	B	C
2	1.25	3.80	5.90	20	23.75	26.30	28.40
3	2.50	5.05	7.15	21	25.00	27.55	29.65
4	3.75	6.30	8.40	22	26.25	28.80	30.90
5	5.00	7.55	9.65	23	27.50	30.05	32.15
6	6.25	8.80	10.90	24	28.75	31.30	33.40
7	7.50	10.05	12.15	25	30.00	32.55	34.65
8	8.75	11.30	13.40	26	31.25	33.80	35.90
9	10.00	12.55	14.65	27	32.50	35.05	37.15
10	11.25	13.80	15.90	28	33.75	36.30	38.40
11	12.50	15.05	17.15	29	35.00	37.55	39.65
12	13.75	16.30	18.40	30	36.25	38.80	40.90
13	15.00	17.55	19.65	31	37.50	40.05	42.15
14	16.25	18.80	20.90	32	38.75	41.30	43.40
15	17.50	20.05	22.15	33	40.00	42.55	44.65
16	18.75	21.30	23.40	34	41.25	43.80	45.90
17	20.00	22.55	24.65	35	42.50	45.05	47.15
18	21.25	23.80	25.90	36	43.75	46.30	48.40
19	22.50	25.05	27.15				



喬訊電子工業股份有限公司  
CHYAO SHIUNN  
ELECTRONIC INDUSTRIAL LTD.

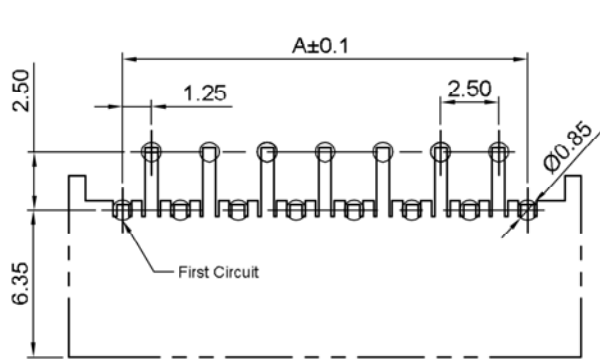
PART NO JS-1155A-XX

1.25mm NON-ZIF Connectors Single Beam Contact Style

APPROVED BY	SCALE	UNIT	TOLERANCE	LTR	REVISION RECORD	NAME	DATE	LTR	REVISION RECORD	NAME	DATE
Tom Shih		mm	.0 ±0.30	△3	修改尺寸及物性表規格, 新增生產P數, 更新圖框	Eddie	2021/02/17	△4			
CHECKED BY	PROJ	VER NO.	.00 ±0.20	△4				△5			
Erin Chou		a3	.000 ±0.10	△5				△6			
DRAWN BY	DATE	SIZE	ANGLE	△7				△8			
Eddie	2021/02/17	A4	0° ±1°	△8				△9			
			.0° ±	△9							
			SHEET 1/1	△9							

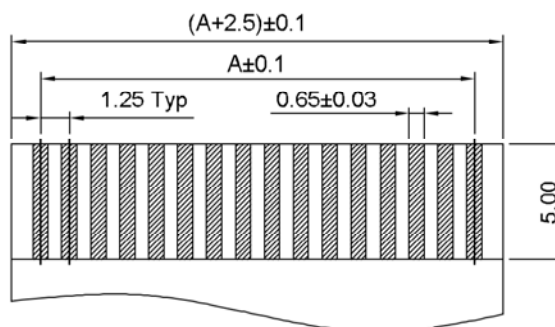
CUSTOMER

Conforms to The RoHS Instruction

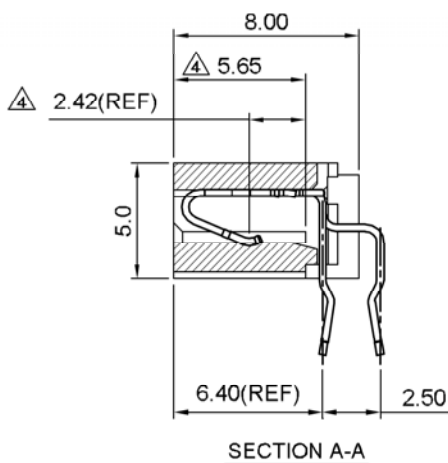
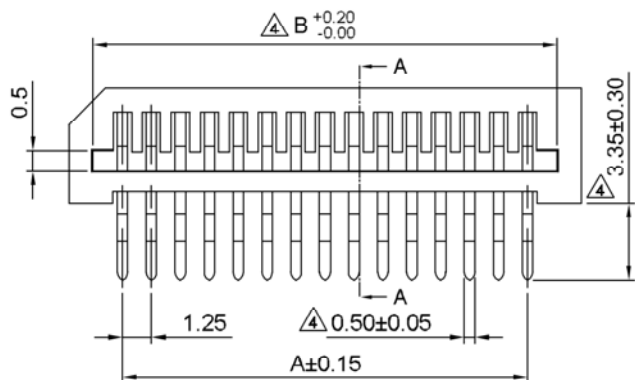


Recommended PCB Layout

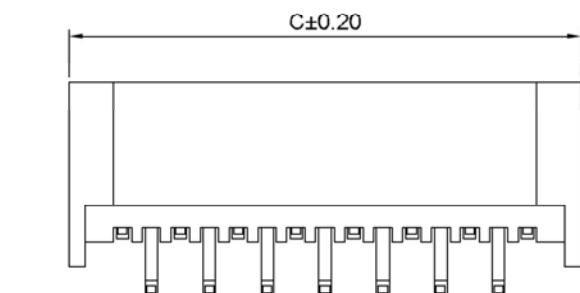
General Tolerance ±0.05



Applicable FPC/FFC T=0.30±0.05



SECTION A-A



### ■ SPECIFICATIONS

- Voltage Rating : 250V AC/DC
- Current Rating : 1A AC/DC
- Withstanding Voltage : 500V AC/minute
- Insulation Resistance : 1000M Ω min
- △• Temperature Range : - 25 °C to + 85 °C
- Contact Resistance : 20m Ω max

### ■ FFC/FPC CONNECTOR

- Part No. : JS-1155AR-XX(XX)

① ②

① Poles : 4-30(Right Angle, Upper Contact)

△ ② Base : Blank : PBT

9T : PA 9T

- Material : Contact : Phos. Bronze, Tin Plated  
Base : Refer the above options

- Q' ty : 1000 pcs/Tube Pack

Poles	Dimensions (mm)			Poles	Dimensions (mm)		
	A	B	C		A	B	C
4	3.75	6.30	8.40	18	21.25	23.80	25.90
5	5.00	7.55	9.65	19	22.50	25.05	27.15
6	6.25	8.80	10.90	20	23.75	26.30	28.40
7	7.50	10.05	12.15	21	25.00	27.55	29.65
8	8.75	11.30	13.40	22	26.25	28.80	30.90
9	10.00	12.55	14.65	23	27.50	30.05	32.15
10	11.25	13.80	15.90	24	28.75	31.30	33.40
11	12.50	15.05	17.15	25	30.00	32.55	34.65
12	13.75	16.30	18.40	26	31.25	33.80	35.90
13	15.00	17.55	19.65	27	32.50	35.05	37.15
14	16.25	18.80	20.90	28	33.75	36.30	38.40
15	17.50	20.05	22.15	29	35.00	37.55	39.65
16	18.75	21.30	23.40	30	36.25	38.80	40.90
17	20.00	22.55	24.65				



喬訊電子工業股份有限公司  
CHYAO SHIUNN  
ELECTRONIC INDUSTRIAL LTD.

APPROVED BY	SCALE	UNIT	TOLERANCE	LTR	REVISION RECORD	NAME	DATE	LTR	REVISION RECORD	NAME	DATE
Tom Shih		mm	.0 ±0.30	△	新增塑料選項, 修改尺寸, 更新圖框	Eddie	2020/06/12	△			
CHECKED BY	PROJ	VER NO.	.00 ±0.20	△				△			
Erin Chou		a4	.000 ±0.10	△				△			
DRAWN BY	DATE	SIZE	ANGLE	△					CUSTOMER		
Eddie	2020/06/12	A4	0° ±1°	△					Conforms to The RoHS Instruction		
			.0° ±	△							
			SHEET 1/1	△							

PART NO JS-1155AR-XX(XX)

1.25mm NON-ZIF Connectors(Single Beam Upper Contact Style)