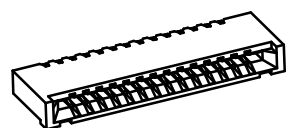
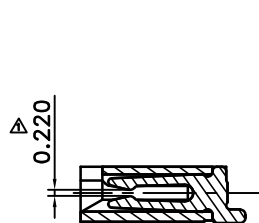
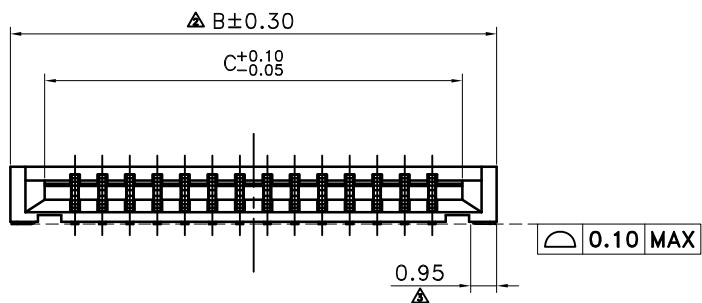
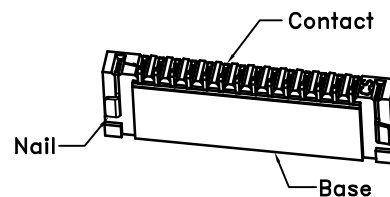
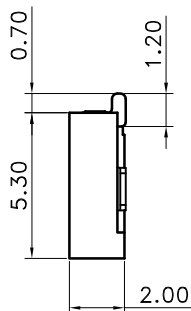
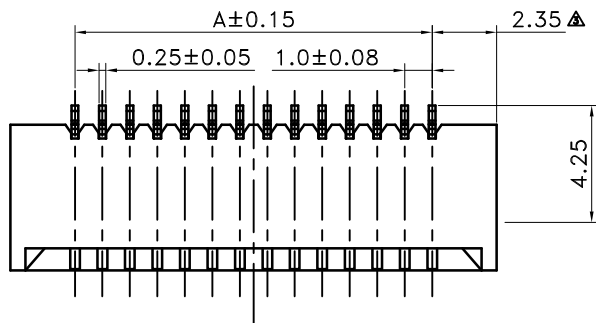


Recommended FFC/FPC DIM



14PIN 3D VIEW

■ SPECIFICATIONS

- Current Rating : 0.5A AC/DC
- Withstanding Voltage : 500V AC/minute
- Insulation Resistance : 800MΩmin
- Temperature Range : - 25C° to + 85C°
- Contact Resistance : 20mΩmax

■ FFC/FPC CONNECTOR

- Part No. : JS-1157H1-XXNH
- Poles : 04~20
- Material :
  - 1.Contact : Phos. Bronze ,Tin Plated
  - 2.Base : LCP,UL94V-0
  - 3.Nail:Brass,Tin Plated
- Q'ty/Package : 2,000 pcs/Reel

Poles	Dimensions (mm)		
	A	B	C
4	3.0	7.7	5.2
5	4.0	8.7	6.2
6	5.0	9.7	7.2
7	6.0	10.7	8.2
8	7.0	11.7	9.2
9	8.0	12.7	10.2
10	9.0	13.7	11.2
11	10.0	14.7	12.2
12	11.0	15.7	13.2
13	12.0	16.7	14.2
14	13.0	17.7	15.2
15	14.0	18.7	16.2
16	15.0	19.7	17.2
17	16.0	20.7	18.2
18	17.0	21.7	19.2
19	18.0	22.7	20.2
20	19.0	23.7	21.2



喬訊電子工業股份有限公司  
CHYAO SHIUNN  
ELECTRONIC INDUSTRIAL LTD.

PART NO JS-1157H1-XXNH

1.00mm NON-ZIF FPC SMT Horizontal Dual Contact Style

APPROVED BY	SCALE	UNIT	TOLERANCE	LTR	REVISION RECORD	NAME	DATE	LTR	REVISION RECORD	NAME	DATE
張育瑞		mm	.0 ±0.30	△	新增剖面視圖及夾持尺寸	林豐盛	11/11/21	△			
CHECKED BY	PROJ	VER NO.	.00 ±0.20	△	修改Layout與標示B	周慈雲	2012/09/14	△			
黃科源	⊕ □	a3	.000 ±0.10	△	修改耳扣相關尺寸	吳小平	2016/03/24	△			
DRWN BY	DATE	SIZE	ANGLE						CUSTOMER		
吳小平	2016/03/24	A4	0° ±1°	△					Conforms to The RoHS Instruction		
			.0° ±	△							
			SHEET	1/1	△						