

REV	ECN.NO.	REVISIONS	REV.DRAWN	DATE
D		整理发行	CHEN	05-08/30
E		修正电镀规格说明	Yuqilong	07-02/14
F		默认公差整理发行	Yuqilong	07-08/25
G		增加三维示意图	YangSong	19-03/21

SPECIFICATIONS

- . Voltage Rating : 50V AC/DC
- . Current Rating : 0.5A AC/DC
- . Withstanding Voltage : 500V AC/minute
- . Insulation Resistance ; 1,000MΩ min
- . Temperature Range : -25°C to +85°C
- . Contact Resistance : 30mΩ max

FEATURES

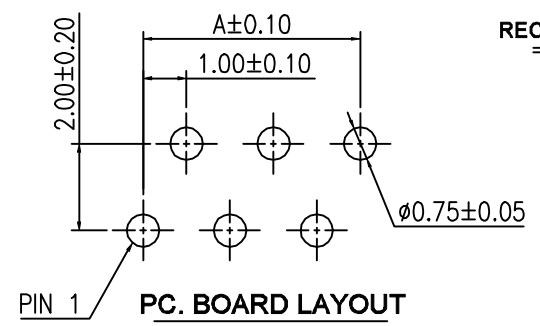
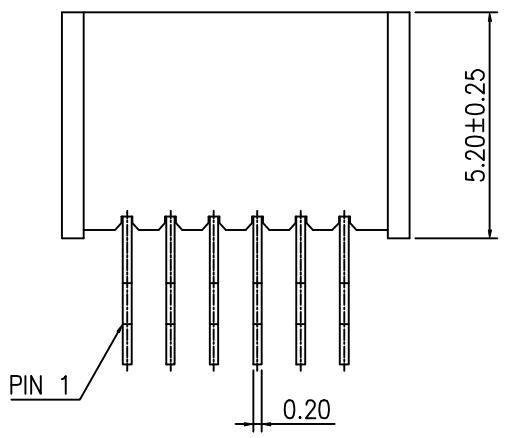
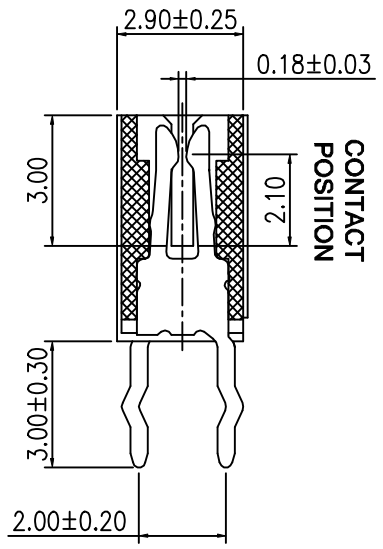
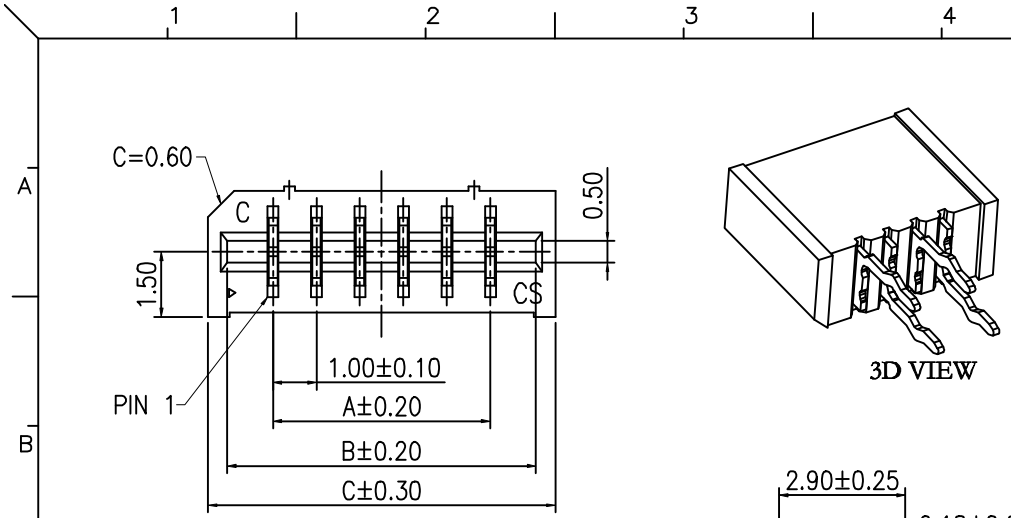
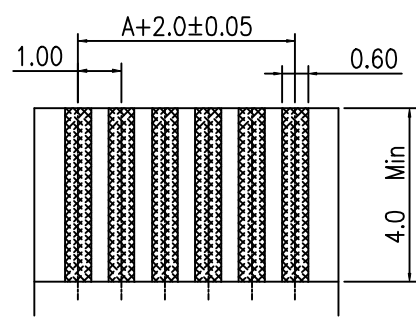
FFC/FPC CONNECTOR
Part No. : JS-1156-XXXX

- Poles : 2~30
- T1: Sn>50u Ni>30u
 - Blank & T2: Sn>100u Ni>30u
 - G0: Flash Ni>30u
 - G1: Au>3u Ni>30u
 - G2: Au>5u Ni>30u
 - G3: Au>10u Ni>45u

- . Poles : 2~30
- . Material : Contact : Phos.Bronze,Tin Plated, Gold Plated
Base : Nylon PA9T UL 94V-0
- . Q'ty : pcs/Tape

POLES	DIMENSIONS				DIMENSIONS		
	A	B	C		A	B	C
2	1.00	3.10	4.00	16	15.00	17.10	18.00
3	2.00	4.10	5.00	17	16.00	18.10	19.00
4	3.00	5.10	6.00	18	17.00	19.10	20.00
5	4.00	6.10	7.00	19	18.00	20.10	21.00
6	5.00	7.10	8.00	20	19.00	21.10	22.00
7	6.00	8.10	9.00	21	20.00	22.10	23.00
8	7.00	9.10	10.00	22	21.00	23.10	24.00
9	8.00	10.10	11.00	23	22.00	24.10	25.00
10	9.00	11.10	12.00	24	23.00	25.10	26.00
11	10.00	12.10	13.00	25	24.00	26.10	27.00
12	11.00	13.10	14.00	26	25.00	27.10	28.00
13	12.00	14.10	15.00	27	26.00	28.10	29.00
14	13.00	15.10	16.00	28	27.00	29.10	30.00
15	14.00	16.10	17.00	29	28.00	30.10	31.00
				30	29.00	31.10	32.00

RECOMMEND APPLICABLE FPC LAYOUT
THICKNESS 0.30±0.03

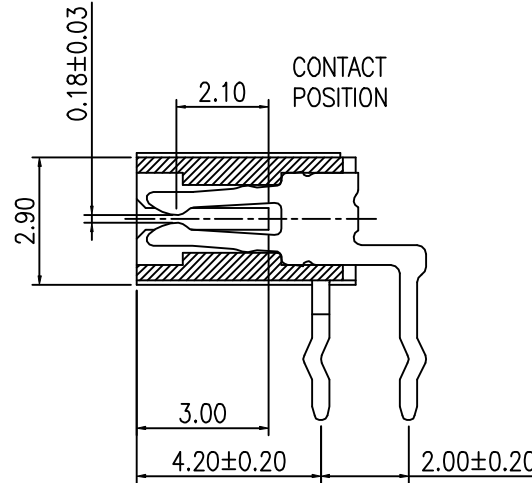
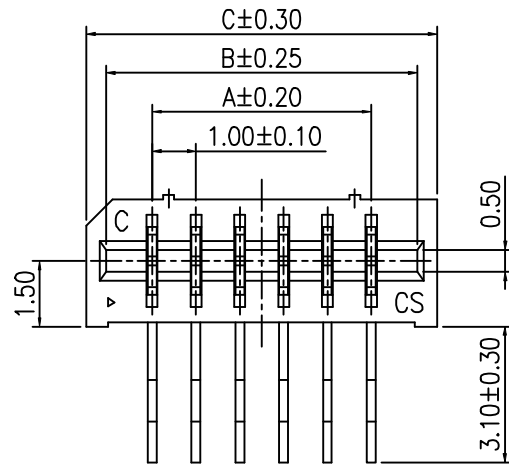


X.± 0.50	X'.± 5.00'	UNITS	MM	NAME(INTENDED USE)	CHYAO SHUINN ELECTRONIC (SHANGHAI) CO.,LTD.
.X± 0.30	.X'± 2.00'	MAT'L		CUSTOMER	
.XX± 0.20	.XX'± 1.00'			PART NO.(INTENDED USE)	TITLE:
.XXX± 0.10	.XXX'± 0.50'	FINISH		JS-1156-XX XX	FFC/FPC CONNECTORS
THESE DRAWINGS AND SPECIFICATIONS ARE THE PROPERTY OF CHYAO SHUINN ELECTRONIC CO., LTD. AND SHALL NOT BE REPRODUCED, COPIED OR USED IN ANY MANNER WITHOUT THE PRIOR WRITTEN CONSENT OF CHYAO SHUINN ELECTRONIC CO., LTD.				APPD:	DWG NO.:
		Q'TY		CHKD:	020-0097-1156
				DR: Yuqilong	07-08/25
					SCALE SHEET REV.
					1/6 1/1 G

符合环境管理物质



REV	ECN.NO.	REVISIONS	REV.DRAWN	DATE
D		整理发行	YU	06/10/18
E		重新整理默认公差发行	Yuqilong	07/06/25
F		更正电气性能	Zuochao	14/06/25



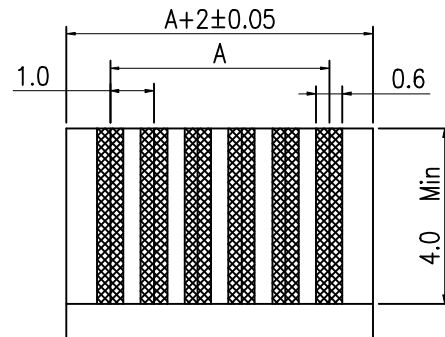
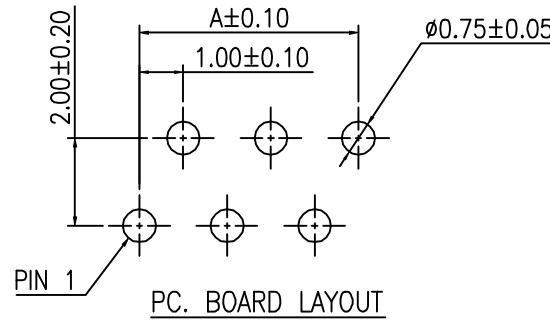
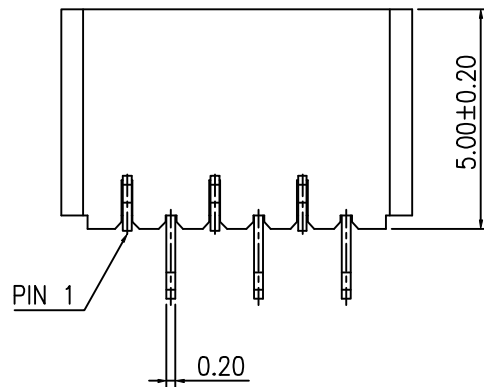
SPECIFICATIONS

- . Voltage Rating : 50V AC/DC
- . Current Rating : 0.5A AC/DC
- . Withstanding Voltage : 500V AC/minute
- . Insulation Resistance ; 1,000MΩ min
- . Temperature Range : -25°C to +85°C
- . Contact Resistance : 30mΩ max

FEATURES

FFC/FPC CONNECTOR

- . Part No. : JS-1156R-XX
- . Poles : 2~30
- . Material : Contact : Phos.Bronze,Gold/Tin Plated
Base : Nylon PA9T UL 94V-0
- . Q'ty : pcs/Tape



RECOMMEND APPLICABLE FPC LAYOUT

THICKNESS 0.30±0.03

POLES	DIMENSIONS			POLES	DIMENSIONS		
	A	B	C		A	B	C
2	1.00	3.10	4.00	16	15.00	17.10	18.00
3	2.00	4.10	5.00	17	16.00	18.10	19.00
4	3.00	5.10	6.00	18	17.00	19.10	20.00
5	4.00	6.10	7.00	19	18.00	20.10	21.00
6	5.00	7.10	8.00	20	19.00	21.10	22.00
7	6.00	8.10	9.00	21	20.00	22.10	23.00
8	7.00	9.10	10.00	22	21.00	23.10	24.00
9	8.00	10.10	11.00	23	22.00	24.10	25.00
10	9.00	11.10	12.00	24	23.00	25.10	26.00
11	10.00	12.10	13.00	25	24.00	26.10	27.00
12	11.00	13.10	14.00	26	25.00	27.10	28.00
13	12.00	14.10	15.00	27	26.00	28.10	29.00
14	13.00	15.10	16.00	28	27.00	29.10	30.00
15	14.00	16.10	17.00	29	28.00	30.10	31.00
				30	29.00	31.10	32.00



符合环境管理物质

X.± 0.50	X ^c .± 5.00'	UNITS	MM	NAME(INTENDED USE)	CHYAO SHIUNN ELECTRONIC (SHANGHAI) CO.,LTD.
.X± 0.30	.X ^c ± 2.00'	MAT'L		CUSTOMER	
.XX± 0.20	.XX ^c ± 1.00'			PART NO.(INTENDED USE)	TITLE:
.XXX± 0.10	.XXX ^c ± 0.50'	FINISH		JS-1156R-XX	FFC/FPC CONNECTORS
THESE DRAWINGS AND SPECIFICATIONS ARE THE PROPERTY OF CHYAO SHIUNN ELECTRONIC CO., LTD. AND SHALL NOT BE REPRODUCED, COPIED OR USED IN ANY MANNER WITHOUT THE PRIOR WRITTEN CONSENT OF CHYAO SHIUNN ELECTRONIC CO., LTD.				APPD:	DWG NO.:
		Q'TY		CHKD:	020-0098-1156
				DR: Yuqilong	07-06/25
					SCALE SHEET REV.
					1/6 1/1 F

1

2

3

4

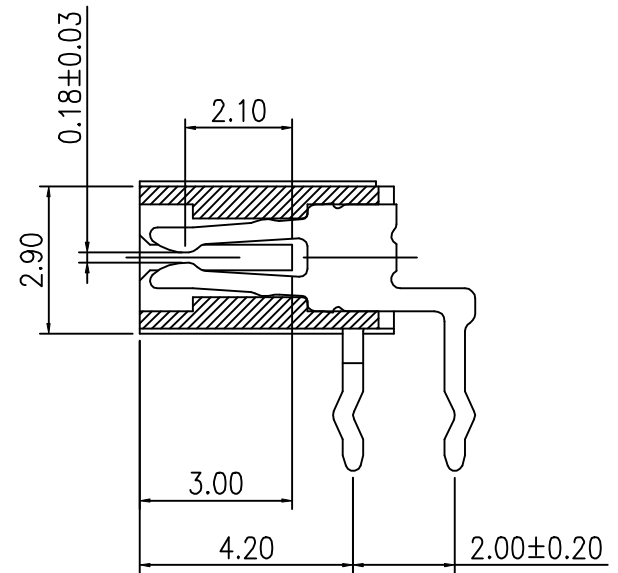
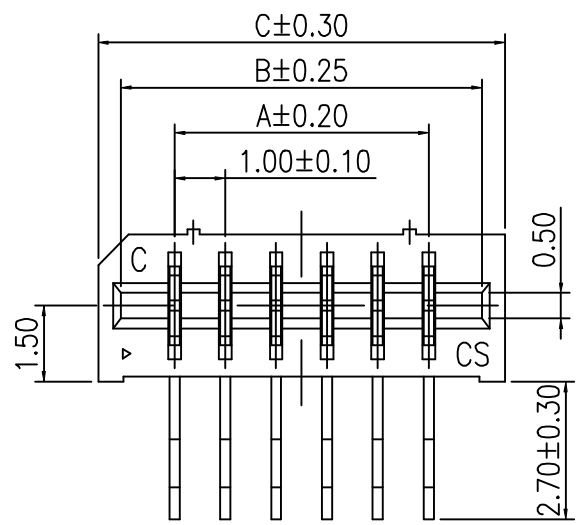
5

6

7

8

REV	ECN.NO.	REVISIONS	REV.DRAWN	DATE
A		初版发行	Yuqilong	07-03/13
B		默认公差整理发行	Yuqilong	07/06/25
C		更正电气性能	Zuochao	14/06/25

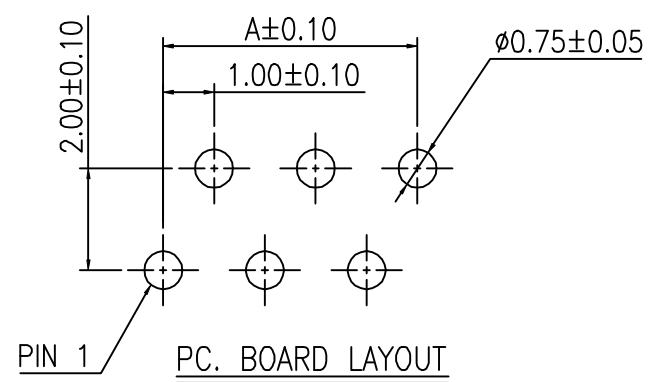
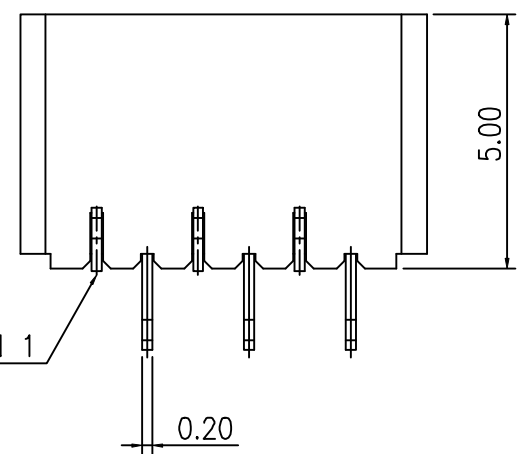


SPECIFICATIONS

- . Voltage Rating : 50V AC/DC
- . Current Rating : 0.5A AC/DC
- . Withstanding Voltage : 500V AC/minute
- . Insulation Resistance ; 1,000MΩ min
- . Temperature Range : -25°C to +85°C
- . Contact Resistance : 30mΩ max

FEATURES

- FFC/FPC CONNECTOR
- . Part No. : JS-1156R-XX(M)
 - . Poles : 2~30
 - . Material : Contact : Phos.Bronze,Tin Plated(matte sn)
 - Base : Nylon PA9T UL 94V-0
 - . Q'ty : 2,000 pcs/Tape &Reel



POLES	DIMENSIONS			POLES	DIMENSIONS		
	A	B	C		A	B	C
2	1.00	3.10	4.00	16	15.00	17.10	18.00
3	2.00	4.10	5.00	17	16.00	18.10	19.00
4	3.00	5.10	6.00	18	17.00	19.10	20.00
5	4.00	6.10	7.00	19	18.00	20.10	21.00
6	5.00	7.10	8.00	20	19.00	21.10	22.00
7	6.00	8.10	9.00	21	20.00	22.10	23.00
8	7.00	9.10	10.00	22	21.00	23.10	24.00
9	8.00	10.10	11.00	23	22.00	24.10	25.00
10	9.00	11.10	12.00	24	23.00	25.10	26.00
11	10.00	12.10	13.00	25	24.00	26.10	27.00
12	11.00	13.10	14.00	26	25.00	27.10	28.00
13	12.00	14.10	15.00	27	26.00	28.10	29.00
14	13.00	15.10	16.00	28	27.00	29.10	30.00
15	14.00	16.10	17.00	29	28.00	30.10	31.00
				30	29.00	31.10	32.00



符合环境管理物质

X.	0.50	X'±	5.0'	UNITS	mm	NAME(INTENDED USE)	CHYAO SHIUNN ELECTRONIC (SHANGHAI) CO.,LTD.
.X	0.30	.X'±	2.0'	MAT'L		CUSTOMER	
.XX	0.20	.XX'±	1.0'	FINISH		PART NO.(INTENDED USE)	TITLE:
.XXX	0.10	.XXX'±	0.5'	Q'TY		JS-1156R-XX(M)	FFC/FPC CONNECTORS
THESE DRAWINGS AND SPECIFICATIONS ARE THE PROPERTY OF CHYAO SHIUNN ELECTRONIC CO., LTD. AND SHALL NOT BE REPRODUCED, COPIED OR USED IN ANY MANNER WITHOUT THE PRIOR WRITTEN CONSENT OF CHYAO SHIUNN ELECTRONIC CO., LTD.						APPD:	DWG NO.:
						CHKD:	020-0060-1156R-XX(M)
						DR: Yuqilong	2007/06/25
						SCALE	SHEET
						3:1	1/1
						REV.	C

REV	ECN.NO.	REVISIONS	REV.DRAWN	DATE
D		整理发行	CHEN	05-09/30
E		重新整理默认公差发行	Yuqilong	07-09/25
F		整理图画	sunquan	13-02/28
G		更正电气性能	Zuoohao	14-09/25
H		增加三维示意图	YangSong	19-03/21

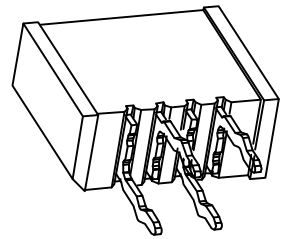
SPECIFICATIONS

- . Voltage Rating : 50V AC/DC
- . Current Rating : 0.5A AC/DC
- . Withstanding Voltage : 500V AC/minute
- . Insulation Resistance : 1,000MΩ min
- . Temperature Range : -25°C to +85°C
- . Contact Resistance : 30mΩ max

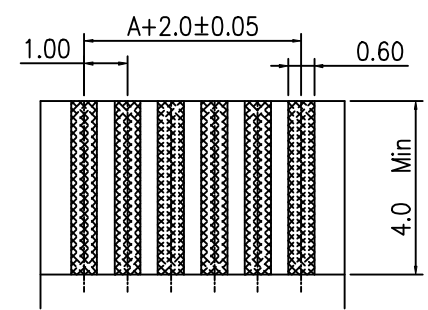
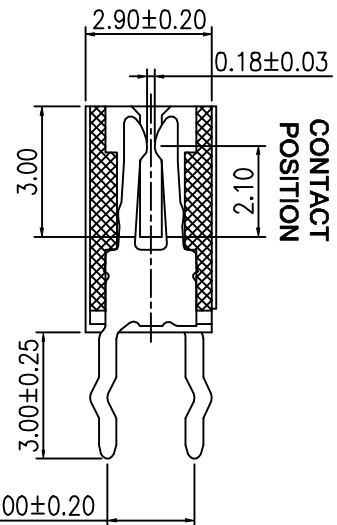
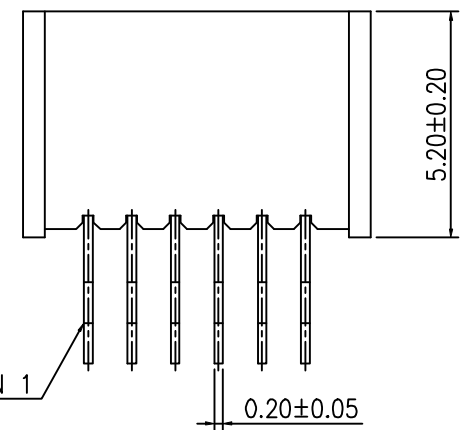
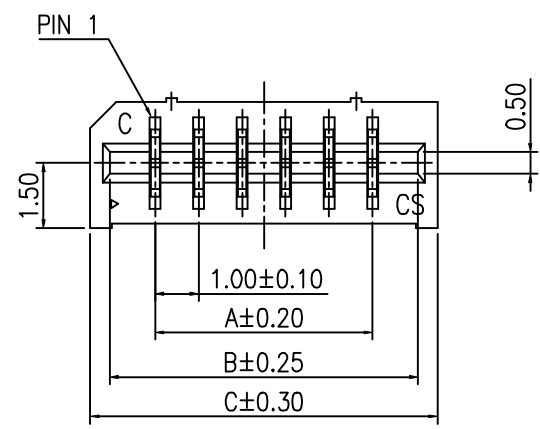
FEATURES

- FFC/FPC CONNECTOR
- Part No. : JS-1156S-XXXX
- Poles : 2~30
- Blank : Tin Plated
- G0: Gold Plated

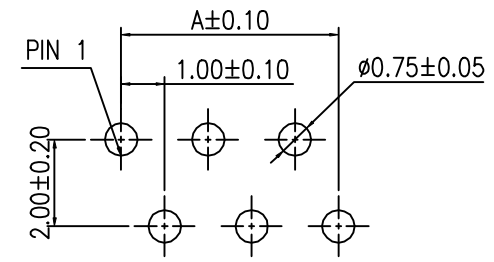
- . Material : Contact : Phos.Bronze, Tin Plated/Gold Plated
- Base : Nylon PA9T UL 94V-0
- . Q'ty : pcs/Tape



3D VIEW



RECOMMEND APPLICABLE FPC LAYOUT
THICKNESS 0.30±0.03



PC. BOARD LAYOUT

POLES	DIMENSIONS			POLES	DIMENSIONS		
	A	B	C		A	B	C
2	1.00	3.10	4.00	16	15.00	17.10	18.00
3	2.00	4.10	5.00	17	16.00	18.10	19.00
4	3.00	5.10	6.00	18	17.00	19.10	20.00
5	4.00	6.10	7.00	19	18.00	20.10	21.00
6	5.00	7.10	8.00	20	19.00	21.10	22.00
7	6.00	8.10	9.00	21	20.00	22.10	23.00
8	7.00	9.10	10.00	22	21.00	23.10	24.00
9	8.00	10.10	11.00	23	22.00	24.10	25.00
10	9.00	11.10	12.00	24	23.00	25.10	26.00
11	10.00	12.10	13.00	25	24.00	26.10	27.00
12	11.00	13.10	14.00	26	25.00	27.10	28.00
13	12.00	14.10	15.00	27	26.00	28.10	29.00
14	13.00	15.10	16.00	28	27.00	29.10	30.00
15	14.00	16.10	17.00	29	28.00	30.10	31.00
				30	29.00	31.10	32.00

X.± 0.40	X'.± 5.00'	UNITS mm	NAME(INTENDED USE)	CHYAO SHUINN ELECTRONIC (SHANGHAI) CO.,LTD.
.X± 0.30	.X'± 2.00'	MAT'L	CUSTOMER	
.XX± 0.20	.XX'± 1.00'	-	PART NO.(INTENDED USE)	TITLE:
.XXX± 0.10	.XXX'± ---	FINISH	JS-1156S-XX	FFC/FPC CONNECTORS
THESE DRAWINGS AND SPECIFICATIONS ARE THE PROPERTY OF CHYAO SHUINN ELECTRONIC CO., LTD. AND SHALL NOT BE REPRODUCED, COPIED OR USED IN ANY MANNER WITHOUT THE PRIOR WRITTEN CONSENT OF CHYAO SHUINN ELECTRONIC CO., LTD.			APPD:	DWG NO.:
			CHKD:	020-0097-1156
			DR: Yuqilong	07-08/25
			SCALE	SHEET
			1/6	1/1
			REV.	/

符合环境管理物质

