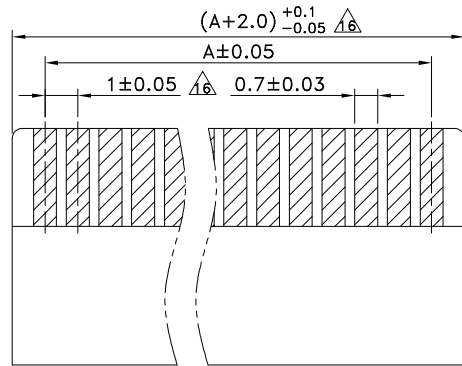
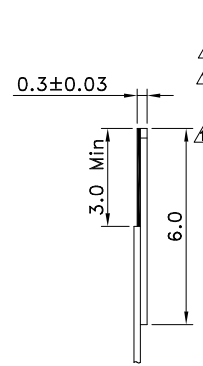


RECOMMENDED PCB LAYOUT



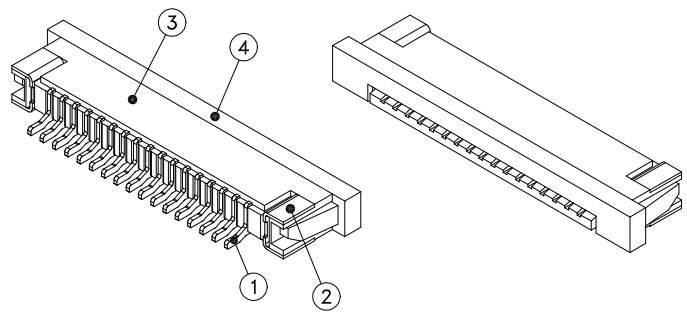
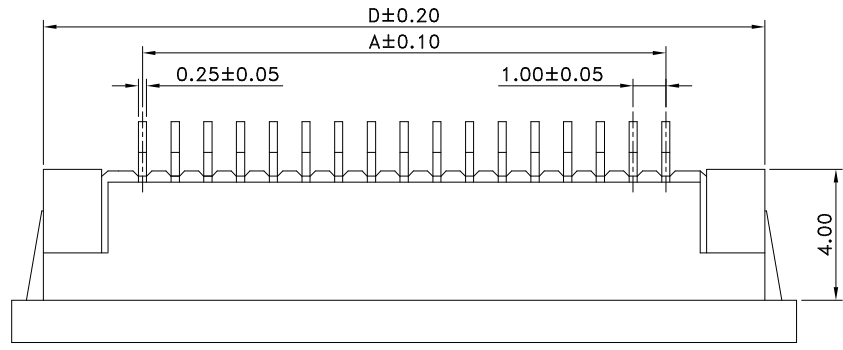
RECOMMENDED FPC/FFC DIMENSION



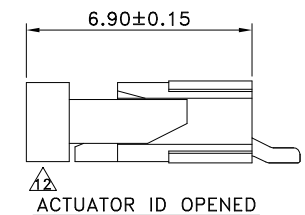
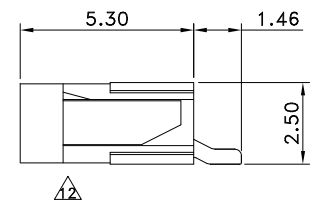
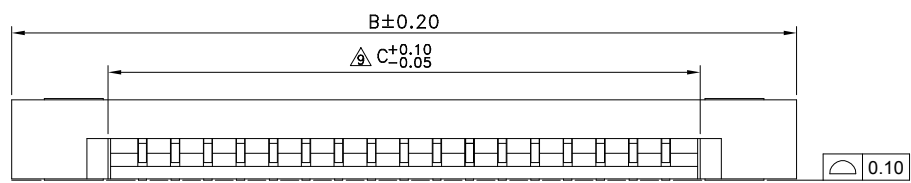
- SPECIFICATIONS
- Current Rating : 0.5A AC/DC
 - Withstanding Voltage : 200V AC/minute
 - Insulation Resistance : 500mΩ min
 - Temperature Range : - 25℃ to + 85℃
 - Contact Resistance : 30mΩ max

- FFC/FPC
- Part No. : JS-1157D-XX (X) X
 - Product Code ① ② ③
 - ① Poles : 04~30
 - ② Plated : Blank : Tin Plated
G : Glod Flash
 - ③ Packing : Blank : Tape & Reel
/A : Tube

- Material :
1. Contact : Phos. Bronze
 2. Solder Nail : Phos. Bronze, Tin Plated
 3. Base : LCP UL94V-0, Color:Nature
 4. Actuator : LCP UL94V-o, Color:Black



3D VIEW



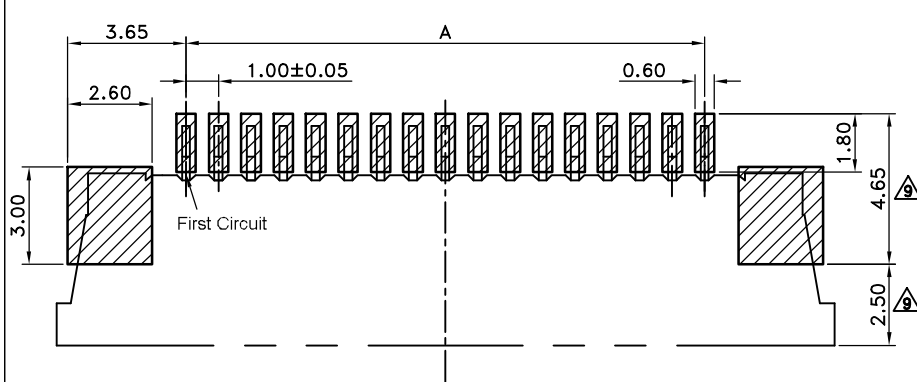
ACTUATOR ID OPENED

Poles	Dimension			
	A	B	C	D
4	3.00	11.00	5.10	9.05
5	4.00	12.00	6.10	10.05
6	5.00	13.00	7.10	11.05
7	6.00	14.00	8.10	12.05
8	7.00	15.00	9.10	13.05
9	8.00	16.00	10.10	14.05
10	9.00	17.00	11.10	15.05
11	10.00	18.00	12.10	16.05
12	11.00	19.00	13.10	17.05
13	12.00	20.00	14.10	18.05
14	13.00	21.00	15.10	19.05
15	14.00	22.00	16.10	20.05
16	15.00	23.00	17.10	21.05
17	16.00	24.00	18.10	22.05
18	17.00	25.00	19.10	23.05
19	18.00	26.00	20.10	24.05
20	19.00	27.00	21.10	25.05
21	20.00	28.00	22.10	26.05
22	21.00	29.00	23.10	27.05
23	22.00	30.00	24.10	28.05
24	23.00	31.00	25.10	29.05
25	24.00	32.00	26.10	30.05
26	25.00	33.00	27.10	31.05
27	26.00	34.00	28.10	32.05
28	27.00	35.00	29.10	33.05
29	28.00	36.00	30.10	34.05
30	29.00	37.00	31.10	35.05

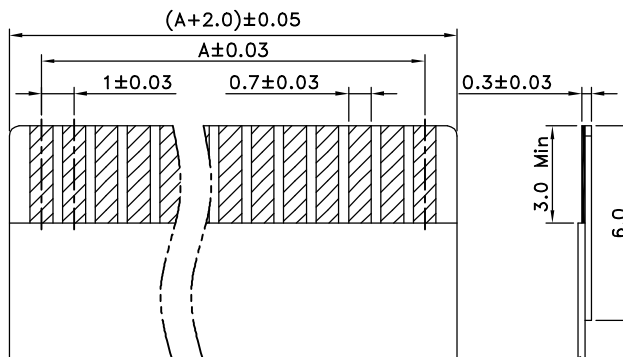
喬訊電子工業股份有限公司
CHYAO SHIUNN
ELECTRONIC INDUSTRIAL LTD.

APPROVED BY	SCALE	UNIT	TOLERANCE	LTR	REVISION RECORD	NAME	DATE	LTR	REVISION RECORD	NAME	DATE
Tom Shih		mm	.0 ±0.30	△	修改C尺寸公差及增加3D視圖	王誠賢	2010/12/23	△	add packing option	Eddie	2018/11/09
CHECKED BY	PROJ	VER NO.	.00 ±0.20	△	尺寸變動	王誠賢	2012/02/01	△	放寬FPC tolerances	Erin	2020/03/23
Tom Shih		a16	.000 ±0.10	△	增加Layout位置尺寸	周慈雲	2012/07/26	△			
DRAWN BY	DATE	SIZE	ANGLE	△	修正Solder Nail 材質	吳弘文	2013/01/21		CUSTOMER		
Erin Chou	2020/03/23	A4	0° ±1°	△	修正產品外觀	吳弘文	2014/09/03				
			.0° ±	△	依規格書修定耐電壓	吳弘文	2015/06/23		Conforms to The RoHS Instruction		
			SHEET 1/1	△	新增鍍金選項	Eddie	2018/10/16				

PART NO JS-1157D-XX(X)
1.00mm FPC/FFC CONNECTOR, SIDE ENTRY & LOWER CONTACT (H=2.5mm)



RECOMMENDED PCB LAYOUT



RECOMMENDED FPC/FFC DIMENSION

■ SPECIFICATIONS

- Current Rating : 0.5A AC/DC
- Withstanding Voltage : 200V AC/minute Δ
- Insulation Resistance : 500m Ω min
- Temperature Range : - 25°C to + 85°C
- Contact Resistance : 30m Ω max

■ FFC/FPC

- Part No. : JS-1157U-XX(X)

① ②

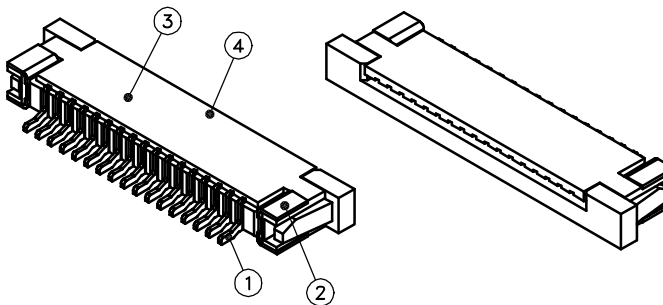
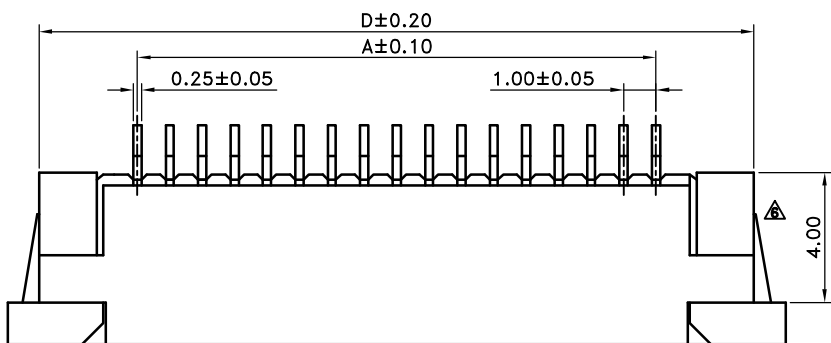
Ordering Code:

- ① Poles : 04~30
- ② Finish : Blank : Matte-Tin Plated (120u' min. Matte Tin over 30u' min. NICKEL)
- G : Gold Flash (0.6u' min. Au over 30u' min. NICKEL) Δ Δ

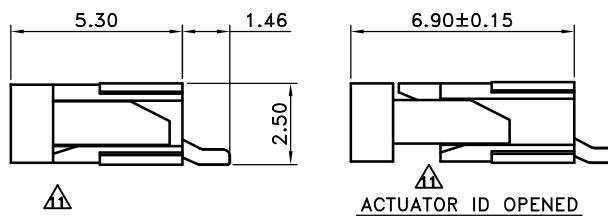
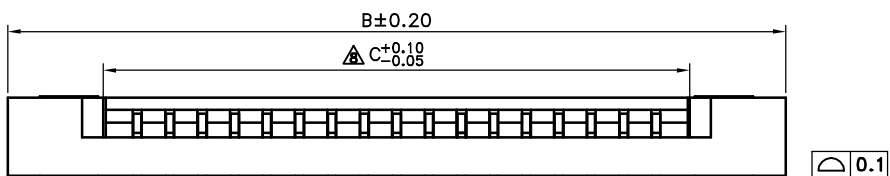
• Material :

1. Contact : Phos. Bronze
2. Solder Nail : Phos. Bronze Δ
3. Base : LCP UL94V-0, Color:Nature
4. Actuator : LCP UL94V-0, Color:Black
5. Finish : Refer The Above Option

- Q' ty : 1,500 pcs./Tape & Reel



3D VIEW

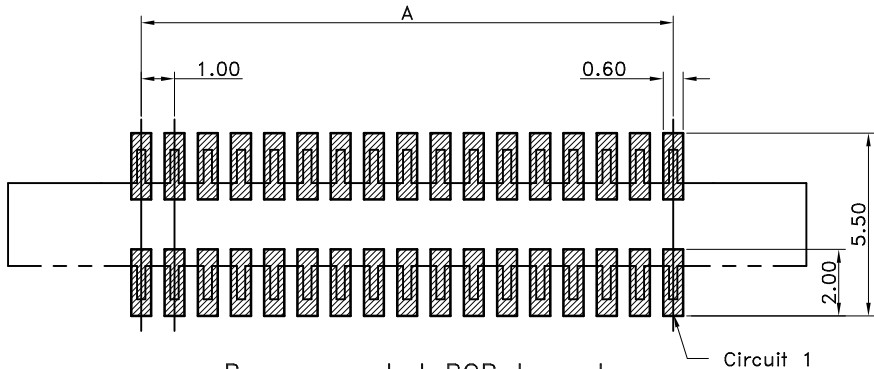


Poles	Dimension			
	A	B	C	D
4	3.00	11.00	5.10	9.05
5	4.00	12.00	6.10	10.05
6	5.00	13.00	7.10	11.05
7	6.00	14.00	8.10	12.05
8	7.00	15.00	9.10	13.05
9	8.00	16.00	10.10	14.05
10	9.00	17.00	11.10	15.05
11	10.00	18.00	12.10	16.05
12	11.00	19.00	13.10	17.05
13	12.00	20.00	14.10	18.05
14	13.00	21.00	15.10	19.05
15	14.00	22.00	16.10	20.05
16	15.00	23.00	17.10	21.05
17	16.00	24.00	18.10	22.05
18	17.00	25.00	19.10	23.05
19	18.00	26.00	20.10	24.05
20	19.00	27.00	21.10	25.05
21	20.00	28.00	22.10	26.05
22	21.00	29.00	23.10	27.05
23	22.00	30.00	24.10	28.05
24	23.00	31.00	25.10	29.05
25	24.00	32.00	26.10	30.05
26	25.00	33.00	27.10	31.05
27	26.00	34.00	28.10	32.05
28	27.00	35.00	29.10	33.05
29	28.00	36.00	30.10	34.05
30	29.00	37.00	31.10	35.05

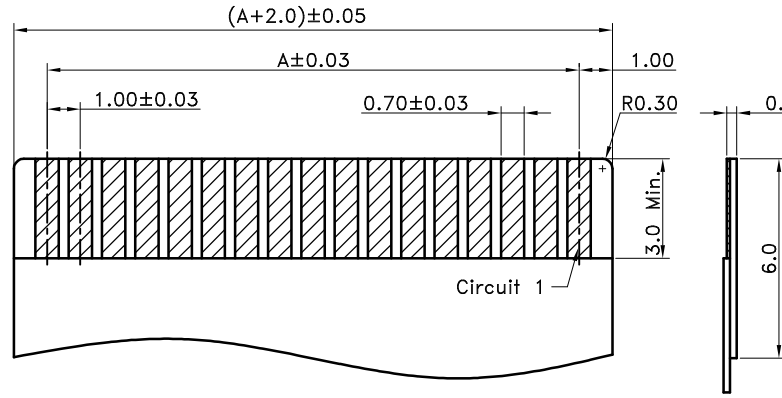
CS 喬訊電子工業股份有限公司
CHYAO SHIUNN
ELECTRONIC INDUSTRIAL LTD.

PART NO JS-1157U-XX
1.00mm FPC/FFC CONNECTOR, SIDE ENTRY & UPPER CONTACT (H=2.5mm)

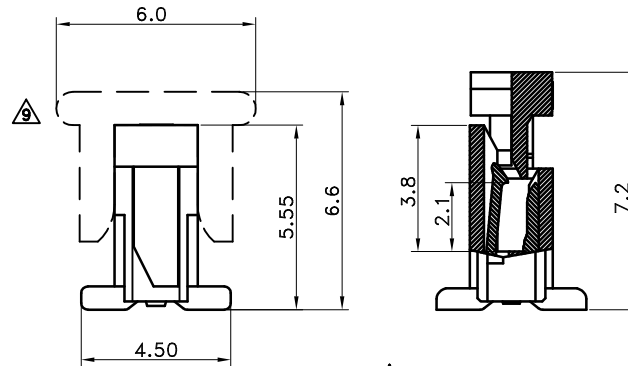
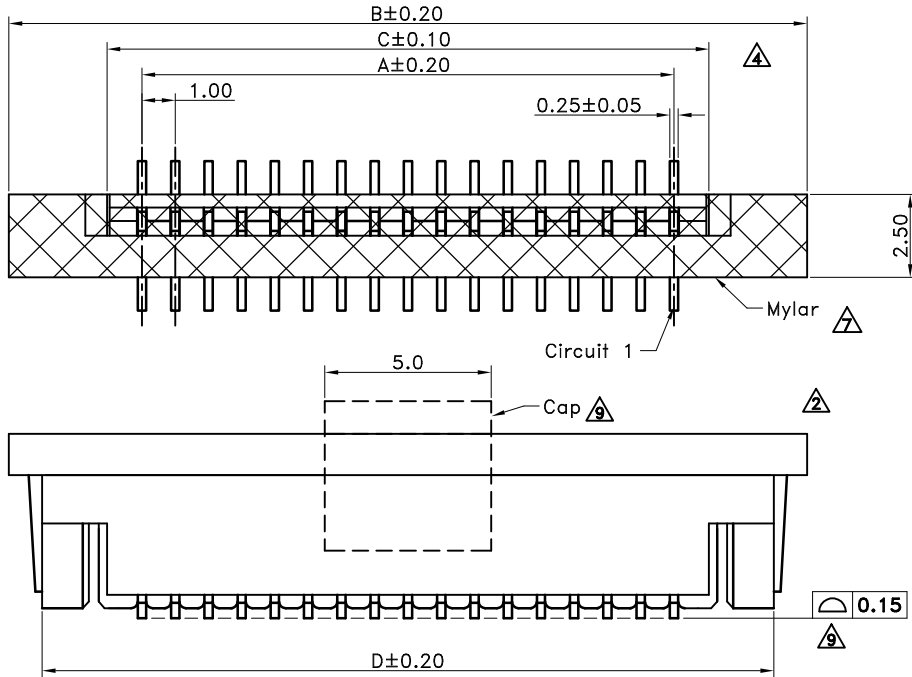
APPROVED BY	SCALE	UNIT	TOLERANCE	LTR	REVISION RECORD	NAME	DATE	LTR	REVISION RECORD	NAME	DATE
Tom Shih		mm	.0 ±0.30	Δ	尺寸變動	王誠賢	2012/02/01	Δ			
CHECKED BY	PROJ	VER NO.	.00 ±0.20	Δ	增加Layout2尺寸	周慈雲	2012/07/26	Δ			
周家慶	\odot \square	a14	.000 ±0.10	Δ	修正Solder Nail 材質	吳弘文	2013/01/21	Δ			
DRAWN BY	DATE	SIZE	ANGLE		產品外觀修正	吳弘文	2014/09/03	CUSTOMER			
劉娜	2019/02/28	A4	0°	±1°	依規格書修定電氣規格	吳弘文	2015/06/24				
			0°	±	新增鍍金電鍍選項	Tom Lee	2017/02/23				
			SHEET	1/1	新增電鍍膜厚標準要求	劉娜	2019/02/28	Conforms to The RoHS Instruction			



Recommended PCB Layout
General Tolerance ± 0.05



Applicable FFC Thickness 0.30mm



- SPECIFICATIONS
- Current Rating : 0.5A AC/DC
 - Withstanding Voltage : 200V AC/minute
 - Insulation Resistance : 500m Ω min
 - Temperature Range : - 25°C to + 85°C
 - Contact Resistance : 30m Ω max

- FFC/FPC CONNECTOR
- Part No. : JS-1157V-XX X XX(X)
- ① Poles : 04~30
② Accessory :
Blank : Without CAP
M : With Mylar
C : With Cap
③ Packing: Blank: Tape&Reel
A : Tube
④ Plated : Blank: Matte-Tin plated
G: Gold Flash
- Material :
⑥ 1. Contact : Phosphor. Bronze
2. Base : LCP UL94V-0, Color:Nature
3. Latch : LCP UL94V-o, Color:Black
- Q' ty :
③ 1. Reel : 900 pcs.
2. Tube : 1,000 pcs.

Poles	Dimensions (mm)			
	A	B	C	D
4	3.00	11.00	5.10	9.05
5	4.00	12.00	6.10	10.05
6	5.00	13.00	7.10	11.05
7	6.00	14.00	8.10	12.05
8	7.00	15.00	9.10	13.05
9	8.00	16.00	10.10	14.05
10	9.00	17.00	11.10	15.05
11	10.00	18.00	12.10	16.05
12	11.00	19.00	13.10	17.05
13	12.00	20.00	14.10	18.05
14	13.00	21.00	15.10	19.05
15	14.00	22.00	16.10	20.05
16	15.00	23.00	17.10	21.05
17	16.00	24.00	18.10	22.05
18	17.00	25.00	19.10	23.05
19	18.00	26.00	20.10	24.05
20	19.00	27.00	21.10	25.05
21	20.00	28.00	22.10	26.05
22	21.00	29.00	23.10	27.05
23	22.00	30.00	24.10	28.05
24	23.00	31.00	25.10	29.05
25	24.00	32.00	26.10	30.05
26	25.00	33.00	27.10	31.05
27	26.00	34.00	28.10	32.05
28	27.00	35.00	29.10	33.05
29	28.00	36.00	30.10	34.05
30	29.00	37.00	31.10	35.05

喬訊電子工業股份有限公司
CHYAO SHIUNN
ELECTRONIC INDUSTRIAL LTD.

PART NO JS-1157V-XXXXX(X)

1.00mm FPC CONN, VERTICAL TYPE

APPROVED BY	SCALE	UNIT	TOLERANCE	LTR	REVISION RECORD	NAME	DATE	LTR	REVISION RECORD	NAME	DATE
Tom Shih		mm	.0 ± 0.30	△	Chang Lost	---	----	△	Modify electric spec.	Jeff	2015/06/24
CHECKED BY	PROJ	VER NO.	.00 ± 0.20	△	Modify structure	Indiana	2008/10/01	△	Add cap & packing Options	Jeff	2016/06/14
Erin Chou	⊕	a10	.000 ± 0.10	△	Modify Q' ty	Indiana	2009/04/20	△	Add plated Options	Tom Lee	2017/08/22
DRAWN BY	DATE	SIZE	ANGLE	△	Modify tolerance	Tom	2010/01/04	CUSTOMER			
Tom Lee	2017/08/22	A4	0° $\pm 1°$	△	Add cap options	Tom	2011/12/16				
			.0° \pm	△	Remove excess material described	Jeff	2013/01/21	Conforms to The RoHS Instruction			
			SHEET 1/1	△	Add section,mylar options	Jeff	2015/04/16				