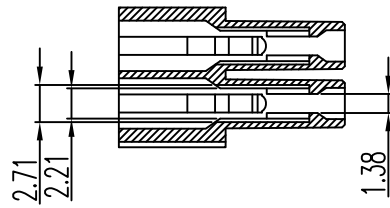
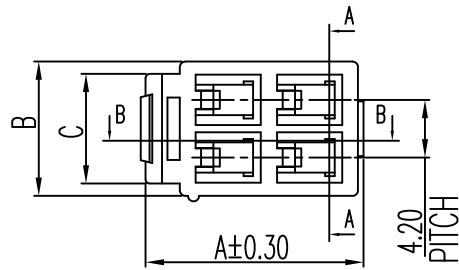


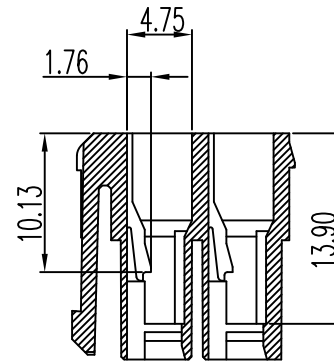
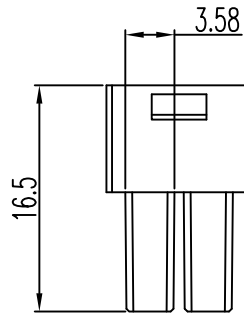
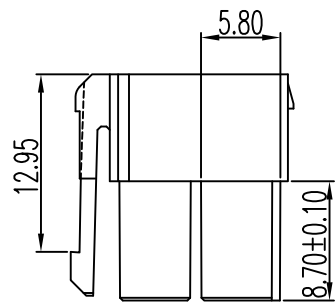
REV	ECN.NO.	REVISIONS	REV.DRAWN	DATE
B		增加PIN位	CARRY	08-05/26
C		增加无卤料号说明	Yuqilong	2008/11/17
D		修改料号编码	sunquan	2010/10/21
E		整理图面, 料号	sunquan	2011/08/01



SECTION A-A

HOUSING

- Part No: JS-2420-2xXX-XXXX-NH
 - Poles: 2X02~2X04
 - Blank: PA66
 - D1: PA66(G.F.)
 - Material: PA66, UL94V-0
 - Q'ty: 1,000pcs/Bag
 - Halogen free product identification LOGO on the packing
- Blank: Normal
NH: Halogen Free
Blank: Nature



SECTION B-B

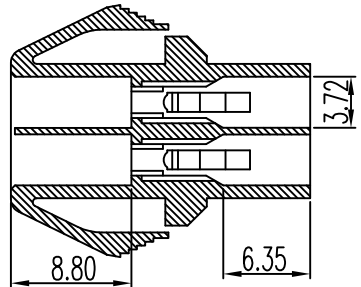
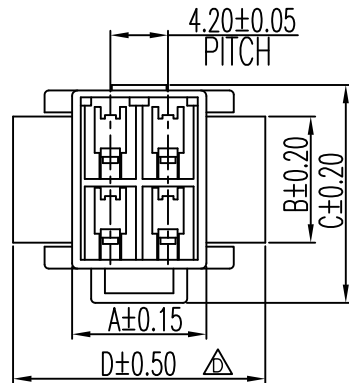
2X04	15.90	18.20	9.80
2X03	15.90	14.00	9.80
2X02	15.90	9.80	8.00
POLE NO.	A	B	C



符合环境管理物质

X.± 0.40	X°.± 5.0°	UNITS mm	NAME(INTENDED USE) CUSTOMER	CHYAO SHIUNN ELECTRONIC (SHANGHAI) CO.,LTD.
.X± 0.30	.X°.± 2.0°			
.XX± 0.20	.XX°.± 1.0°	MAT'L	PART NO.(INTENDED USE) JS-2420-XX-NH	TITLE: 4.20mm Crimp Style Connector
.XXX± 0.10	.XXX°.± ---			
THESE DRAWINGS AND SPECIFICATIONS ARE THE PROPERTY OF CHYAO SHIUNN ELECTRONIC CO., LTD. AND SHALL NOT BE REPRODUCED, COPIED OR USED IN ANY MANNER WITHOUT THE PRIOR WRITTEN CONSENT OF CHYAO SHIUNN ELECTRONIC CO., LTD.		FINISH	APPD: liuzhiwen 2011/08/01	DWG NO.: 020-0057-2420-XX
		Q'TY	CHKD:	SCALE SHEET REV. 2:1 1/1 E
			DR: Yuqilong 2008/11/17	

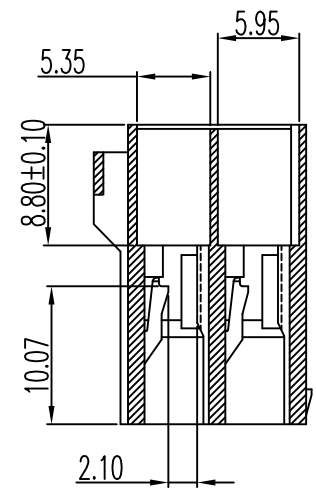
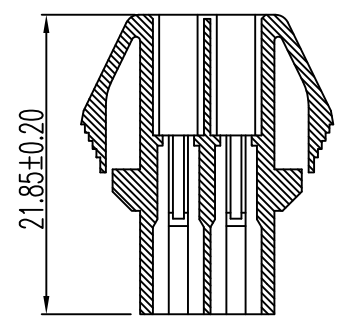
REV	ECN.NO.	REVISIONS	REV.DRAWN	DATE
C	/	增加无卤料号说明	Yuqilong	2008/11/17
D	09107	卡扣尺寸及公差变更	hejihuai	2009/06/16
E	/	增加D1料说明	sunquan	2009/12/22
F	/	去除2x01规格, 单排产品单独出图	sunquan	2011/08/02



SECTION A-A

HOUSING

- Part No: JS-2421-2xXX-XX-NH
- Poles: 2X02~2X04
- Blank: PA66
- D1: PA66(G.F.)
- Blank: Normal
- NH: Halogen Free
- Material: PA66, UL94V-0; Colour: Nature
- Q'ty: 1,000pcs/Bag
- Halogen free product identification LOGO on the packing



2X04	18.20	9.20	15.90	26.20
2X03	14.00	9.20	15.90	22.00
2X02	9.80	9.20	15.90	17.80
POLE NO.	A	B	C	D



符合环境管理物质

X.± 0.40	X°.± 5.0°	UNITS mm	NAME(INTENDED USE) CUSTOMER	CHYAO SHIUNN ELECTRONIC (SHANGHAI) CO.,LTD.
.X± 0.30	.X°.± 2.0°			
.XX± 0.20	.XX°.± 1.0°	FINISH /	PART NO.(INTENDED USE) JS-2421-2xXX-NH	TITLE: 4.20mm Crimp Style Connector
.XXX± 0.10	.XXX°.± ---		APPD: liuzhiwen 2011.08.02	DWG NO.: 020-0058-2421-2xXX
THESE DRAWINGS AND SPECIFICATIONS ARE THE PROPERTY OF CHYAO SHIUNN ELECTRONIC CO., LTD. AND SHALL NOT BE REPRODUCED, COPIED OR USED IN ANY MANNER WITHOUT THE PRIOR WRITTEN CONSENT OF CHYAO SHIUNN ELECTRONIC CO., LTD.			Q'TY	CHKD:
			DR: sunquan 2011.08.02	SCALE SHEET REV. 2:1 1/1 F