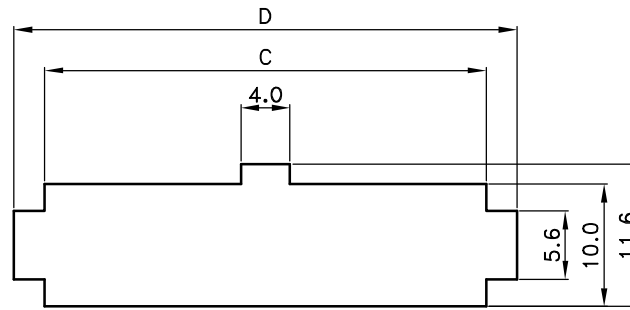


JS-1148-XXWO/E(XX)
Without Mounting Ears



PANEL CUTOUT DIMENSION

■ SPECIFICATIONS

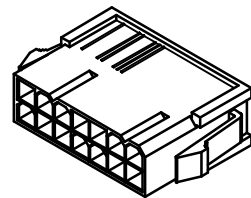
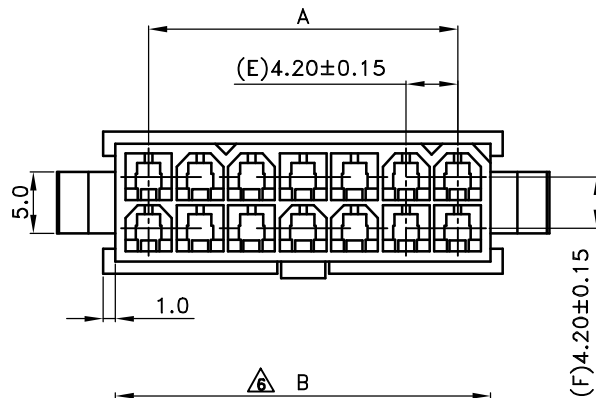
- Current Rating : 7A AC/DC
- Withstanding Voltage : 1,500V AC/minute
- Insulation Resistance : 1,000MΩ min
- Temperature Range : - 40°C to + 105°C
- Contact Resistance : 20mΩ max

■ RECEPTACLE HOUSING

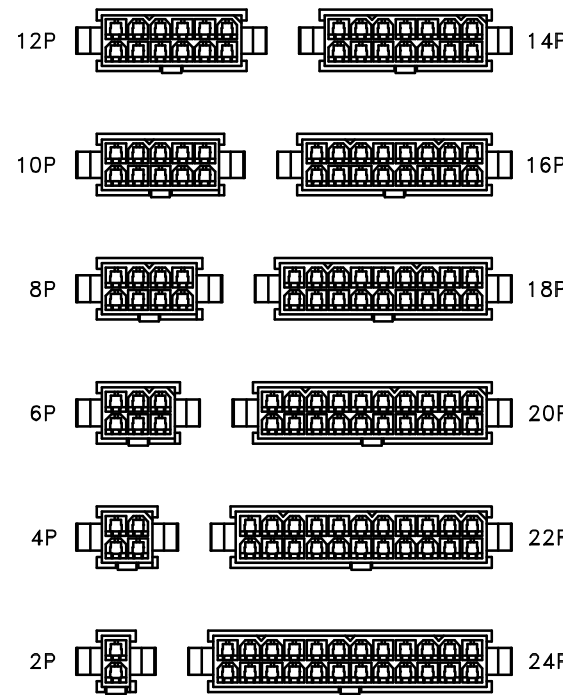
- Part No. : JS-1148-XXXX(XX)XX
① ② ③ ④

Ordering Code

- ① Poles No. : 02~24
- △ ② Structure :
Blank : With ear
WO/E : Without ear
- △ △ ③ Material :
Blank : Nylon 66 UL94V-2
V0 : Nylon 66 UL94V-0
△ GW : Nylon66 UL94V-0(Glow Wire)
- △ ④ Base Color :
Blank : Nature
BK : Black (For V0 , V2)
BU : Blue
R : Red

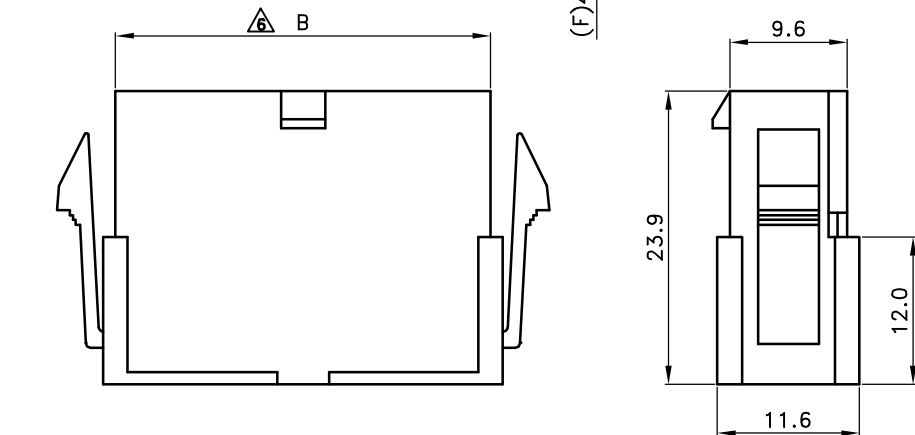


JS-1148-XX(XX)
With Mounting Ears



PRODUCT VIEW

Poles	Dimensions(mm)			
	A	△ △ B	C	D
2	----	5.40±0.20	5.80	10.80
4	4.20±0.15	9.60±0.20	10.00	15.00
6	8.40±0.20	13.80±0.25	14.20	19.20
8	12.60±0.20	18.00±0.25	18.40	23.40
10	16.80±0.30	22.20±0.30	22.60	27.60
12	21.00±0.30	26.40±0.30	26.80	31.80
14	25.20±0.30	30.60±0.30	31.00	36.00
16	29.40±0.30	34.80±0.30	35.20	40.20
18	33.60±0.40	39.00±0.40	39.40	44.40
20	37.80±0.40	43.20±0.40	43.60	48.60
22	42.00±0.40	47.40±0.40	47.80	52.80
24	46.20±0.40	51.60±0.40	52.00	57.00

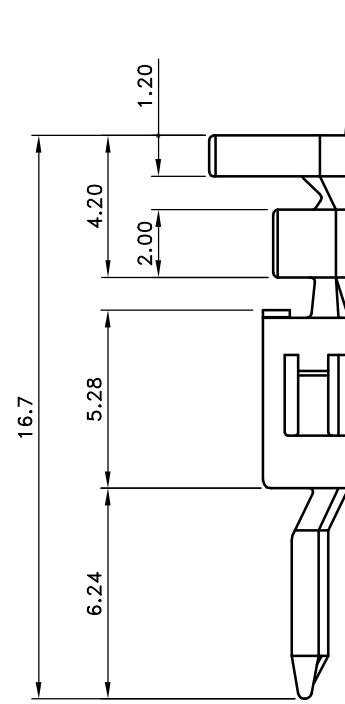
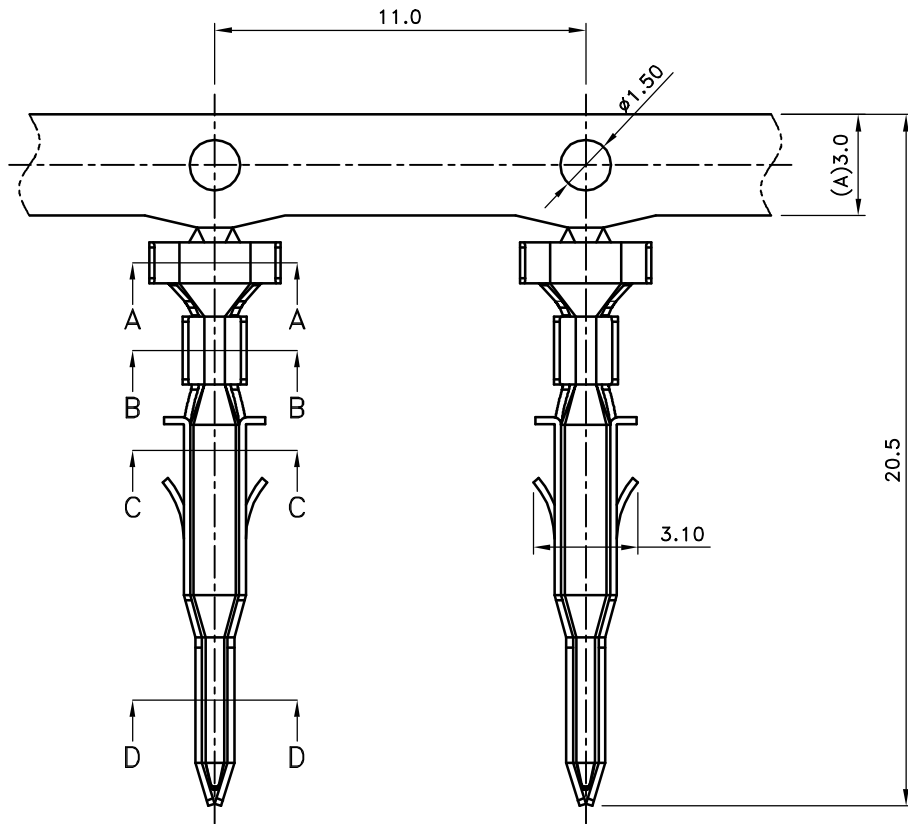


喬訊電子工業股份有限公司
CHYAO SHIUNN
ELECTRONIC INDUSTRIAL LTD.

APPROVED BY	SCALE	UNIT	TOLERANCE	LTR	REVISION RECORD	NAME	DATE	LTR	REVISION RECORD	NAME	DATE
Tom Shih		mm	.0 ±0.30	△	圖面尺寸標注有誤	余秀麗	2005/03/08	△	新增GW材質選項	曾慶根	2017/03/06
CHECKED BY	PROJ	VER NO.	.00 ±0.20	△	變更原因遺失	余秀麗	2005/05/15	△	修正公差	Eddie	2023/11/21
Erin Chou		a9	.000 ±0.10	△	變更原因遺失	劉蓮花	2007/08/10	△			
DRAWN BY	DATE	SIZE	ANGLE		△	大幅修改圖面	黃科源	2008/07/23			
Eddie	2023/11/21	A4	0° ±1°	△	增加一個材質選項	林謙豪	2012/01/06				
			.0° ±	△	依實物量測，將B尺寸修改成與原圖面一致	譚玉華	2015/09/08				
			SHEET 1/1	△	變更料號及增加顏色	林宛盈	2016/05/30				

PART NO JS-1148-XX(XX)XX
4.20mm Dual-Row Wire to Wire Power Connector

CUSTOMER
Conforms to The RoHS Instruction



- SPECIFICATIONS
- Current Rating : 7A AC/DC
- Withstanding Voltage : 1,500V AC/minute
- Insulation Resistance : 1,000MΩ min
- Temperature Range : - 40°C to + 105°C
- Contact Resistance : 20mΩ max

■ TERMINAL

• Part No. : JS-1148-XXTPX

① ② △

① Material: Blank: Brass

PB: Phos. Bronze

② Crimp Angle: Blank: High Crimp

L: Low Crimp

• Applicable Wires :

△ High Crimp : AWG# 18 ~ 22

Low Crimp : AWG# 20 ~ 24

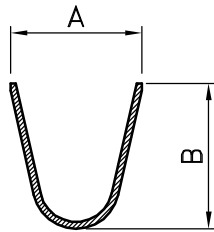
• Material : Refer the above narrative

• Finish : Tin Plated

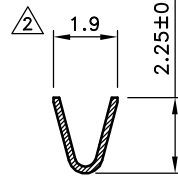
• Thickness : 0.2mm

• Q' ty : 5,000 pcs./Reel

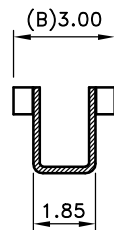
Dim. Crimp	A	B
	TP	3.9
TPL	3.5	3.3



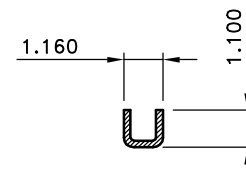
SECTION A-A



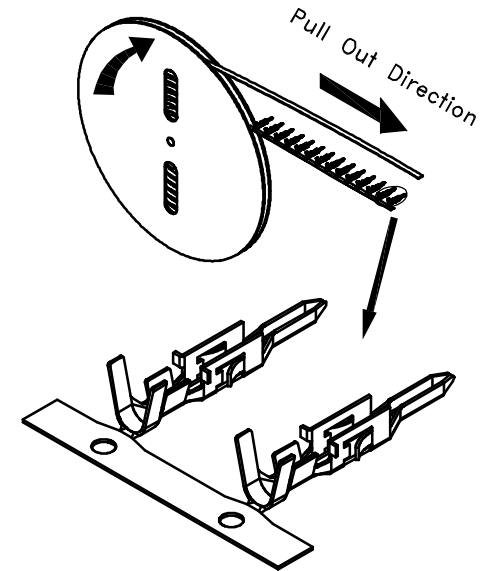
SECTION B-B



SECTION C-C



SECTION D-D

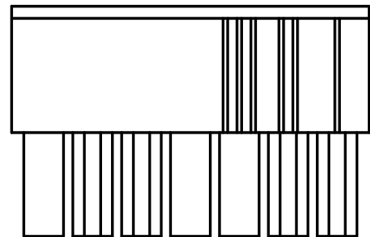
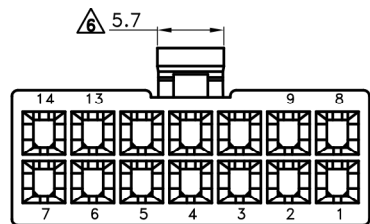
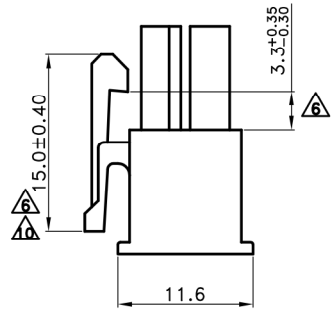
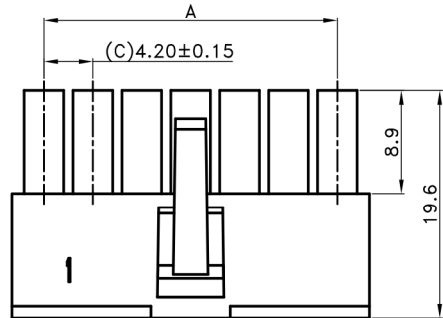
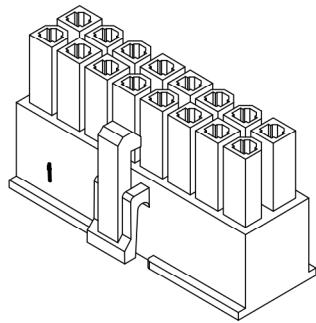
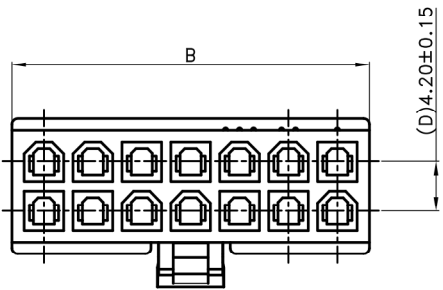


喬訊電子工業股份有限公司

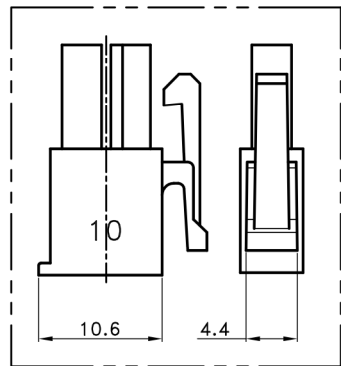
CHYAO SHIUNN
ELECTRONIC INDUSTRIAL LTD.

APPROVED BY	SCALE	UNIT	TOLERANCE	LTR	REVISION RECORD	NAME	DATE	LTR	REVISION RECORD	NAME	DATE
Tom Shih		mm	.0 ±0.30	△	增加C、D剖面圖	林文彬	06/04/21	△			
CHECKED BY	PROJ	VER NO.	.00 ±0.20	△	尺寸修正	陳文松	06/05/24	△			
Erin Chou		a6	.000 ±0.10	△	新增料號	黃科源	06/06/22	△			
DRAWN BY	DATE	SIZE	ANGLE		料號修正並增加高低角	王誠賢	10/08/17		CUSTOMER		
Eddie	2023/11/21	A4	0° ±1°	△	依ECR-00000160修改產品敘述	Tom Lee	16/08/08				
			.0° ±	△	新增線徑規格標示	Eddie	23/11/21		Conforms to The RoHS Instruction		
			SHEET	1/1							

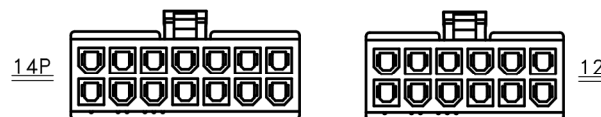
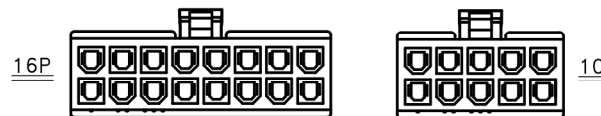
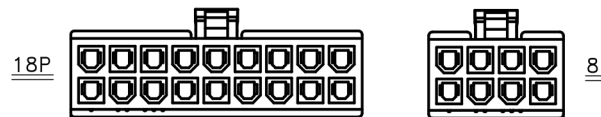
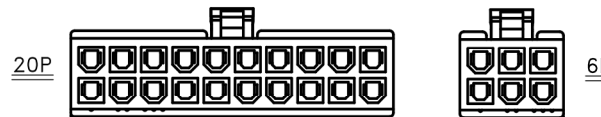
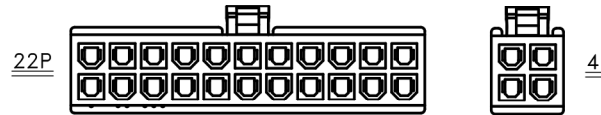
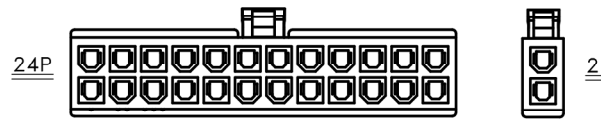
PART NO JS-1148-XXTPX
4.20mm D/R Power Connectors Terminal



BACK VIEW



2P



■ SPECIFICATIONS

- Current Rating : 7A AC/DC
- Withstanding Voltage : 1,500V AC/minute
- Insulation Resistance : 1,000M Ω min
- Temperature Range : -40°C to +105°C
- Contact Resistance : 20m Ω max

■ HOUSING

• Part No. : JS-1149-XX(XX)XX
 ① ② ③

Ordering Code

① Poles No. : 02~24

② Material

Blank : Nylon 66 UL94V-2

V0 : Nylon 66 UL94V-0

GW : Nylon66 UL94V-0(Glow Wire)

③ Color

Blank : Nature

BK : Black (For V0 , V2)

R : Red

BU : Blue

GN : Green

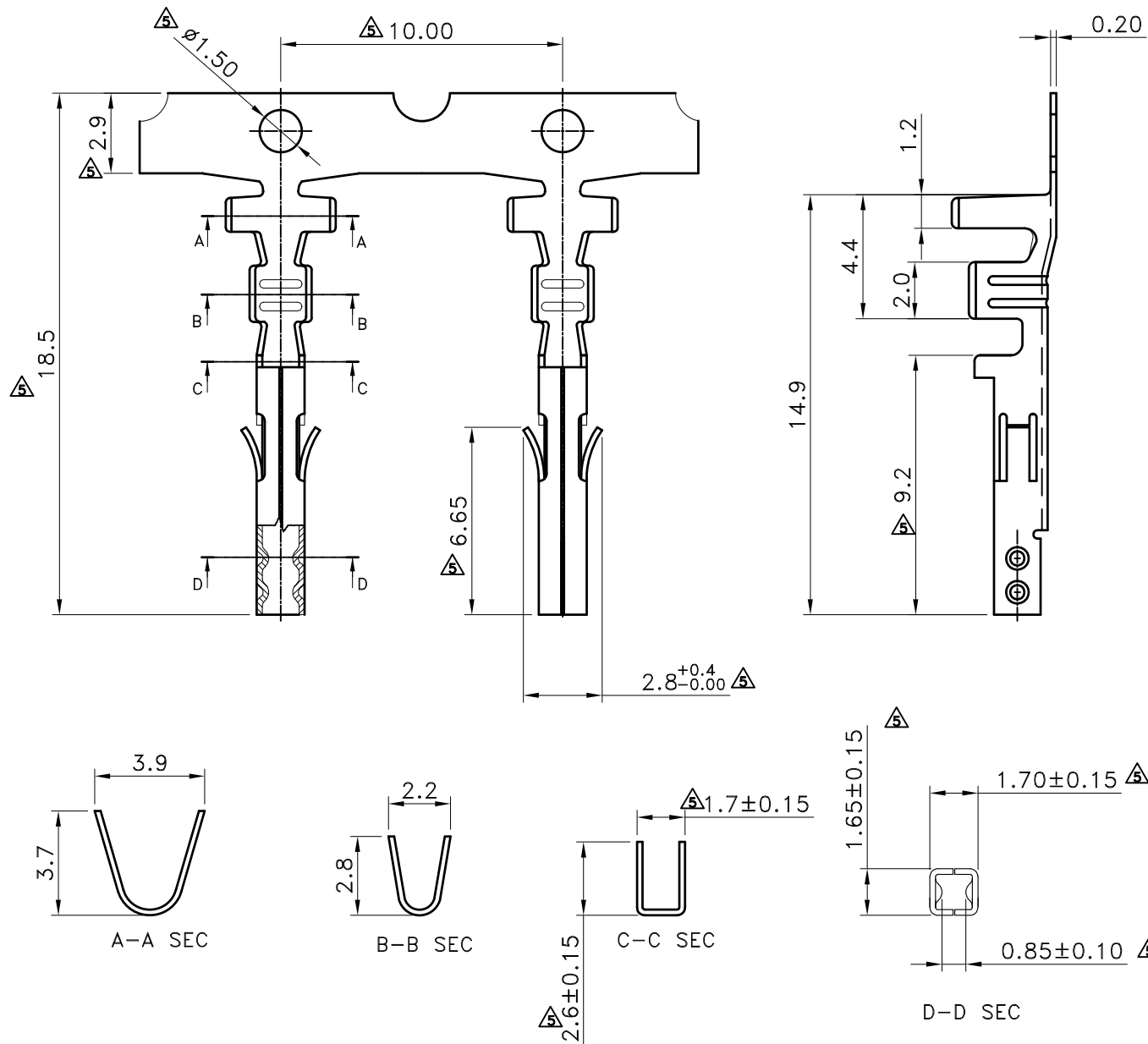
Poles	Dimensions(mm)	
	A	B
2	----	5.60±0.30
4	4.20±0.15	9.80±0.30
6	8.40±0.20	14.00±0.30
8	12.60±0.20	18.20±0.30
10	16.80±0.30	22.40±0.40
12	21.00±0.30	26.60±0.40
14	25.20±0.30	30.80±0.40
16	29.40±0.30	35.00±0.40
18	33.60±0.40	39.20±0.50
20	37.80±0.40	43.40±0.50
22	42.00±0.40	47.60±0.50
24	46.20±0.40	51.80±0.50

喬訊電子工業股份有限公司
 CHYAO SHIUNN
 ELECTRONIC INDUSTRIAL LTD.

PART NO JS-1149-XX(XX)XX

4.20mm Dual-Row Wire to Board Power Connector

APPROVED BY	SCALE	UNIT	TOLERANCE	LTR	REVISION RECORD	NAME	DATE	LTR	REVISION RECORD	NAME	DATE	
Tom Shih		mm	.0 ±0.30		圖面遺失				新增GW材質選項	曾慶根	2017/03/06	
CHECKED BY	PROJ	VER NO.	.00 ±0.20		圖面遺失	劉蓮花	2007/08/10		修正尺寸標註	Eddie	2020/03/26	
張育瑞		a11	.000 ±0.10		修改圖面內容	黃科源	2008/07/23		新增GN顏色選項	劉娜	2020/04/09	
DRAWN BY	DATE	SIZE	ANGLE			CUSTOMER						
劉娜	2020/04/09	A4	0° ±1°		增加尺寸標柱						黃科源	2008/08/28
			0° ±		圖面合併；尺寸做修改						王誠賢	2011/07/29
			SHEET	1/1		增加一個材質選項	林謙豪	2012/01/06	Conforms to The RoHS Instruction			
						變更SM材質料號及增加顏色	林宛盈	2016/05/30				

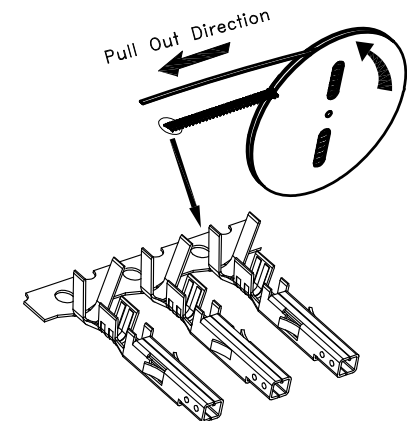


■ SPECIFICATIONS

- Current Rating : 7A AC/DC
- Withstanding Voltage : 1500V AC/minute
- Insulation Resistance : 1000M Ω min
- Temperature Range : - 40 $^{\circ}$ C to + 105 $^{\circ}$ C
- Contact Resistance : 20m Ω max

■ TERMINAL

- Part No. : JS-1149-XXTXX \triangle
- Code No. $\textcircled{1}$
- $\textcircled{1}$ T : Standard Process, Brass
- TP1 : Stamping before Plated, Brass \triangle
- PBTP : Stamping before Plated, Phosphor bronze \triangle
- Applicable Wires : AWG# 18 - 22
- Finish : Tin Plated
- Thickness : 0.2mm
- Q' ty : 5,000 pcs./Reel



喬訊電子工業股份有限公司
CHYAO SHIUNN
ELECTRONIC INDUSTRIAL LTD.

PART NO JS-1149-XXTXX

4.2mm Dip wire to Board Series power Connector (Terminal)

APPROVED BY	SCALE	UNIT	TOLERANCE	LTR	REVISION RECORD	NAME	DATE	LTR	REVISION RECORD	NAME	DATE
張育瑞		mm	.0 ±0.30	\triangle	200605-012	劉蓮花	06/05/24	\triangle	新增PBTP磷銅材質選項	劉娜	2021/5/22
CHECKED BY	PROJ	VER NO.	.00 ±0.20	\triangle	200605-011	劉蓮花	06/05/26	\triangle			
張育瑞	\odot \square	a8	.000 ±0.10	\triangle	DG 200606-005	簡海平	06/06/10	\triangle			
DRAWN BY	DATE	SIZE	ANGLE		\triangle	DG 200606-015	簡海平	06/06/30	CUSTOMER		
劉娜	2021/05/22	A4	0° ±1°	\triangle	T & TP1兩者圖面結合	劉怡萱	2010/12/22				
			.0° ±	\triangle	標示更新	吳弘文	2013/12/09	Conforms to The RoHS Instruction			
			SHEET 1/1	\triangle	依ECR-00000160修改產品敘述	李柏昇	2016/08/05				