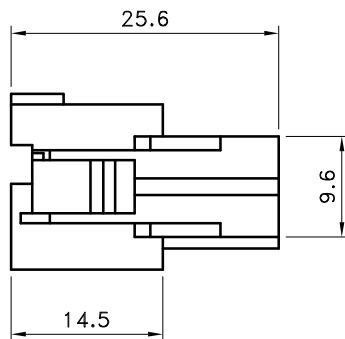
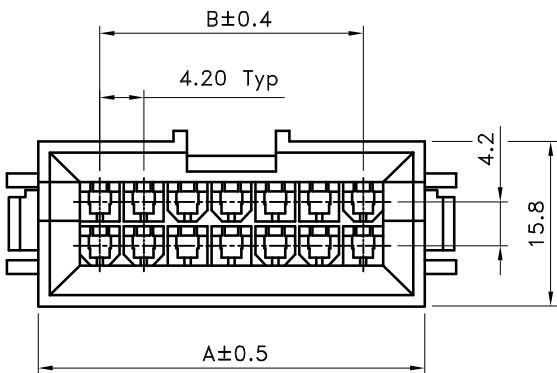
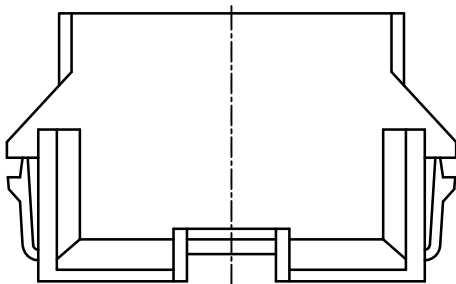


Recommend Panel cut-out
General Tolerance ±0.05



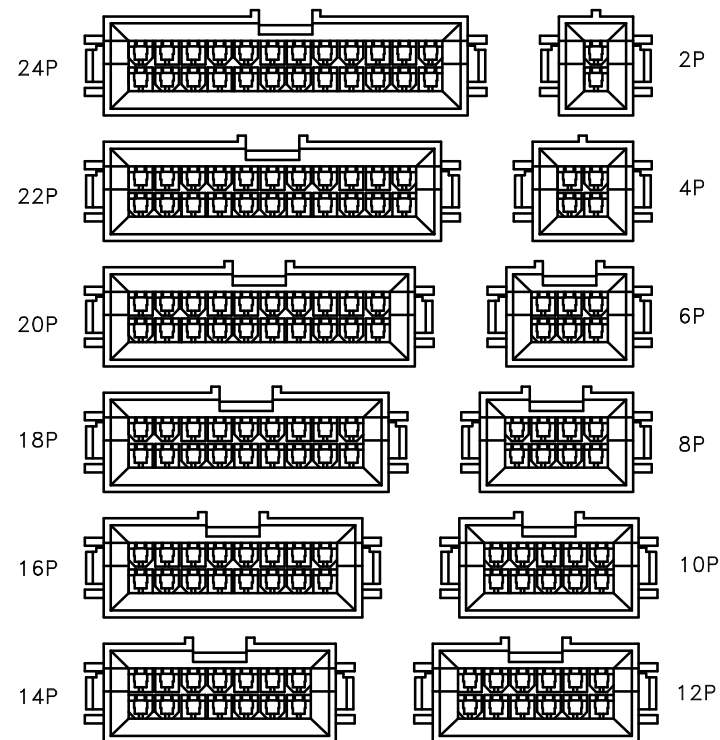
Poles	Part No.	Dimensions(mm)			
		A	B	C	D
2	JS-1148I-02	11.6	—	12.1	15.6
4	JS-1148I-04	15.8	4.2	16.3	19.8
6	JS-1148I-06	20.0	8.4	20.5	24.0
8	JS-1148I-08	24.2	12.6	24.7	28.2
10	JS-1148I-10	28.4	16.8	28.9	32.4
12	JS-1148I-12	32.6	21.0	33.1	36.6
14	JS-1148I-14	36.8	25.2	37.3	40.8
16	JS-1148I-16	41.0	29.4	41.5	45.0
18	JS-1148I-18	45.2	33.6	45.7	49.2
20	JS-1148I-20	49.4	37.8	49.9	53.4
22	JS-1148I-22	53.6	42.0	54.1	57.6
24	JS-1148I-24	57.8	46.2	58.3	61.8

■ SPECIFICATIONS

- ⚠ Voltage Rating : 250 V AC
- ⚠ Current Rating : 7A Max
- Withstanding Voltage : 1,500V AC/minute
- Insulation Resistance : 1,000MΩ min
- Temperature Range : - 40°C to + 105°C
- Contact Resistance : 20mΩ max

■ PLUG HOUSING

- Part No. : JS-1148I - XX
- Poles : 2~24(BMI Type)
- Material : Nylon 66 UL94V-0 ; Color : White
- Q' ty : 1,000 pcs./Bag



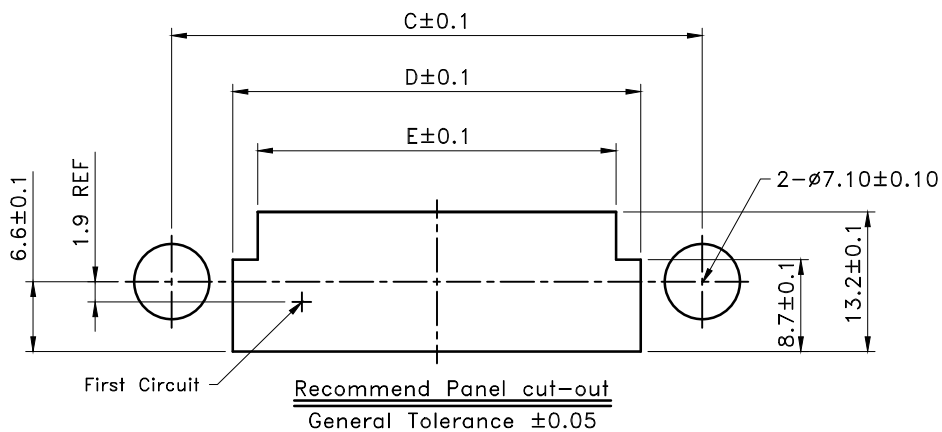
喬訊電子工業股份有限公司
CHYAO SHIUNN
ELECTRONIC INDUSTRIAL LTD.

PART NO JS-1148I-XX

4.20mm D/R Power Connectors Plug Housing(BMI Type)

APPROVED BY	SCALE	UNIT	TOLERANCE	LTR	REVISION RECORD	NAME	DATE	LTR	REVISION RECORD	NAME	DATE
Tom Shih		mm	.0 ±0.30	△	RoHS Compliant	黃科源	2007/01/05	△			
CHECKED BY	PROJ	VER NO.	.00 ±0.20	△	200812-011	黃科源	2008/12/11	△			
Tom Shih		a3	.000 ±0.10	△	依ECR-00000160修改產品敘述	李柏昇	2016/08/02	△			
DRAWN BY	DATE	SIZE	ANGLE	△	Edit Rating to 250V 7A	Erin Chou	2020/09/14				
Erin Chou	2020/09/14	A4	0° ±1°	△							
			.0° ±	△							
			SHEET 1/1	△							

CUSTOMER
Conforms to The RoHS Instruction



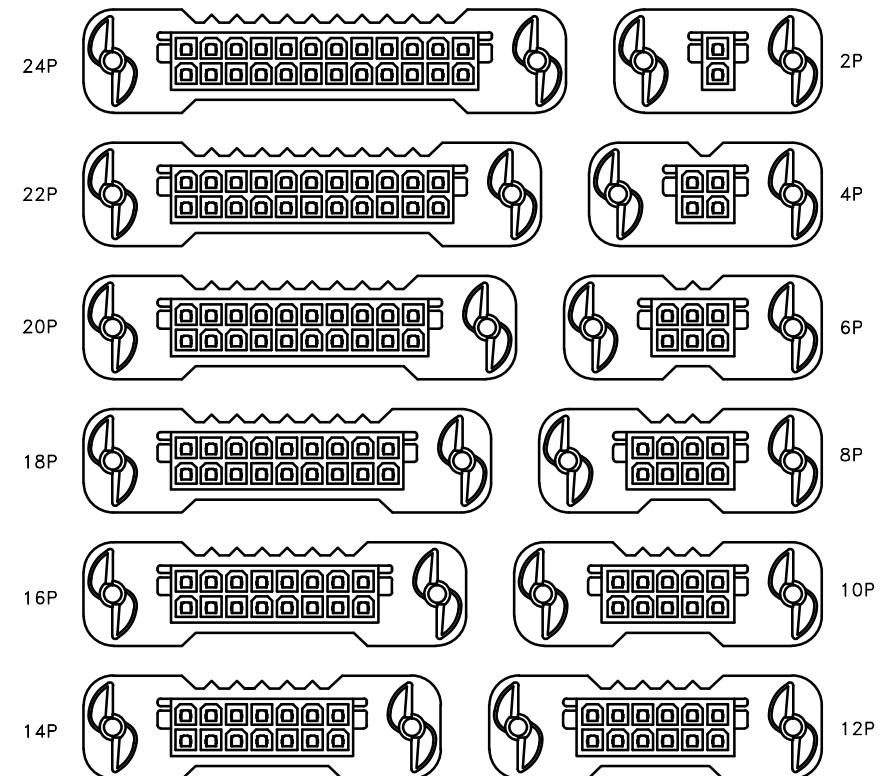
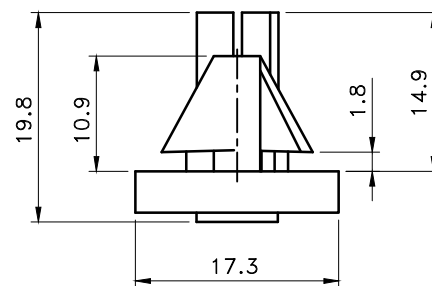
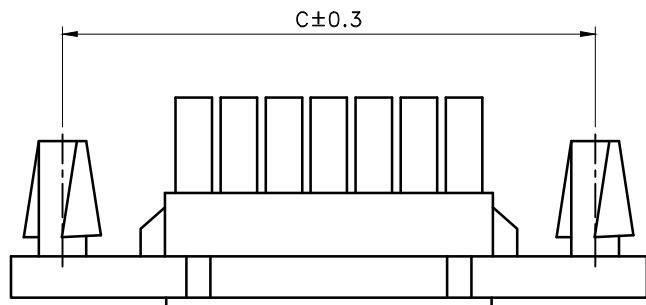
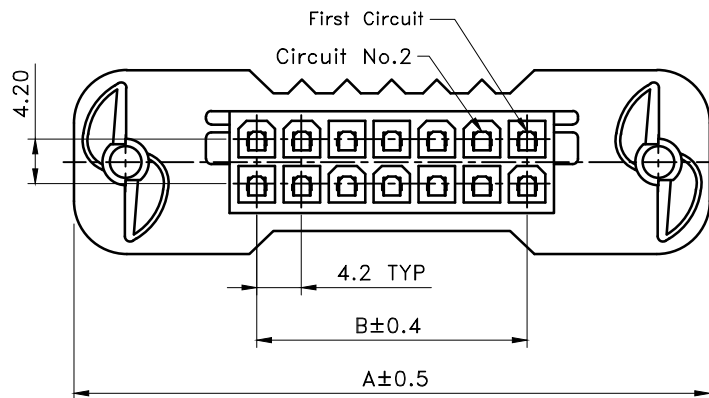
Poles	Part No.	Dimensions(mm)				
		A	B	C	D	E
2	JS-1149IA-02	36.0	—	25.0	13.4	8.7
4	JS-1149IA-04	40.2	4.2	29.2	17.6	12.9
6	JS-1149IA-06	44.4	8.4	33.4	21.8	17.1
8	JS-1149IA-08	48.6	12.6	37.6	26.0	21.3
10	JS-1149IA-10	52.8	16.8	41.8	30.2	25.5
12	JS-1149IA-12	57.0	21.0	46.0	34.4	29.7
14	JS-1149IA-14	61.2	25.2	50.2	38.6	33.9
16	JS-1149IA-16	65.4	29.4	54.4	42.8	38.1
18	JS-1149IA-18	69.6	33.6	58.6	47.0	42.3
20	JS-1149IA-20	73.8	37.8	62.8	51.2	46.5
22	JS-1149IA-22	78.0	42.0	67.0	55.4	50.7
24	JS-1149IA-24	82.2	46.2	71.2	59.6	54.9

■ SPECIFICATIONS


- Voltage Rating : 600 V AC
- Current Rating : 9A Max
- Withstanding Voltage : 1,500V AC/minute
- Insulation Resistance : 1,000MΩ min
- Temperature Range : - 40°C to + 105°C
- Contact Resistance : 20mΩ max

■ RECEPTACLE HOUSING

- Part No. : JS-1149IA - XX
- Poles : 2~24(BMI Type)
- Material : Nylon 66 UL94V-0 ; Color : White
- Q' ty : 1,000 pcs./Bag



 喬訊電子工業股份有限公司
CHYAO SHIUNN
ELECTRONIC INDUSTRIAL LTD.

APPROVED BY	SCALE	UNIT	TOLERANCE	LTR	REVISION RECORD	NAME	DATE	LTR	REVISION RECORD	NAME	DATE
張育瑞		mm	.0 ±0.30	▲	RoHS Compliant	黃科源	2007/01/05	▲			
CHECKED BY	PROJ	VER NO.	.00 ±0.20	▲	200811-023	黃科源	2008/11/26	▲			
簡鴻彬		a4	.000 ±0.10	▲	200812-011	黃科源	2008/12/11	▲			
DRAWN BY	DATE	SIZE	ANGLE	▲	200908-007	黃科源	2009/08/18	▲	CUSTOMER		
李柏昇	2016/08/03	A4	0° ±1°	▲	依ECR-00000160修改產品敘述	李柏昇	2016/08/03	▲			
4.20mm D/R Power Connectors Receptacle Housing(BMI Type)											
									Conforms to The RoHS Instruction		

4.20mm D/R Power Connectors Receptacle Housing(BMI Type)