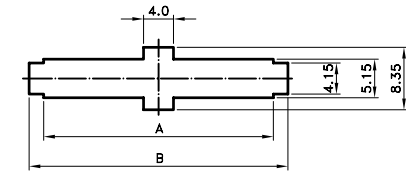


■ SPECIFICATIONS

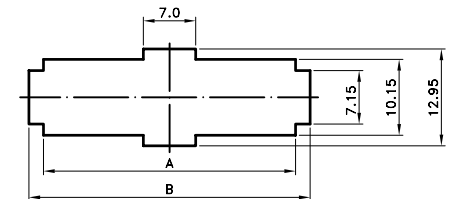
- Current Rating : 3A AC/DC
- Withstanding Voltage : 1500V AC/minute
- Insulation Resistance : 500MΩ min
- Temperature Range : - 25°C to + 85°C

■ PLUG HOUSING

- Part No. : JS-6503-XX
- Poles : 1. 02~12 (Single Row)
2. 16~18 (Double Row)
- Material : Nylon 66 UL94V-0
- Q' ty : 1000 pcs./Bag



2~12 Circuit (Single Row)

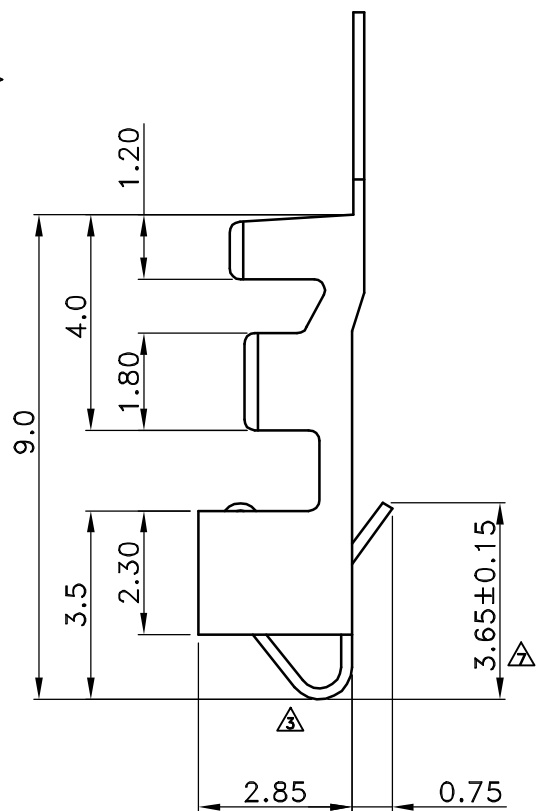
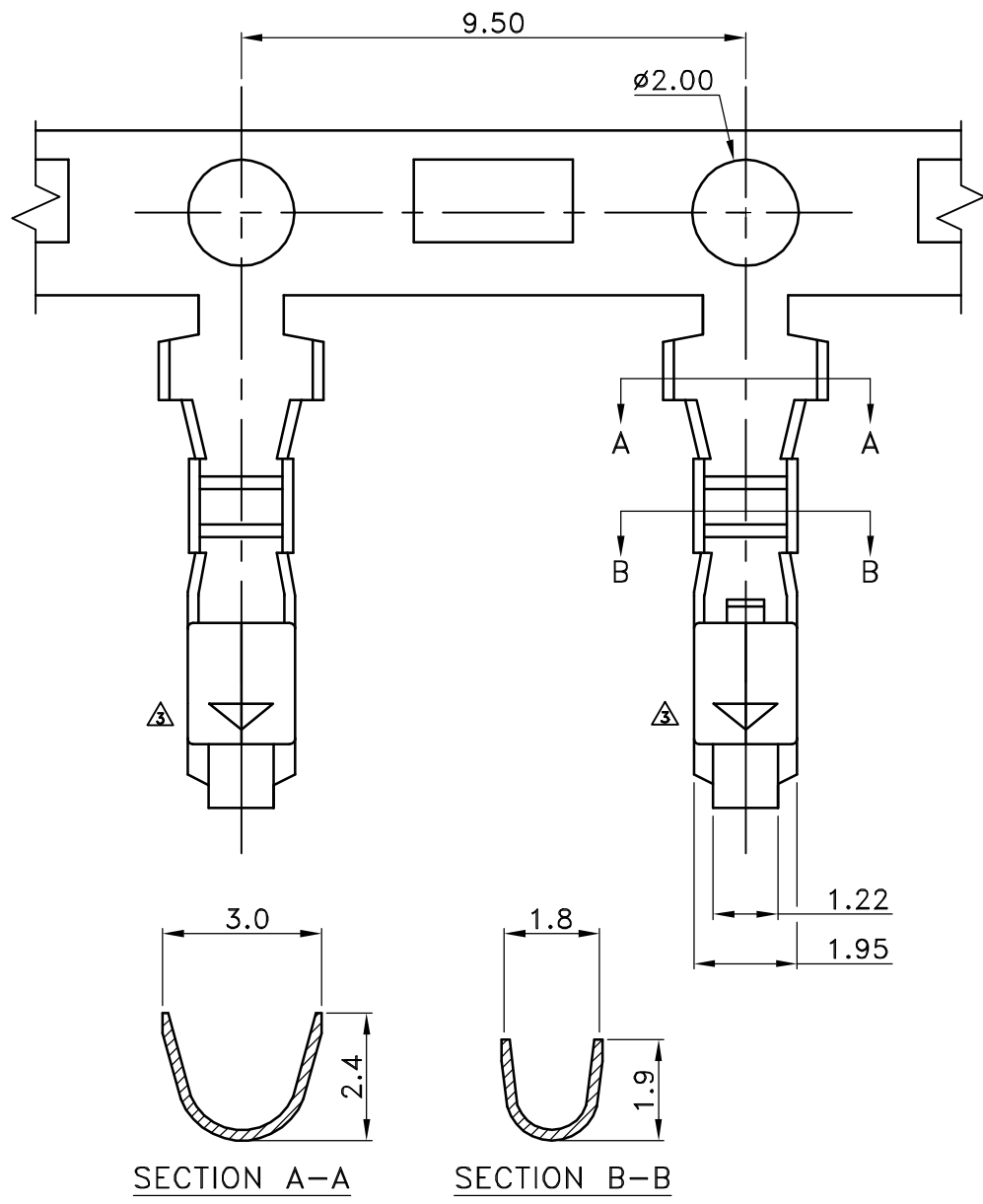


16~18 Circuit (Double Row)

| Circuit | Dim/mm | | Circuit | Dim/mm | |
|---------|--------|------|---------|--------|------|
| | A | B | | A | B |
| 2 | 5.7 | 9.6 | 9 | 23.2 | 27.1 |
| 3 | 8.2 | 12.1 | 10 | 25.7 | 29.6 |
| 4 | 10.7 | 14.6 | 11 | 28.2 | 32.1 |
| 5 | 13.2 | 17.1 | 12 | 30.7 | 34.6 |
| 6 | 15.7 | 19.6 | 16 | 20.7 | 24.6 |
| 7 | 18.2 | 22.1 | 18 | 23.2 | 27.2 |
| 8 | 20.7 | 24.6 | | | |

CHYAO SHIUNN ELECTRONIC INDUSTRIAL LTD.
 喬訊電子工業股份有限公司
PART NO JS-6503-XX
 2.50mm Wire to Wire Connector

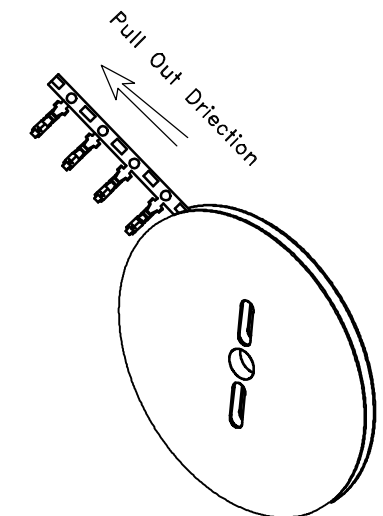
| APPROVED BY | SCALE | UNIT | TOLERANCE | LTR | REVISION RECORD | DATE | LTR | REVISION RECORD | DATE |
|-------------|------------|---------|-----------|------|-----------------|------------|----------|----------------------------------|------|
| 張育瑞 | | mm | .0 | ±0.3 | ECR | 200504-002 | 05/04/18 | | |
| CHECKED BY | PROJ | VER NO. | .00 | ±0.2 | ECR | 200804-031 | 08/04/30 | | |
| 黃科源 | | α4 | .000 | ±0.1 | ECR | 201005-005 | 10/05/12 | | |
| DRAWN BY | DATE | SIZE | ANGLE | | | | | CUSTOMER | |
| 王誠賢 | 2010/05/11 | A4 | 0° | ± | | | | Conforms to The RoHS Instruction | |
| | | | .0° | ± | | | | | |


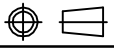


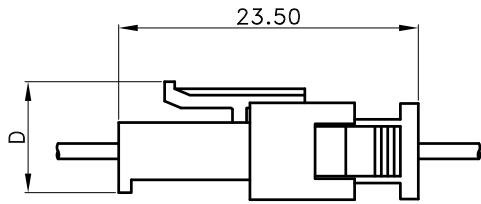
- SPECIFICATIONS
- △ Voltage Rating : 250V AC/DC
 - Current Rating : 3A AC/DC
 - Withstanding Voltage : 1,500V AC/minute
 - Insulation Resistance : 500MΩ min
 - Temperature Range : -25°C to +85°C
 - Contact Resistance : 10 milliohms Max.

■ TERMINAL
 · Part No. : JS-6503-TXX
 ①

- ① Material:
- Blank : Phos. Bronze △
 - B : Brass
 - △ BP : Brass ,Stamping before Plated
 - Applicable Wires : AWG# 22 - 28
 - Finish : Tin Plated
 - Thickness : 0.2mm
 - Q' ty : 7,000 pcs./Reel



| | | | | | | | | | | | | | |
|---|---|-------|---------|-----------|-------|-----|-----------------|-------|------------|--|-----------------|------|------|
|  喬訊電子工業股份有限公司 CHYAO SHIUNN ELECTRONIC INDUSTRIAL LTD. | APPROVED BY | SCALE | UNIT | TOLERANCE | | LTR | REVISION RECORD | NAME | DATE | LTR | REVISION RECORD | NAME | DATE |
| | Tom Shih | | mm | .0 | ±0.30 | △ | 產品材質變更 | 林文彬 | 2006/12/30 | △ | | | |
| PART NO JS-6503-TXX 2.50mm Wire to Wire Connector | CHECKED BY | PROJ | VER NO. | .00 | ±0.20 | △ | 合併圖面&修改料號敘述 | 王誠賢 | 2011/07/25 | △ | | | |
| | Erin Chou | | a7 | .000 | ±0.10 | △ | 修正產品外觀 | 吳弘文 | 2013/09/01 | △ | | | |
| DRAWN BY Eddie DATE 2023/01/10 SIZE A4 |  | ANGLE | | 0° | ±1° | △ | 修正產品外觀 | 吳弘文 | 2014/10/24 | CUSTOMER Conforms to The RoHS Instruction | | | |
| | | | | 0° | ± | △ | 物性表更新 | 吳弘文 | 2015/10/23 | | | | |
| | | | | .0° | ± | △ | 新增電鍍選項 | Eddie | 2022/03/29 | | | | |
| | | | | SHEET | 1/1 | △ | 修正尺寸標註 | Eddie | 2023/01/10 | | | | |



| Poles | D |
|-------|------|
| 02~12 | 8.7 |
| 16,18 | 14.5 |

Assembled Dimension

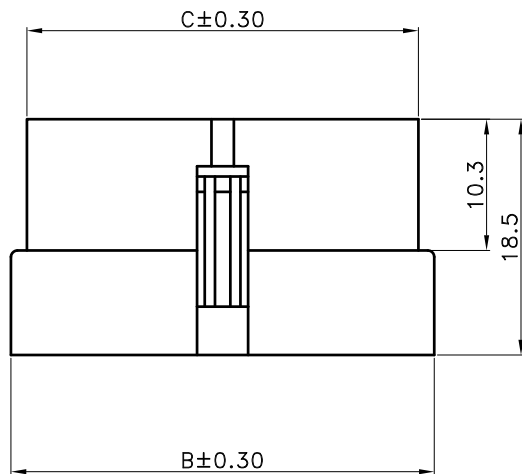
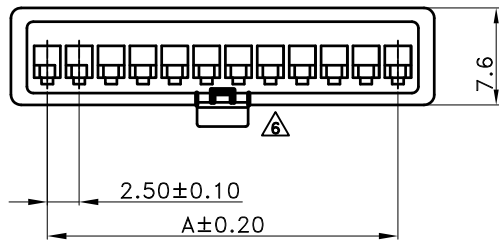
SPECIFICATIONS

- Current Rating : 3A AC/DC
- Withstanding Voltage : 1,500V AC/minute
- Insulation Resistance : 500MΩ min.
- Temperature Range : -25°C to +85°C
- Contact Resistance : 10mΩ max.

RECEPTACLE

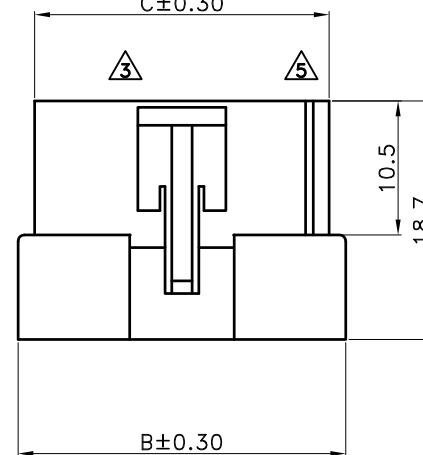
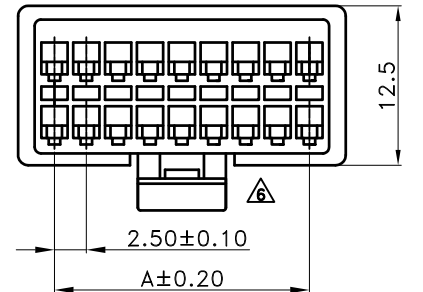
- Part No. : JS-6504-XX X
- ① Poles : ① ②
 1. Single-Row : 02~12
 2. Dual-Row : 16,18
- ② Base Color : Blank : Black
W : White
- Material : Nylon 66 UL94V-0
- Q'ty/Packing :
 1. 1,000 Pcs / 1 Bag(02~03 Circuit)
 2. 500 Pcs / 1 Bag(04~12,16,18 Circuit)

Single-Row



| Poles | Dimensions | | |
|-------|------------|------|------|
| | A | B | C |
| 02 | — | 8.1 | 5.5 |
| 03 | 5.00 | 10.7 | 8.0 |
| 04 | 7.50 | 13.2 | 10.6 |
| 05 | 10.00 | 15.7 | 13.1 |
| 06 | 12.50 | 18.2 | 15.6 |
| 07 | 15.00 | 20.7 | 18.1 |
| 08 | 17.50 | 23.2 | 20.7 |
| 09 | 20.00 | 25.7 | 23.1 |
| 10 | 22.50 | 28.4 | 25.6 |
| 11 | 25.00 | 30.7 | 28.1 |
| 12 | 27.50 | 33.2 | 30.7 |

Dual-Row



| Poles | Dimensions | | |
|-------|------------|------|------|
| | A | B | C |
| 16 | 17.50 | 23.2 | 20.6 |
| 18 | 20.00 | 25.7 | 23.1 |



喬訊電子工業股份有限公司
CHYAO SHIUNN
ELECTRONIC INDUSTRIAL LTD.

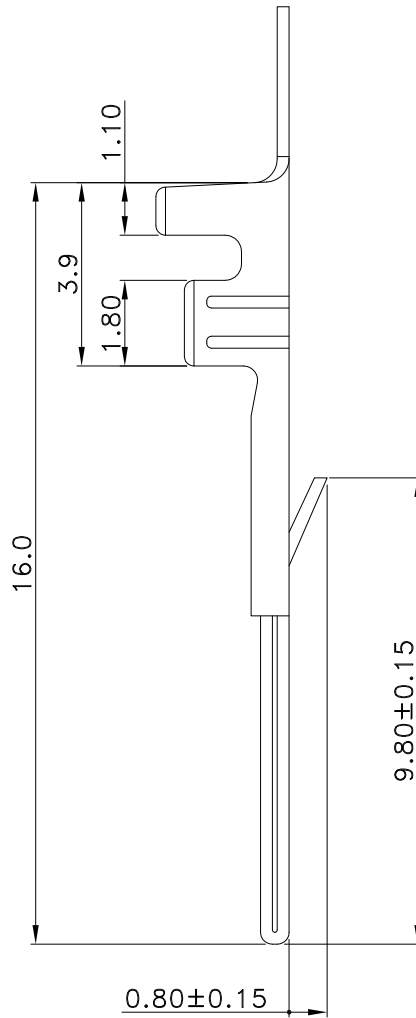
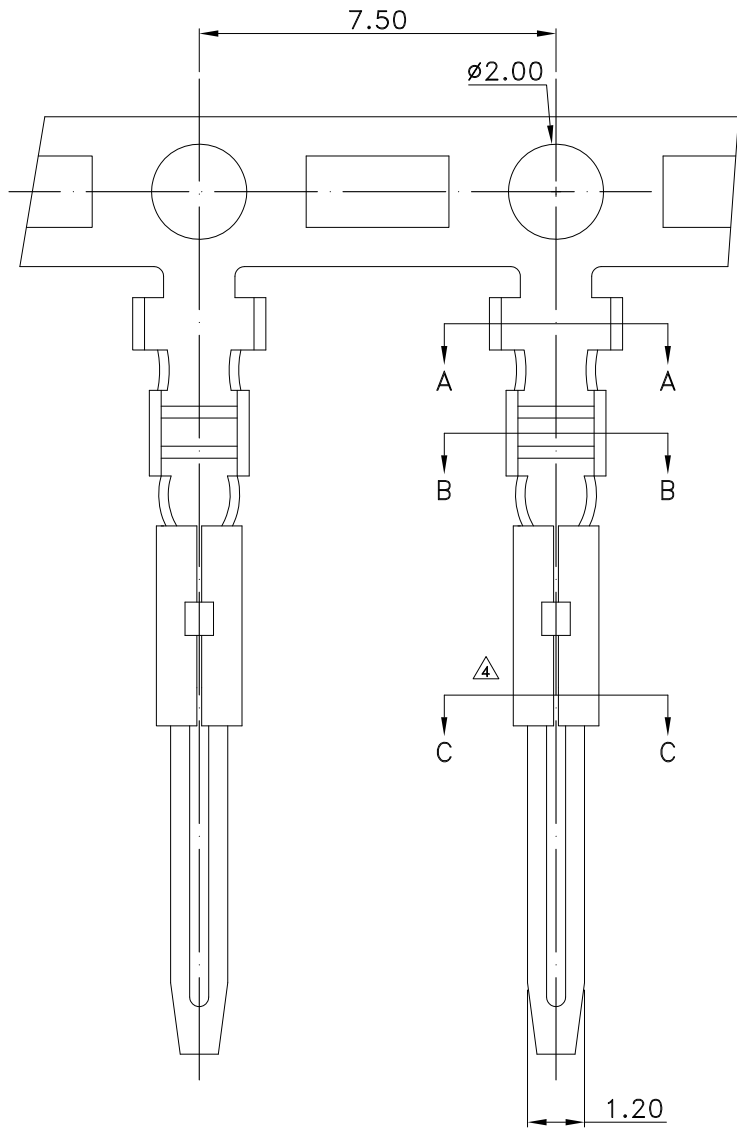
PART NO JS-6504-XX

2.50mm Wire to Wire Connector

| APPROVED BY | SCALE | UNIT | TOLERANCE | LTR | REVISION RECORD | NAME | DATE | LTR | REVISION RECORD | NAME | DATE |
|-------------|------------|---------|------------|-----|-----------------|--------|------------|------------|-----------------|------|------|
| 張育瑞 | | mm | .0 ±0.30 | | 圖面遺失 | 余秀麗 | 2005/05/15 | | | | |
| CHECKED BY | PROJ | VER NO. | .00 ±0.20 | | 圖面合併 | 黃科源 | 2008/04/30 | | | | |
| 周慈雲 | | a7 | .000 ±0.10 | | 圖面與實物不符 | 王誠賢 | 2010/05/12 | | | | |
| DRAWN BY | DATE | SIZE | ANGLE | | | | | | | | |
| 吳弘文 | 2015/01/28 | A4 | 0° | ±1° | | 修改產品尺寸 | 王誠賢 | 2011/08/19 | | | |
| | | | 0° | ± | | 修正產品外觀 | 王誠賢 | 2011/12/02 | | | |
| | | | SHEET | 1/1 | | 增加顏色選項 | 吳弘文 | 2015/01/28 | | | |

CUSTOMER

Conforms to The RoHS Instruction



■ SPECIFICATIONS

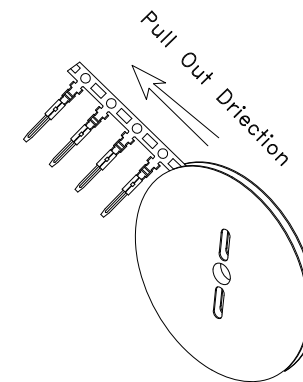
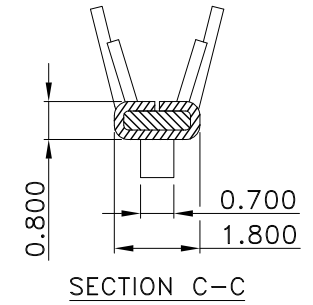
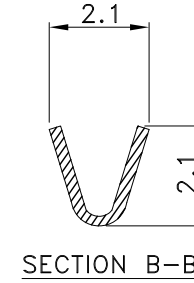
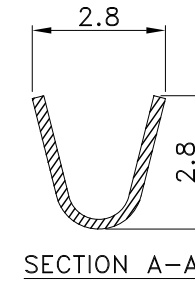
- Current Rating : 3A AC/DC
- Withstanding Voltage : 1,500V AC/minute
- Insulation Resistance : 500MΩ min
- Temperature Range : -25°C to +85°C
- Contact Resistance : 10 milliohms Max.

■ TERMINAL

- Part No. : JS-6504-TX^①

① Material: Blank : Phos. Bronze
B : Brass

- Applicable Wires : AWG# 22 - 28
- Finish : Tin Plated
- Thickness : 0.2mm
- Q' ty : 7,000 pcs./Reel



喬訊電子工業股份有限公司
CHYAO SHIUNN
ELECTRONIC INDUSTRIAL LTD.

| APPROVED BY | SCALE | UNIT | TOLERANCE | LTR | REVISION RECORD | NAME | DATE | LTR | REVISION RECORD | NAME | DATE |
|-------------|------------|---------|------------|-----|-----------------|------|------------|-----|----------------------------------|------|------|
| Tom Shih | | mm | .0 ±0.30 | ① | 產品材質變更 | 林文彬 | 2006/12/30 | ⑧ | | | |
| CHECKED BY | PROJ | VER NO. | .00 ±0.20 | ② | 合併圖面&修改料號敘述 | 王誠賢 | 2011/07/25 | ⑨ | | | |
| Tom Shih | | a4 | .000 ±0.10 | ③ | 增加端子捲繞方向圖 | 吳弘文 | 2014/10/24 | ⑩ | | | |
| DRAWN BY | DATE | SIZE | ANGLE | ④ | Cancel the gap | Erin | 2016/11/08 | | CUSTOMER | | |
| Erin | 2016/11/08 | A4 | 0° ±1° | ⑤ | | | | | Conforms to The RoHS Instruction | | |
| | | | .0° ± | ⑥ | | | | | | | |
| | | | SHEET 1/1 | ⑦ | | | | | | | |

PART NO JS-6504-TX

2.50mm Wire to Wire Connector