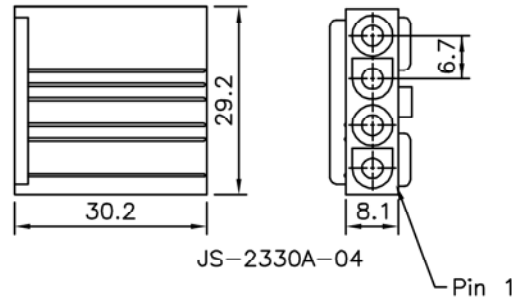
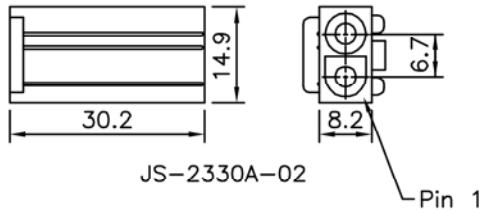


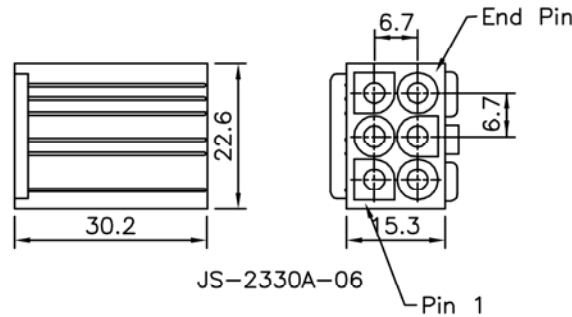
△ JS-2330A-01



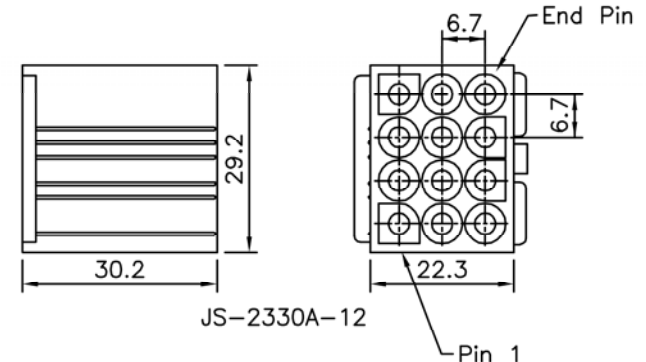
JS-2330A-04



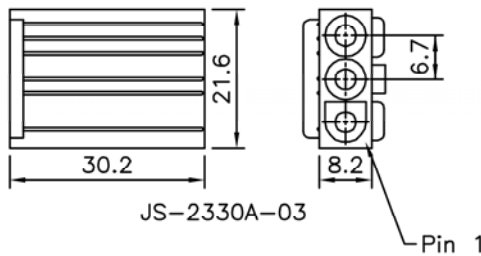
JS-2330A-02



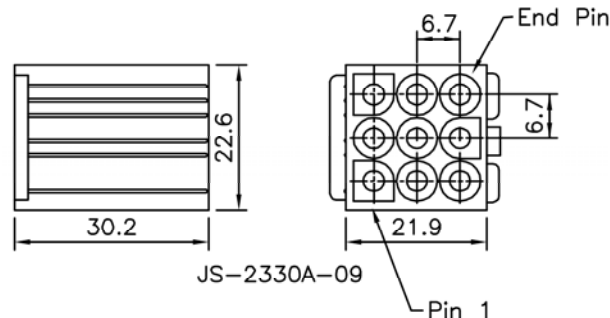
JS-2330A-06



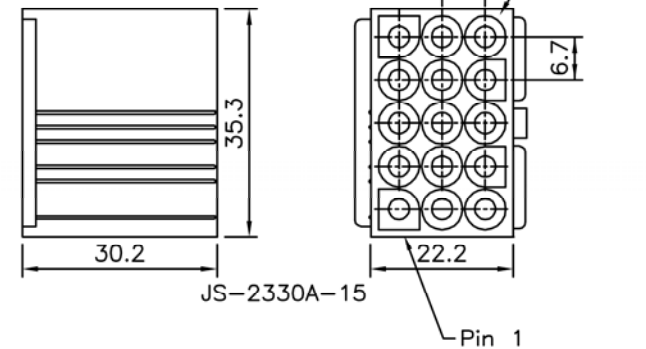
JS-2330A-12



JS-2330A-03



JS-2330A-09



JS-2330A-15

■ SPECIFICATIONS

- Voltage Rating : 600V AC/DC
- Current Rating : 9A~15A AC/DC
- Withstanding Voltage : 1,500V AC/minute
- Insulation Resistance : 1,000MΩ min
- Temperature Range : - 25℃ to + 90℃
- Contact Resistance : 20mΩ max

■ HOUSING

- Part No. : JS-2330A-XX
- JS-2330A-XX : GP Produces
- Poles : 1, 2, 3, 4, 6, 9, 12, 15
- Material : Nylon 66 UL94V-2
- Q' ty : 1,000 pcs./Bag

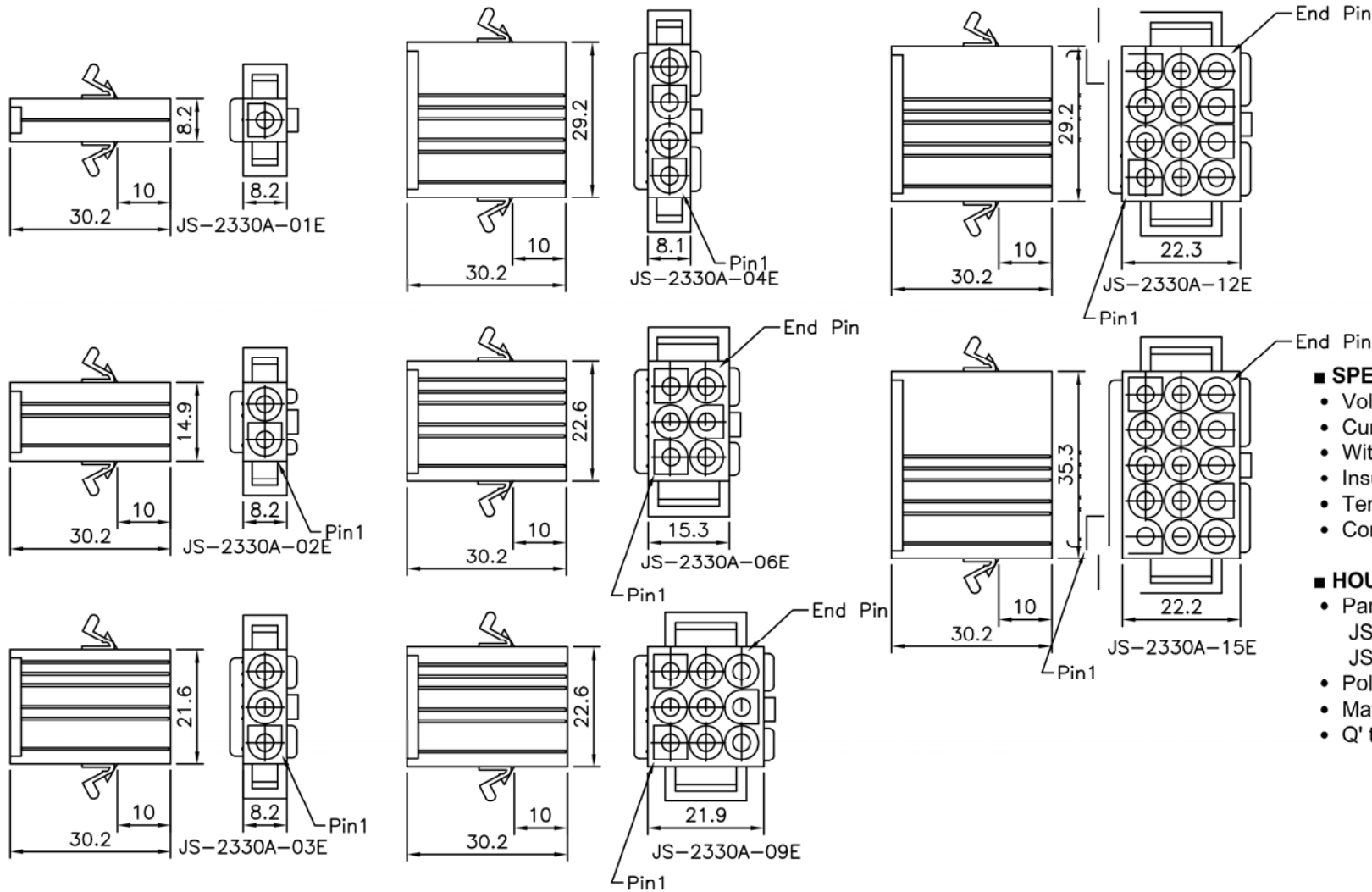


喬訊電子工業股份有限公司
CHYAO SHIUNN
ELECTRONIC INDUSTRIAL LTD.

APPROVED BY	SCALE	UNIT	TOLERANCE	LTR	REVISION RECORD	NAME	DATE	LTR	REVISION RECORD	NAME	DATE
Tom Shih	1:1	mm	.0 ±0.30	△	修改圖面外觀及尺寸	Eddie	2018/09/20	△			
CHECKED BY	PROJ	VER NO.	.00 ±0.20	△				△			
Erin Chou	⊕	a3	.000 ±0.10	△				△			
DRAWN BY	DATE	SIZE	ANGLE	△					CUSTOMER		
Eddie	2018/09/20	A4	0° ±1°	△					Conforms to The RoHS Instruction		
			0° ±	△							
			SHEET 1/1	△							

PART NO JS-2330A-XX

∅2.36mm Power Connectors Terminal



■ SPECIFICATIONS

- Voltage Rating : 600V AC/DC
- Current Rating : 17A AC/DC
- Withstanding Voltage : 5,000V AC/minute
- Insulation Resistance : 1,000MΩ min
- Temperature Range : - 55°C to + 105°C
- Contact Resistance : 20mΩ max

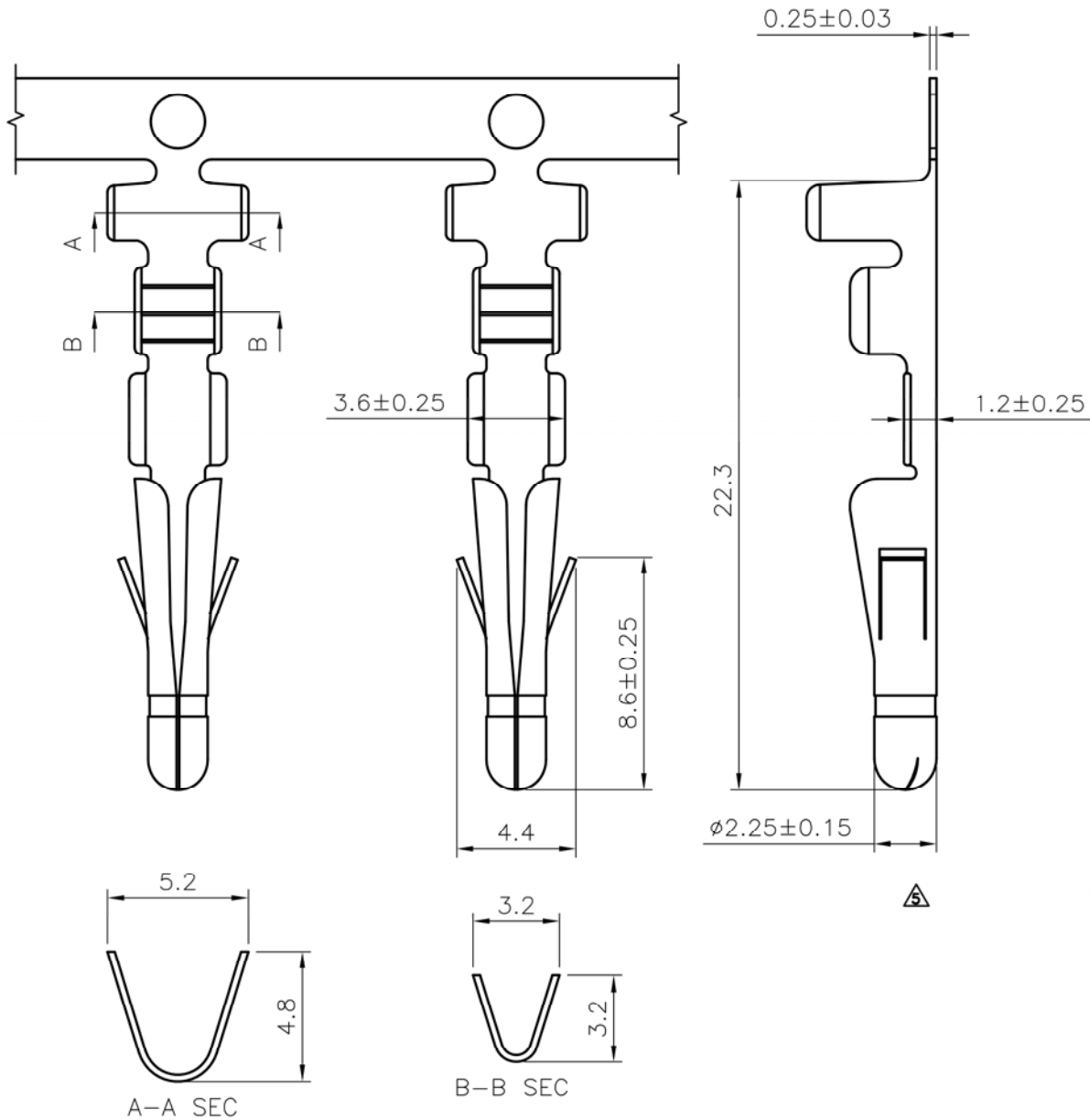
■ HOUSING

- Part No. : JS-2330A-XXXE
 JS-2330A-XXE : GP Produces
 JS-2330A-0XXE: Non GP Produces
- Poles : 1,2,3,4,6,9,12,15
- Material : Nylon 66 UL94V-2
- Q' ty : 1,000pcs./Bag


 喬訊電子工業股份有限公司
 CHYAO SHIUNN
 ELECTRONIC INDUSTRIAL LTD.

PART NO JS-2330A-XXE
 ø2.36mm Power Connectors Housing

APPROVED BY	SCALE	UNIT	TOLERANCE		LTR	REVISION RECORD	DATE
林陳樂	1:1	mm	.0	±0.3			
CHECKED BY	PROJ	VER NO.	.00	±0.2			
林勇生		α1	.000	±0.1			
DRAWN BY	DATE	SIZE	ALL	±			
余秀麗	2005/05/15	A4	ANGLE				
			0°	±			
			.0°	±			

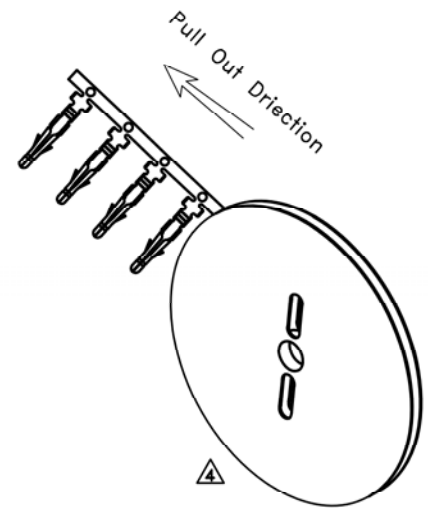


▲ SPECIFICATIONS

- Voltage Rating : Pitch : 6.7mm 600V AC/DC
Pitch : 5.03mm 250V AC/DC
- Current Rating : Pitch : 6.7mm 17A AC/DC
Pitch : 5.03mm 12A AC/DC
- Withstanding Voltage : 2,000V AC/minute
- Insulation Resistance : 1,000M Ω min.
- Temperature Range : -40°C~+105°C
- Contact Resistance : 20m Ω max.

■ TERMINAL

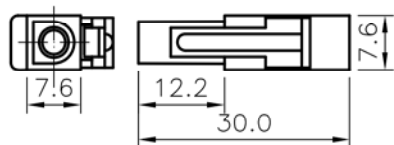
- Part No. : JS-2330BS-2H
- Applicable Wires : AWG# 14 - 18
- Material : Brass
- Finish : Tin Plated
- Thickness : 0.25mm
- Q'ty : 3,500 pcs/Reel



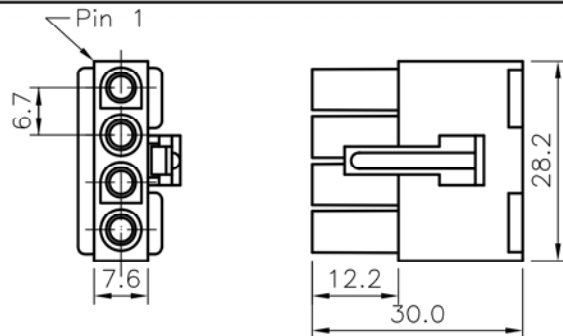
喬訊電子工業股份有限公司
CHYAO SHIUNN
ELECTRONIC INDUSTRIAL LTD.

PART NO JS-2330BS-2H
 $\phi 2.36$ mm Power Connectors Terminal

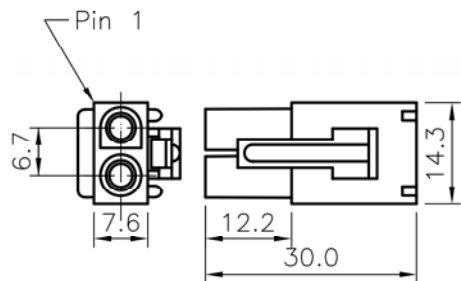
APPROVED BY	SCALE	UNIT	TOLERANCE	LTR	REVISION RECORD	NAME	DATE	LTR	REVISION RECORD	NAME	DATE
張育瑞		mm	.0 ±0.30	▲	200407-020	邱森鴻	2004/07/22	▲			
CHECKED BY	PROJ	VER NO.	.00 ±0.20	▲	200706-019	黃科源	2007/06/27	▲			
周慈雲		a5	.000 ±0.10	▲	依規格書修改SPEC.	張逸維	2013/06/10	▲			
DRAWN BY	DATE	SIZE	ANGLE		▲	增加端子捲繞方向圖	吳弘文	2014/10/23	CUSTOMER		
吳弘文	2014/10/29	A4	0° ±1°	▲	修正側視圖	吳弘文	2014/10/29				
			0° ±	▲					Conforms to The RoHS Instruction		
			SHEET	1/1	▲						



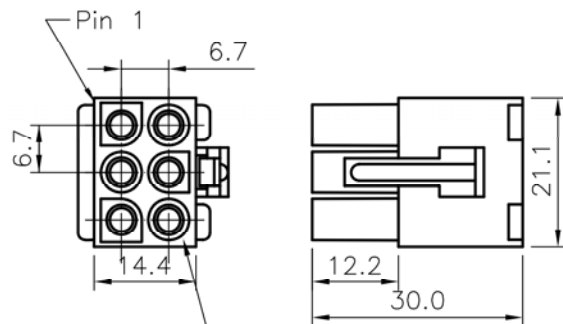
JS-2430A-01



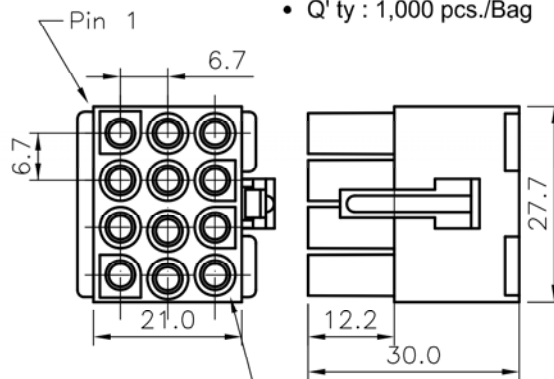
JS-2430A-04



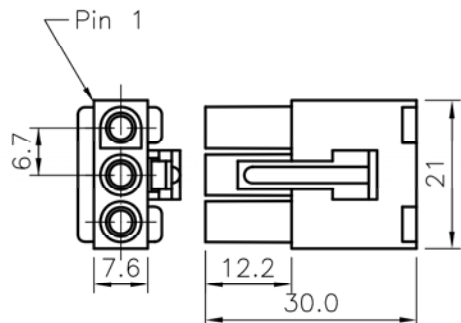
JS-2430A-02



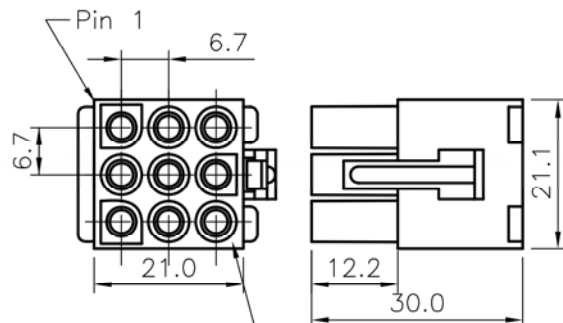
JS-2430A-06



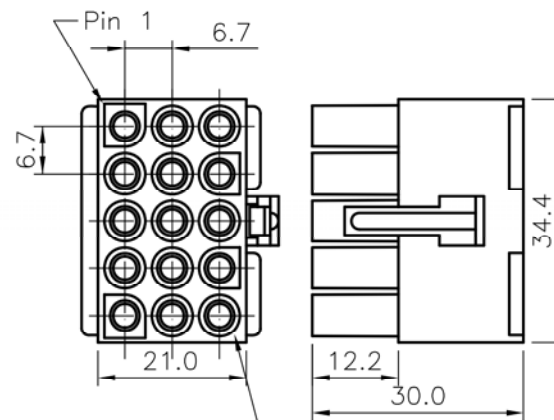
JS-2430A-12



JS-2430A-03



JS-2430A-09



JS-2430A-15

■ SPECIFICATIONS

- Voltage Rating : 600V AC/DC
- Current Rating : 17A AC/DC
- Withstanding Voltage : 5,000V AC/minute
- Insulation Resistance : 1,000M Ω min
- Temperature Range : - 55°C to + 105°C
- Contact Resistance : 20m Ω max

■ HOUSING

- Part No. : JS-2430A-XXX
- Poles : 1, 2, 3, 4, 6, 9, 12, 15
- Material : Nylon 66 UL94V-2
- Q'ty : 1,000 pcs./Bag

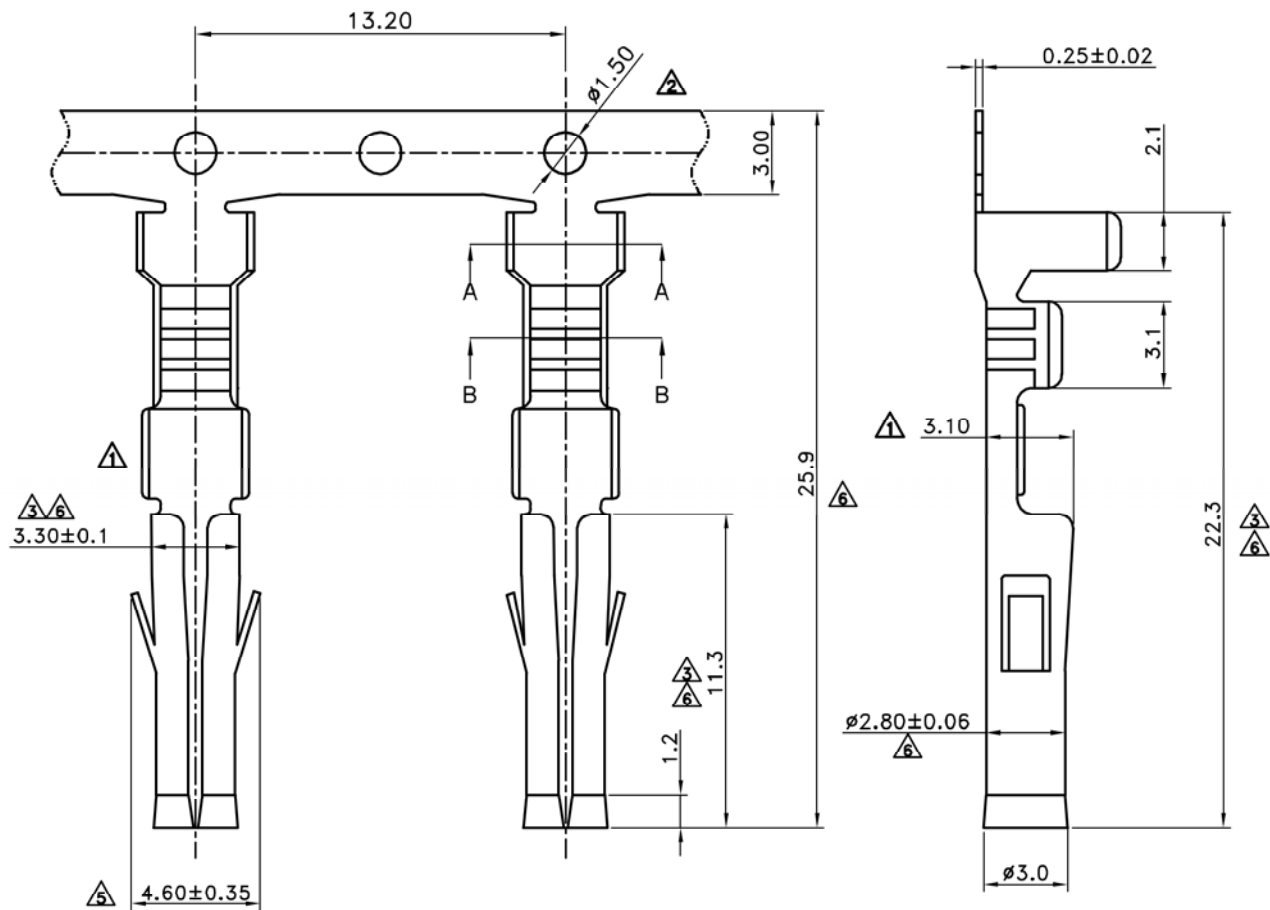


喬訊電子工業股份有限公司
CHYAO SHIUNN
ELECTRONIC INDUSTRIAL LTD.

APPROVED BY	SCALE	UNIT	TOLERANCE	LTR	REVISION RECORD	NAME	DATE	LTR	REVISION RECORD	NAME	DATE
張育瑞		mm	.0 ±0.30	△	XXX	XXX	XXXX/XX/XX	△			
CHECKED BY	PROJ	VER NO.	.00 ±0.20	△	200510-003	陳文松	2005/10/13	△			
黃科源	⊕	a3	.000 ±0.10	△	刪除GP料號，圖框改用新格式	張逸維	2013/03/06	△			
DRAWN BY	DATE	SIZE	ANGLE						CUSTOMER		
張逸維	2013/03/06	A4	0° ±1°	△					Conforms to The RoHS Instruction		
			0° ±	△							
			SHEET	1/1	△						

PART NO JS-2430A-XX

∅2.36mm Power Connectors Housing

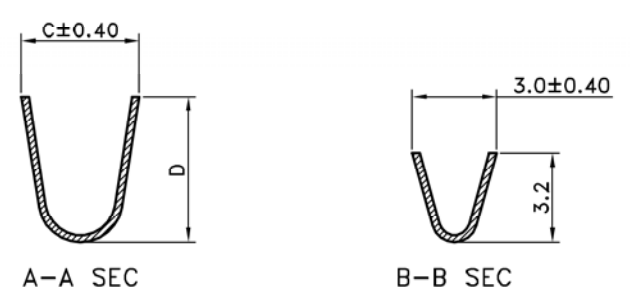
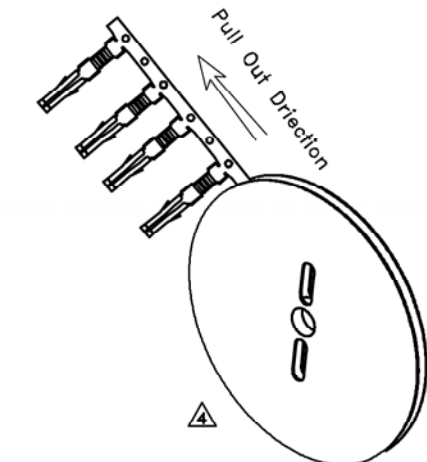


△ ■ SPECIFICATIONS

- Voltage Rating : Pitch : 6.7mm 600V AC/DC
Pitch : 5.03mm 250V AC/DC
- Current Rating : Pitch : 6.7mm 17A AC/DC
Pitch : 5.03mm 12A AC/DC
- Withstanding Voltage : 2,000V AC/minute
- Insulation Resistance : 1,000MΩ min.
- Temperature Range : -40°C~+105°C
- Contact Resistance : 20mΩ max.

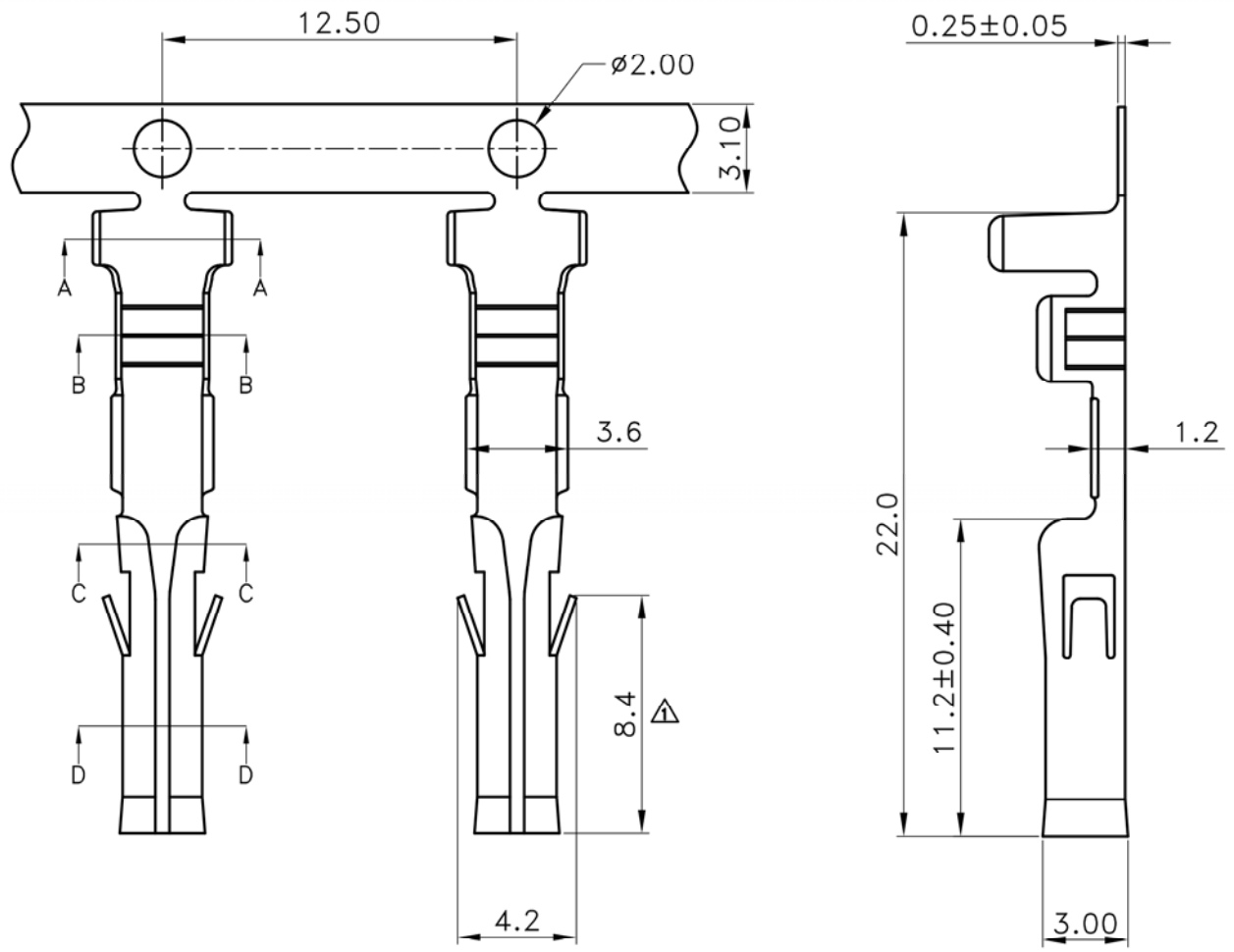
■ TERMINAL

- Part No. : JS-2430BS-2 X
Product Code: ①
- ① Crimp Type:
Blank : Normal Type
L : Low Type
- Applicable Wires :
JS-2430BS-2 : AWG# 14 - 20
JS-2430BS-2L : AWG# 18 - 22
- Material : Brass
- Finish : Tin Plated
- Thickness : 0.25mm
- Q'ty : JS-2430BS-2 : 3,500 pcs/Reel
JS-2430BS-2L : 5,000 pcs/Reel



Product Code	Dimension(mm)	
	C	D
JS-2430BS-2	4.2	5.2
JS-2430BS-2L	3.7	3.6

	喬訊電子工業股份有限公司 CHYAO SHIUNN ELECTRONIC INDUSTRIAL LTD.	APPROVED BY	SCALE	UNIT	TOLERANCE	LTR	REVISION RECORD	NAME	DATE	LTR	REVISION RECORD	NAME	DATE
		TOM		mm	.0 ±0.30	△	修改圖面	陳文松	2005/09/09	△			
	CHECKED BY	PROJ	VER NO.	.00 ±0.20	△	修改及合併圖面	林謙豪	2012/02/17	△				
	ERIN	⊕	α6	.000 ±0.10	△	依規格書修改SPEC. 修改部分尺寸	張逸維	2013/06/11	△				
PART NO JS-2430BS-2X (φ2.36mm)Wire toWire Power Connectors, Terminal	DRAWN BY	DATE	SIZE	ANGLE		增加端子捲繞方向圖	吳弘文	2014/10/23		CUSTOMER			
	JIMMY	2020/11/12	A4	0° ±1°	△	尺寸修正	吳弘文	2015/07/15					
				.0° ±	△	尺寸修正	JIMMY	2020/11/12pl		Conforms to The RoHS Instruction			
				SHEET 1/1	△								

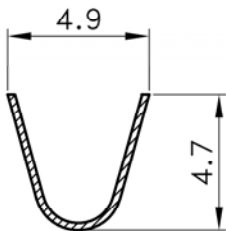
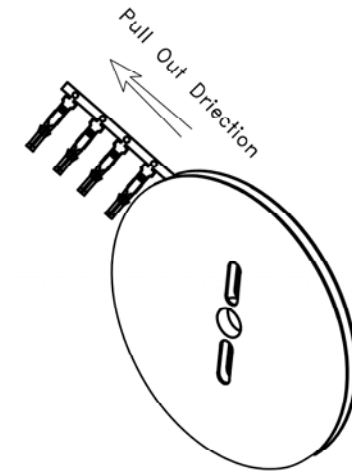


▲ SPECIFICATIONS

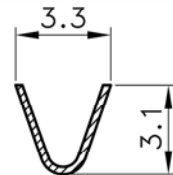
- Voltage Rating : Pitch : 6.7mm 600V AC/DC
Pitch : 5.03mm 250V AC/DC
- Current Rating : Pitch : 6.7mm 17A AC/DC
Pitch : 5.03mm 12A AC/DC
- Withstanding Voltage : 2,000V AC/minute
- Insulation Resistance : 1,000M Ω min.
- Temperature Range : -40°C~+105°C
- Contact Resistance : 20m Ω max.

■ TERMINAL

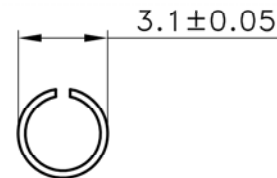
- Part No. : JS-2430BS-2H
- Applicable Wires : AWG# 14 - 18
- Material : Brass
- Finish : Tin Plated
- Thickness : 0.25mm
- Q'ty : 3,500 pcs/Reel



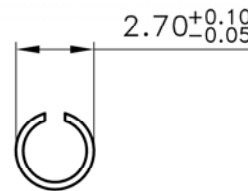
A-A SEC



B-B SEC



C-C SEC



D-D SEC

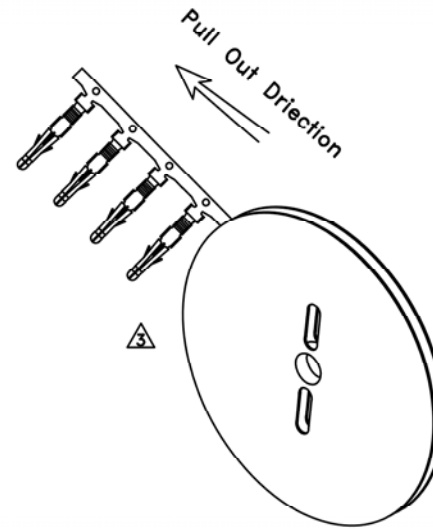
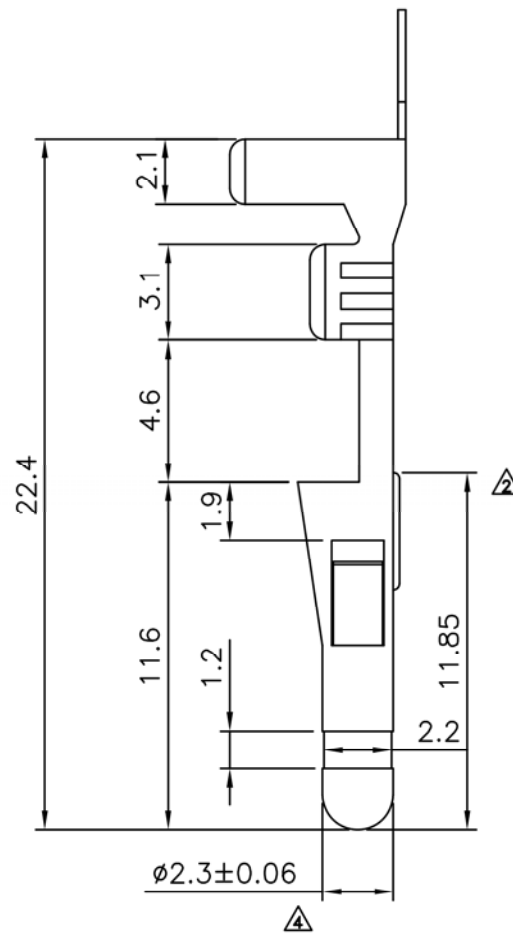
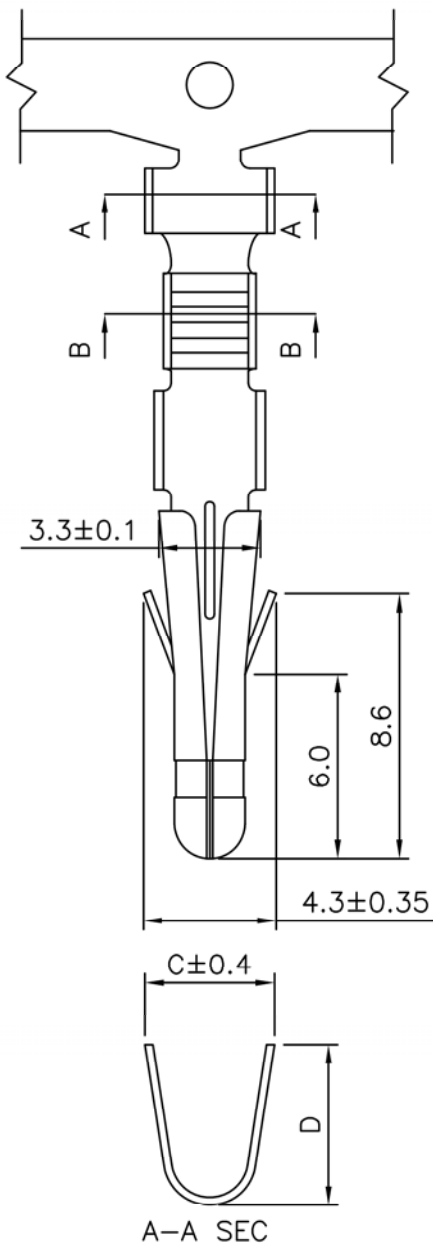


喬訊電子工業股份有限公司
CHYAO SHIUNN
ELECTRONIC INDUSTRIAL LTD.

APPROVED BY	SCALE	UNIT	TOLERANCE	LTR	REVISION RECORD	NAME	DATE	LTR	REVISION RECORD	NAME	DATE
張育瑞		mm	.0 ±0.30	▲	修正標注尺寸	王誠賢	2010/12/14	▲			
CHECKED BY	PROJ	VER NO.	.00 ±0.20	▲	依規格書修改SPEC.	張逸維	2013/06/10	▲			
周慈雲		a3	.000 ±0.10	▲	增加端子繞向圖	吳弘文	2014/10/23	▲			
DRAWN BY	DATE	SIZE	ANGLE						CUSTOMER		
吳弘文	2014/10/23	A4	0° ±1°	▲					Conforms to The RoHS Instruction		
			.0° ±	▲							
			SHEET	1/1	▲						

PART NO JS-2430BS-2H

∅2.36mm Power Connectors Terminal



■ SPECIFICATIONS

- △ Voltage Rating : Pitch : 6.7mm 600V AC/DC
Pitch : 5.03mm 250V AC/DC
- Current Rating : Pitch : 6.7mm 17A AC/DC
Pitch : 5.03mm 12A AC/DC
- Withstanding Voltage : 2,000V AC/minute
- Insulation Resistance : 1,000MΩ min.
- Temperature Range : -40°C~+105°C
- Contact Resistance : 20mΩ max.

■ TERMINAL

- Part No. : JS-2330BS-2 X
Product Code : ①
- ① Crimp Type :
Blank : Normal Type
L : Low Type
- Applicable Wires :
JS-2330BS-2 : AWG# 14 - 20
JS-2330BS-2L : AWG# 18 - 22
- Material : Brass
- Finish : Tin Plated
- Thickness : 0.25mm
- Q'ty : JS-2330BS-2 : 5,000 pcs/Reel
JS-2330BS-2L : 3,500 pcs/Reel

Product Code	Dimension(mm)	
	C	D
JS-2330BS-2	4.2	5.2
JS-2330BS-2L	3.7	3.6



喬訊電子工業股份有限公司
CHYAO SHIUNN
ELECTRONIC INDUSTRIAL LTD.

PART NO JS-2330BS-2X

Ø2.36mm Power Connectors Terminal

APPROVED BY	SCALE	UNIT	TOLERANCE	LTR	REVISION RECORD	NAME	DATE	LTR	REVISION RECORD	NAME	DATE
張育瑞		mm	.0 ±0.30	△	200605-013	陳文松	2006/05/26	△			
CHECKED BY	PROJ	VER NO.	.00 ±0.20	△	依規格書修改SPEC. 合併2330BS-2L	張逸維	2013/06/10	△			
周慈雲	⊕	a4	.000 ±0.10	△	增加端子捲繞方向圖	吳弘文	2014/10/23	△			
DRAWN BY	DATE	SIZE	ANGLE	△	修正側視圖	吳弘文	2014/10/28	△			
吳弘文	2014/10/29	A4	0° ±1°	△							
			.0° ±	△							
			SHEET 1/1	△							

CUSTOMER

Conforms to The RoHS Instruction