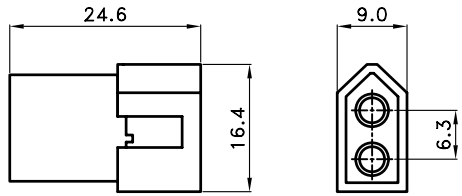
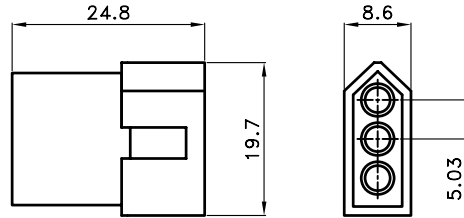


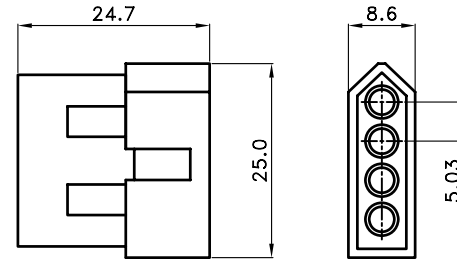
JS-2330-02



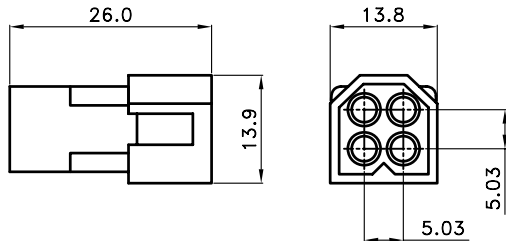
JS-2330-03



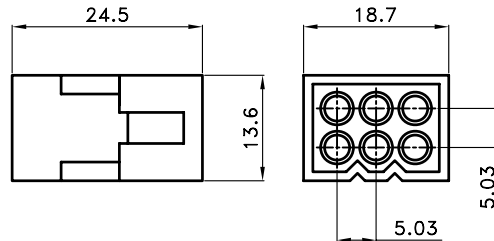
JS-2330-04



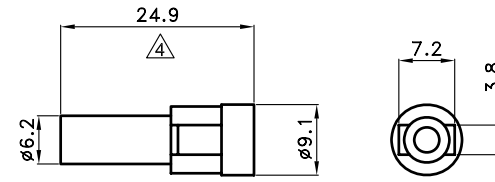
JS-2330-2x2



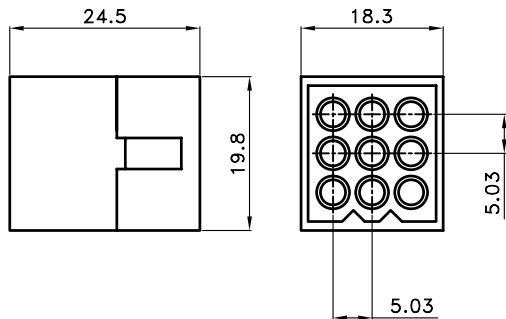
JS-2330-06



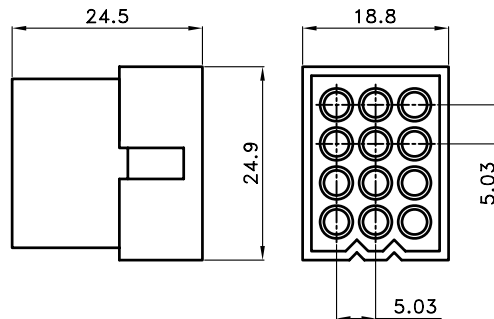
JS-2330-01



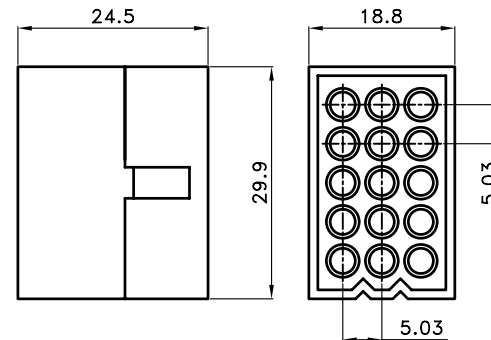
JS-2330-09



JS-2330-12



JS-2330-15



■ SPECIFICATIONS

- Current Rating : 12A AC/DC
- Voltage Rating : 250V AC
- Withstanding Voltage : 2,000V AC/minute
- Insulation Resistance : Low -Signal Level
- Temperature Range : -40°C to +105°C
- Contact Resistance : 20mΩ max

■ RECEPTACLE

- Part No. : JS-2330-XX
- Poles No.
- Poles No. : 1, 2, 3, 4, 2x2, 6, 9, 12, 15
- Material : Nylon 66 UL94V-2
- Package : Bag



喬訊電子工業股份有限公司

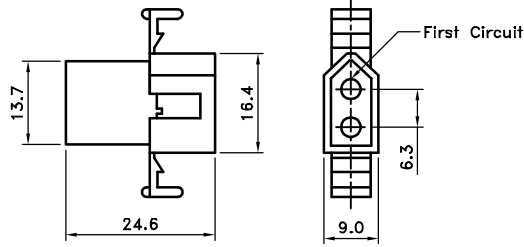
CHYAO SHIUNN
ELECTRONIC INDUSTRIAL LTD.

PART NO JS-2330-XX

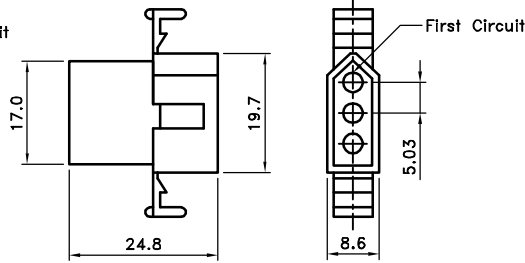
5.03mm wire to wire Power Connector, Without Ear

APPROVED BY	SCALE	UNIT	TOLERANCE	LTR	REVISION RECORD	NAME	DATE	LTR	REVISION RECORD	NAME	DATE
張育瑞		mm	.0 ±0.35		ECR 200507-004	曲智浩	05/07/08				
CHECKED BY	PROJ	VER NO.	.00 ±0.20		ECR 200811-024	黃科源	08/11/27				
黃科源		a6	.000 ±0.10		遺失						
DRAWN BY	DATE	SIZE	ANGLE		ECR 201004-001	黃科源	10/04/12		CUSTOMER		
張逸維	2013/05/21	A4	0° ±1°		ECR 201103-013	王誠賢	11/03/29				
			.0° ±		依規格書修改Spec.	張逸維	13/05/21		Conforms to The RoHS Instruction		
			SHEET	1/1							

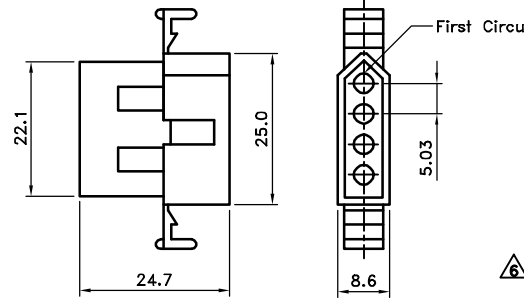
JS-2330B-02E



JS-2330B-03E



△ JS-2330B-04E



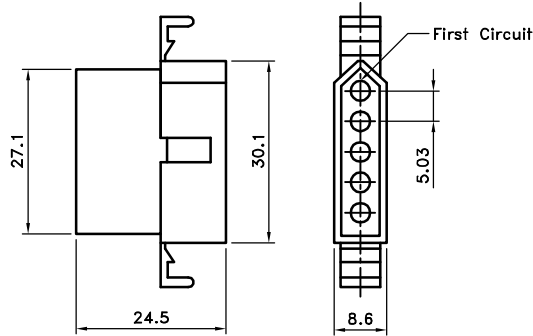
▲ SPECIFICATIONS

- Current Rating : 12A AC/DC
- Voltage Rating : 250V AC
- Withstanding Voltage : 2000V AC/minute
- Insulation Resistance : Low - Signal Level
- Temperature Range : - 40°C to + 105°C
- Contact Resistance : 20m Ω max

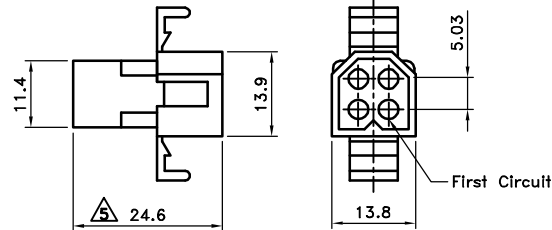
■ PLUG HOUSING

- Part No. : JS-2330B-XXE
- △ Poles : 2, 3, 4, 5, 6, 9, 12, 15(With Ear)
- Material : Nylon 66 UL94V-2
- Q' ty : 1000 pcs./Bag

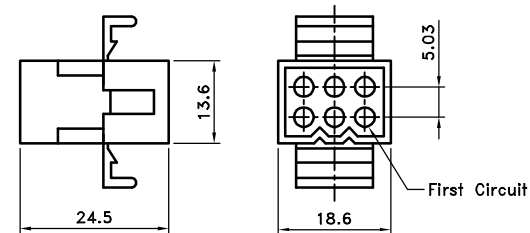
△ JS-2330B-05E



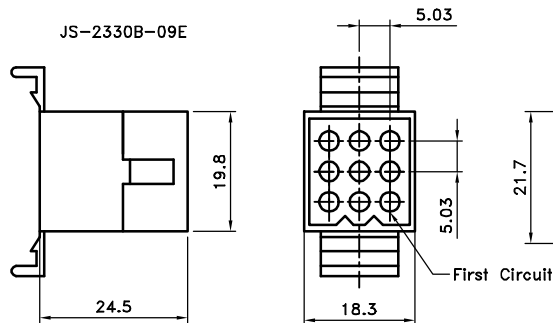
JS-2330B-2x2E



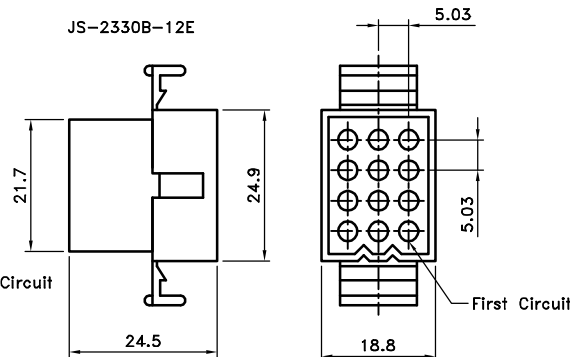
JS-2330B-06E



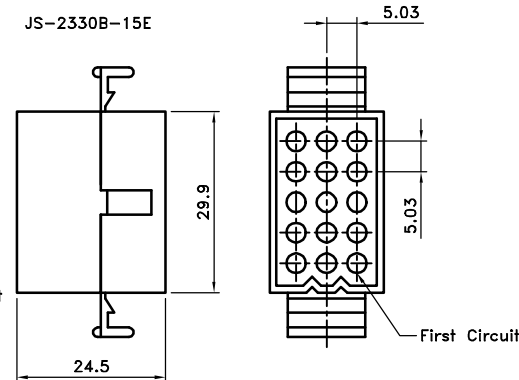
JS-2330B-09E



JS-2330B-12E



JS-2330B-15E

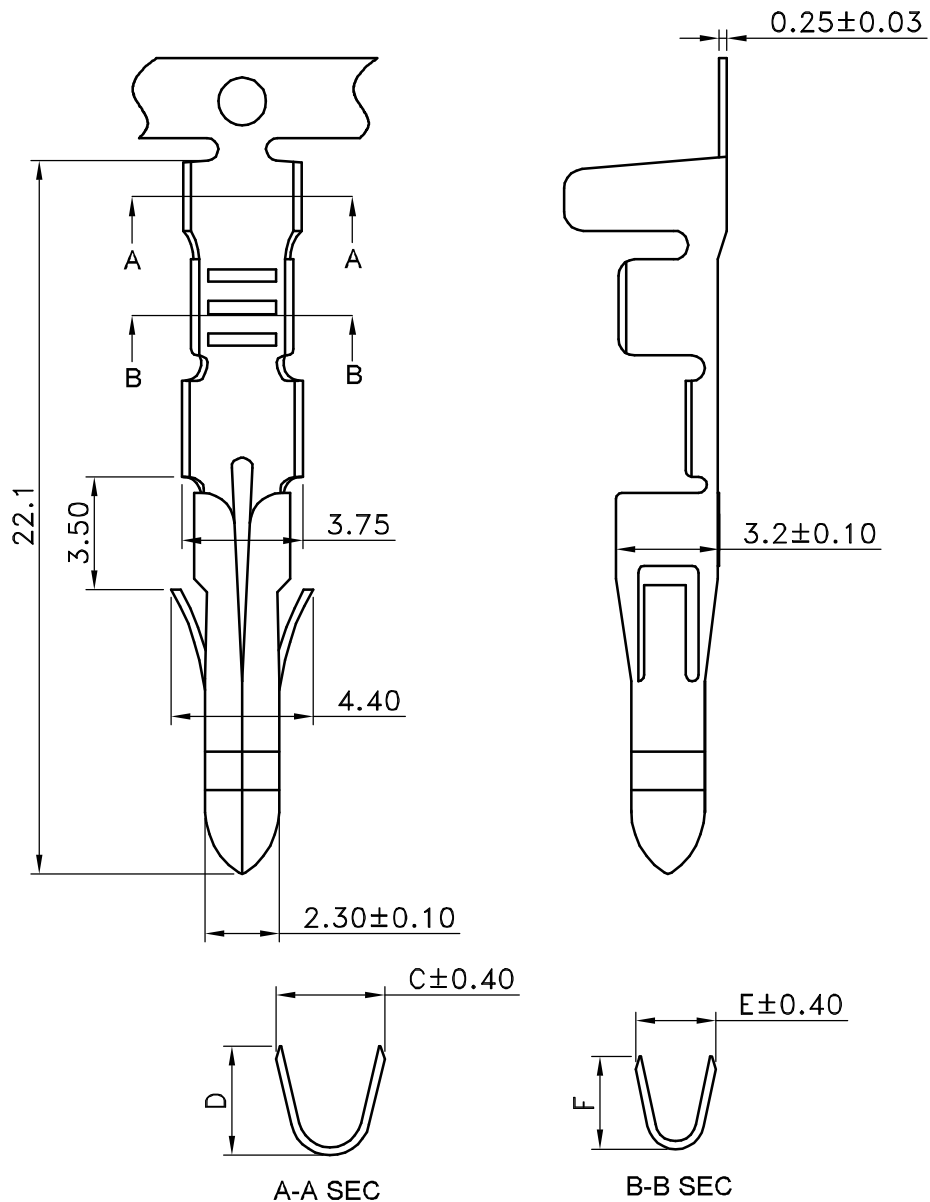


喬訊電子工業股份有限公司
CHYAO SHIUNN
ELECTRONIC INDUSTRIAL LTD.

APPROVED BY	SCALE	UNIT	TOLERANCE	LTR	REVISION RECORD	NAME	DATE	LTR	REVISION RECORD	NAME	DATE
Tom Shih		mm	.0 ±0.30	△	RoHS Compliant	XXX	2006/04/01	△			
CHECKED BY	PROJ	VER NO.	.00 ±0.20	△	200811-024	XXX	2008/11/27	△			
Erin Chou		a6	.000 ±0.10	△	201004-002	黃科源	2010/04/13	△			
DRAWN BY	DATE	SIZE	ANGLE	△	修改Spec.	張逸維	2013/05/21				
Eddie	2023/03/15	A4	0° ±1°	△	修正2x2尺寸	吳弘文	2015/11/24				
			.0° ±	△	新增P數	Eddie	2023/03/15				
			SHEET 1/1	△							

PART NO JS-2330B-XXE
ø2.36mm Power Connectors Plug Housing

CUSTOMER
Conforms to The RoHS Instruction



■ SPECIFICATIONS

- Voltage Rating : Pitch : 6.7mm 600V AC/DC
Pitch : 5.03mm 250V AC/DC
- Current Rating : Pitch : 6.7mm 17A AC/DC
Pitch : 5.03mm 12A AC/DC
- Withstanding Voltage : 2,000V AC/minute
- Insulation Resistance : 1,000M Ω min.
- Temperature Range : -40°C~+105°C
- Contact Resistance : 20m Ω max.

■ TERMINAL

- Part No. : JS-2330BS2-2X
Product Code: ①
- ①Crimp Type:
Blank: Normal Type
L:Low Type
- Applicable Wires :
JS-2330BS2-2:AWG# 14 - 20
JS-2330BS2-2L:AWG# 20 - 24
- Material : Brass
- Finish : Tin Plated
- Thickness : 0.25mm
- Q'ty : JS-2330BS2-2 : 4,000 pcs/Reel
JS-2330BS2-2L : 5,000 pcs/Reel

Product Code	Dimension(mm)			
	C	D	E	F
JS-2430BS-2	5.0	4.8	3.0	3.6
JS-2430BS-2L	3.6	3.3	2.6	2.6



喬訊電子工業股份有限公司
CHYAO SHIUNN
ELECTRONIC INDUSTRIAL LTD.

APPROVED BY	SCALE	UNIT	TOLERANCE	LTR	REVISION RECORD	NAME	DATE	LTR	REVISION RECORD	NAME	DATE
Tom Shih		mm	.0 ±0.30	△				△			
CHECKED BY	PROJ	VER NO.	.00 ±0.20	△				△			
Erin Chou	⊕	α	.000 ±0.10	△				△			
DRAWN BY	DATE	SIZE	ANGLE	△				△			
Tom Lee	2017/10/30	A4	0° ±1°	△				△			
			.0° ±	△				△			
			SHEET 1/1	△				△			

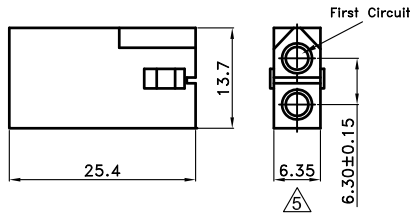
PART NO JS-2330BS2-2X

(∅2.36mm) Wire to Wire Power Connectors, Terminal

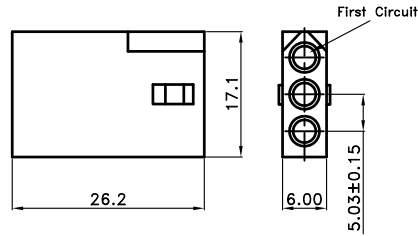
CUSTOMER

Conforms to The RoHS Instruction

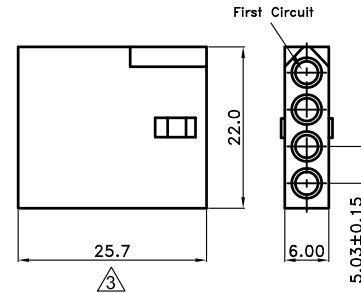
JS-2430-02



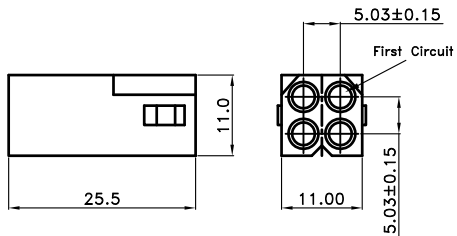
JS-2430-03



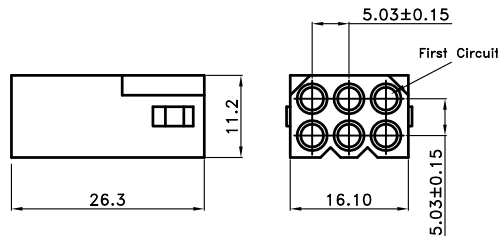
JS-2430-04



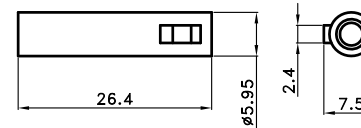
JS-2430-2x2



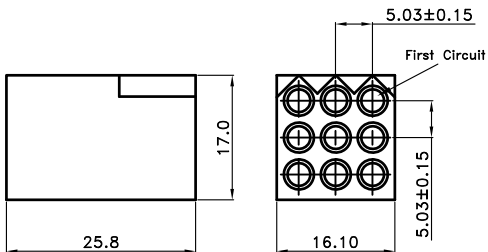
JS-2430-06



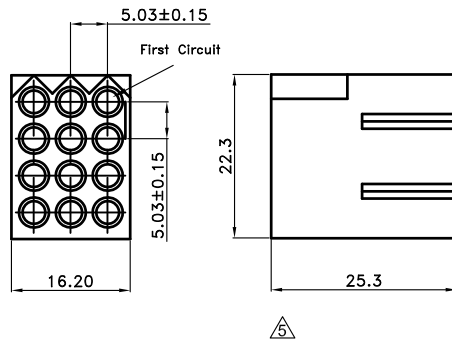
JS-2430-01



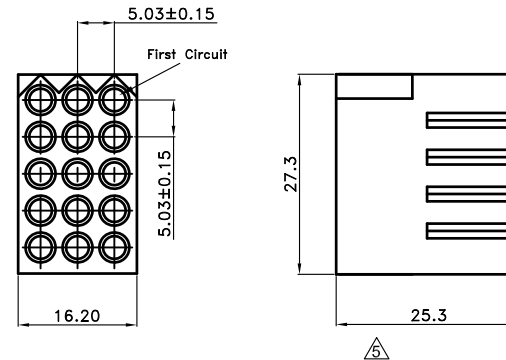
JS-2430-09



JS-2430-12



JS-2430-15



■ SPECIFICATIONS

- Current Rating : 12A AC/DC
- Withstanding Voltage : 1,500V AC/minute
- Insulation Resistance : 1,000MΩ min
- Temperature Range : -40°C to +105°C
- Contact Resistance : 20mΩ max

■ PLUG HOUSING(Without Ear)

- Part No. : JS-2430-XX

- ① Poles No. : 1, 2, 3, 4, 2x2, 6, 9, 12, 15
- Material : Nylon 66 UL94V-2
- Package : Bag



喬訊電子工業股份有限公司

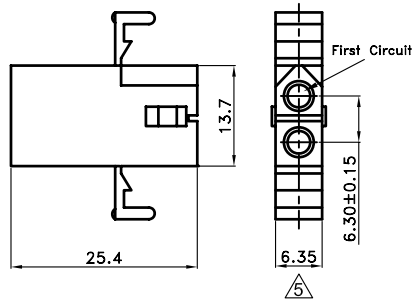
CHYAO SHIUNN
ELECTRONIC INDUSTRIAL LTD.

PART NO JS-2430-XX

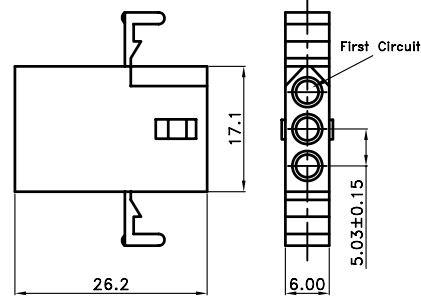
5.03mm(Ø2.36mm) Wire to Wire Power Connector Series

APPROVED BY	SCALE	UNIT	TOLERANCE	LTR	REVISION RECORD	NAME	DATE	LTR	REVISION RECORD	NAME	DATE
張育瑞		mm	.0 ±0.35	△	修改圖面內容	黃科源	08/11/27				
CHECKED BY	PROJ	VER NO.	.00 ±0.10	△	修改標準公差.0 = ±0.35 ; .00 = ±0.10	黃科源	10/04/13				
周慈雲	⊕	a5	.000	△	2P尺寸錯誤修正	王誠賢	10/11/01				
DRAWN BY	DATE	SIZE	ANGLE		12P, 15P 變更視圖方向·增加缺口標示	吳弘文	15/09/15	CUSTOMER			
吳弘文	2015/09/15	A4	0° ±1°								
			.0° ±								
			SHEET	1/1						Conforms to The RoHS Instruction	

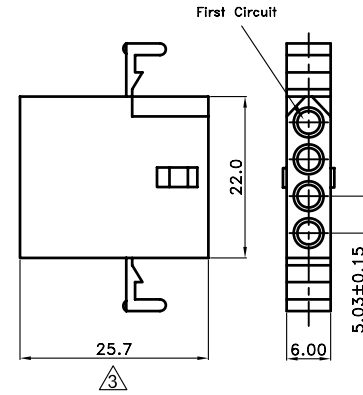
JS-2430B-02E



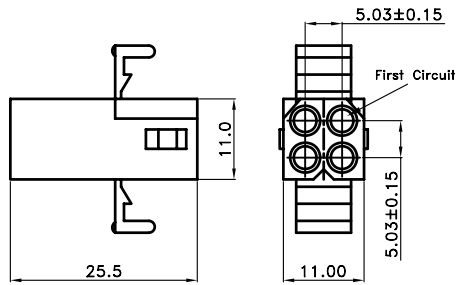
JS-2430B-03E



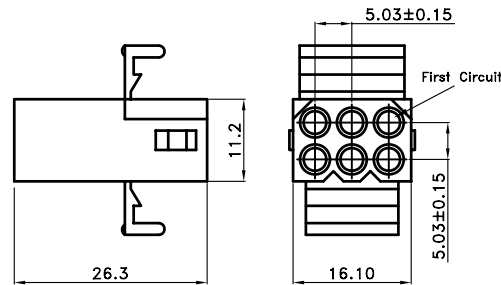
JS-2430B-04E



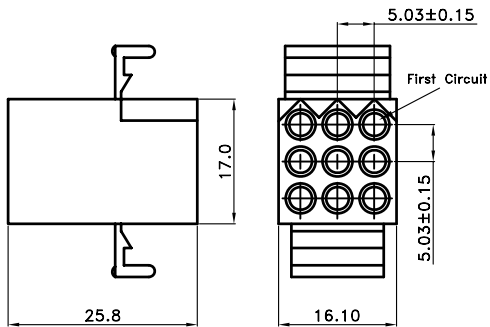
JS-2430B-2x2E



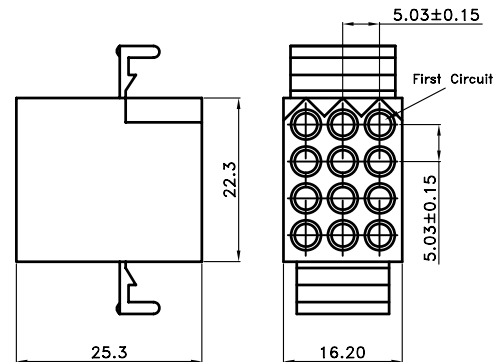
JS-2430B-06E



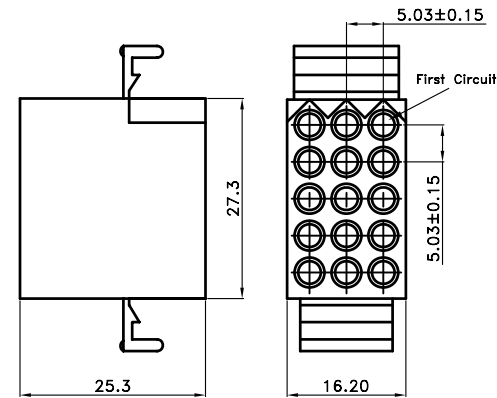
JS-2430B-09E



JS-2430B-12E



JS-2430B-15E



■ SPECIFICATIONS

- Current Rating : 12A AC/DC
- Withstanding Voltage : 1,500V AC/minute
- Insulation Resistance : 1,000MΩ min
- Temperature Range : -40°C to +105°C
- Contact Resistance : 20mΩ max

■ PLUG HOUSING(With Ear)

- Part No. : JS-2430B-XXE

Poles No. ←

- Poles No. : 2, 3, 4, 2x2, 6, 9, 12, 15
- Material : Nylon 66 UL94V-2
- Package : Bag



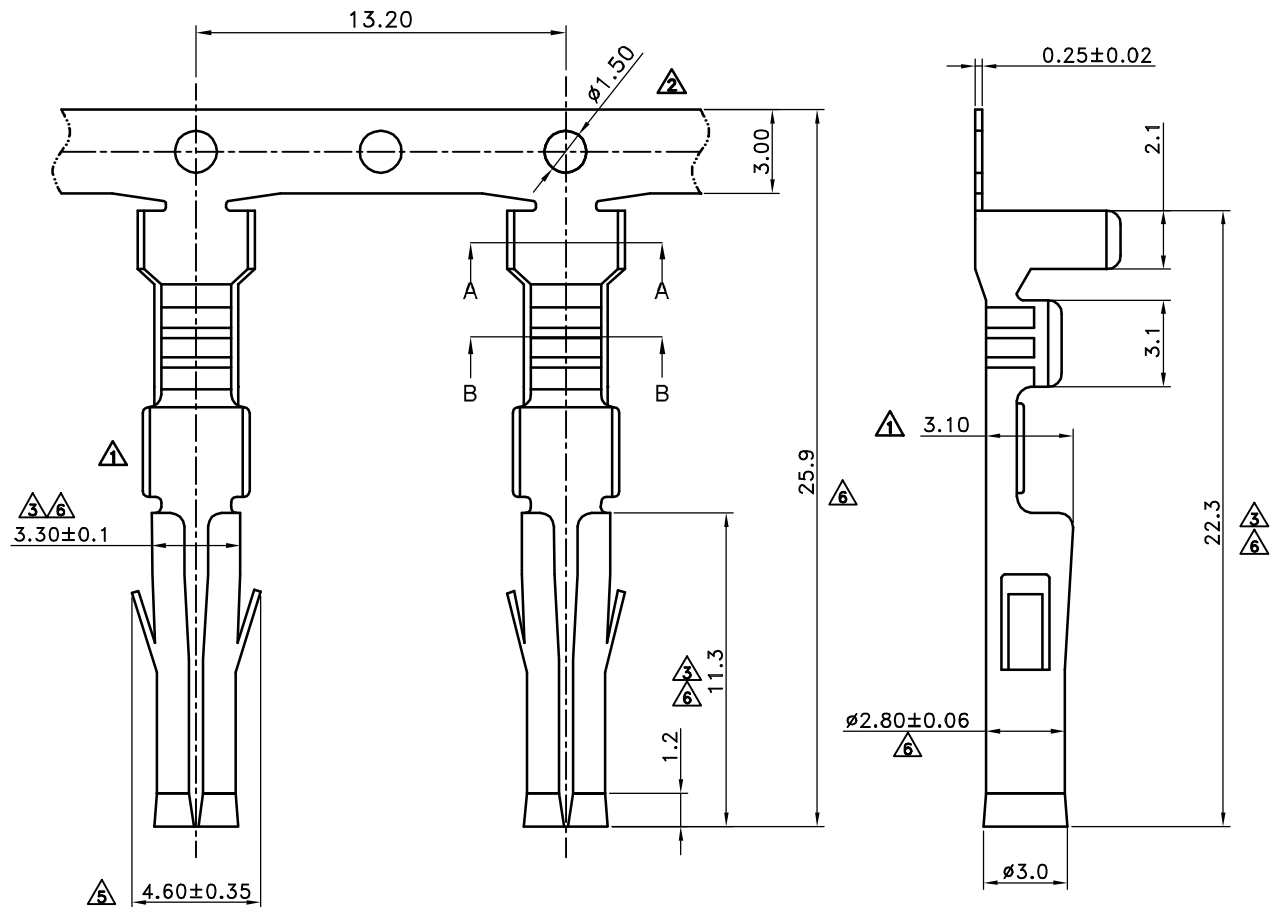
喬訊電子工業股份有限公司

CHYAO SHIUNN
ELECTRONIC INDUSTRIAL LTD.

PART NO JS-2430B-XXE

5.03mm(Ø2.36mm) Wire to Wire Power Connector Series

APPROVED BY	SCALE	UNIT	TOLERANCE	LTR	REVISION RECORD	NAME	DATE	LTR	REVISION RECORD	NAME	DATE
張育瑞		mm	.0 ±0.35	△	修改圖面內容	黃科源	08/11/27				
CHECKED BY	PROJ	VER NO.	.00 ±0.10	△	4P的26.2mm修改為25.7mm	黃科源	09/07/17				
黃科源	⊕	a5	.000	△	修改標準公差.0 = ±0.35 ; .00 = ±0.10	黃科源	10/04/13				
DRAWN BY	DATE	SIZE	ANGLE	△	2P尺寸錯誤修正	王誠賢	10/11/01	CUSTOMER			
王誠賢	2010/11/01	A4	0° ±1°					CUSTOMER			
			.0° ±					CUSTOMER			
		SHEET	1/1					CUSTOMER			
										Conforms to The RoHS Instruction	

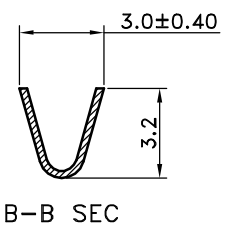
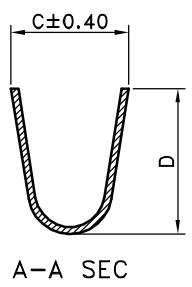
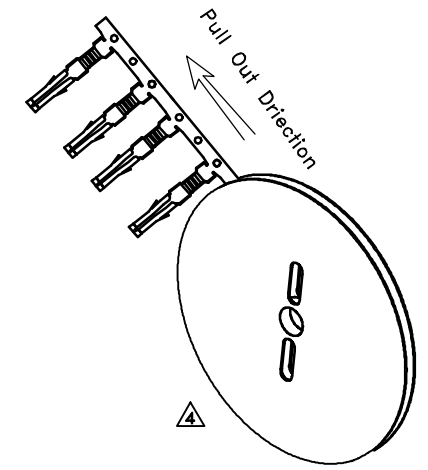


▲ SPECIFICATIONS

- Voltage Rating : Pitch : 6.7mm 600V AC/DC
Pitch : 5.03mm 250V AC/DC
- Current Rating : Pitch : 6.7mm 17A AC/DC
Pitch : 5.03mm 12A AC/DC
- Withstanding Voltage : 2,000V AC/minute
- Insulation Resistance : 1,000MΩ min.
- Temperature Range : -40°C~+105°C
- Contact Resistance : 20mΩ max.

■ TERMINAL

- Part No. : JS-2430BS-2 X
Product Code: ①
- ① Crimp Type:
Blank : Normal Type
L : Low Type
- Applicable Wires :
JS-2430BS-2 : AWG# 14 - 20
JS-2430BS-2L : AWG# 18 - 22
- Material : Brass
- Finish : Tin Plated
- Thickness : 0.25mm
- Q'ty : JS-2430BS-2 : 3,500 pcs/Reel
JS-2430BS-2L : 5,000 pcs/Reel



Product Code	Dimension(mm)	
	C	D
JS-2430BS-2	4.2	5.2
JS-2430BS-2L	3.7	3.6

CS 喬訊電子工業股份有限公司
CHYAO SHIUNN
ELECTRONIC INDUSTRIAL LTD.

APPROVED BY	SCALE	UNIT	TOLERANCE	LTR	REVISION RECORD	NAME	DATE	LTR	REVISION RECORD	NAME	DATE
TOM		mm	.0 ±0.30	▲	修改圖面	陳文松	2005/09/09	▲			
CHECKED BY	PROJ	VER NO.	.00 ±0.20	▲	修改及合併圖面	林謙豪	2012/02/17	▲			
ERIN	⊕	a6	.000 ±0.10	▲	依規格書修改SPEC. 修改部分尺寸	張逸維	2013/06/11	▲			
DRAWN BY	DATE	SIZE	ANGLE		增加端子捲繞方向圖	吳弘文	2014/10/23	CUSTOMER			
JIMMY	2020/11/12	A4	0° ±1°	▲	尺寸修正	吳弘文	2015/07/15				
			.0° ±	▲	尺寸修正	JIMMY	2020/11/12pl				
SHEET 1/1			Conforms to The RoHS Instruction								

PART NO JS-2430BS-2X
(Ø2.36mm) Wire to Wire Power Connectors, Terminal