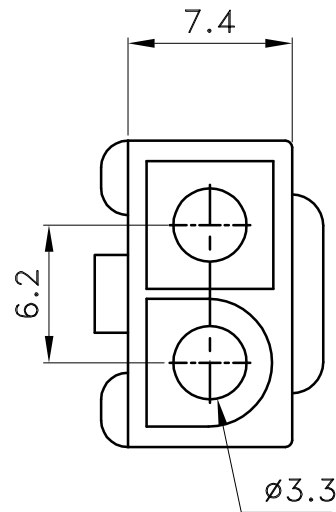
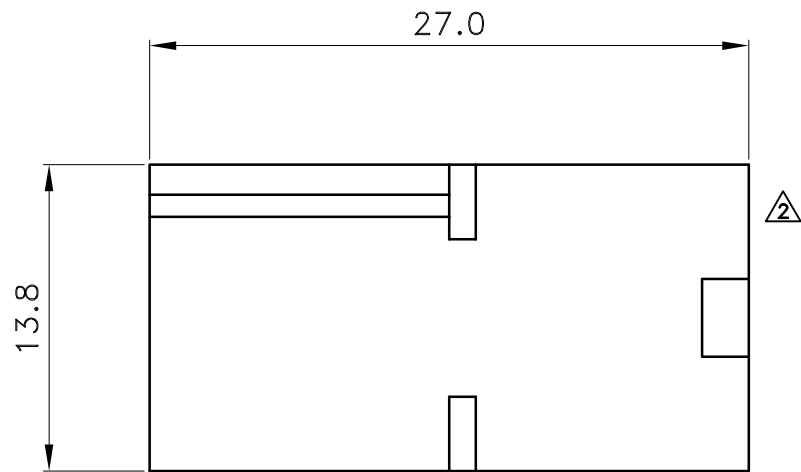


JS-2000H-01

■ SPECIFICATIONS

- Current Rating : 9~15A AC/DC
- Withstanding Voltage : 1,500V AC/minute
- Insulation Resistance : 1,000M Ω min
- Temperature Range : - 25 $^{\circ}$ C to + 85 $^{\circ}$ C
- Contact Resistance : 20m Ω max



JS-2000H-02

■ RECEPTACLE

- Part No. : JS-2000H-XX
- Poles : 01, 02
- Material : Nylon 66 UL94V-2

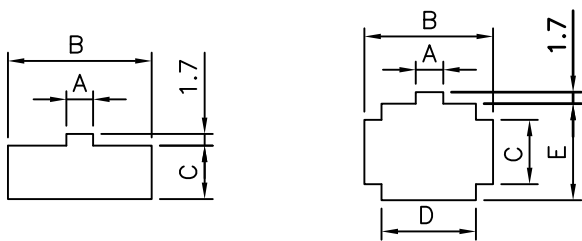


喬訊電子工業股份有限公司
CHYAO SHIUNN
ELECTRONIC INDUSTRIAL LTD.

APPROVED BY	SCALE	UNIT	TOLERANCE	LTR	REVISION RECORD	NAME	DATE	LTR	REVISION RECORD	NAME	DATE
張育瑞		mm	.0 ±0.30	▲	變更原因遺失	余秀麗	2005/05/15	▲			
CHECKED BY	PROJ	VER NO.	.00 ±0.20	▲	移除圖面上三角形符號	王誠賢	2011/12/31	▲			
黃科源	⊕ □	a2	.000 ±0.10	▲				▲			
DRAWN BY	DATE	SIZE	ANGLE						CUSTOMER		
王誠賢	2011/12/31	A4	0° ±1°	▲					Conforms to The RoHS Instruction		
			.0° ±	▲							
			SHEET	1/1	▲						

PART NO JS-2000H-XX

6.20mm WIRE TO WIRE POWER CONNECTOR



Panel Layout 1
General Tolerance ± 0.05

Panel Layout 2
General Tolerance ± 0.05

Part No	Dimensions				
	A	B	C	D	E
JS-2000H-02E	3.90	21.00	7.80	-	-
JS-2000H-03E	3.90	27.20	7.80	-	-
JS-2000H-04E	3.90	33.40	7.80	-	-
JS-2000H-2x2E	4.20	21.00	9.40	14.00	14.10
JS-2000H-06E	4.20	27.20	9.40	20.30	14.10
JS-2000H-09E	4.20	27.20	12.80	20.30	20.30
JS-2000H-12E	4.20	33.50	12.80	26.70	20.30
JS-2000H-15E	4.20	39.70	12.80	33.00	20.30

SPECIFICATIONS

- Voltage Rating : 300 - 600 V AC/DC
- Current Rating : 9 - 15A AC/DC
- Withstanding Voltage : 1,500V AC/minute
- Insulation Resistance : 1,000M Ω min
- Temperature Range : - 20°C to + 85°C
- Contact Resistance : 20m Ω max

HOUSING

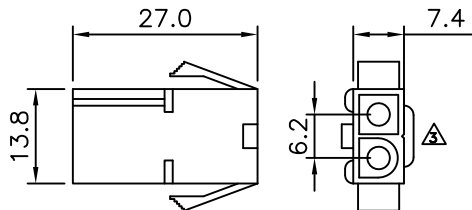
- Part No. : JS-2000H-XXE

Code No: ①

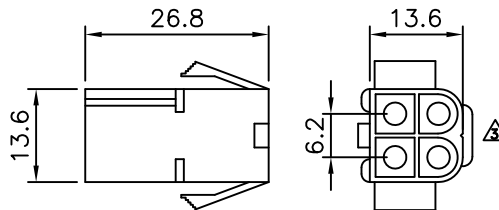
① Poles : 2, 3, 4, 6, 9, 12, 15

• Material : Nylon 66 UL94V-2

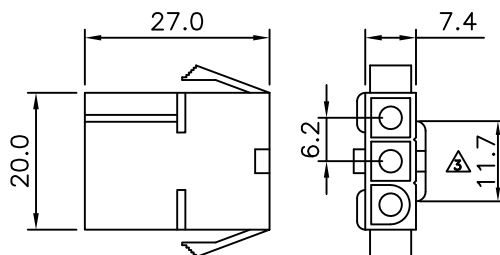
• Q' ty : 1,000 pcs./Bag



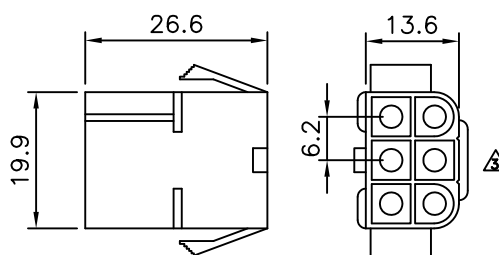
JS-2000H-02E



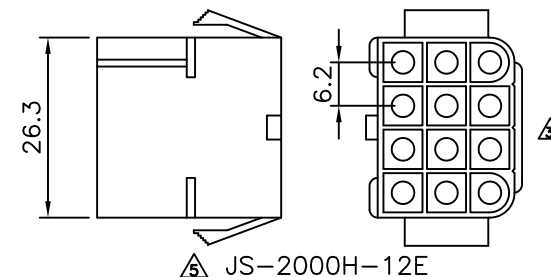
JS-2000H-2x2E



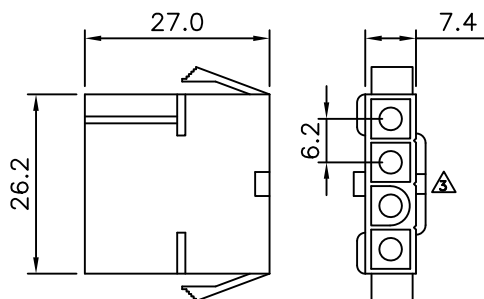
JS-2000H-03E



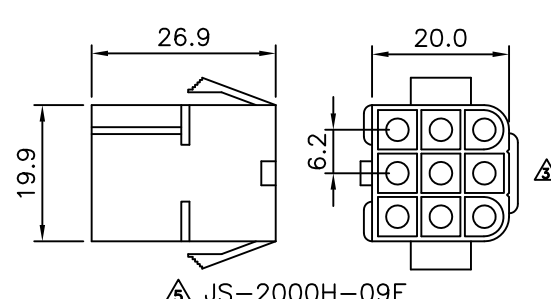
JS-2000H-06E



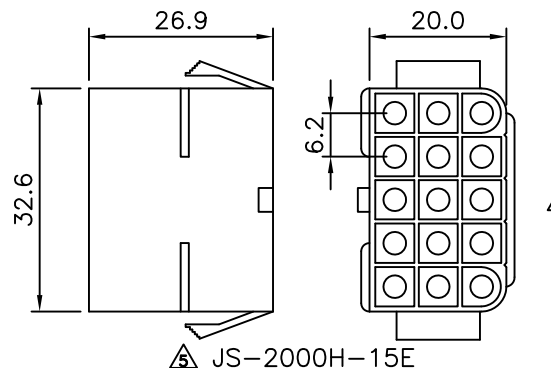
JS-2000H-12E



JS-2000H-04E



JS-2000H-09E



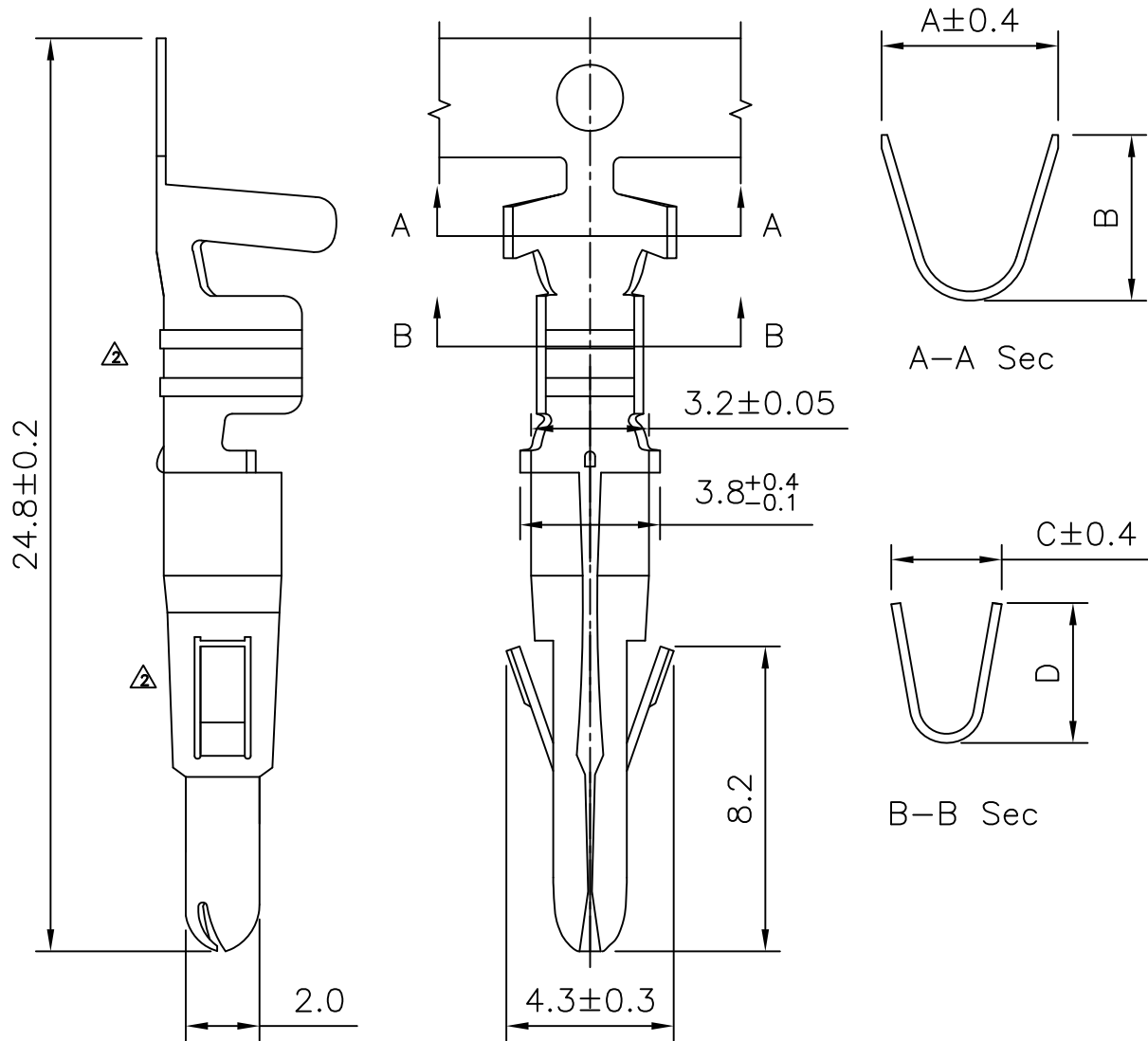
JS-2000H-15E

CHYAO SHIUNN ELECTRONIC INDUSTRIAL LTD.

PART NO JS-2000H-XXE

ø2.00mm Power Connectors Housing

APPROVED BY	SCALE	UNIT	TOLERANCE	LTR	REVISION RECORD	NAME	DATE	LTR	REVISION RECORD	NAME	DATE
張育瑞		mm	.0	△	增加三角記號	余秀麗	2005/05/15	△			
CHECKED BY	PROJ	VER NO.	.00	△	刪除舊料號	吳弘文	2013/12/02	△			
周慈雲	⊕	a5	.000	△	修正產品外觀	吳弘文	2013/12/09	△			
DRAWN BY	DATE	SIZE	ANGLE		增加 Panel Layout 圖	吳弘文	2014/07/18	CUSTOMER			
吳弘文	2014/08/05	A4	0°	△	刪除圖面三角型記號	吳弘文	2014/08/05				
			.0°	△	Conforms to The RoHS Instruction						
			SHEET	1/1							



■ SPECIFICATIONS

- Voltage Rating : 300 - 600V AC/DC
- Current Rating : 9 -15A AC/DC
- Withstanding Voltage : 1,500V AC/minute
- Insulation Resistance : 1,000MΩ min.
- Temperature Range : - 25°C to + 85°C
- Contact Resistance : 20mΩ max.

■ TERMINAL

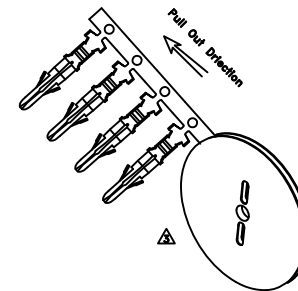
△ Part No. : JS-2000H-TX

①

① Applicable wires : TH : AWG# 14 - 18
TL : AWG# 18 - 22

- Material : Brass
- Finish : Tin plated
- Thickness : 0.25mm
- Q' ty : JS-2000H-TH : 3,500 pcs./Reel
JS-2000H-TL : 5,000 pcs./Reel

Part No.	Dimensions(mm)±0.4			
	A	B	C	D
JS-2000H-TH	4.80	4.85	2.90	3.70
JS-2000H-TL	4.10	3.20	2.60	2.30



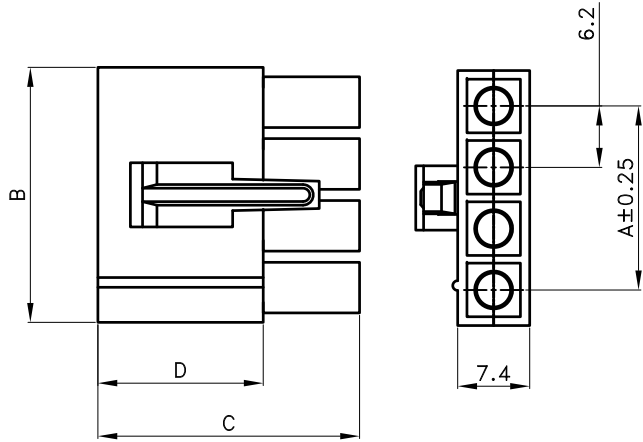
喬訊電子工業股份有限公司
CHYAO SHIUNN
ELECTRONIC INDUSTRIAL LTD.

PART NO JS-2000H-TX

2.00mm Power Connectors Terminal

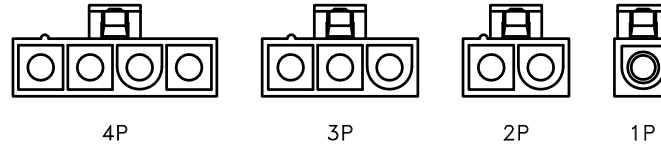
APPROVED BY	SCALE	UNIT	TOLERANCE	LTR	REVISION RECORD	NAME	DATE	LTR	REVISION RECORD	NAME	DATE
張育瑞		mm	.0 ±0.30	△	刪除舊料號	吳弘文	2013/12/02	△			
CHECKED BY	PROJ	VER NO.	.00 ±0.20	△	修正產品外觀	吳弘文	2013/12/09	△			
周慈雲		a3	.000 ±0.10	△	增加端子捲繞方向圖	吳弘文	2014/10/24	△			
DRAWN BY	DATE	SIZE	ANGLE	△					CUSTOMER		
吳弘文	2013/12/09	A4	0° ±1°	△					Conforms to The RoHS Instruction		
			.0° ±	△							
			SHEET 1/1	△							

Single Row



Single Row

Poles	Dimensions(mm)			
	A	B	C	D
01	---	7.3	28.5	18.4
02	6.30	13.6	27.0	17.1
03	12.60	20.0	27.0	17.2
04	18.90	26.2	26.9	17.0



SINGLE TYPE VIEW

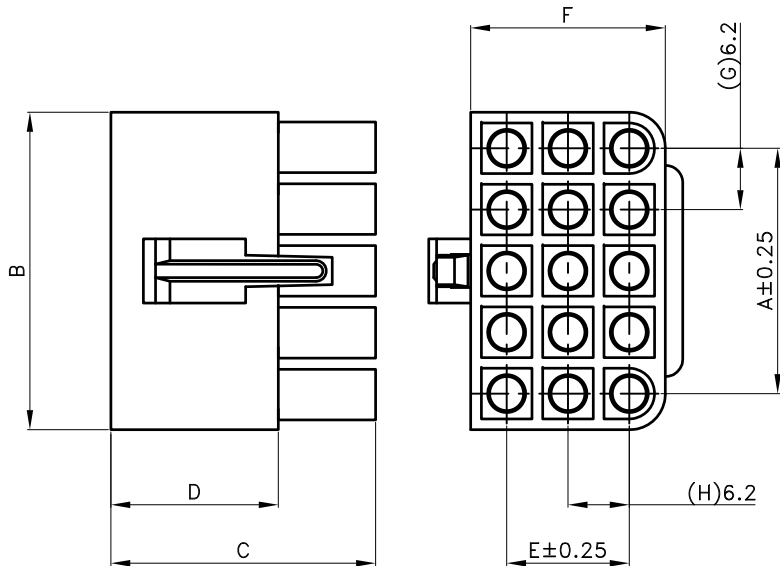
■ SPECIFICATIONS

- Current Rating : 9~15A AC/DC
- Withstanding Voltage : 1,500V AC/minute
- Insulation Resistance : 1,000M Ω min
- Temperature Range : - 25°C to + 85°C
- Contact Resistance : 20m Ω max

■ HOUSING

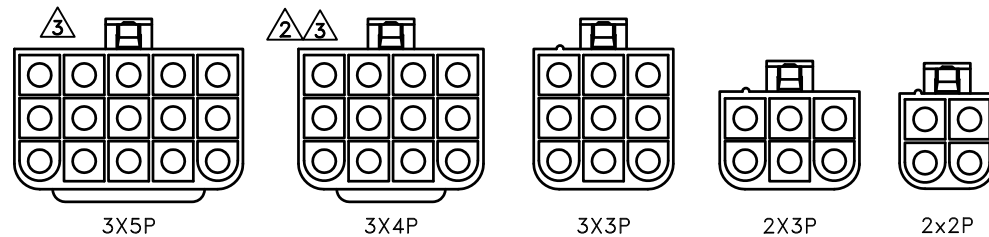
- Part No. : JS-2000W-XX
- Poles : 1, 2, 3, 4, 2x2, 2x3, 3x3, 3x4, 3x5
- Material : Nylon 66 UL94V-2
- Q' ty : 1,000 pcs./Bag

Matrix Row



Matrix Row

Poles	Dimensions(mm)					
	A	B	C	D	E	F
2x2	6.30	13.6	27.0	17.2	6.30	13.6
2x3	12.60	19.9	27.0		14.0	
3x3	12.60	19.9	26.9		12.60	20.0
3x4	18.90	26.4	27.0			
3x5	25.20	32.6	27.2			



MATRIX TYPE VIEW

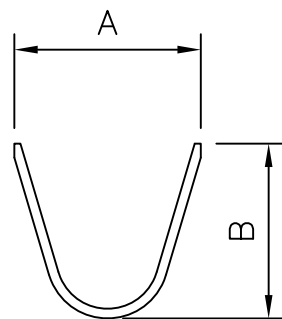
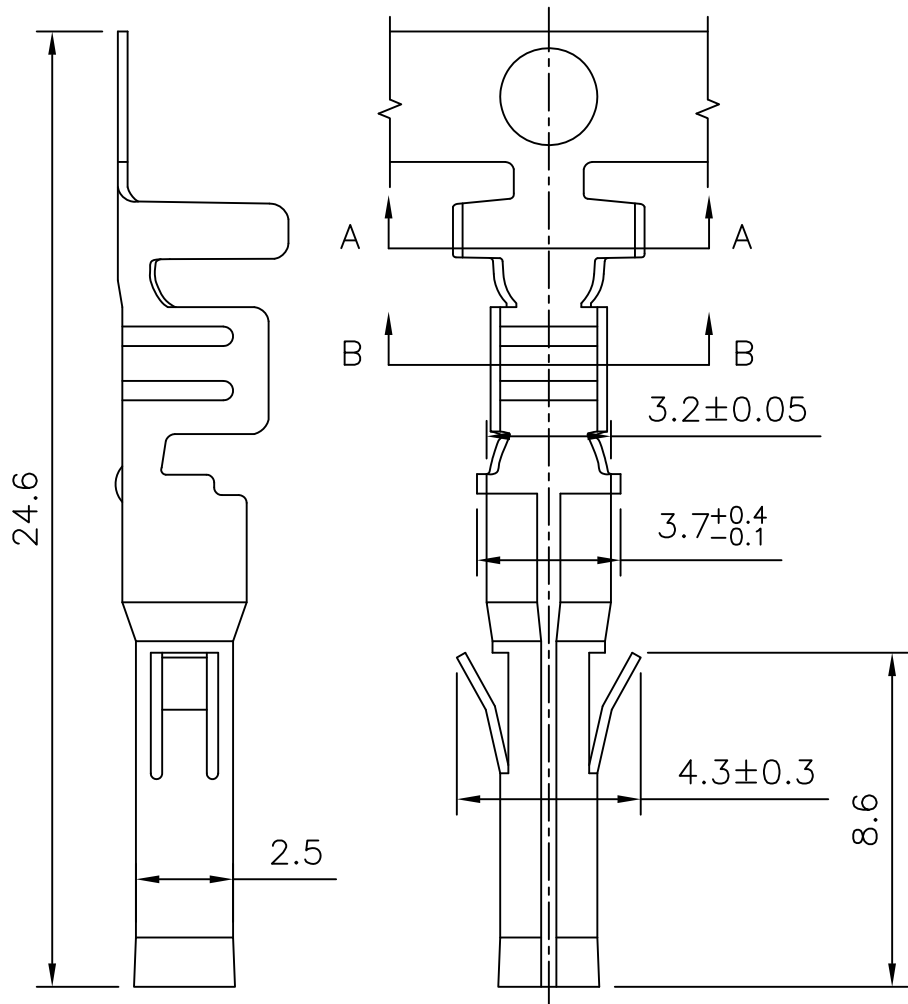


喬訊電子工業股份有限公司
CHYAO SHIUNN
ELECTRONIC INDUSTRIAL LTD.

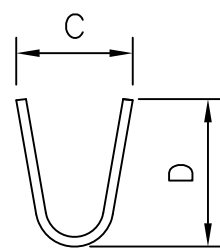
PART NO JS-2000W-XX

Ø2.00mm Wire to Wire Power Connector

APPROVED BY	SCALE	UNIT	TOLERANCE	LTR	REVISION RECORD	NAME	DATE	LTR	REVISION RECORD	NAME	DATE
張育瑞		mm	.0 ±0.30	△	變更原因遺失	余秀麗	2005/05/15	△			
CHECKED BY	PROJ	VER NO.	.00 ±0.20	△	修改產品外觀結構	王誠賢	2011/12/01	△			
周慈雲		a3	.000 ±0.10	△	修正3x5, 3x4為無肋條	吳弘文	2014/08/05	△			
DRAWN BY	DATE	SIZE	ANGLE						CUSTOMER		
吳弘文	2014/08/05	A4	0° ±1°	△					Conforms to The RoHS Instruction		
			.0° ±	△							
			SHEET	1/1	△						



A-A Sec



B-B Sec

■ SPECIFICATIONS

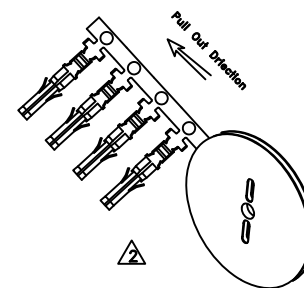
- Voltage Rating : 300-600V AC/DC
- Current Rating : 9-15A AC/DC
- Withstanding Voltage : 1,500V AC/minute
- Insulation Resistance : 1,000MΩ min.
- Temperature Range : - 25°C to + 85°C
- Contact Resistance : 20mΩ max.

■ TERMINAL

- △ Part No. : JS-2000W-TX
- Code No. ①
- ① Applicable Wires : TH : AWG# 14 - 18
TL : AWG# 18 - 22

- Material : Brass
- Finish : Tin Plated
- Thickness : 0.25mm
- Q' ty : JS-2000W-TH : 3,500 pcs./Reel
JS-2000W-TL : 5,000 pcs./Reel

Part No.	Dimensions(mm)±0.4			
	A	B	C	D
JS-2000W-TH	4.80	4.50	3.00	3.80
JS-2000W-TL	4.10	3.30	2.50	2.20



喬訊電子工業股份有限公司
CHYAO SHIUNN
ELECTRONIC INDUSTRIAL LTD.

PART NO JS-2000W-TX

∅2.00mm Power Connectors Terminal

APPROVED BY	SCALE	UNIT	TOLERANCE	LTR	REVISION RECORD	NAME	DATE	LTR	REVISION RECORD	NAME	DATE
張育瑞		mm	.0 ±0.30	△	刪除GP編碼	吳弘文	2004/12/31	△			
CHECKED BY	PROJ	VER NO.	.00 ±0.20	△	增加端子捲繞方向圖	吳弘文	2014/10/24	△			
黃科源	⊕ □	a2	.000 ±0.10	△				△			
DRAWN BY	DATE	SIZE	ANGLE	△					CUSTOMER		
吳弘文	2014/10/24	A4	0° ±1°	△					Conforms to The RoHS Instruction		
			.0° ±	△							
			SHEET 1/1	△							