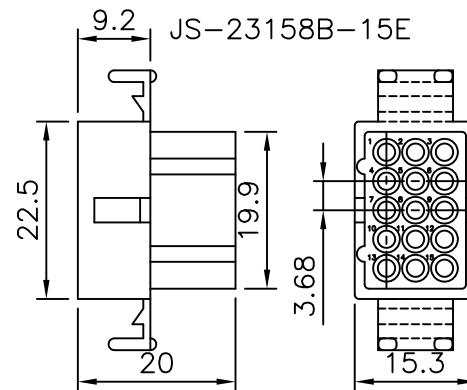
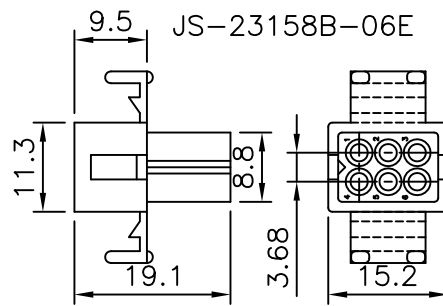
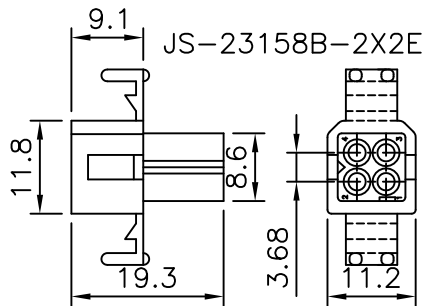
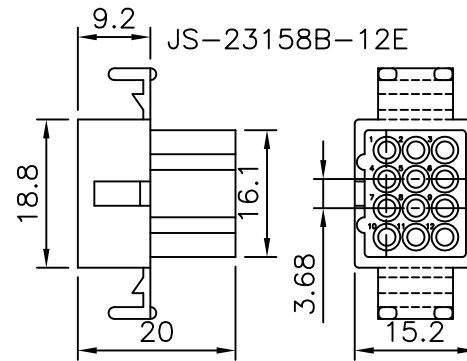
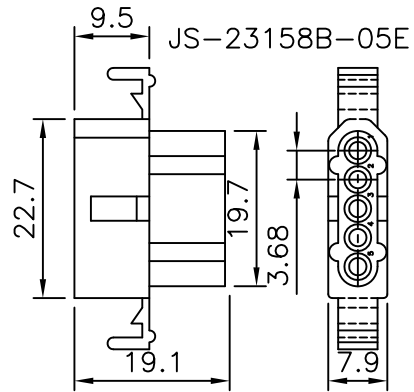
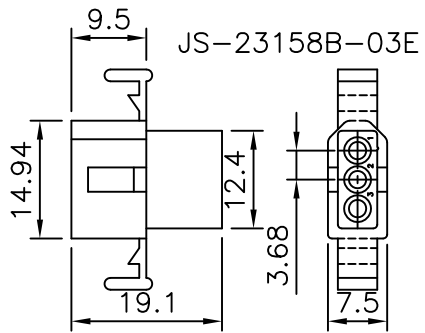
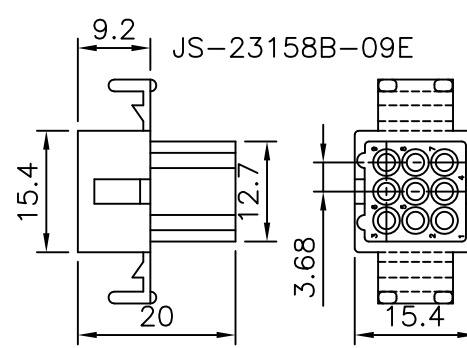
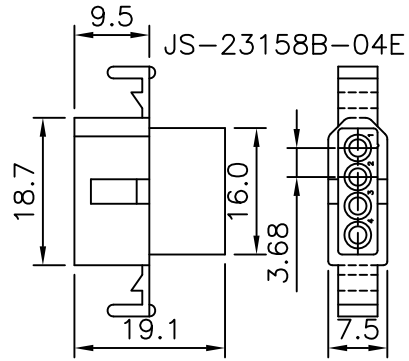
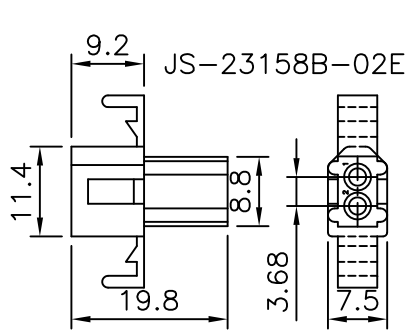


- SPECIFICATIONS**
- Current Rating : 5 A AC/DC
 - Withstanding Voltage : 1,500V AC/minute
 - Insulation Resistance : 1,000M Ω min
 - Temperature Range : - 40°C to + 105°C
- RECEPTACLE**
- Part No. : JS-23158-XX
 - Poles : 1, 2, 3, 4, 5, 6, 9, 12, 15
 - Material : Nylon 66 UL94V-2
 - Q' ty : 1,000 pcs./Bag



喬訊電子工業股份有限公司
CHYAO SHIUNN
ELECTRONIC INDUSTRIAL LTD.

APPROVED BY	SCALE	UNIT	TOLERANCE	LTR	REVISION RECORD	NAME	DATE	LTR	REVISION RECORD	NAME	DATE
張育瑞		mm	.0 ±0.30	1	200706-005	黃科源	07/06/06	2			
CHECKED BY	PROJ	VER NO.	.00 ±0.20	3	圖面尺寸修改	劉怡萱	11/06/07	4			
黃科源		a2	.000 ±0.10	5				6			
劉怡萱	2011/06/07	A4	ANGLE	7							
			0° ±1°	8							
			.0° ±	9							
			SHEET 1/1	10							
PART NO JS-23158-XX									CUSTOMER		
ø1.58mm Power Connectors Receptacle									Conforms to The RoHS Instruction		



■ SPECIFICATIONS

- Voltage Rating : 250 V AC/DC
- Current Rating : 5 A AC/DC
- Withstanding Voltage : 1,500V AC/minute
- Insulation Resistance : 1,000M Ω min
- Temperature Range : - 40 $^{\circ}$ C to + 105 $^{\circ}$ C
- Contact Resistance : 20m Ω max

■ HOUSING

- Part No. : JS-23158B-XXE

①

- ① Poles : 1, 2, 3, 4, 5, 6, 9, 12, 15
- Material : Nylon 66 UL94V-2
- Q' ty : 1,000 pcs./Bag



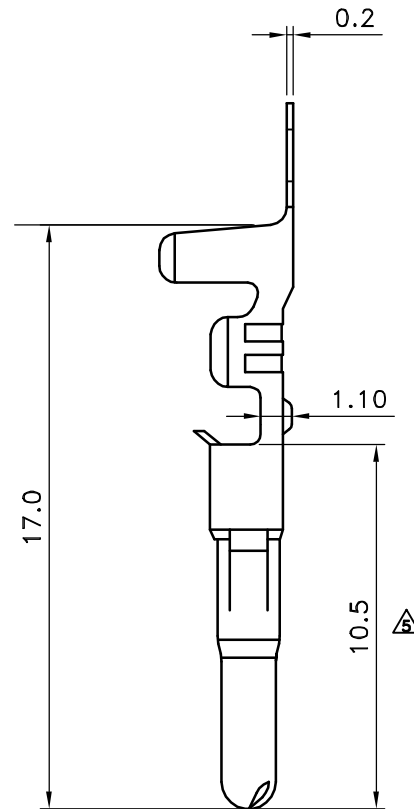
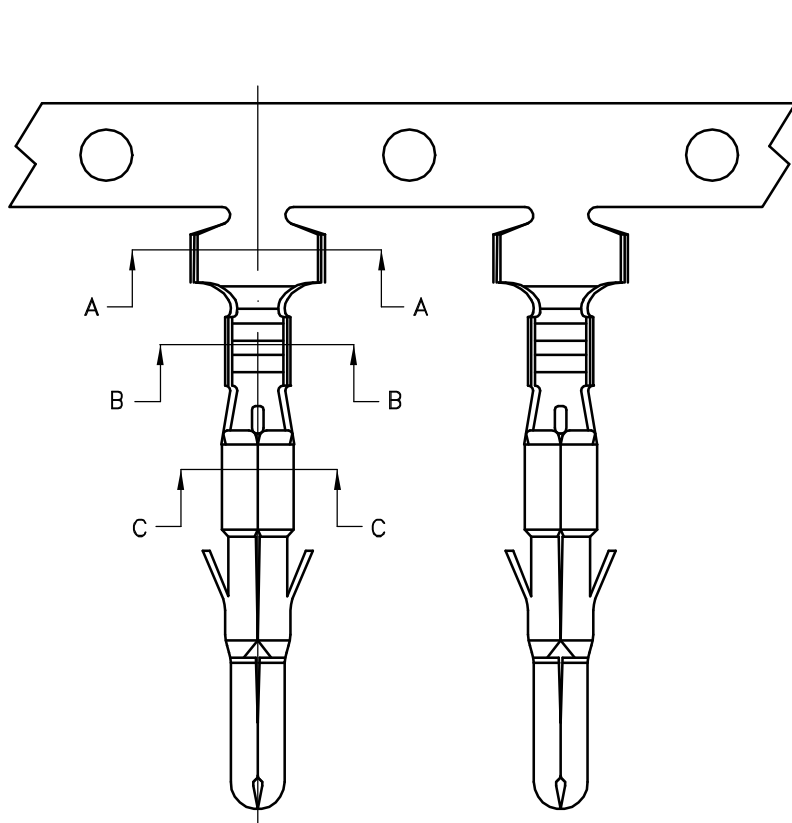
喬訊電子工業股份有限公司

CHYAO SHIUNN
ELECTRONIC INDUSTRIAL LTD.

PART NO JS-23158B-XXE

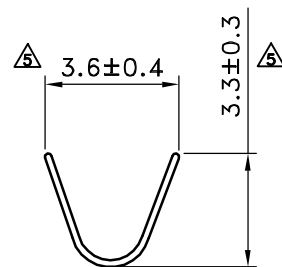
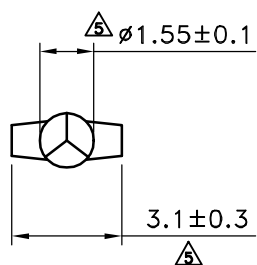
ø1.56mm Power Connectors Housing

APPROVED BY	SCALE	UNIT	TOLERANCE	LTR	REVISION RECORD	NAME	DATE	LTR	REVISION RECORD	NAME	DATE
張育瑞		mm	.0 ±0.30	△	刪除舊料號，更新圖框	吳弘文	2014/12/09	△			
CHECKED BY	PROJ	VER NO.	.00 ±0.20	△				△			
周慈雲	⊕	a1	.000 ±0.10	△				△			
DRAWN BY	DATE	SIZE	ANGLE	△					CUSTOMER		
吳弘文	2014/12/09	A4	0° ±1°	△					Conforms to The RoHS Instruction		
			.0° ±	△							
			SHEET 1/1	△							

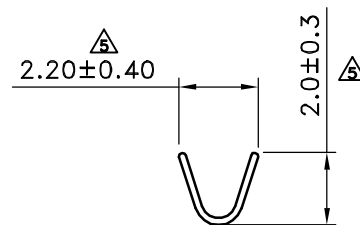


- **SPECIFICATIONS**
- Voltage Rating : 250 V AC/DC
 - Current Rating : 5 A AC/DC
 - Withstanding Voltage : 1,500V AC/minute
 - Insulation Resistance : 1,000M Ω min
 - Temperature Range : - 25 $^{\circ}$ C to + 105 $^{\circ}$ C
 - Contact Resistance : 20m Ω max

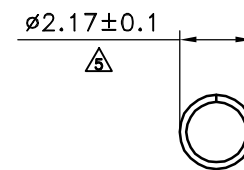
- **TERMINAL**
- Part No. : JS-23158BS-2
 - Applicable Wires : AWG # 18 - 24
 - Material : Brass
 - Finish : Tin Plated
 - Thickness : 0.2 mm
 - Q' ty : 7,000 pcs./Reel



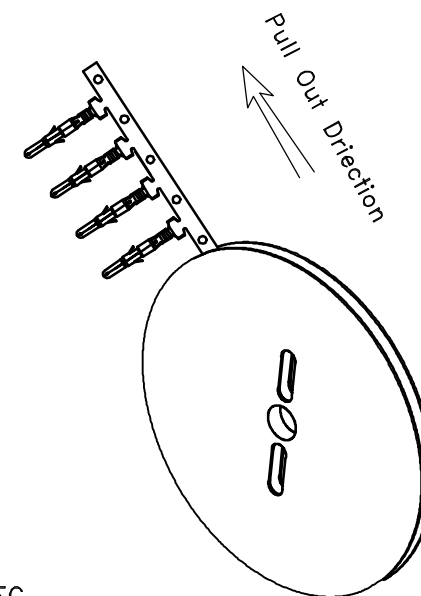
A-A SEC



B-B SEC



C-C SEC

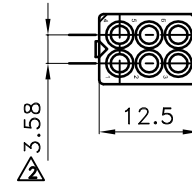
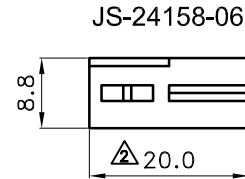
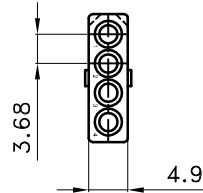
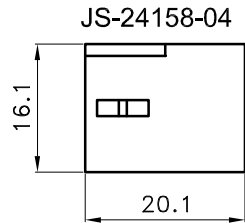
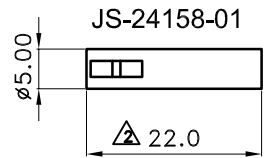


喬訊電子工業股份有限公司
CHYAO SHIUNN
ELECTRONIC INDUSTRIAL LTD.

APPROVED BY	SCALE	UNIT	TOLERANCE	LTR	REVISION RECORD	NAME	DATE	LTR	REVISION RECORD	NAME
Tom Shih		mm	.0 ± 0.30	Δ	ECR200612-002	林文彬	2006/12/20	Δ		
CHECKED BY	PROJ	VER NO.	.00 ± 0.20	Δ	ECR200905-004	黃科源	2009/05/07	Δ		
Erin Chou	\oplus	a5	.000 ± 0.10	Δ	增加端子繞向圖	吳弘文	2014/10/23	Δ		
DRAWN BY	DATE	SIZE	ANGLE		修定物性表規格	吳弘文	2014/12/31	CUSTOMER		
Eddie	2023/02/22	A4	0 $^{\circ}$	$\pm 1^{\circ}$	修正尺寸	Eddie	2023/02/22			
			.0 $^{\circ}$	\pm				Conforms to The RoHS Instruction		
			SHEET	1/1						

PART NO JS-23158BS-2

$\phi 1.58$ mm Power Connectors Terminal

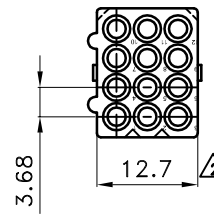
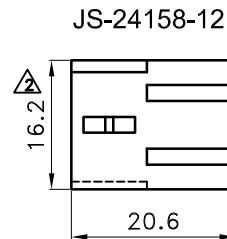
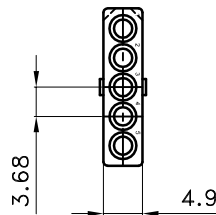
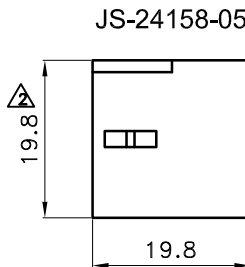
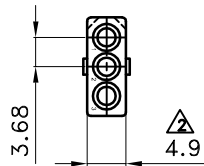
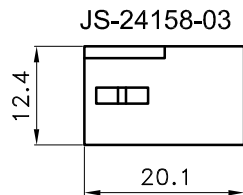
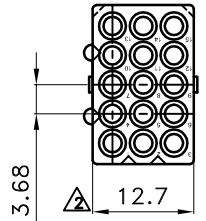
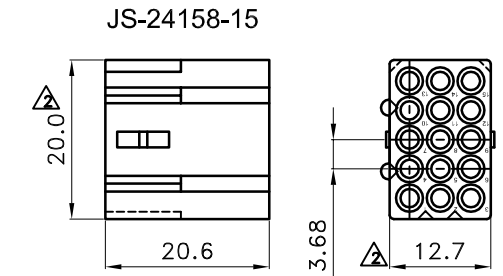
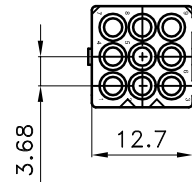
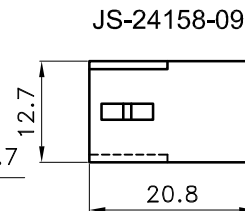
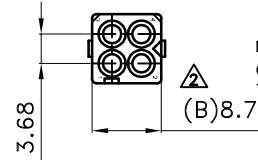
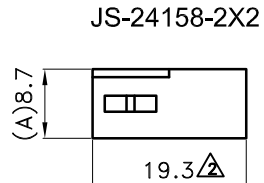
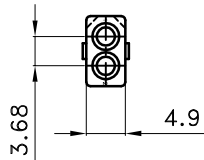
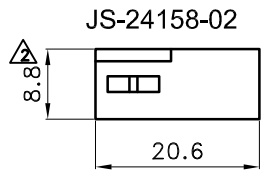


■ SPECIFICATIONS

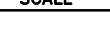
- Voltage Rating : 250 V AC/DC
- Current Rating : 5 A AC/DC
- Withstanding Voltage : 1,500V AC/minute
- Insulation Resistance : 1,000MΩ min
- Temperature Range : - 40°C to + 105°C

■ PLUG

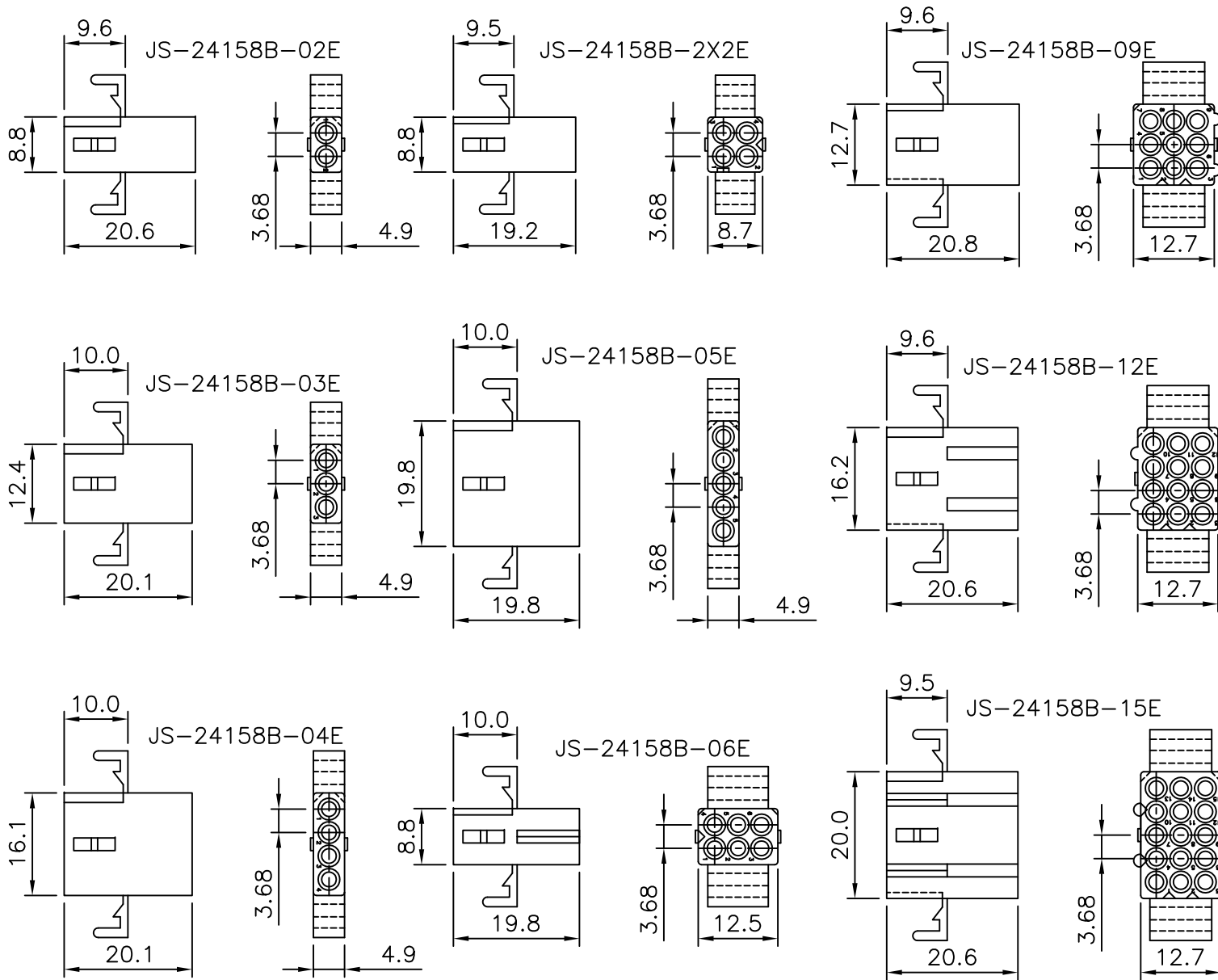
- Part No. : JS-24158-XX
- Poles : 1, 2, 3, 4, 5, 6, 9, 12, 15
- Material : Nylon 66 UL94V-2
- Q' ty : 1,000 pcs./Bag




 喬訊電子工業股份有限公司
 CHYAO SHIUNN
 ELECTRONIC INDUSTRIAL LTD.

APPROVED BY	SCALE	UNIT	TOLERANCE	LTR	REVISION RECORD	NAME	DATE	LTR	REVISION RECORD	NAME	DATE
張育瑞		mm	.0 ±0.30	1	RoHS Compliant	黃科源	07/01/05	8			
CHECKED BY	PROJ	VER NO.	.00 ±0.20	2	圖面尺寸修改	劉怡萱	11/06/07	9			
黃科源		a2	.000 ±0.10	3				10			
DRAWN BY	DATE	SIZE	ANGLE						CUSTOMER		
劉怡萱	2011/06/07	A4	0° ±1°	4					Conforms to The RoHS Instruction		
			.0° ±	5							
			SHEET	1/1	6						
				7							

PART NO JS-24158-XX
 ø1.58mm Power Connectors Plug



■ SPECIFICATIONS

- Voltage Rating : 250 V AC/DC
- Current Rating : 5 A AC/DC
- Withstanding Voltage : 1,500V AC/minute
- Insulation Resistance : 1,000MΩ min
- Temperature Range : - 40°C to + 105°C
- Contact Resistance : 20mΩ max

■ HOUSING

• Part No. : JS-24158B-XXE

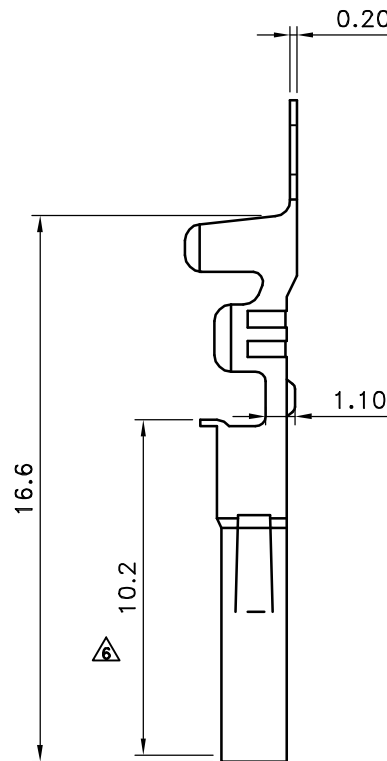
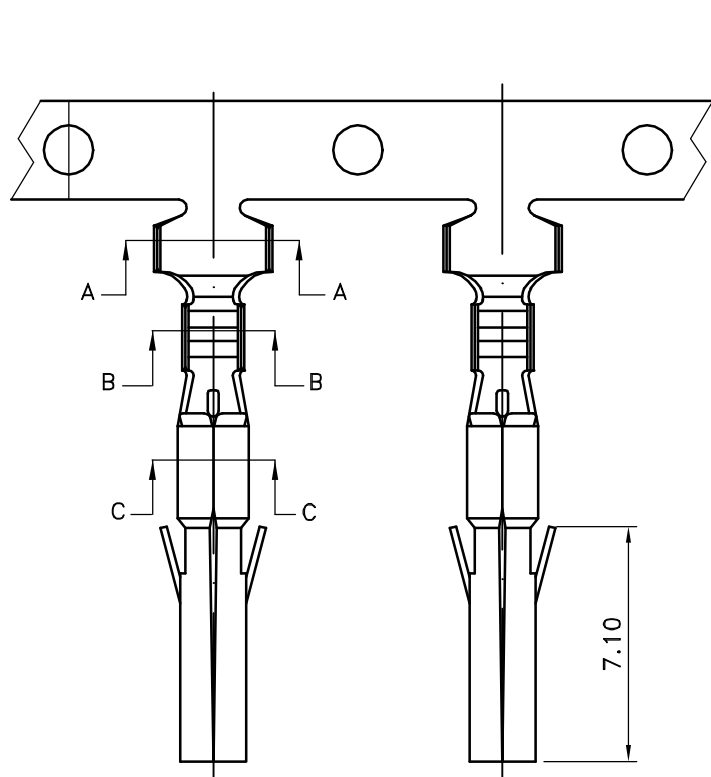
①

- ① Poles : 1, 2, 3, 4, 5, 6, 9, 12, 15
- Material : Nylon 66 UL94V-2
- Q' ty : 1,000 pcs./Bag



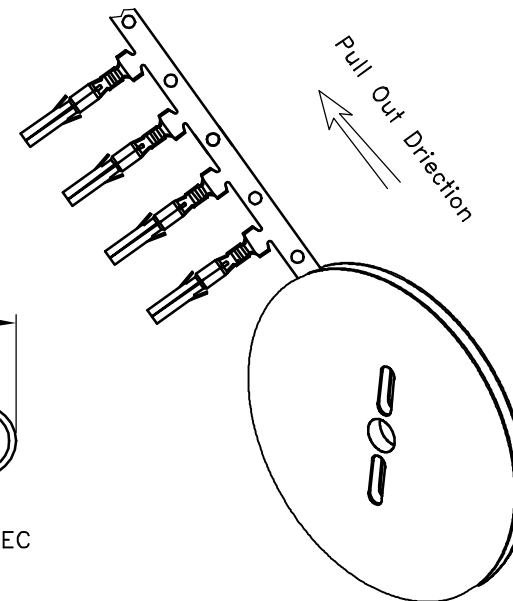
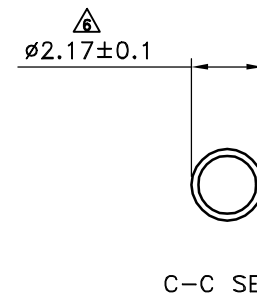
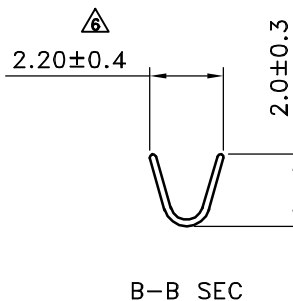
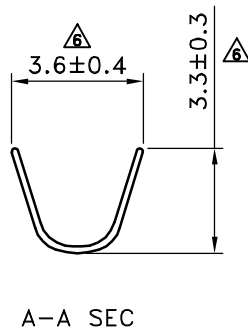
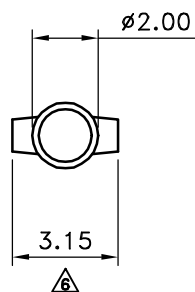
喬訊電子工業股份有限公司
CHYAO SHIUNN
ELECTRONIC INDUSTRIAL LTD.

APPROVED BY	SCALE	UNIT	TOLERANCE	LTR	REVISION RECORD	NAME	DATE	LTR	REVISION RECORD	NAME	DATE
張育瑞		mm	.0 ±0.30	△	刪除舊料號，更新圖框	吳弘文	2014/12/09	△			
CHECKED BY	PROJ	VER NO.	.00 ±0.20	△				△			
周慈雲		a1	.000 ±0.10	△				△			
DRAWN BY	DATE	SIZE	ANGLE	△				△			
吳弘文	2014/12/09	A4	0° ±1°	△				△			
			.0° ±	△				△			
			SHEET 1/1	△				△			
PART NO JS-24158B-XXE									CUSTOMER		
ø1.56mm Power Connectors Housing									Conforms to The RoHS Instruction		



- **SPECIFICATIONS**
- Voltage Rating : 250 V AC/DC
 - Current Rating : 6 A AC/DC
 - Withstanding Voltage : 1,500V AC/minute
 - Insulation Resistance : 1,000M Ω min
 - Temperature Range : - 25 $^{\circ}$ C to + 105 $^{\circ}$ C
 - Contact Resistance : 20m Ω max

- **TERMINAL**
- Part No. : JS-24158BS-2
 - Applicable Wires : AWG # 18 - 24
 - Material : Brass
 - Finish : Tin Plated
 - Thickness : 0.2 mm
 - Q' ty : 7,000 pcs./Reel



喬訊電子工業股份有限公司
CHYAO SHIUNN
ELECTRONIC INDUSTRIAL LTD.

APPROVED BY	SCALE	UNIT	TOLERANCE	LTR	REVISION RECORD	NAME	DATE	LTR	REVISION RECORD	NAME	DATE
Tom Shih		mm	.0 ±0.30	▲	ECR 200609-002	陳文裕	2006/09/15	▲			
CHECKED BY	PROJ	VER NO.	.00 ±0.20	▲	ECR 200612-002	林文彬	2006/12/20	▲			
Erin Chou		a6	.000 ±0.10	▲	ECR 200905-004	黃科源	2009/05/07	▲			
DRAWN BY	DATE	SIZE	ANGLE		增加端子捲繞方向圖		吳弘文	2014/10/23	CUSTOMER		
Eddie	2023/02/22	A4	0°	±1°	▲	修正規格	吳弘文	2014/12/31			
			.0°	±	▲	修正尺寸	Eddie	2023/02/22			
SHEET			1/1	▲	Conforms to The RoHS Instruction						

PART NO JS-24158BS-2
ø1.58mm Power Connectors Terminal