

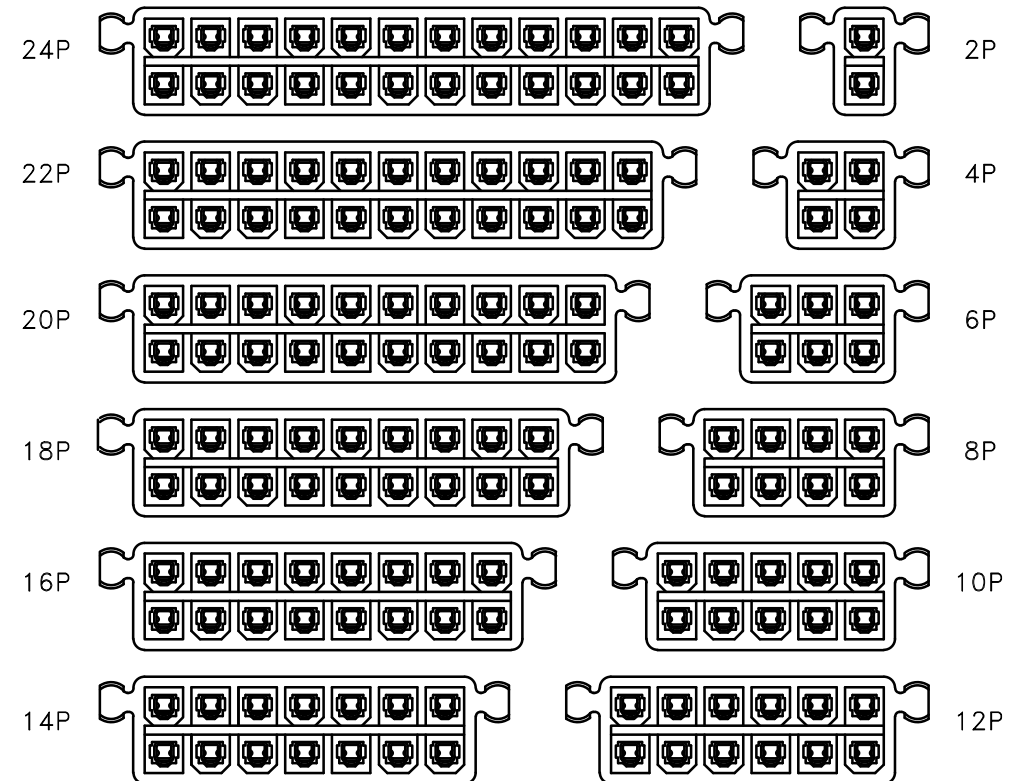
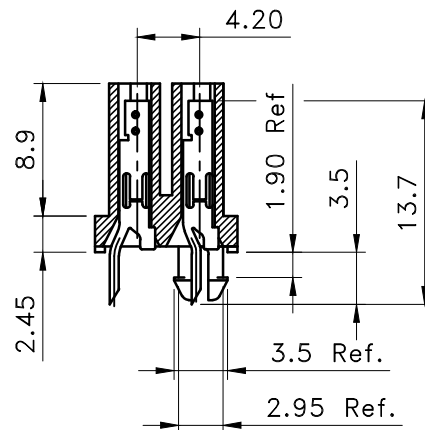
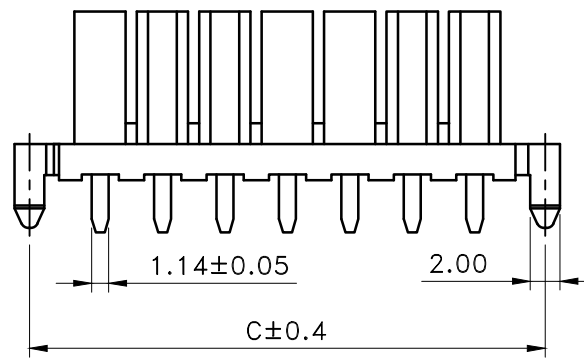
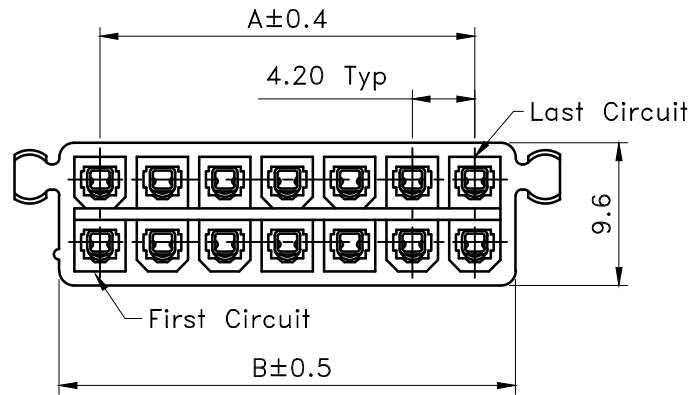
Poles	Part No.	Dimensions(mm)		
		A	B	C
2	JS-1149IB-02	—	5.40	9.40
4	JS-1149IB-04	4.20	9.60	13.60
6	JS-1149IB-06	8.40	13.80	17.80
8	JS-1149IB-08	12.60	18.00	22.00
10	JS-1149IB-10	16.80	22.20	26.20
12	JS-1149IB-12	21.00	26.40	30.40
14	JS-1149IB-14	25.20	30.60	34.60
16	JS-1149IB-16	29.40	34.80	38.80
18	JS-1149IB-18	33.60	39.00	43.00
20	JS-1149IB-20	37.80	43.20	47.20
22	JS-1149IB-22	42.00	47.40	51.40
24	JS-1149IB-24	46.20	51.60	55.60

■ SPECIFICATIONS

- Voltage Rating : 600 V AC
- Current Rating : 9A Max
- Withstanding Voltage : 1,500V AC/minute
- Insulation Resistance : 1,000M Ω min
- Temperature Range : - 40°C to + 105°C
- Contact Resistance : 20m Ω max

■ RECEPTACLE WAFER

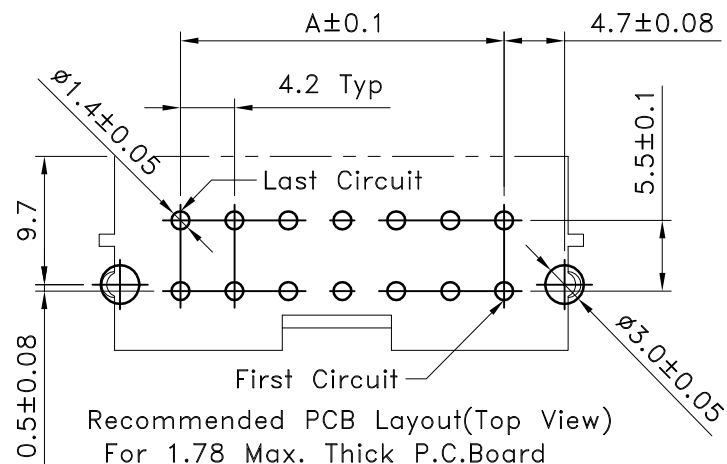
- Part No. : JS-1149IB - XX
- Poles : 2~24(BMI Type)
- Material : Contact : Brass , Tin Plated
Base : Nylon 66 UL94V-0 ; Color : White
- Q'ty : 1,000 pcs./Bag



CHYAO SHIUNN ELECTRONIC INDUSTRIAL LTD.

APPROVED BY	SCALE	UNIT	TOLERANCE	LTR	REVISION RECORD	NAME	DATE	LTR	REVISION RECORD	NAME	DATE
張育瑞		mm	.0 ±0.30	▲	RoHS Compliant	黃科源	2007/01/05	▲			
CHECKED BY	PROJ	VER NO.	.00 ±0.20	▲	200902-003	黃科源	2008/11/26	▲			
簡鴻彬		a4	.000 ±0.10	▲	200904-004	黃科源	2008/12/11	▲			
DRAWN BY	DATE	SIZE	ANGLE	▲	依ECR-00000160修改產品敘述	李柏昇	2016/08/03	▲	CUSTOMER		
李柏昇	2016/08/03	A4	0° ±1°	▲				▲	Conforms to The RoHS Instruction		
			0° ±	▲				▲			
			SHEET 1/1	▲				▲			

PART NO JS-1149IB-XX
4.20mm D/R Power Connectors Receptacle Wafer(BMI Type)



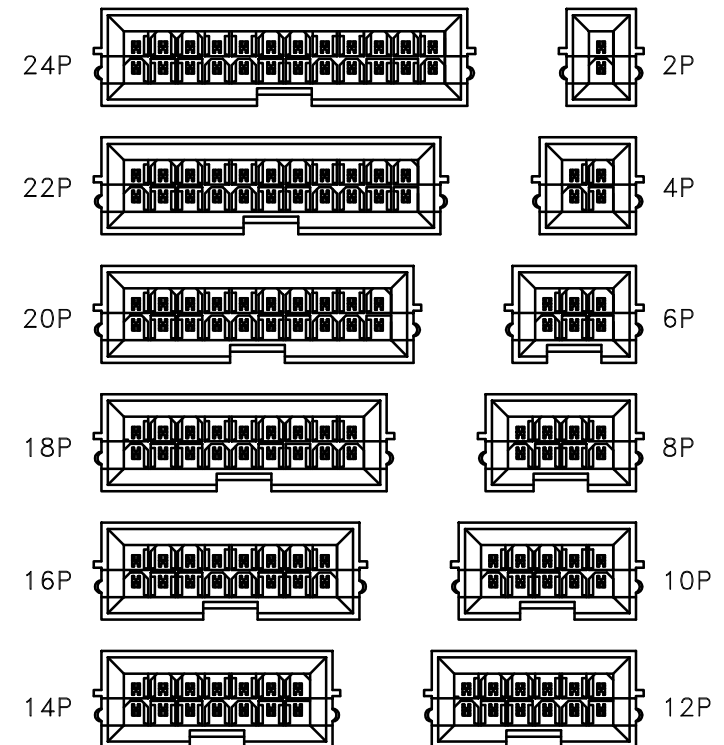
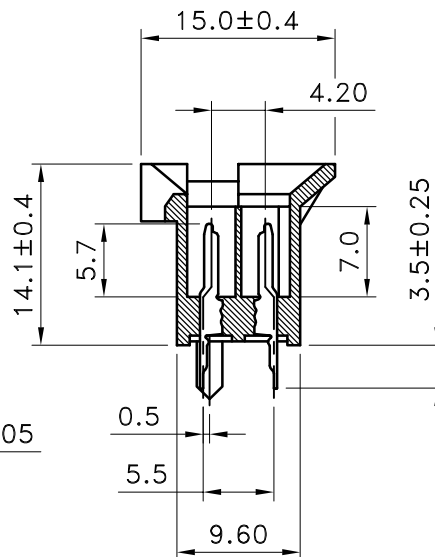
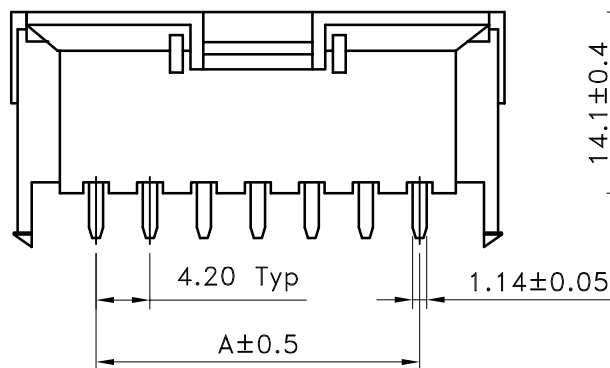
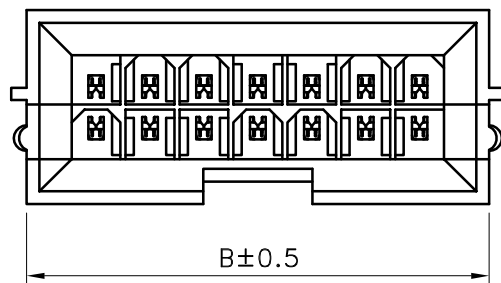
Poles	Part No.	Dimensions (mm)	
		A	B
2	JS-1151I-02	—	11.00
4	JS-1151I-04	4.20	15.20
6	JS-1151I-06	8.40	19.40
8	JS-1151I-08	12.60	23.60
10	JS-1151I-10	16.80	27.80
12	JS-1151I-12	21.00	32.00
14	JS-1151I-14	25.20	36.20
16	JS-1151I-16	29.40	40.60
18	JS-1151I-18	33.60	44.60
20	JS-1151I-20	37.80	49.00
22	JS-1151I-22	42.00	53.20
24	JS-1151I-24	46.20	57.20

■ SPECIFICATIONS

- Voltage Rating : 600 V AC
- Current Rating : 9A Max
- Withstanding Voltage : 1,500V AC/minute
- Insulation Resistance : 1,000MΩ min
- Temperature Range : - 40°C to + 105°C
- Contact Resistance : 20mΩ max

■ WAFER

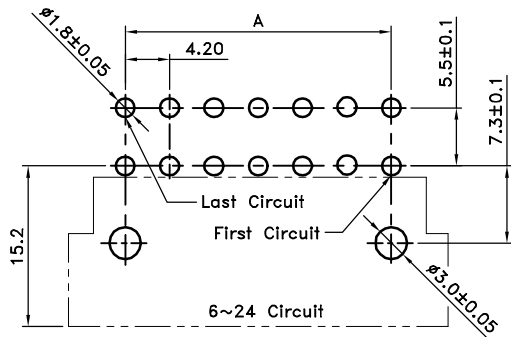
- Part No. : JS-1151I-XX
- Poles : 2~24 (BMI Type)
- Material : Contact : Brass, Tin Plated
Base : Nylon 66 UL94V-0 ; Color : White
- Q' ty : 1,000 pcs./Bag



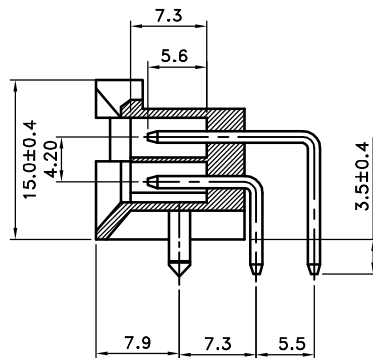
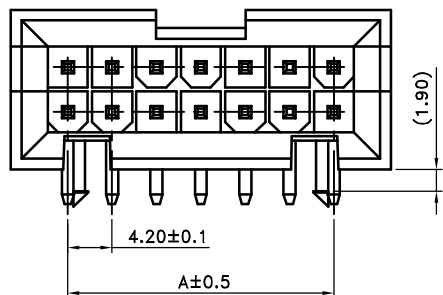
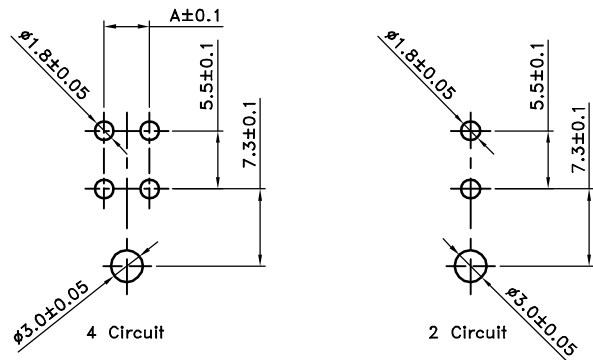
喬訊電子工業股份有限公司
CHYAO SHIUNN
ELECTRONIC INDUSTRIAL LTD.

APPROVED BY	SCALE	UNIT	TOLERANCE	LTR	REVISION RECORD	NAME	DATE	LTR	REVISION RECORD	NAME	DATE
張育瑞		mm	.0 ±0.30	▲	RoHS Compliant	黃科源	2007/01/05	▲			
CHECKED BY	PROJ	VER NO.	.00 ±0.20	▲	200812-011	黃科源	2008/12/11	▲			
簡鴻彬		a3	.000 ±0.10	▲	200904-004	黃科源	2009/04/13	▲			
DRAWN BY	DATE	SIZE	ANGLE	▲	依 ECR-00000160 修改產品敘述	李柏昇	2016/08/03	▲	CUSTOMER		
李柏昇	2016/08/03	A4	0° ±1°	▲				▲	Conforms to The RoHS Instruction		
			.0° ±	▲				▲			
			SHEET 1/1	▲				▲			

PART NO JS-1151I-XX
4.20mm D/R Power Connectors Wafer (BMI Type)



Recommended PCB Layout(Top View)
For 1.78 Max.Thick P.C.Board



- SPECIFICATIONS
- Current Rating : 9A Max
 - Withstanding Voltage : 1,500V AC/minute
 - Insulation Resistance : 1,000M Ω min
 - Temperature Range : - 40°C to + 105°C
 - Contact Resistance : 20m Ω max

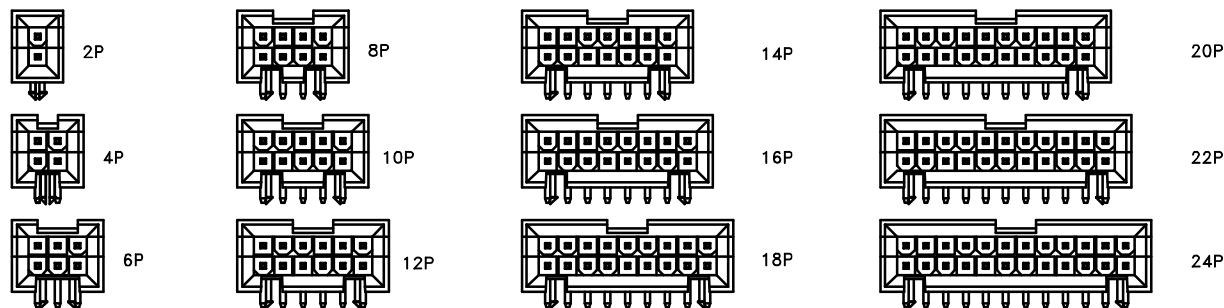
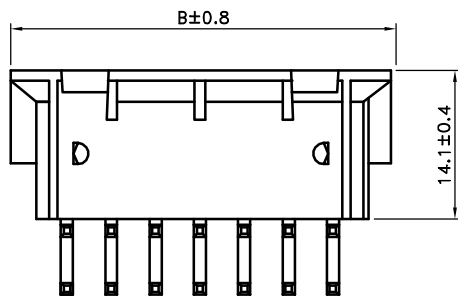
■ WAFER
 ⚠ Part No. : JS-1153I - XX(XX)XX
 ① ② ③

① Poles : 2~24(BMI Type)
 ② Plated: Blank: Tin Plated
 G0: Gold Plated

⚠ ③ Base Color: Blank:White
 BK:Black

- Material : Contact : Brass
 Base : Nylon 66 UL94V-0
- Q' ty : 1,000 pcs./Bag

Poles	Dimensions(mm)	
	A	B
02	—	11.00
04	4.20	15.20
06	8.40	19.40
08	12.60	23.60
10	16.80	27.80
12	21.00	32.00
14	25.20	36.20
16	29.40	40.60
18	33.60	44.60
20	37.80	49.00
22	42.00	53.20
24	46.20	57.20



喬訊電子工業股份有限公司
 CHYAO SHIUNN
 ELECTRONIC INDUSTRIAL LTD.

APPROVED BY	SCALE	UNIT	TOLERANCE	LTR	REVISION RECORD	NAME	DATE	LTR	REVISION RECORD	NAME	DATE
Tom Shih		mm	.0 ±0.30	⚠	RoHS Compliant		070105	⚠			
CHECKED BY	PROJ	VER NO.	.00 ±0.20	⚠	200812-011		081211	⚠			
Erin Chou		a5	.000 ±0.10	⚠	200904-004		090413	⚠			
DRAWN BY	DATE	SIZE	ANGLE	⚠	公差更改		090413		CUSTOMER		
Tom Lee	2018/03/15	A4	0° ±1°	⚠	增加G0電鍍規格	黃廣珍	130118				
			.0° ±	⚠	增加膠殼黑色選項	Tom Lee	180315		Conforms to The RoHS Instruction		
			SHEET 1/1	⚠							

PART NO JS-1153I-XX
 4.20mm Crimp Style Connectors