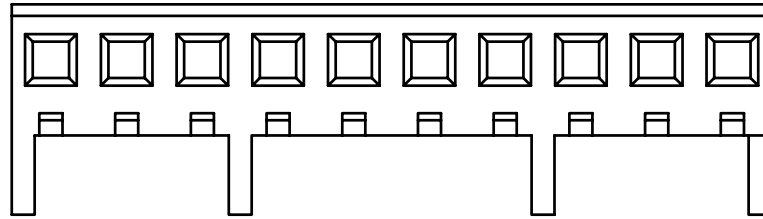
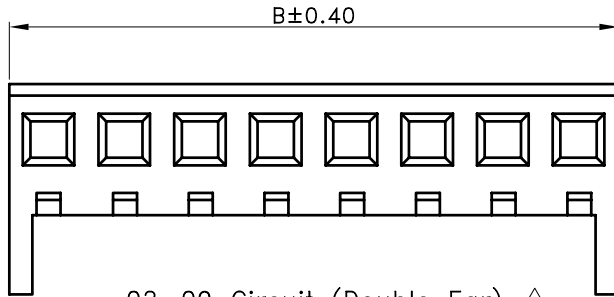


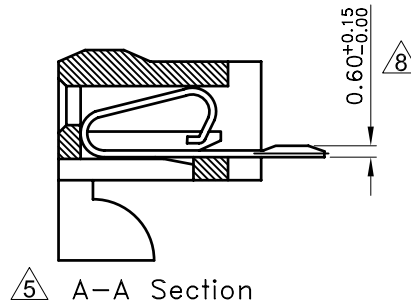
Recommended PCB Layout



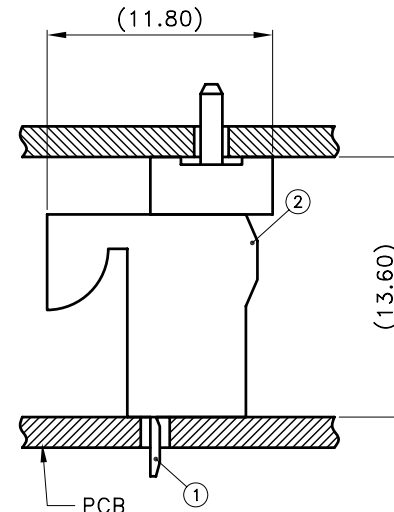
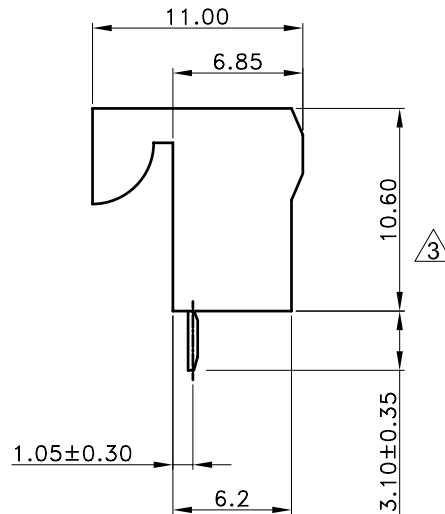
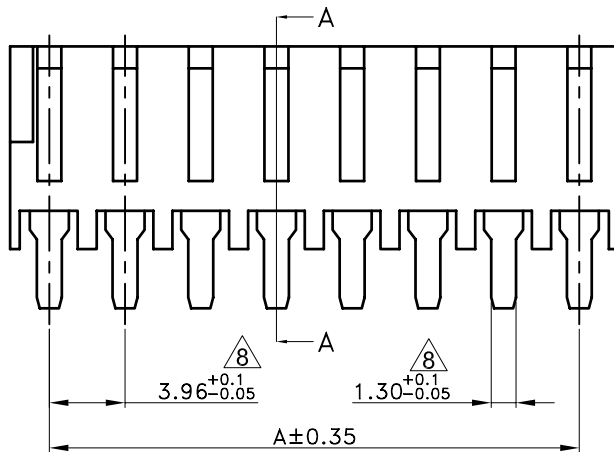
10~16 Circuit(Four Ear) $\triangle 4$



02~09 Circuit (Double Ear) $\triangle 4$



$\triangle 5$ A-A Section



ASSEMBLED ALL PRODUCT ON PCB

■ SPECIFICATIONS

- Current Rating : 5A AC/DC
- Withstanding Voltage : 1,500V AC/minute
- Insulation Resistance : 1,000M Ω min.
- Temperature Range : -40 $^{\circ}$ C to +105 $^{\circ}$ C
- Contact Resistance : 20 m Ω max.

■ WAFER

- Part No. : JS-5017A-XXS $\triangle 2$
- Poles : 02~09 (Double Ear) ; 10~16 (Four Ear)
- Material :
 - $\triangle 6$ 1. Contact : Brass, Tin Plated
 - 2. Base : Nylon66 UL94V-2
- Mated with :
 - 1. Straight Type Wafer : JS-4003-XX
 - 2. Right-Angle Type Wafer : JS-4003R-XX
- Q' ty : 1,000 Pcs/Tube Packing

Poles	Dimensions(mm)	
	A	B
2	3.96	8.06
3	7.92	12.02
4	11.88	15.98
5	15.84	19.94
6	19.80	23.90
7	23.76	27.86
8	27.72	31.82
9	31.68	35.78
10	35.64	39.74
11	39.60	43.70
12	43.56	47.66
13	47.52	51.62
14	51.48	55.58
15	55.44	59.54
16	59.40	63.50



喬訊電子工業股份有限公司

CHYAO SHIUNN
ELECTRONIC INDUSTRIAL LTD.

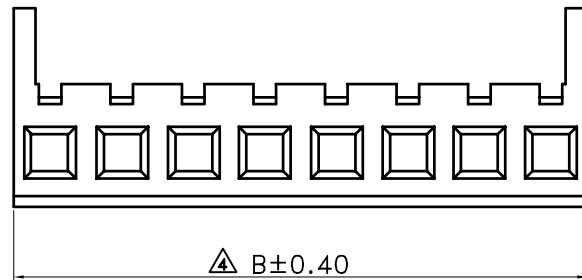
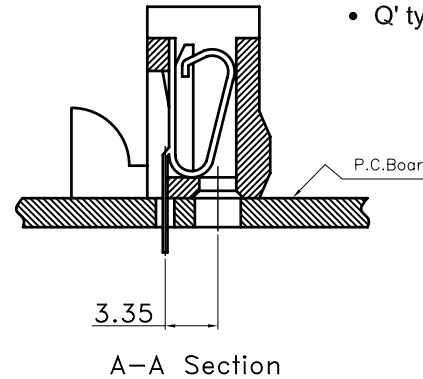
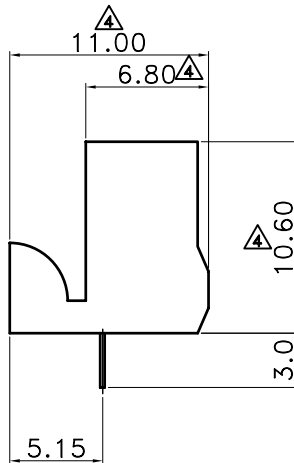
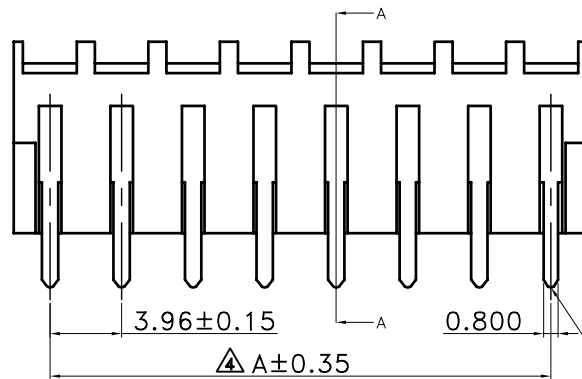
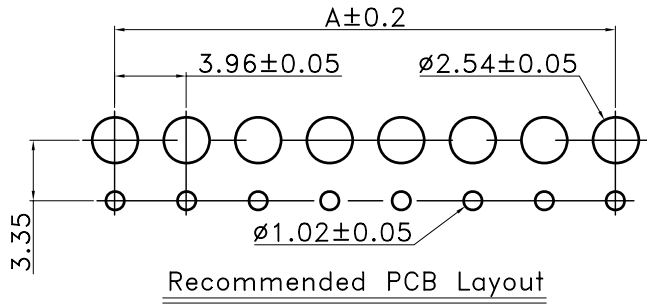
PART NO JS-5017A-XXS

3.96mm Board to Board Power Connector, Right-Angle

APPROVED BY	SCALE	UNIT	TOLERANCE	LTR	REVISION RECORD	NAME	DATE	LTR	REVISION RECORD	NAME	DATE
張育瑞		mm	.0 ±0.30	$\triangle 1$	圖面廢止	余秀麗	2005/05/15	$\triangle 1$	修改部分尺寸公差	張逸維	2013/05/14
CHECKED BY	PROJ	VER NO.	.00 ±0.20	$\triangle 2$	增加剖面示意圖以及修改SPEC	黃科源	2008/03/19	$\triangle 2$			
黃科源		a8	.000 ±0.10	$\triangle 3$	DIP長度從13.9mm修改為13.7mm	王誠賢	2010/05/14	$\triangle 3$			
DRAWN BY	DATE	SIZE	ANGLE		修改雙耳與四耳選擇P數	王誠賢	2011/05/24	$\triangle 4$			
張逸維	2013/05/14	A4	0 $^{\circ}$	$\pm 1^{\circ}$	修改PIN針寬度公差	張逸維	2012/11/29	$\triangle 5$			
			.0 $^{\circ}$	\pm	刪除 Contact GOLD FLASH	張逸維	2012/12/06	$\triangle 6$			
			SHEET	1/1	修改pitch&Layout孔&Pin針公差	張逸維	2013/04/16	$\triangle 7$			

CUSTOMER

Conforms to The RoHS Instruction



■ SPECIFICATIONS

- Voltage Rating : 250 V AC/DC
- Current Rating : 5A AC/DC
- Withstanding Voltage : 1,500V AC/minute
- Insulation Resistance : 1,000MΩ min
- Temperature Range : - 40°C to + 105°C
- Contact Resistance : 20mΩ max

■ WAFER

- Part No. : JS-5018A-XXDR
- Poles : 2 - 16
- Material : Contact : Brass, Tin Plated
Base : Nylon 66 UL94V-2
- Q' ty : 1,000 pcs./Bag

Poles	Dimensions(mm)	
	A	B
2	3.96	8.06
3	7.92	12.02
4	11.88	15.98
5	15.84	19.94
6	19.80	23.90
7	23.76	27.86
8	27.72	31.82
9	31.68	35.78
10	35.64	39.74
11	39.60	43.70
12	43.56	47.66
13	47.52	51.62
14	51.48	55.58
15	55.44	59.54
16	59.40	63.50



喬訊電子工業股份有限公司
CHYAO SHIUNN
ELECTRONIC INDUSTRIAL LTD.

PART NO JS-5018A-XXDR
3.96mm Bottom Entry Type Wafer

APPROVED BY	SCALE	UNIT	TOLERANCE	LTR	REVISION RECORD	NAME	DATE	LTR	REVISION RECORD	NAME	DATE
張育瑞		mm	.0 ±0.30	△	200502-001	XXX	2005/02/04	△			
CHECKED BY	PROJ	VER NO.	.00 ±0.20	△	RoHS Compliant	xxx	2006/04/01	△			
黃科源		a4	.000 ±0.10	△	200803-019	黃科源	2008/03/19	△			
張逸維	2012/11/29	A4	ANGLE	△	標示PIN寬度, 修改部分尺寸公差, 圖面套用新格式	張逸維	2012/11/29	△			
			0° ±1°	△							
			.0° ±	△							
			SHEET 1/1	△							

CUSTOMER
Conforms to The RoHS Instruction