

■ SPECIFICATIONS

- ⑤ Voltage Rating : 125V AC/DC
- Current Rating : 2A AC/DC
- Withstanding Voltage : 500V AC/minute
- ③ Insulation Resistance : 1000MΩ min
- Temperature Range : Nylon 6T -40°C to +105°C
- Contact Resistance : 20mΩ max

■ FEMALE HEADER

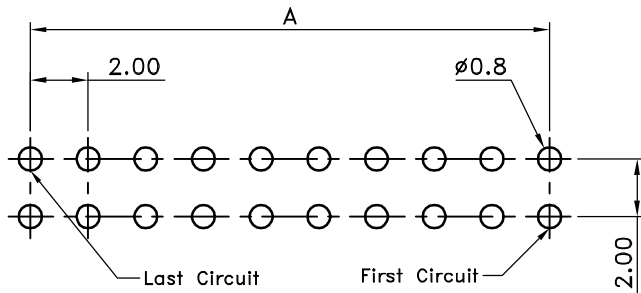
- Part No. : JS-1192SD1G-XX
- Poles : 2-40(Right Angle , Single Row)
- Material : 1.Contact : Phos. Bronze, Gold Plated
2.Base : Nylon 6T UL94V-0
- Q' ty : 1,000 pcs./PVC Box

Poles	Dimension(mm)		Poles	Dimension(mm)	
	A	B		A	B
2	2.00	4.50	22	42.00	44.50
3	4.00	6.50	23	44.00	46.50
4	6.00	8.50	24	46.00	48.50
5	8.00	10.50	25	48.00	50.50
6	10.00	12.50	26	50.00	52.50
7	12.00	14.50	27	52.00	54.50
8	14.00	16.50	28	54.00	56.50
9	16.00	18.50	29	56.00	58.50
10	18.00	20.50	30	58.00	60.50
11	20.00	22.50	31	60.00	62.50
12	22.00	24.50	32	62.00	64.50
13	24.00	26.50	33	64.00	66.50
14	26.00	28.50	34	66.00	68.50
15	28.00	30.50	35	68.00	70.50
16	30.00	32.50	36	70.00	72.50
17	32.00	34.50	37	72.00	74.50
18	34.00	36.50	38	74.00	76.50
19	36.00	38.50	39	76.00	78.50
20	38.00	40.50	40	78.00	80.50
21	40.00	42.50			

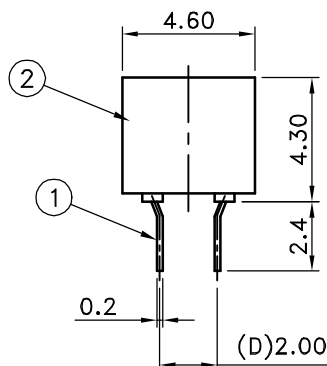
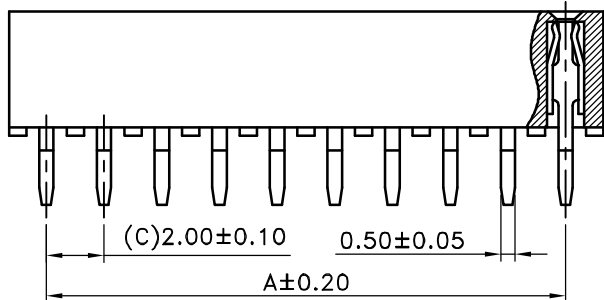
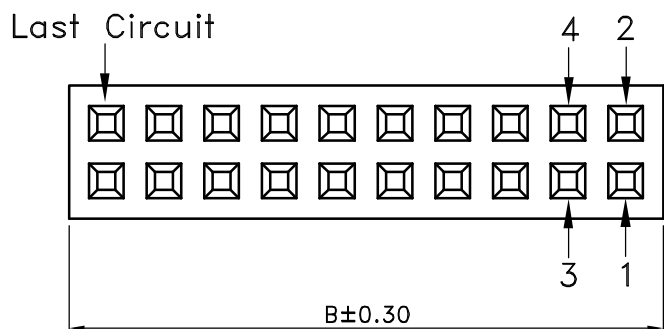
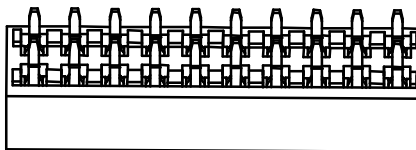
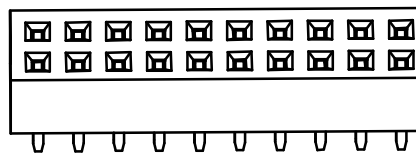

 喬訊電子工業股份有限公司
CHYAO SHIUNN
ELECTRONIC INDUSTRIAL LTD.

APPROVED BY	SCALE	UNIT	TOLERANCE	LTR	REVISION RECORD	NAME	DATE	LTR	REVISION RECORD	NAME	DATE
張育瑞		mm	.0 ±0.30	△	xxxx	余秀麗	05/05/15	△			
CHECKED BY	PROJ	VER NO.	.00 ±0.20	△	200812-008	林 暉	08/12/08	△			
黃科源		a5	.000 ±0.10	△	201005-004	王誠賢	10/05/07	△			
DRAWN BY	DATE	SIZE	ANGLE		修改 最大絕緣阻抗值	吳沛倫	10/11/11	CUSTOMER			
張逸維	2012/08/01	A4	0° ±1°	△	修改額定電流，增加額定電壓	張逸維	12/08/01				
			.0° ±	△					Conforms to The RoHS Instruction		
			SHEET 1/1	△							

PART NO JS-1192SD1G-XX
2.00mm Board to Board Connector Female Header Single Row Straight Type



△ Recommended PCB Layout
General Tolerance ±0.05



■ SPECIFICATIONS

- △5 Voltage Rating : 125V AC/DC
- △5 Current Rating : 2A AC/DC
- △6 Withstanding Voltage : 1000V AC/minute
- Insulation Resistance : 1000MΩ min
- Temperature Range : Nylon 6T - 40°C to + 105°C
- Contact Resistance : 20mΩ max

■ FEMALE HEADER

- Part No. : JS-1193SD1X-XX

- △7 ① Contact Plating : G : Gold Plating
T : Tin Plating
- △8 ② Poles : 4-80(Straight , Double Row)
- Material : 1.Contact : Phos. Bronze
2.Base : Nylon 6T UL94V-0
- Q' ty : 1,000 pcs./PVC Box

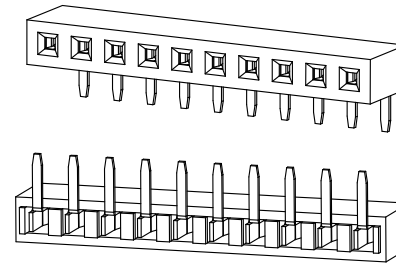
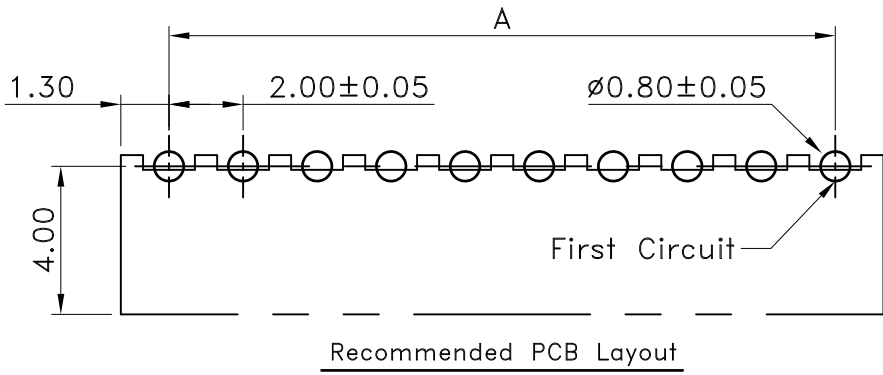
Poles	Dimension(mm)		Poles	Dimension(mm)	
	A	B		A	B
2x2	2.00	4.50	22x2	42.00	44.50
3x2	4.00	6.50	23x2	44.00	46.50
4x2	6.00	8.50	24x2	46.00	48.50
5x2	8.00	10.50	25x2	48.00	50.50
6x2	10.00	12.50	26x2	50.00	52.50
7x2	12.00	14.50	27x2	52.00	54.50
8x2	14.00	16.50	28x2	54.00	56.50
9x2	16.00	18.50	29x2	56.00	58.50
10x2	18.00	20.50	30x2	58.00	60.50
11x2	20.00	22.50	31x2	60.00	62.50
12x2	22.00	24.50	32x2	62.00	64.50
13x2	24.00	26.50	33x2	64.00	66.50
14x2	26.00	28.50	34x2	66.00	68.50
15x2	28.00	30.50	35x2	68.00	70.50
16x2	30.00	32.50	36x2	70.00	72.50
17x2	32.00	34.50	37x2	72.00	74.50
18x2	34.00	36.50	38x2	74.00	76.50
19x2	36.00	38.50	39x2	76.00	78.50
20x2	38.00	40.50	40x2	78.00	80.50
21x2	40.00	42.50			



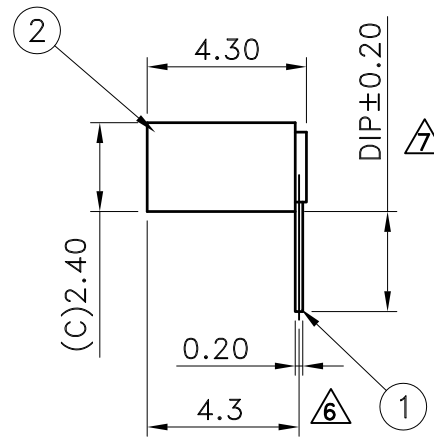
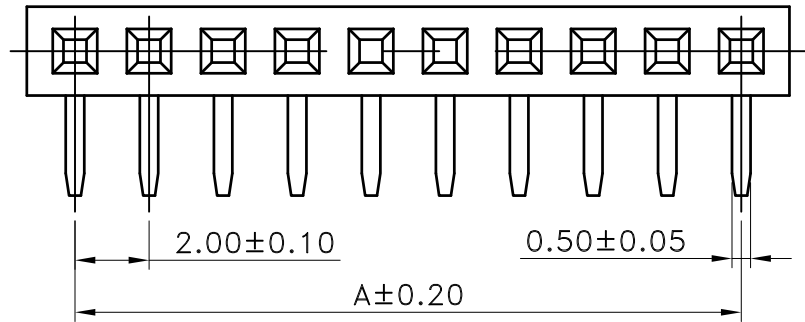
喬訊電子工業股份有限公司
CHYAO SHIUNN
ELECTRONIC INDUSTRIAL LTD.

APPROVED BY	SCALE	UNIT	TOLERANCE	LTR	REVISION RECORD	NAME	DATE	LTR	REVISION RECORD	NAME	DATE
Tom Shih		mm	.0 ±0.30	△	XXXX	余秀麗	05/05/15	△	編碼有誤修正	林宛盈	17/02/10
CHECKED BY	PROJ	VER NO.	.00 ±0.20	△	ECR 200812-008	王誠賢	08/12/08	△	更新圖示	Eddie	23/11/03
Erin Chou		a9	.000 ±0.10	△	ECR 201005-004	王誠賢	10/05/14	△			
DRAWN BY	DATE	SIZE	ANGLE		修改 絕緣阻抗最大值	吳沖倫	10/11/18		CUSTOMER		
Eddie	2023/10/03	A4	0° ±1°	△	修改額定電流、增加額定電壓	張逸維	12/08/03				
			.0° ±	△	增加pin define標示	吳弘文	13/10/16		Conforms to The RoHS Instruction		
			SHEET 1/1	△	增加電鍍選項	林宛盈	17/01/16				

PART NO JS-1193SD1X-XX
2.00mm Board to Board Connector Female Header Double Row Straight Type



3D VIEW



■ SPECIFICATIONS

- Voltage Rating : 125V AC/DC Δ_5
- Current Rating : 2A AC/DC
- Withstanding Voltage : 500V AC/minute
- Insulation Resistance : 1000M Ω min Δ_3
- Temperature Range : Nylon 6T -40 $^{\circ}$ C to +105 $^{\circ}$ C
- Contact Resistance : 20m Ω max

■ FEMALE HEADER

- Part No. : JS-1192RD1G-XX X Δ_1 Δ_2

① Poles : 2-40(Right Angle , Single Row)

② DIP Length: Blank : 2.4mm
D : 2.7mm Δ_7

- Material : 1.Contact : Phos. Bronze, Gold Plated
2.Base : Nylon 6T UL94V-0
- Q' ty : 1,000 pcs./PVC Box

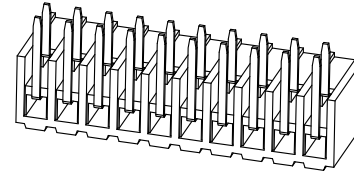
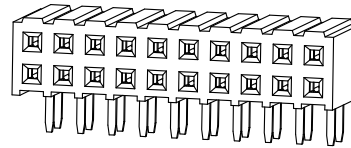
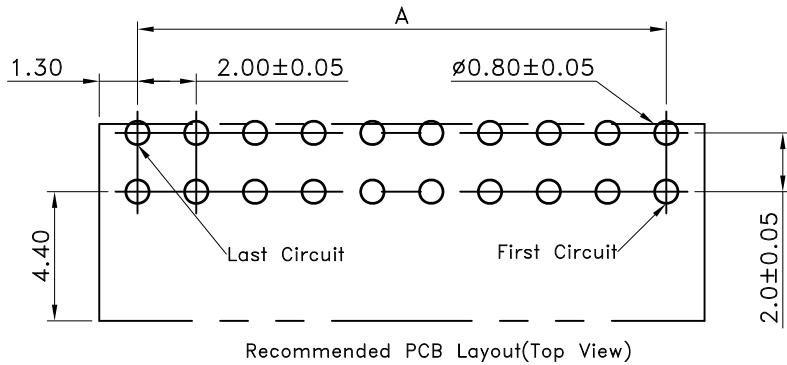
Poles	Dimension(mm)		Poles	Dimension(mm)	
	A	B		A	B
2	2.00	4.50	22	42.00	44.50
3	4.00	6.50	23	44.00	46.50
4	6.00	8.50	24	46.00	48.50
5	8.00	10.50	25	48.00	50.50
6	10.00	12.50	26	50.00	52.50
7	12.00	14.50	27	52.00	54.50
8	14.00	16.50	28	54.00	56.50
9	16.00	18.50	29	56.00	58.50
10	18.00	20.50	30	58.00	60.50
11	20.00	22.50	31	60.00	62.50
12	22.00	24.50	32	62.00	64.50
13	24.00	26.50	33	64.00	66.50
14	26.00	28.50	34	66.00	68.50
15	28.00	30.50	35	68.00	70.50
16	30.00	32.50	36	70.00	72.50
17	32.00	34.50	37	72.00	74.50
18	34.00	36.50	38	74.00	76.50
19	36.00	38.50	39	76.00	78.50
20	38.00	40.50	40	78.00	80.50
21	40.00	42.50			

 喬訊電子工業股份有限公司
CHYAO SHIUNN
ELECTRONIC INDUSTRIAL LTD.

PART NO JS-1192RD1G-XXX

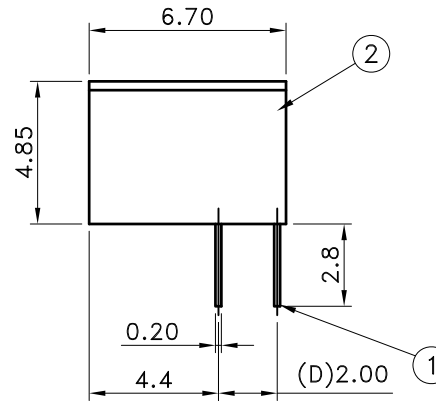
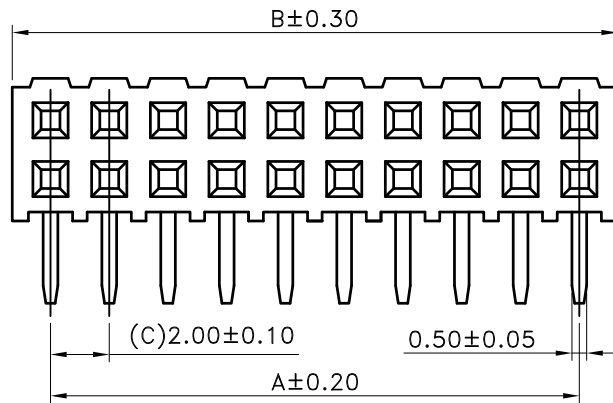
2.00mm Board to Board Connector Female Header Single Row Right Angle Type

APPROVED BY	SCALE	UNIT	TOLERANCE	LTR	REVISION RECORD	NAME	DATE	LTR	REVISION RECORD	NAME	DATE
Tom Shih		mm	.0 ±0.30	Δ_1	xxxx	余秀麗	05/05/15	Δ_1			
CHECKED BY	PROJ	VER NO.	.00 ±0.20	Δ_1	200812-008	林 暉	08/12/08	Δ_1			
張育瑞		a7	.000 ±0.10	Δ_1	201005-004	王誠賢	10/05/07	Δ_1			
DRAWN BY	DATE	SIZE	ANGLE			吳沛倫	10/11/11		CUSTOMER		
劉 娜	2020/08/07	A4	0° ±1°	Δ_5	修改 最大絕緣阻抗值	張逸維	12/08/01		Conforms to The RoHS Instruction		
			0° ±	Δ_6	修改額定電流，增加額定電壓	劉 娜	20/08/05				
			SHEET	1/1	Δ_1	新增DIP腳規格選項	劉 娜	20/08/07			

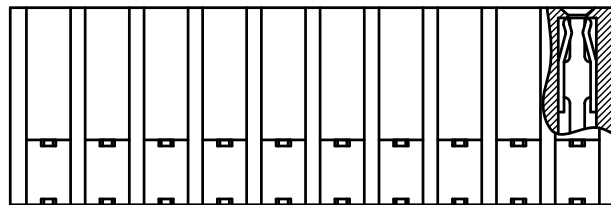


- SPECIFICATIONS
- 5 Voltage Rating : 125V AC/DC
 - Current Rating : 2A AC/DC
 - Withstanding Voltage : 500V AC/minute
 - 3 Insulation Resistance : 1000MΩ min
 - Temperature Range : Nylon 6T -40°C to +105°C
 - Contact Resistance : 20mΩ max

- FEMALE HEADER
- Part No. : JS-1193RD1G-XX
 - Poles : 4-80(Right Angle , Double Row)
 - Material :1.Contact : Phos. Bronze, Gold Plated
2.Base : Nylon UL94V-0
 - Q' ty : 1,000 pcs./PVC Box



Poles	Dimension(mm)		Poles	Dimension(mm)	
	A	B		A	B
4	2.00	4.50	44	42.00	44.50
6	4.00	6.50	46	44.00	46.50
8	6.00	8.50	48	46.00	48.50
10	8.00	10.50	50	48.00	50.50
12	10.00	12.50	52	50.00	52.50
14	12.00	14.50	54	52.00	54.50
16	14.00	16.50	56	54.00	56.50
18	16.00	18.50	58	56.00	58.50
20	18.00	20.50	60	58.00	60.50
22	20.00	22.50	62	60.00	62.50
24	22.00	24.50	64	62.00	64.50
26	24.00	26.50	66	64.00	66.50
28	26.00	28.50	68	66.00	68.50
30	28.00	30.50	70	68.00	70.50
32	30.00	32.50	72	70.00	72.50
34	32.00	34.50	74	72.00	74.50
36	34.00	36.50	76	74.00	76.50
38	36.00	38.50	78	76.00	78.50
40	38.00	40.50	80	78.00	80.50
42	40.00	42.50			



喬訊電子工業股份有限公司
CHYAO SHIUNN
ELECTRONIC INDUSTRIAL LTD.

PART NO JS-1193RD1G-XX

2.00mm Board to Board Connector Female Header Double Row Right Angle Type

APPROVED BY	SCALE	UNIT	TOLERANCE	LTR	REVISION RECORD	NAME	DATE	LTR	REVISION RECORD	NAME	DATE
張育瑞		mm	.0 ±0.30	△	xxxx	邱森鴻	05/05/15	△			
CHECKED BY	PROJ	VER NO.	.00 ±0.20	△	ECR 200812-008	王誠賢	10/04/28	△			
黃科源	⊕	a5	.000 ±0.10	△	ECR 201005-004	王誠賢	10/05/07	△			
DRAWN BY	DATE	SIZE	ANGLE	△	修改 絕緣阻抗最大值	吳沛倫	10/11/11		CUSTOMER		
張逸維	2012/08/01	A4	0° ±1°	△	修改額定電流，增加額定電壓	張逸維	12/08/01		Conforms to The RoHS Instruction		
			.0° ±	△							
			SHEET 1/1	△							