

A4

REV.	ECN.NO	REVISIONS	REV.DRAWN	DATE
E	----	增列电气规格	sunquan	2014/02/08
F	4M-14014	增加盖子定位槽及变更材质为LCP	Zuochao	2014/12/04
G	----	10pin规格增加倒角方位标识	YangSong	2015/04/29
H	4M-15009	增加倒角C0.7	sunquan	2015/08/13

**SPECIFICATIONS**

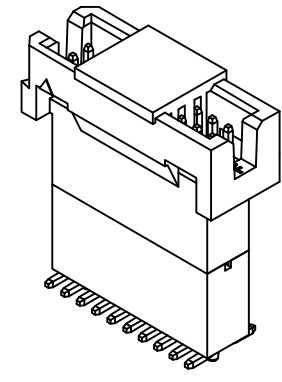
- Current Rating : 1A AC/DC
- Withstanding Voltage : 500V AC/minute
- Insulation Resistance : 1,000MΩ min
- Temperature Range : -25°C to +105°C
- Contact Resistance : 20mΩ max

**WAFER:**

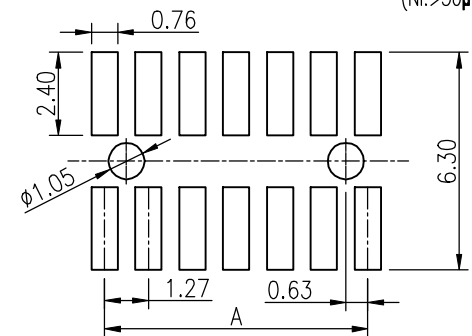
- Material: Base: High Temp Plastic, UL94V-0  
Contact: Brass, Tin Plated/Gold Plated  
Cap: High Temp Plastic, UL94V-0
- Color: Nature of Material
- Packing: Reel
- Part No. : JS-1178E-XXXX-XX

Poles: 10,12...100  
Blank: Tin Plated (Ni:>30μ",Sn:>100μ")  
M: Matte Sn (Ni:>30μ",Sn:>100μ")  
GO: Gold Plated (Ni:>30μ",Au:>0.8μ")

Blank: Nature  
BK: Black

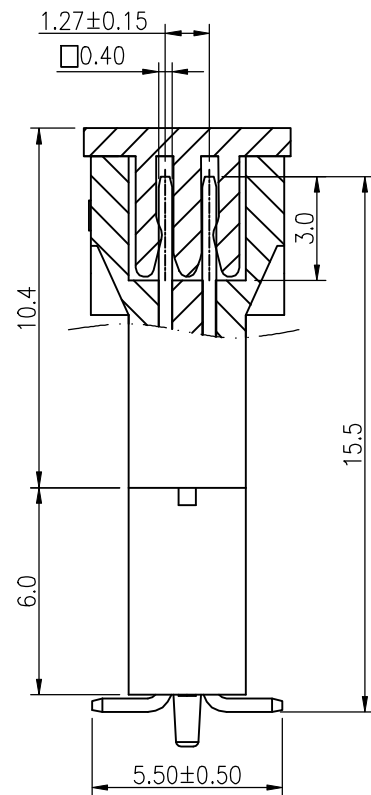
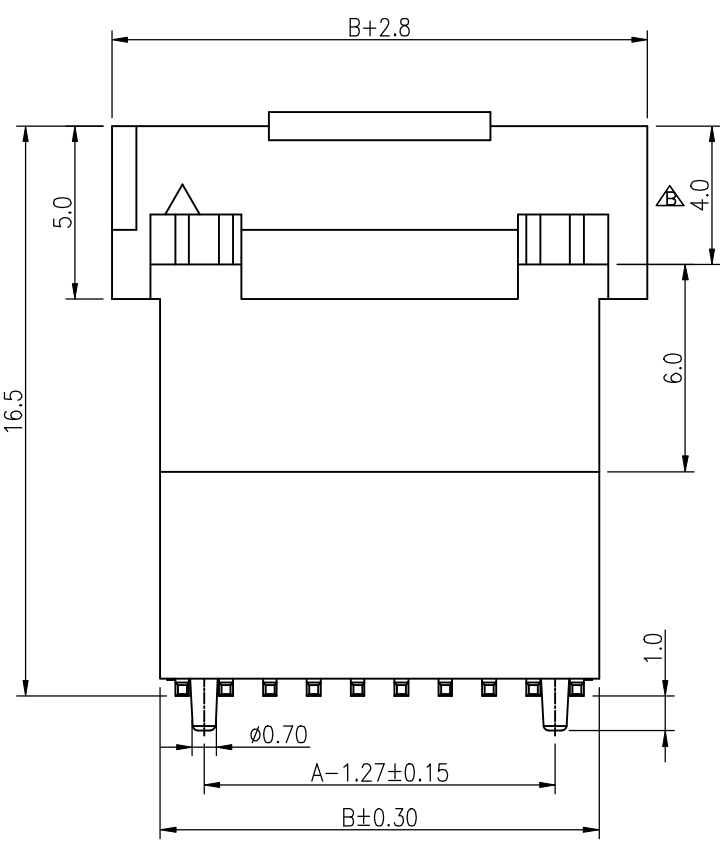
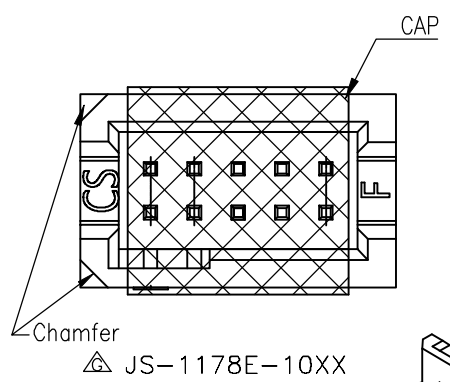
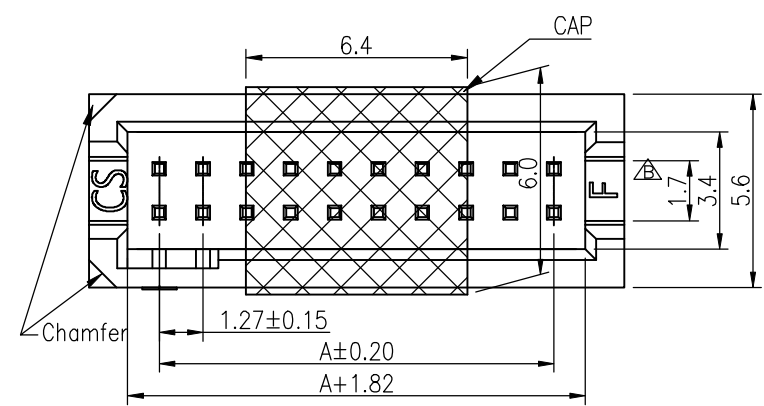


3D View



Recommended PCB Layout  
(PCB Tolerance ±0.05)

Poles	A	B	Poles	A	B
10	5.08	6.35	56	34.29	35.56
12	6.35	7.62	58	35.56	36.83
14	7.62	8.89	60	36.83	38.10
16	8.89	10.16	62	38.10	39.37
18	10.16	11.43	64	39.37	40.64
20	11.43	12.70	66	40.64	41.91
22	12.70	13.97	68	41.91	43.18
24	13.97	15.24	70	43.18	44.45
26	15.24	16.51	72	44.45	45.72
28	16.51	17.78	74	45.72	46.99
30	17.78	19.05	76	46.99	48.26
32	19.05	20.32	78	48.26	49.53
34	20.32	21.59	80	49.53	50.80
36	21.59	22.86	82	50.80	52.07
38	22.86	24.13	84	52.07	53.34
40	24.13	25.40	86	53.34	54.61
42	25.40	26.67	88	54.61	55.88
44	26.67	27.94	90	55.88	57.15
46	27.94	29.21	92	57.15	58.42
48	29.21	30.48	94	58.42	59.69
50	30.48	31.75	96	59.69	60.96
52	31.75	33.02	98	60.96	62.23
54	33.02	34.29	100	62.23	63.50



X.	±0.40	X.*	±5.0'	UNITS	mm	NAME(INTENDED USE)	
.X	±0.30	.X*	±2.0'	MAT'S		CUSTOMER	
.XX	±0.20	.XX*	±1.0'	SEE NOTE		PART NO.(INTENDED USE)	TITLE:
.XXX	±0.10	---	---	FINISH		JS-1178E-XX	1.27mm B to B Connectors
THESE DRAWINGS AND SPECIFICATIONS ARE THE PROPERTY OF CHYAO SHUINN ELECTRONIC CO.,LTD.AND SHALL NOT BE REPRODUCED, COPIED OR USED IN ANY MANNER WITHOUT THE PRIOR WRITTEN CONSENT OF CHYAO SHUINN ELECTRONIC CO.,LTD.				SEE NOTE		APPV'D	DWG NO.
				Q'TY	---	CHK'D	020-0163-1178E-XX
						DR': sunquan 2013/11/13	SCALE SHEET REV
							4 : 1 1/1 /

符合环境管理物质

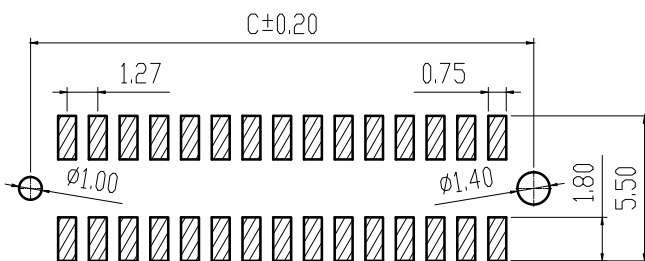
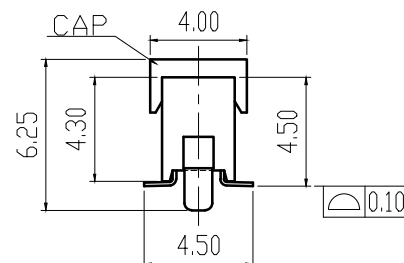
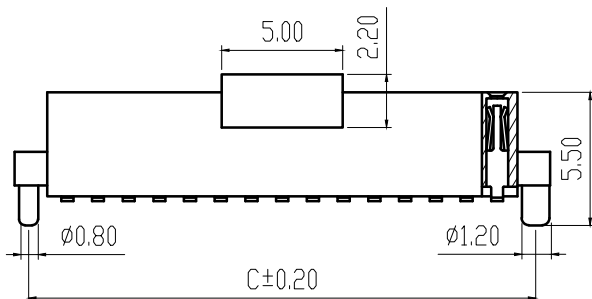
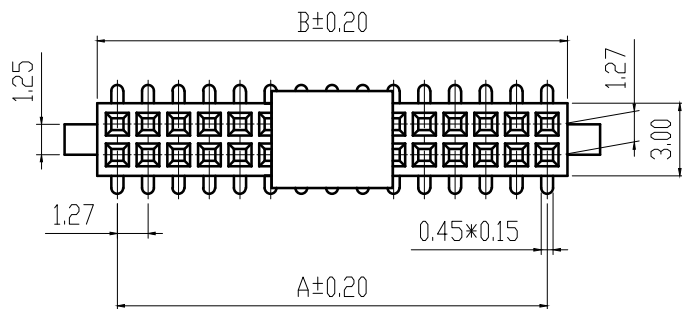


A4

SPECIFICATIONS

- . Current Rating : 1A AC/DC
- . Withstanding Voltage : 500V AC/minute
- . Insulation Resistance : 1,000MΩ min
- . Temperature Range : -25°C to +105°C
- . Contact Resistance : 20mΩ max

REV.	ECN.NO	REVISIONS	REV.DRAWN	DATE
G	----	增列电气规格	sunquan	2014/02/08
H	----	新增至60pin规格	YangSong	2016/11/16
I	----	新增70pin规格	YangSong	2017/11/20
J	----	更正尺寸	YangSong	2018/03/14



P.C.B Hole Layout

WAFER:

- Material: Base: High Temp Plastic, UL94V-0; Color: Black  
Cap: High Temp Plastic, UL94V-0; Color: Black  
Contact: Copper Alloy, Tin Plated/Gold Plated

- Packing: Reel
- Part No.

JS-1183V-XXXX-XX

- Poles: 04~70
- Blank: Tin Plated (Ni:>30μ",Sn:>100μ")
- M: Matte Sn (Ni:>30μ",Sn:>100μ")
- GO: Gold Plated (Ni:>30μ",Au:>0.8μ")

- Blank: Normal
- NH: Halogen Free

- Halogen free product identification LOGO on the packing

Poles	A	B	C	Poles	A	B	C
4	1.27	2.94	4.42	34	20.32	21.99	23.47
6	2.54	4.21	5.69	36	21.59	23.26	24.74
8	3.81	5.48	6.96	38	22.86	24.53	26.01
10	5.08	6.75	8.23	40	24.13	25.80	27.28
12	6.35	8.02	9.50	42	25.40	27.07	28.55
14	7.62	9.29	10.77	44	26.67	28.34	29.82
16	8.89	10.56	12.04	46	27.94	29.61	31.09
18	10.16	11.83	13.31	48	29.21	30.88	32.36
20	11.43	13.10	14.58	50	30.48	32.15	33.63
22	12.70	14.37	15.85	52	31.75	33.42	34.90
24	13.97	15.64	17.12	54	33.02	34.69	36.17
26	15.24	16.91	18.39	56	34.29	35.96	37.44
28	16.51	18.18	19.66	58	35.56	37.23	38.71
30	17.78	19.45	20.93	60	36.83	38.50	39.98
32	19.05	20.72	22.20	70	43.38	44.85	46.53

X. ±0.40	X.' ±5.0'	UNITS mm	NAME(INTENDED USE)	乔讯电子(上海)有限公司 CHYAO SHUNN ELECTRONICS(SHANGHAI)CO.,LTD.						
.X ±0.30	.X' ±2.0'	MAT'S	CUSTOMER(台北专用)							
.XX ±0.20	.XX' ±1.0'	SEE NOTE	PART NO.(INTENDED USE)	TITLE:						
.XXX ±0.10	---	FINISH	JS-1183V-XX	Female Header,SMT,1.27mm Pitch						
THESE DRAWINGS AND SPECIFICATIONS ARE THE PROPERTY OF CHYAO SHUNN ELECTRONIC CO.,LTD.AND SHALL NOT BE REPRODUCED, COPIED OR USED IN ANY MANNER WITHOUT THE PRIOR WRITTEN CONSENT OF CHYAO SHUNN ELECTRONIC CO.,LTD.			APPV'D	DWG NO.						
Q'TY			CHK'D	020-XXXX-1183V-02						
---			DR': sunquan 2012/11/01	<table border="1"> <thead> <tr> <th>SCALE</th> <th>SHEET</th> <th>REV</th> </tr> </thead> <tbody> <tr> <td>3 : 1</td> <td>1/1</td> <td>/</td> </tr> </tbody> </table>	SCALE	SHEET	REV	3 : 1	1/1	/
SCALE	SHEET	REV								
3 : 1	1/1	/								

符合环境管理物质

