

■ SPECIFICATIONS

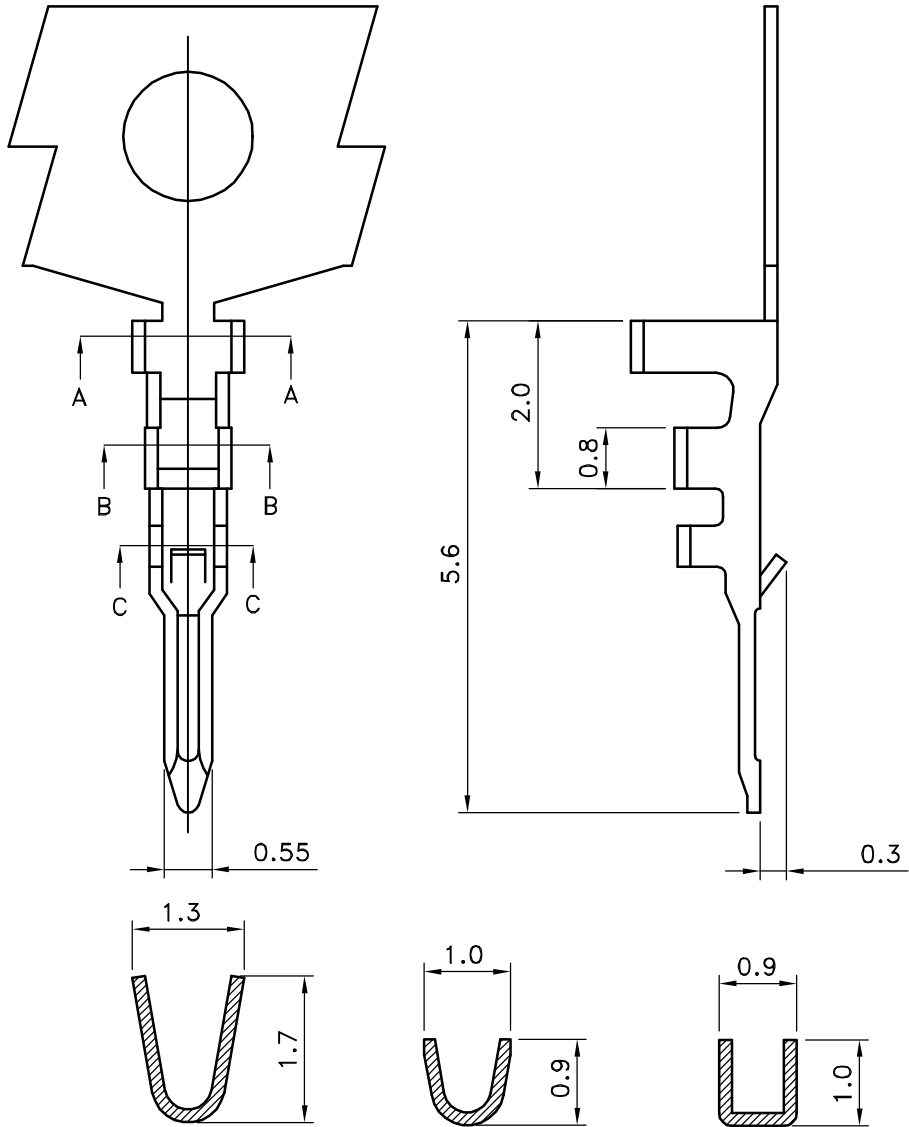
- Voltage Rating : 125V AC/DC
- Current Rating : 1A AC/DC
- Withstanding Voltage : 250V AC/minute
- Insulation Resistance : 100MΩ min
- Temperature Range : - 25°C to + 85°C
- Contact Resistance(On Crimped Portion) : 10mΩ max

■ HOUSING

- Part No. : JS-1252-XX
- Poles : 2-15(Board in)
- Material : Nylon 66 UL94V-0
- Q' ty : 1000 pcs./Bag

Poles	Part No.	Dimensions(mm)	
		A	B
2	JS-1252-02	1.25	3.00
3	JS-1252-03	2.50	4.25
4	JS-1252-04	3.75	5.50
5	JS-1252-05	5.00	6.75
6	JS-1252-06	6.25	8.00
7	JS-1252-07	7.50	9.25
8	JS-1252-08	8.75	10.50
9	JS-1252-09	10.00	11.75
10	JS-1252-10	11.25	13.00
11	JS-1252-11	12.50	14.25
12	JS-1252-12	13.75	15.50
13	JS-1252-13	15.00	16.75
14	JS-1252-14	16.25	18.00
15	JS-1252-15	17.50	19.25

	喬訊電子工業股份有限公司 <b>CHYAO SHIUNN</b> <b>ELECTRONIC INDUSTRIAL LTD.</b>	APPROVED BY	SCALE	UNIT	TOLERANCE	LTR	REVISION RECORD	DATE	LTR	REVISION RECORD	DATE
	Part No <b>JS-1252-XX</b>	林宗	PROJ		mm VER NO.	.0 ±0.3 .00 ±0.2 .000 ±0.1 ALL ±	ECR ECR	RoHS Compliant 200810-010	06/04/01 08/10/24		
<b>1.25mm Crimp Style Connectors Housing</b>	DRAWN BY 黃科源	DATE 2008/10/23	SIZE A4	ANGLE 0° ± .0° ±					CUSTOMER		Conforms to The RoHS Instruction



A-A SEC

B-B SEC

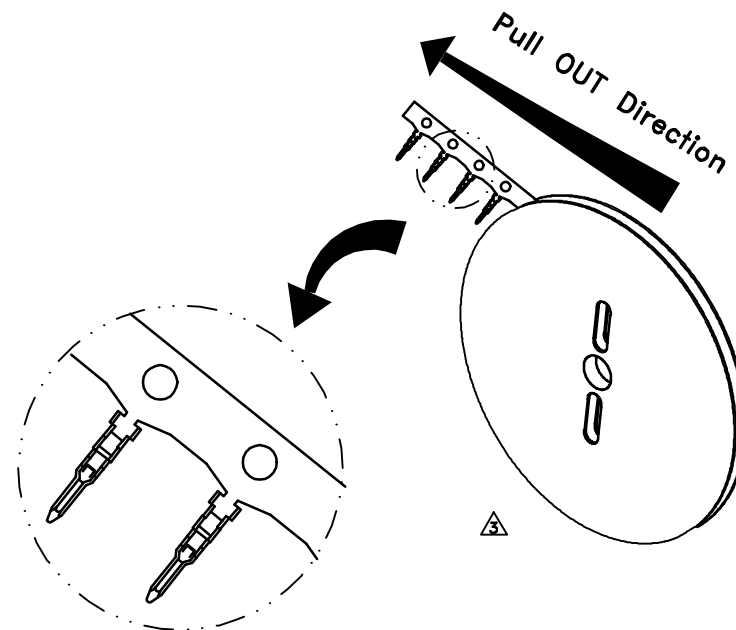
C-C SEC

■ SPECIFICATIONS

- Voltage Rating : 125V AC/DC
- Current Rating : 1A AC/DC
- Withstanding Voltage : 250V AC/minute
- Insulation Resistance : 100M Ω min
- Temperature Range : - 25°C to + 85°C
- Contact Resistance : 20mΩ max

■ TERMINAL

- Part No. : JS-1252-T
- Applicable Wires : AWG # 28-32
- Material : Phosphor. Bronze
- ▲ • Finish : Tin Plated over Nickel
- Thickness : 0.15 mm
- Q' ty : 15000 pcs./Reel



喬訊電子工業股份有限公司

CHYAO SHIUNN  
ELECTRONIC INDUSTRIAL LTD.

APPROVED BY	SCALE	UNIT	TOLERANCE	LTR	REVISION RECORD	NAME	DATE	LTR	REVISION RECORD	NAME	DATE
Tom Shih		mm	.0 ±0.30	▲	200810-010	資料源	08/10/24	▲			
CHECKED BY	PROJ	VER NO.	.00 ±0.20	▲	增加端子捲繞方向圖	吳弘文	14/10/24	▲			
Erin Chou	☉	α3	.000 ±0.10	▲	電鍍鍍層增加Ni說明和材料圖增加端子放大圖	Tom Lee	18/05/25	▲			
DRAWN BY	DATE	SIZE	ANGLE	▲					CUSTOMER		
Tom Lee	2018/05/28	A4	0° ±1°	▲					Conforms to The RoHS Instruction		
			.0° ±	▲							
			SHEET 1/1	▲							

PART NO JS-1252-T

1.25mm Crimp Style Connectors Terminal