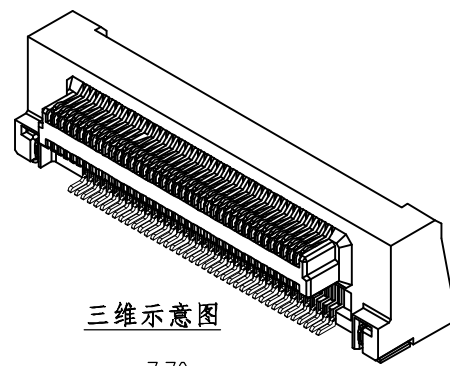
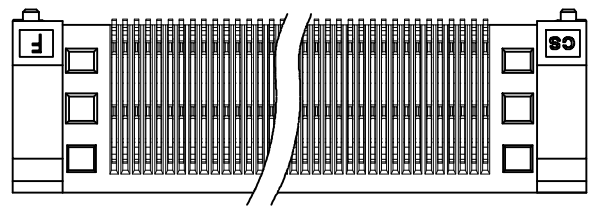
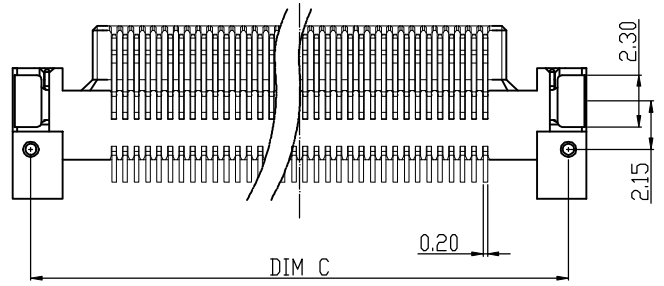
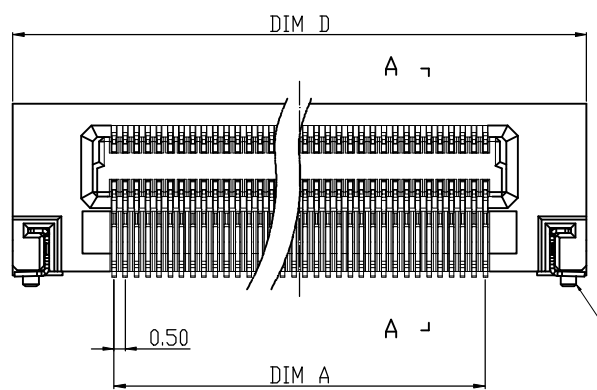
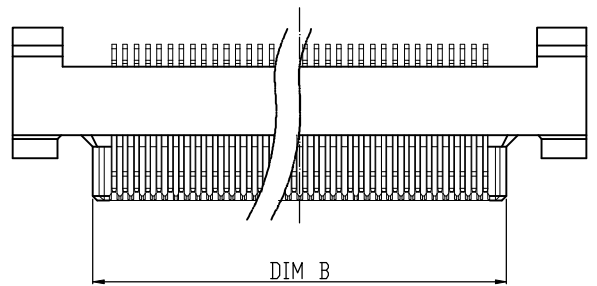
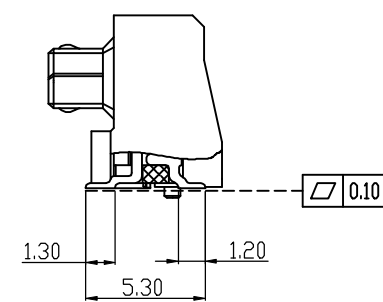
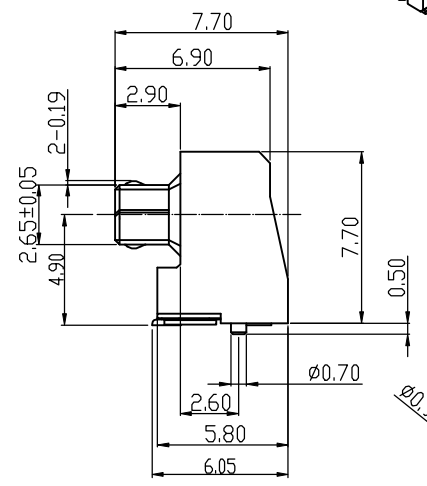


| REV. | ECN.NO | REVISIONS | REV.DRAWN | DATE       |
|------|--------|-----------|-----------|------------|
| A    | ----   | 初版发行      | Sunhan    | 2018/08/30 |
|      |        |           |           |            |



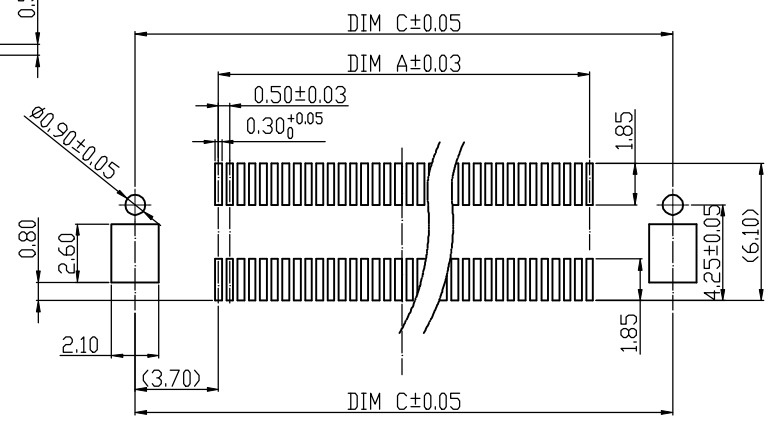
三维示意图



- WAFER:**
- Material: Base: High Temp Plastic, UL94V-0  
Contact: Copper Alloy, Gold Plated  
Nail: Copper Alloy, Matte Tin
  - Packing: Reel
  - Part No.  
JS-0535-XXXXXX-XXXX-XX

- Poles: 80, 100, 120
- WB: Without Boss
- Blank: With Boss
- G1: Gold Plated (Ni:>30μ", Au:>3μ")
- Blank: Normal
- NH: Halogen Free
- Blank: Black
- Blank: LCP

- Halogen free product identification LOGO on the packing
- Matting with JS-0536 series connectr.



| 表1:   |       |       |       |       |
|-------|-------|-------|-------|-------|
| Poles | DIM A | DIM B | DIM C | DIM D |
| 80    | 19.50 | 21.40 | 26.90 | 28.50 |
| 100   | 24.50 | 26.40 | 31.90 | 33.50 |
| 120   | 29.50 | 31.40 | 36.90 | 38.50 |

|   |       |      |       |          |      |                        |  |
|---|-------|------|-------|----------|------|------------------------|--|
| X.  | ±0.40 | X.*  | ±5.0' | UNITS    | mm   | NAME(INTENDED USE)     |  |
| .X  | ±0.30 | .X*  | ±2.0' | MAT'S    |      | CUSTOMER               |  |
| .XX   | ±0.20 | .XX* | ±1.0' | SEE NOTE |      | PART NO.(INTENDED USE) |  |
| .XXX  | ±0.10 | ---  | ---   | FINISH   |      | JS-0535-XX             |  |
| THESE DRAWINGS AND SPECIFICATIONS ARE THE PROPERTY OF CHYAO SHUINN ELECTRONIC CO.,LTD AND SHALL NOT BE REPRODUCED, COPIED OR USED IN ANY MANNER WITHOUT THE PRIOR WRITTEN CONSENT OF CHYAO SHUINN ELECTRONIC CO.,LTD. |       |      |       | SEE NOTE |      | APPV'D                 |  |
|   |       |      |       | Q'TY     | ---- | CHK'D                  |  |
|   |       |      |       |          |      | DR': Sunhan 2018/07/12 |  |

**乔讯电子(上海)有限公司**  
CHYAO SHUINN ELECTRONICS(SHANGHAI)CO.,LTD.

TITLE: 0.5mm Pitch BTB PLUG SMT R/A TYPE

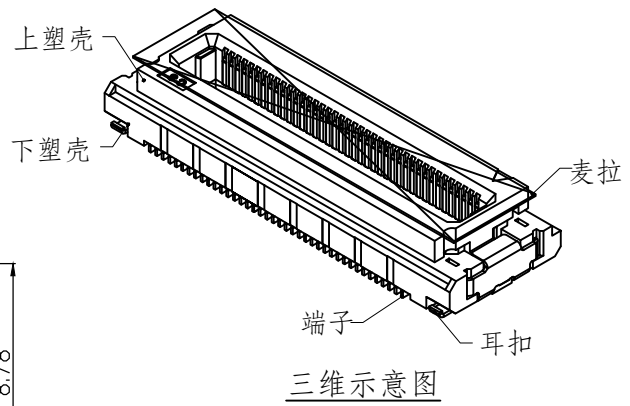
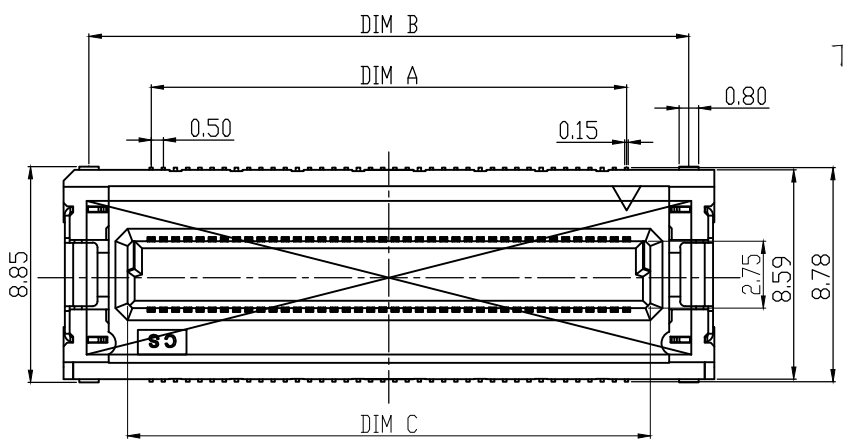
DWG NO. 020-0172-0535-01

| SCALE | SHEET | REV |
|-------|-------|-----|
| 1:1   | 1/1   | /   |

符合环境管理物质

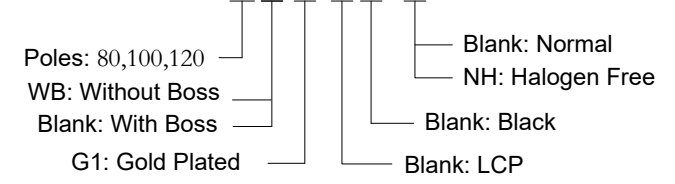


| REV. | ECN.NO | REVISIONS | REV.DRAWN  | DATE       |
|------|--------|-----------|------------|------------|
| X2   | ----   | 料号变更      | Sunhan     | 2018.08.30 |
| A    | ----   | 升版发行      | YangSong   | 2019.03.07 |
| B    | ----   | 尺寸修正      | zhangqiang | 2022.06.17 |
| C    | ----   | 增加结合高度    | zhangqiang | 2023.05.29 |

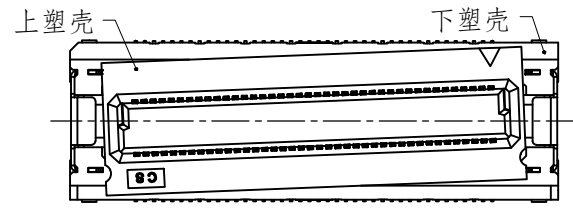
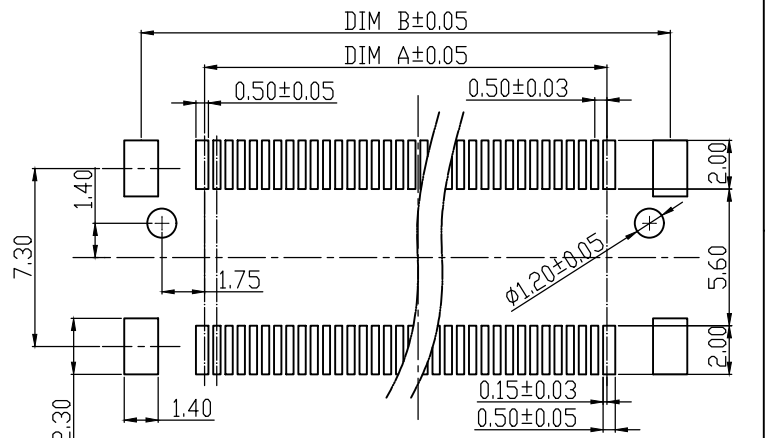
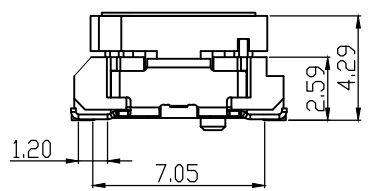
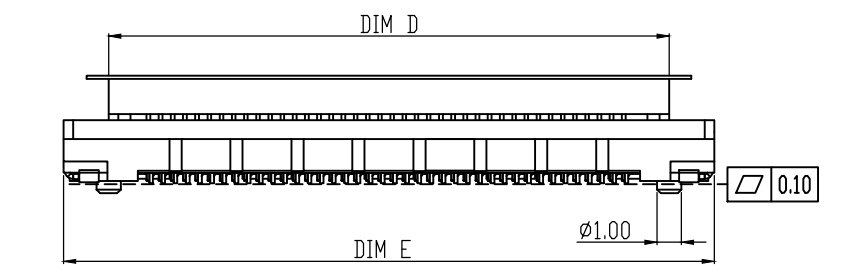


WAFER:

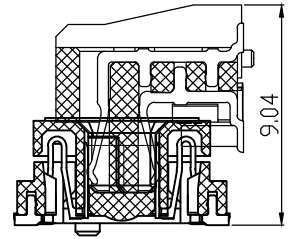
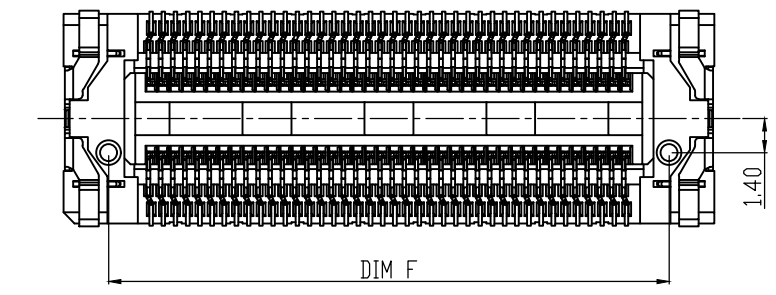
- Material: Base: High Temp Plastic, UL94V-0  
Contact: Copper Alloy, Gold Plated  
Nail: Copper Alloy, Matte Tin
- Packing: Reel
- Part No.  
JS-0536-XXXXXX-XXXX-XX



- Halogen free product identification LOGO on the packing
- Matting with JS-0535 series connectr.



上、下塑壳间; 水平、垂直方向最大0.25mm相对位移



| Poles | DIM A | DIM B | DIM C | DIM D | DIM E | DIM F |
|-------|-------|-------|-------|-------|-------|-------|
| 80    | 19.50 | 24.60 | 21.45 | 23.00 | 26.70 | 23.00 |
| 100   | 24.50 | 29.60 | 26.45 | 28.00 | 31.70 | 28.00 |
| 120   | 29.50 | 34.60 | 31.45 | 33.00 | 36.70 | 33.00 |

|   |       |      |       |        |          |                        |  |
|---|-------|------|-------|--------|----------|------------------------|--|
| X.  | ±0.40 | X.*  | ±5.0° | UNITS  | mm       | NAME(INTENDED USE)     | 乔讯电子(上海)有限公司<br>CHYAO SHIUNN ELECTRONICS(SHANGHA)CO.,LTD.                  |
| .X  | ±0.30 | .X*  | ±2.0° | MAT'S  | SEE NOTE | CUSTOMER               |  |
| .XX   | ±0.20 | .XX* | ±1.0° | FINISH | SEE NOTE | PART NO.(INTENDED USE) | TITLE: 0.5mm Pitch BTB RECEPTACLE SMT TYPE<br><br>DWG NO. 020-0173-0536-01 |
| .XXX  | ±0.10 | ---  | ---   | Q'TY   | ---      | JS-0536-XX             |  |
| THESE DRAWINGS AND SPECIFICATIONS ARE THE PROPERTY OF CHYAO SHIUNN ELECTRONIC CO.,LTD.AND SHALL NOT BE REPRODUCED, COPIED OR USED IN ANY MANNER WITHOUT THE PRIOR WRITTEN CONSENT OF CHYAO SHIUNN ELECTRONIC CO.,LTD. |       |      |       |        |          |                        | APPV'D<br><br>CHK'D<br><br>DR': YangSong 2018.04.25                        |
| 符合环境管理物质  |       |      |       |        |          |                        | SCALE 6:1<br>SHEET 1/1<br>REV /  |



符合环境管理物质