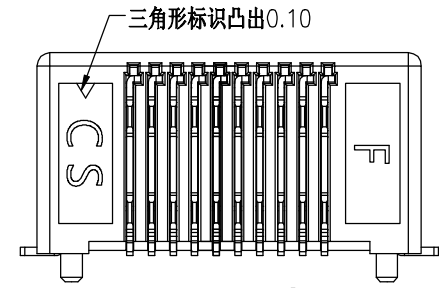
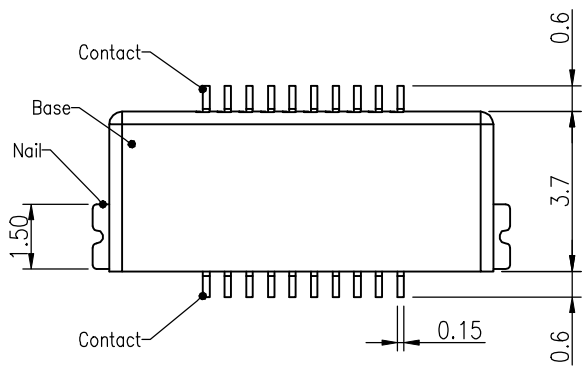


REV.	ECN.NO	REVISIONS	REV.DRAWN	DATE
G	----	增加烘烤后平面度管控	YangSong	2016/08/30
H	----	修订PCB板尺寸	YangSong	2016/10/17
I	----	加标修定尺寸	YangSong	2016/10/24
J	----	塑胶顶部加胶0.05	YangSong	2016/10/28

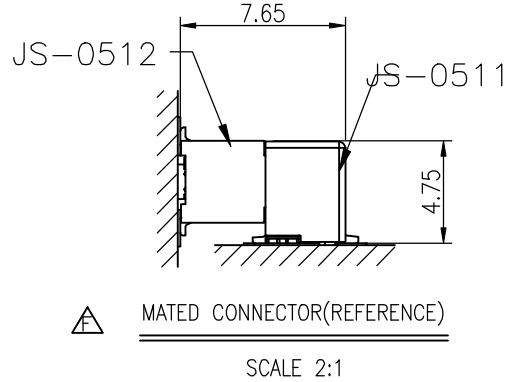
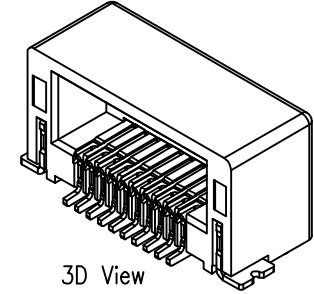
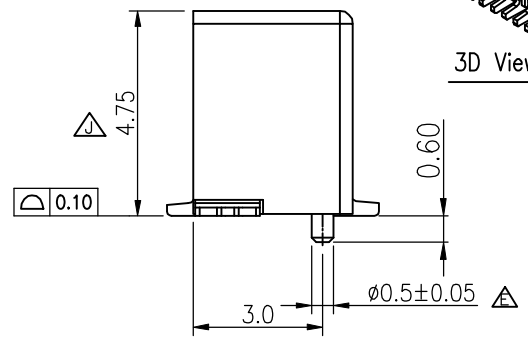
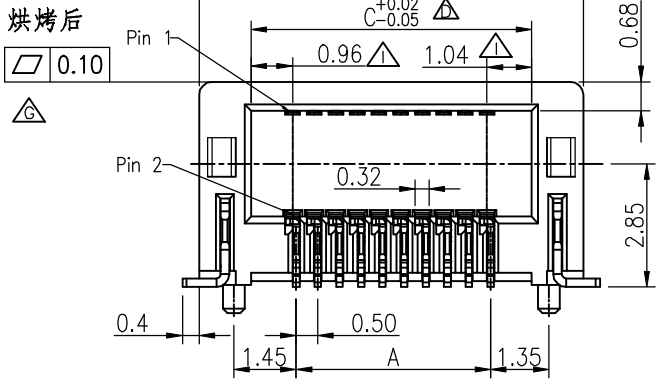


WAFER:  
 1. Material: Base: High Temp Plastic, UL94V-0  
 Contact: Copper Alloy, Tin Plated/Gold Plated  
 Nail: Copper Alloy, Matte Tin  
 2. Packing: Reel  
 3. Part No.  
 JS-0511-XXXX-XXXX-XX

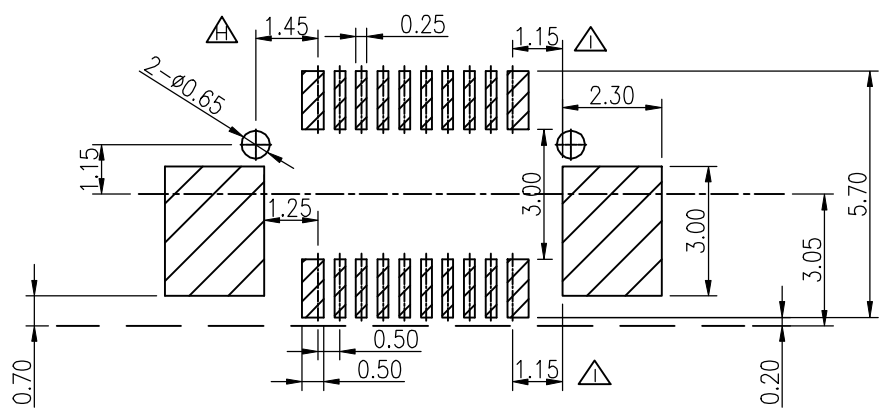
Poles: 10,20~160  
 Blank: Tin Plated  
 (Ni:>30μ",Sn:>100μ")  
 M: Matte Sn  
 (Ni:>30μ",Sn:>100μ")  
 GO: Gold Plated  
 (Ni:>30μ",Au:>0.8μ")

Blank: Normal  
 NH: Halogen Free  
 Blank: Nature  
 BK: Black  
 Blank: LCP

4. Halogen free product identification LOGO on the packing  
 5. Matting with JS-0512 series connectotr.



Poles	A	B	C
10	2.00	6.40	4.00
20	4.50	8.90	6.50
30	7.00	11.40	9.00
40	9.50	13.90	11.50
50	12.00	16.40	14.00
60	14.50	18.90	16.50
70	17.00	21.40	19.00
80	19.50	23.90	21.50
90	22.00	26.40	24.00
100	24.50	28.90	26.50
110	27.00	31.40	29.00
120	29.50	33.90	31.50
130	32.00	36.40	34.00
140	34.50	38.90	36.50
150	37.00	41.40	39.00
160	39.50	43.90	41.50



Toerance: ±0.05  
 Recommended PCB Layout

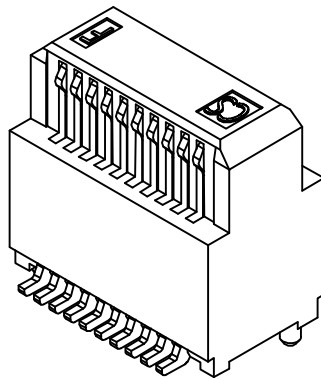
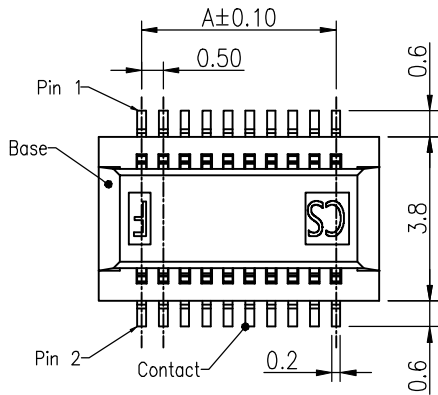
符合环境管理物质

X.	±0.40	X.*	±5.0'	UNITS	mm	NAME(INTENDED USE)	乔讯电子(上海)有限公司 CHYAO SHUINN ELECTRONICS(SHANGHA)CO.,LTD.
.X	±0.30	.X'	±2.0'	MAT'S		CUSTOMER	
.XX	±0.20	.XX'	±1.0'	SEE NOTE		PART NO.(INTENDED USE)	TITLE: 0.5mm Pitch BTB PLUG SMT R/A D/R TYPE
.XXX	±0.10	---	---	FINISH		JS-0511-XX	
THESE DRAWINGS AND SPECIFICATIONS ARE THE PROPERTY OF CHYAO SHUINN ELECTRONIC CO.,LTD.AND SHALL NOT BE REPRODUCED, COPIED OR USED IN ANY MANNER WITHOUT THE PRIOR WRITTEN CONSENT OF CHYAO SHUINN ELECTRONIC CO.,LTD.				SEE NOTE		APPV'D	DWG NO. 020-0164-0511-XX
				Q'TY	---	CHK'D	
						DR':	sunquan 2013/11/12

SCALE	SHEET	REV
5 : 1	1/1	/



REV.	ECN.NO	REVISIONS	REV.DRAWN	DATE
A	----	增加PIN1 标识	sunquan	2014/06/18
B	----	加严公差	sunquan	2014/10/15
C	----	加严定位柱直径公差	YangSong	2015/04/17
D	----	增加互配端说明	YangSong	2015/12/29



3D View

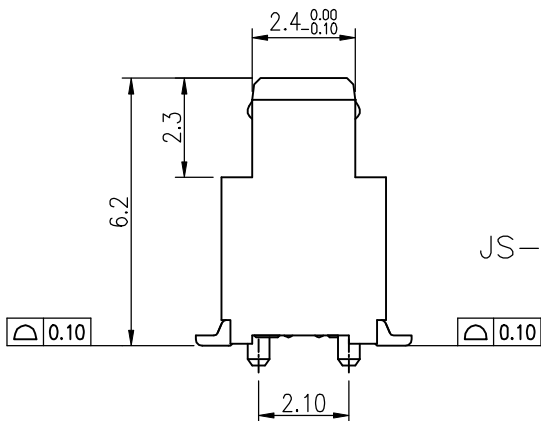
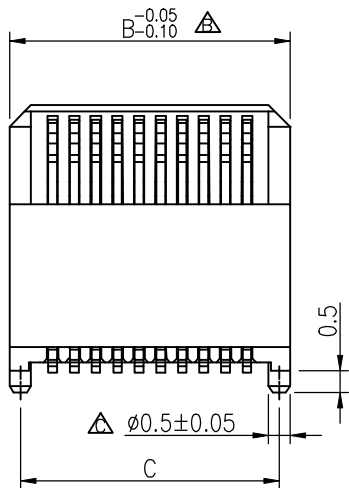
WAFER:

- Material: Base: High Temp Plastic, UL94V-0  
Contact: Copper Alloy, Tin Plated/Gold Plated
- Packing: Reel
- Part No.

JS-0512-XXXX-XXXX-XX

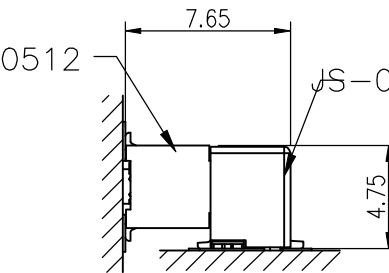
- Poles: 10,20~160
- Blank: Tin Plated
- (Ni:>30μ",Sn:>100μ")
- M: Matte Sn
- (Ni:>30μ",Sn:>100μ")
- GO: Gold Plated
- (Ni:>30μ",Au:>0.8μ")
- Blank: Normal
- NH: Halogen Free
- Blank: Nature
- BK: Black
- Blank: LCP

- Halogen free product identification LOGO on the packing
- Matting with JS-0511 series connectoctr.



JS-0512

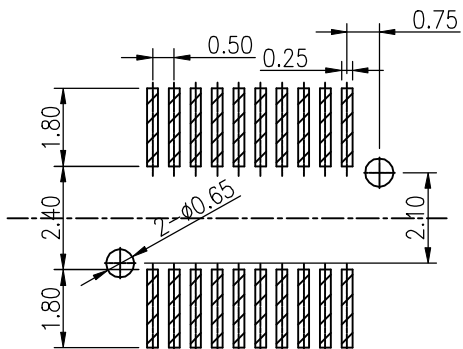
JS-0511



MATED CONNECTOR(REFERENCE)

SCALE 2:1

Poles	A	B	C
10	2.00	4.00	3.50
20	4.50	6.50	6.00
30	7.00	9.00	8.50
40	9.50	11.50	11.00
50	12.00	14.00	13.50
60	14.50	16.50	16.00
70	17.00	19.00	18.50
80	19.50	21.50	21.00
90	22.00	24.00	23.50
100	24.50	26.50	26.00
110	27.00	29.00	28.50
120	29.50	31.50	31.00
130	32.00	34.00	33.50
140	34.50	36.50	36.00
150	37.00	39.00	38.50
160	39.50	41.50	41.00



Toerance: ±0.05  
Recommended PCB Layout

X.	±0.40	X.*	±5.0'	UNITS	mm	NAME(INTENDED USE)	CUSTOMER
.X	±0.30	.X'	±2.0'	MAT'S			
.XX	±0.20	.XX'	±1.0'	SEE NOTE		PART NO.(INTENDED USE)	TITLE: 0.5mm Pitch BTB RCPT SMT S/T D/R TYPE
.XXX	±0.10	---	---	FINISH		JS-0512-XX	
THESE DRAWINGS AND SPECIFICATIONS ARE THE PROPERTY OF CHYAO SHUINN ELECTRONIC CO.,LTD.AND SHALL NOT BE REPRODUCED, COPIED OR USED IN ANY MANNER WITHOUT THE PRIOR WRITTEN CONSENT OF CHYAO SHUINN ELECTRONIC CO.,LTD.				SEE NOTE		APPV'D	DWG NO. 020-0165-0512-XX
				Q'TY	---	CHK'D	SCALE SHEET REV 5 : 1 1/1 /
						DR': sunquan 2013/11/12	

符合环境管理物质

