

REV.	ECN.NO	REVISIONS	REV.DRAWN	DATE
A	----	初版发行	sunquan	2010/03/09
B	----	修改料号编码	sunquan	2010/05/12
C	----	增加PIN NO.01标示及总高度标注	sunquan	2010/07/07
D	12021	修改耳扣以及塑胶结构	Asimo	2012/04/11

SPECIFICATION

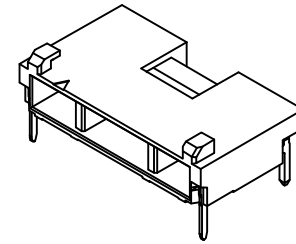
- . Voltage Rating : 3000V AC/DC
- . Current Rating : 1A AC/DC
- . Withstanding Voltage : 5000V AC/Minute
- . Insulation Resistance : 1000MΩ Min.
- . Temperature Range : -25°C~+85°C
- . Contact Resistance : 10mΩ Max.

NOTES:

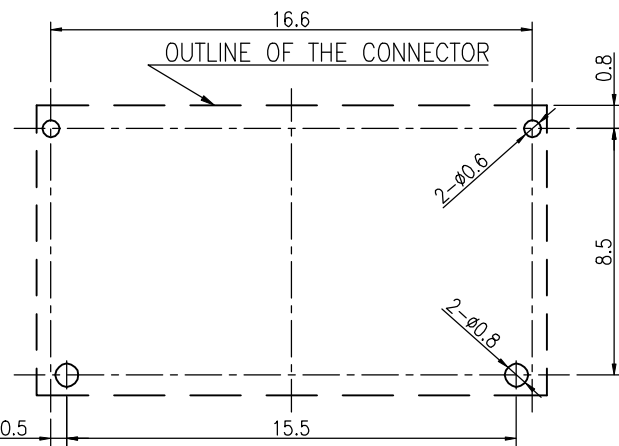
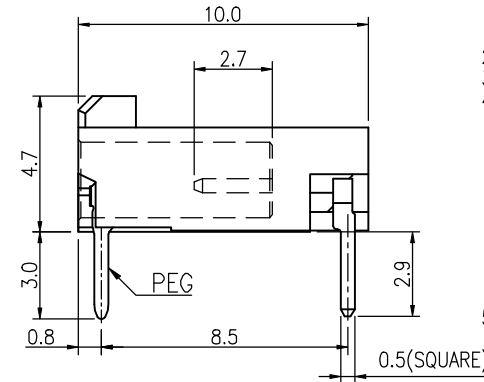
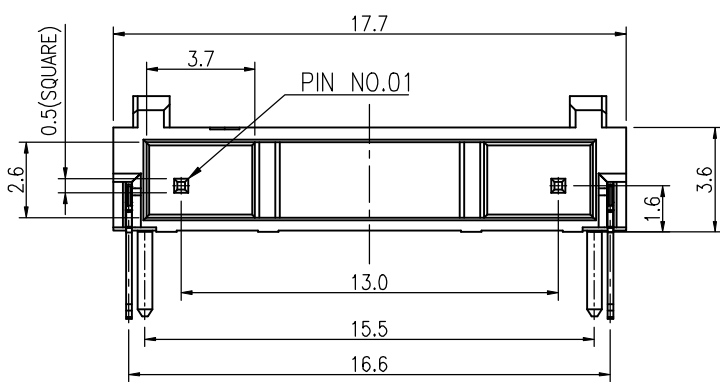
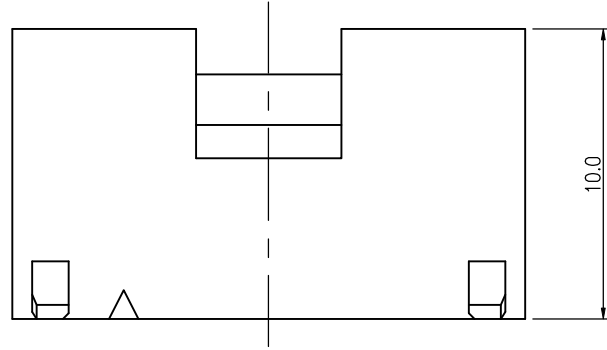
- MATERIAL:
BASE: HIGH TEMP. THERMOPLASTIC, UL94V-0; COLOR:NATURE&BLACK
CONTACT: COPPER ALLOY, MATTE TIN
SOLDER TAB: COPPER ALLOY, MATTE TIN
- MATE WITH: (HOUSING) UNDEVELOPED
- Q'TY: 30PCS/TUBE
- PART NO.
JS-20131D3-02XX-XX-XX

- BLANK: NORMAL
- NH: HALOGEN FREE
- BLANK: NATURE
- BK: BLACK
- M: MATTE TIN
- POLES: 02

- Halogen free product identification LOGO on the packing



3D VIEW



Recommended PCB Layout
(UNLESS SPECIFIED, DIMENSION TOLERANCE=±0.05)

X. ±0.40	X.* ±5.0'	UNITS	MM	NAME(INTENDED USE)	乔讯电子(上海)有限公司 CHYAO SHILUN ELECTRONICS(SHANGHAI)CO.,LTD.						
.X ±0.30	.X' ±3.0'	MAT'S		CUSTOMER							
.XX ±0.20	-- --	SEE NOTE		PART NO.(INTENDED USE)	TITLE: 13.0mm PITCH HEADER DIP-TYPE (RIGHT ANGLE)						
-- --	-- --	FINISH		JS-20131D3-02	APP'V'D liuzhiwen 2010/07/07						
THESE DRAWINGS AND SPECIFICATIONS ARE THE PROPERTY OF CHYAO SHILUN ELECTRONIC CO.,LTD.AND SHALL NOT BE REPRODUCED, COPIED OR USED IN ANY MANNER WITHOUT THE PRIOR WRITTEN CONSENT OF CHYAO SHILUN ELECTRONIC CO.,LTD.				Q'TY	DR' : sunquan 2010/03/09						
				CHK'D	<table border="1"> <tr> <th>SCALE</th> <th>SHEET</th> <th>REV</th> </tr> <tr> <td>4 : 1</td> <td>1/1</td> <td>D</td> </tr> </table>	SCALE	SHEET	REV	4 : 1	1/1	D
SCALE	SHEET	REV									
4 : 1	1/1	D									

符合环境管理物质

