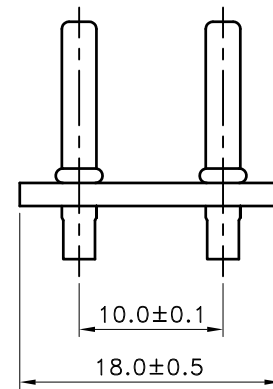
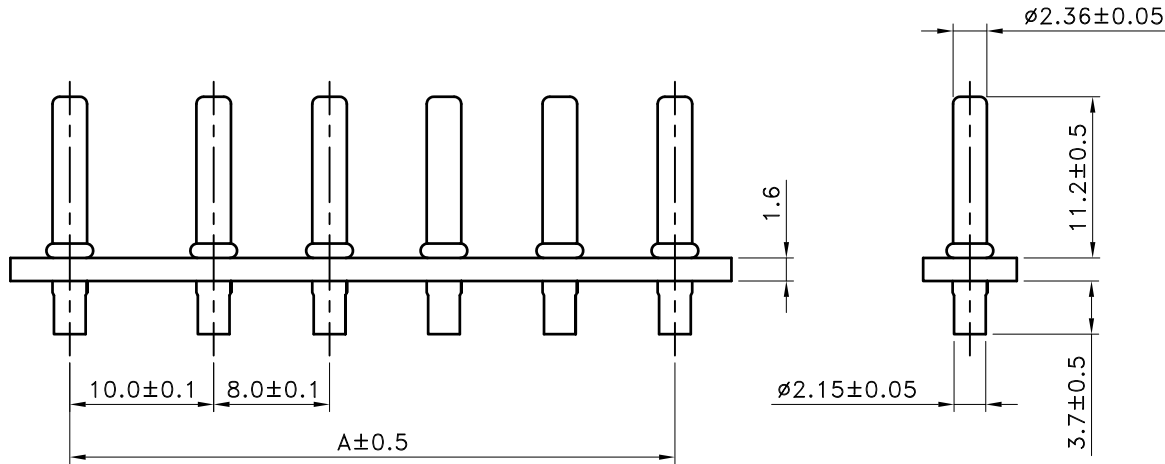
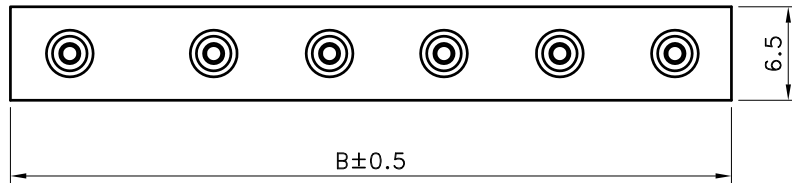
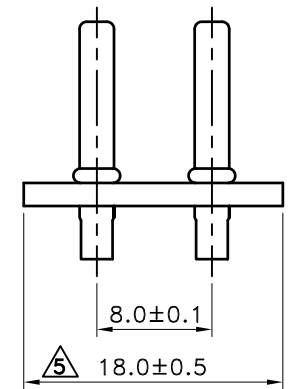


Recommended PCB Layout



JS-1122-02



JS-1122-02/8mm

■ SPECIFICATIONS

- Voltage Rating : 125V AC/DC
- Current Rating : 3A AC/DC
- Withstanding Voltage : 1,500V AC/minute
- Insulation Resistance : 1,000MΩ min.
- Temperature Range : - 25°C to + 85°C
- Contact Resistance : 20mΩ max.

■ WAFER

- Part No. : JS-1122-XX
- Poles : 1 - 6
- Material : Contact : Brass, Tin plated
Base : Nylon 66 UL94V-0
- Q' ty : 1,000 pcs./Bag

Poles	Part No.	Dimensions(mm)	
		A	B
1	JS-1122-01	----	6.50
2	JS-1122-02	See the Drawing	
3	JS-1122-03	10.0+(8.0x1)	26.00
4	JS-1122-04	10.0+(8.0x2)	34.00
5	JS-1122-05	10.0+(8.0x3)	42.00
6	JS-1122-06	10.0+(8.0x4)	50.00



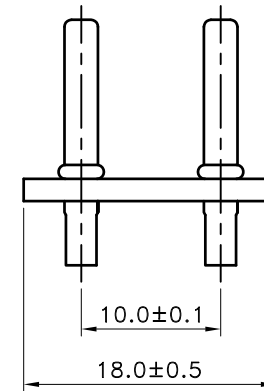
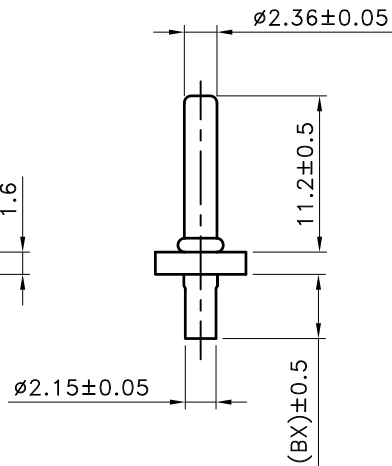
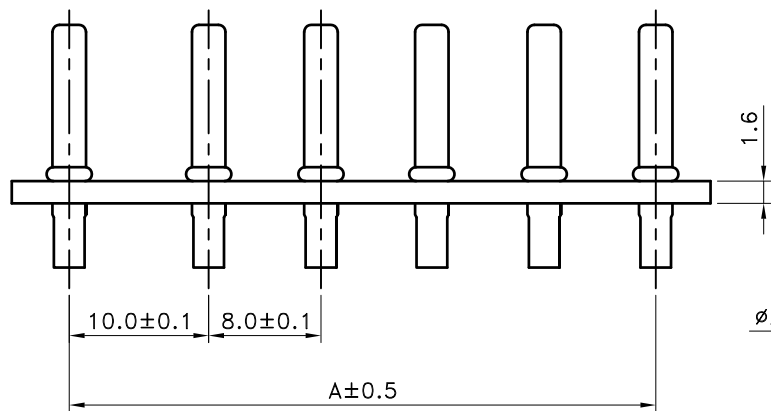
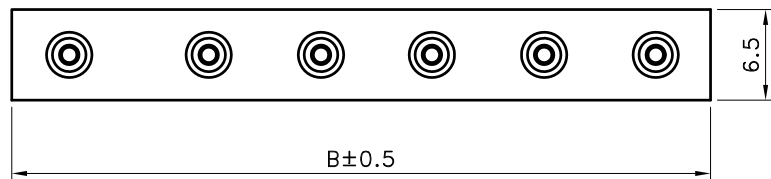
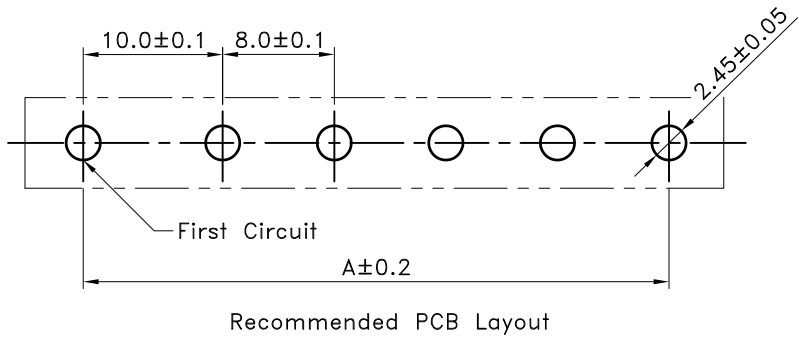
喬訊電子工業股份有限公司

CHYAO SHIUNN
ELECTRONIC INDUSTRIAL LTD.

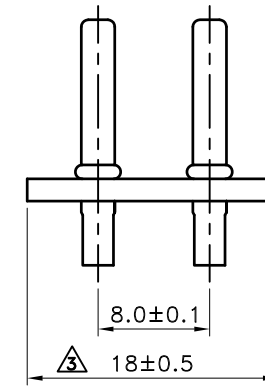
PART NO JS-1122-XX

Disconnectable Crimp Style Connectors for 2.36mm Diameter Pins

APPROVED BY	SCALE	UNIT	TOLERANCE	LTR	REVISION RECORD	NAME	DATE	LTR	REVISION RECORD	NAME	DATE
張育瑞		mm	.0 ±0.30	△	200505-006	2005/05/18	余秀麗	△			
CHECKED BY	PROJ	VER NO.	.00 ±0.20	△	RoHS Compliant	2007/01/04	龔志紅	△			
周慈雲	⊕	a6	.000 ±0.10	△	200811-020	2008/11/25	黃科源	△			
DRAWN BY	DATE	SIZE	ANGLE		修正圖面料號	2012/10/30	張逸維	CUSTOMER			
吳弘文	2014/01/15	A4	0° ±1°	△	變更圖面擺設	2012/10/31	張逸維	Conforms to The RoHS Instruction			
			.0° ±	△	編碼修正	2014/01/15	吳弘文				
			SHEET	1/1							



⚠ JS-1122-02(BX)



⚠ JS-1122-02/8MM(BX)

■ SPECIFICATIONS

- Voltage Rating : 125V AC/DC
- Current Rating : 3A AC/DC
- Withstanding Voltage : 1,500V AC/minute
- Insulation Resistance : 1,000M Ω min.
- Temperature Range : - 25 $^{\circ}$ C to + 85 $^{\circ}$ C
- Contact Resistance : 20m Ω max.

■ WAFER

- Part No. : JS-1122-XX(BX)
- ① Poles : 1 - 6
- ① DIP Length:(B) : 4.6mm
(BS) : 3.7mm
- Material : Contact : Brass, Tin plated
⚠ Base : Phenolic Bakelite UL94HB
- Q' ty : 1,000 pcs./Bag

Poles	Dimensions(mm)	
	A	B
1	-----	6.50
2	See the Drawing	
3	10.0+(8.0x1)	26.00
4	10.0+(8.0x2)	34.00
5	10.0+(8.0x3)	42.00
6	10.0+(8.0x4)	50.00

 喬訊電子工業股份有限公司
CHYAO SHIUNN
ELECTRONIC INDUSTRIAL LTD.

PART NO JS-1122-XX(BX)

Disconnectable Crimp Style Connectors for 2.36mm Diameter Pins

APPROVED BY	SCALE	UNIT	TOLERANCE	LTR	REVISION RECORD	NAME	DATE	LTR	REVISION RECORD	NAME	DATE
張育瑞		mm	.0 ±0.30	⚠	RoHS Compliant	XXX	2007/01/04	⚠			
CHECKED BY	PROJ	VER NO.	.00 ±0.20	⚠	ECR 200811-020	黃科源	2008/11/25	⚠			
周慈雲		a5	.000 ±0.10	⚠	修正圖面編碼	吳弘文	2014/01/15	⚠			
DRAWN BY	DATE	SIZE	ANGLE		合併(BS)圖面	吳弘文	2014/01/20	CUSTOMER			
吳弘文	2015/06/12	A4	0° ±1°	⚠	修正物性表UL等級	吳弘文	2015/06/12				
			0° ±	⚠				Conforms to The RoHS Instruction			
			SHEET	1/1	⚠						



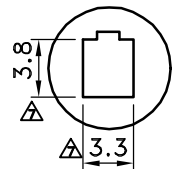
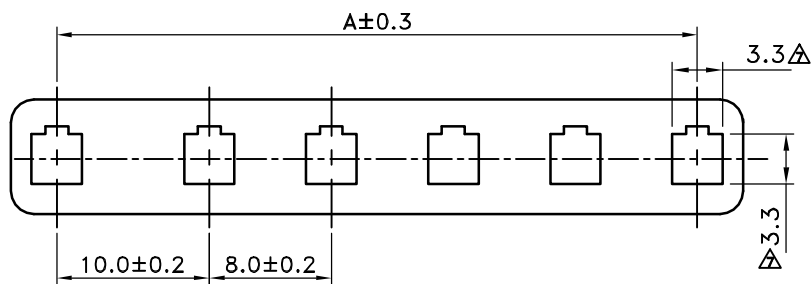
Poles	Dimensions(mm)	
	A	B
1	----	ø8.00
2	8.0	14.2
2	10.0	16.2
3	18.0	24.50
4	26.0	32.50
5	34.0	40.70
6	42.0	48.70

■ SPECIFICATIONS

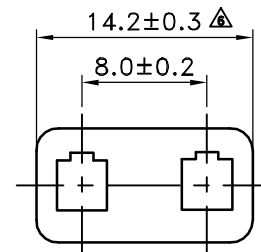
- Voltage Rating : 125V AC/DC
- Current Rating : 3A AC/DC
- Withstanding Voltage : 1,500V AC/minute
- Insulation Resistance : 1,000MΩ min.
- Temperature Range : - 25°C to + 85°C
- Contact Resistance : 20mΩ max.

■ HOUSING

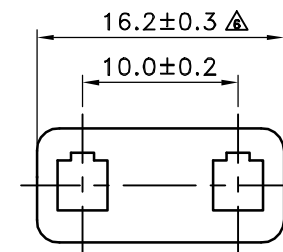
- Part No. : JS-1123-XX
- Poles : 1 - 6
- Material : Base : Nylon 66 UL94V-0
- ▲ Q' ty : 500 pcs./Bag



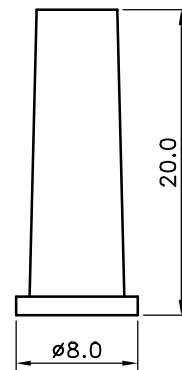
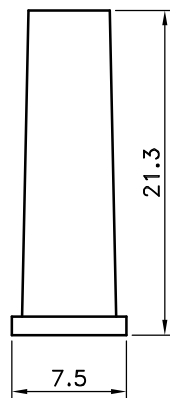
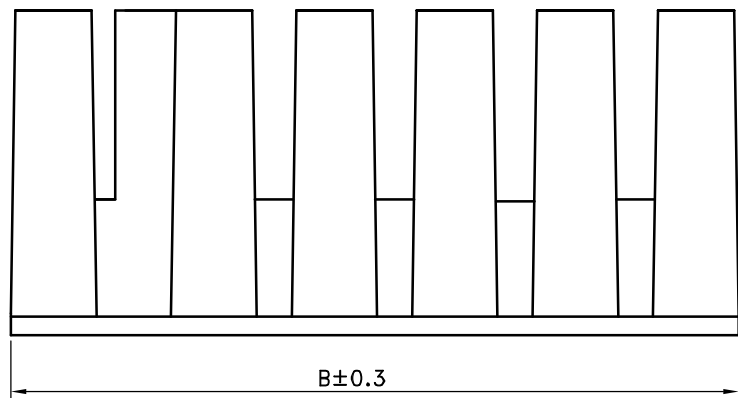
▲ JS-1123-01



JS-1123-02-10.0



JS-1123-02-8.0

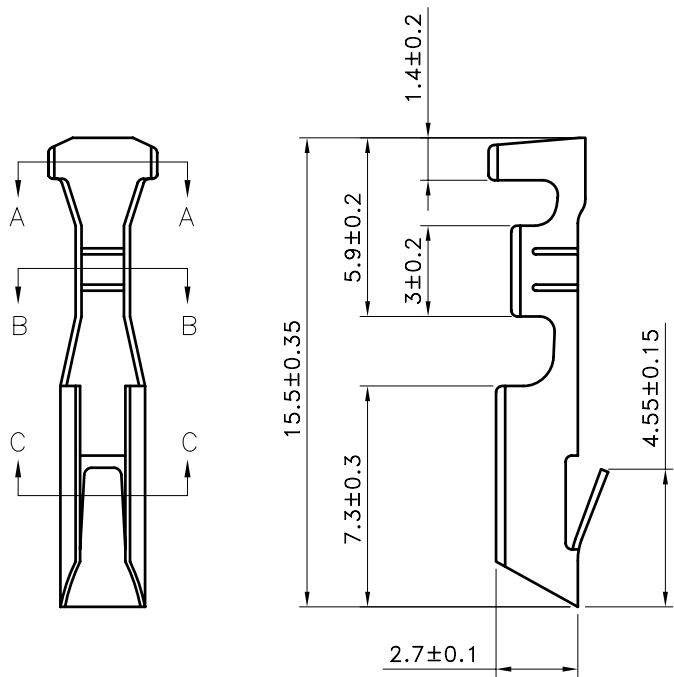


喬訊電子工業股份有限公司
CHYAO SHIUNN
ELECTRONIC INDUSTRIAL LTD.

APPROVED BY	SCALE	UNIT	TOLERANCE	LTR	REVISION RECORD	NAME	DATE	LTR	REVISION RECORD	NAME	DATE
Tom Shih		mm	.0 ±0.30	▲	ECR 200506-018	XXX	2005/06/20	▲			
CHECKED BY	PROJ	VER NO.	.00 ±0.20	▲	ECR 200507-002	XXX	2005/07/13	▲			
Erin Chou		a7	.000 ±0.10	▲	ECR DG 200510-012	XXX	2005/12/24	▲			
DRAWN BY	DATE	SIZE	ANGLE		ECR RoHS Compliant	XXX	2007/01/04	CUSTOMER			
Tom Lee	2017/11/13	A4	0° ±1°	▲	ECR 200506-018	黃科源	2008/11/25				
			.0° ±	▲	更新產品尺寸	吳弘文	2015/06/17				
SHEET			1/1	▲	新增孔徑尺寸	Tom Lee	2017/11/13	Conforms to The RoHS Instruction			

PART NO JS-1123-XX

Disconnectable Crimp Style Connectors for 2.36mm Diameter Pins

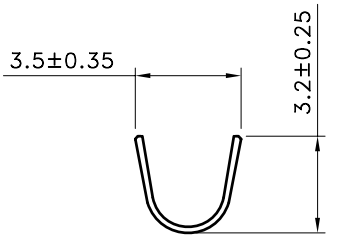


■ SPECIFICATIONS

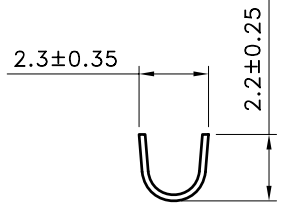
- Voltage Rating : 125V AC/DC
- Current Rating : 3A AC/DC
- Withstanding Voltage : 1,500V AC/minute
- Insulation Resistance : 1,000MΩ min.
- Temperature Range : - 25°C to + 85°C
- Contact Resistance : 20mΩ max.

■ TERMINAL

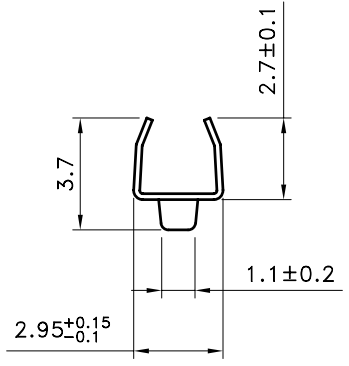
- Part No. : JS-1123-T
- Applicable Wires : AWG# 18 - 26
- Material : Brass
- Finish : Tin Plated
- Thickness : 0.25mm
- Q' ty : 15,000 pcs./Reel



A-A SEC



B-B SEC



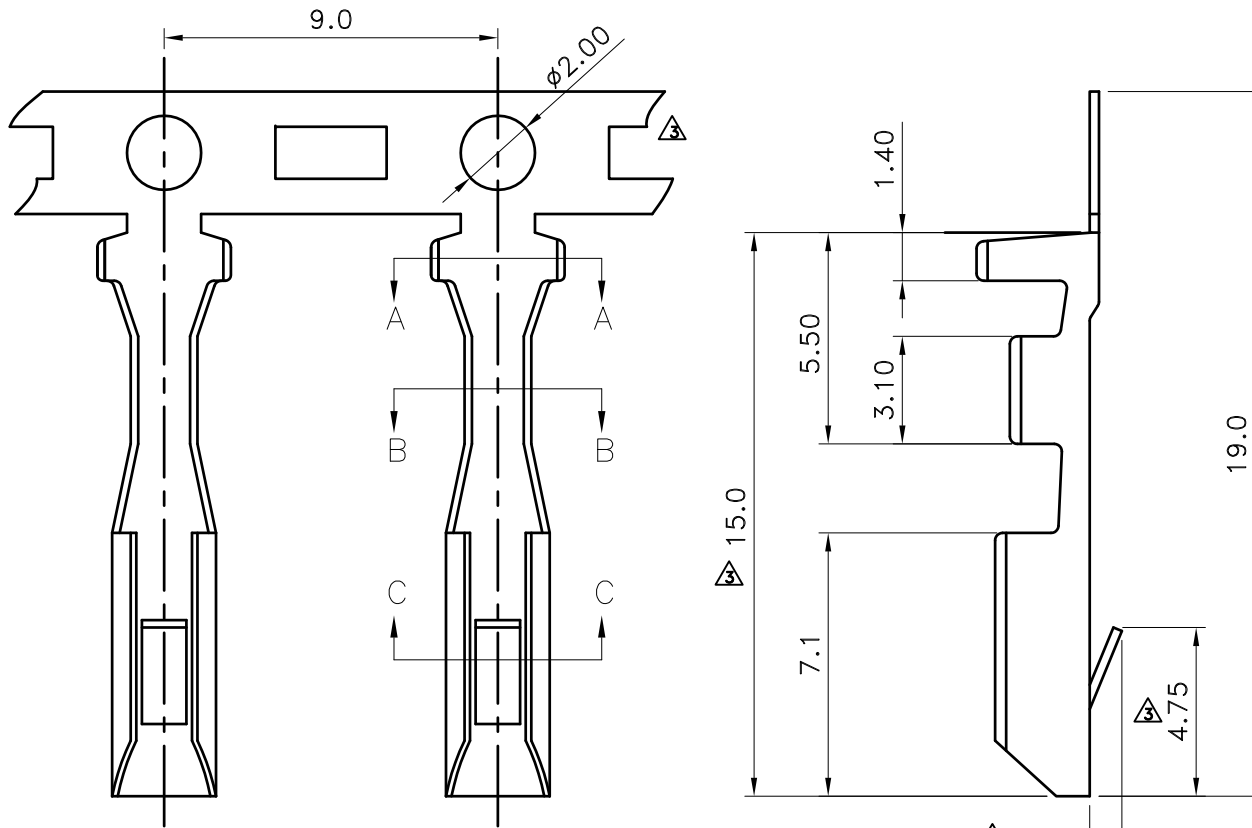
C-C SEC



喬訊電子工業股份有限公司
CHYAO SHIUNN
ELECTRONIC INDUSTRIAL LTD.

PART NO JS-1123-T
8.00mm(ø2.36mm) Crimp Style Connectors Terminal

APPROVED BY	SCALE	UNIT	TOLERANCE	LTR	REVISION RECORD	DATE	LTR	REVISION RECORD	DATE
林宗		mm	.0 ±0.3	ECR	200507-001	05/07/13			
CHECKED BY	PROJ	VER NO.	.00 ±0.2	ECR	RoHS Compliant	06/04/01			
			.000 ±0.1	ECR	200811-021	08/11/25			
DRAWN BY	DATE	SIZE	ALL ±				CUSTOMER		
黃科源	2008/11/25	A4	ANGLE				Conforms to The RoHS Instruction		
			0° ±						
			.0° ±						

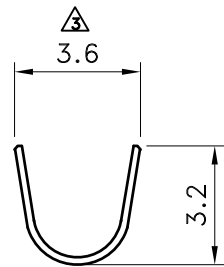


■ SPECIFICATIONS

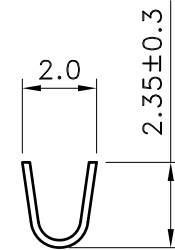
- Voltage Rating : 125V AC/DC
- Current Rating : 3A AC/DC
- Withstanding Voltage : 1,500V AC/minute
- Insulation Resistance : 1,000M Ω min.
- Temperature Range : - 25°C to + 85°C
- Contact Resistance : 20m Ω max.

■ TERMINAL

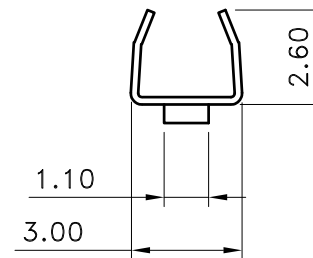
- Part No. : JS-1123-T(L)
- Applicable Wires : AWG# 20 - 24 \triangle
- Material : Brass
- Finish : Tin Plated
- Thickness : 0.25mm
- Q' ty : 6,000 pcs./Reel \triangle



A-A SEC



B-B SEC



C-C SEC



喬訊電子工業股份有限公司

CHYAO SHIUNN
ELECTRONIC INDUSTRIAL LTD.

PART NO JS-1123-T(L)

8.00mm($\phi 2.36$ mm) Crimp Style Connectors Terminal

APPROVED BY	SCALE	UNIT	TOLERANCE	LTR	REVISION RECORD	NAME	DATE	LTR	REVISION RECORD	NAME	DATE
張育瑞		mm	.0 ±0.30	\triangle	ECR RoHS Compliant	邱森鴻	06/04/01	\triangle			
CHECKED BY	PROJ	VER NO.	.00 ±0.20	\triangle	ECR 200811-021	黃科源	08/11/25	\triangle			
周家慶	\oplus \square	a3	.000 ±0.10	\triangle	依實物修正圖面及增加料帶圖示	曾慶根	2015-10-29	\triangle			
DRAWN BY	DATE	SIZE	ANGLE						CUSTOMER		
曾慶根	2015/10/29	A4	0° ±1°	\triangle					Conforms to The RoHS Instruction		
			.0° ±	\triangle							
			SHEET	1/1	\triangle						