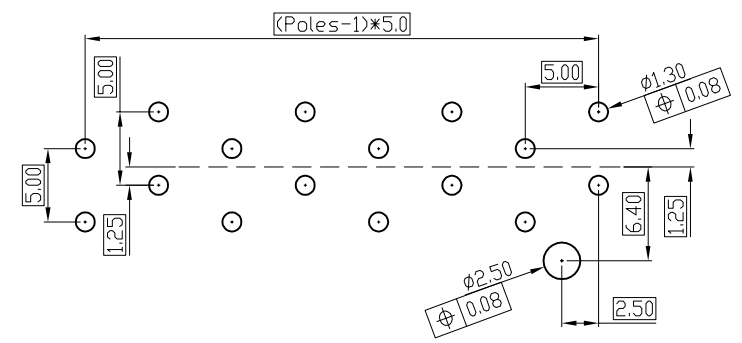
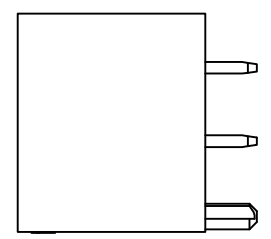
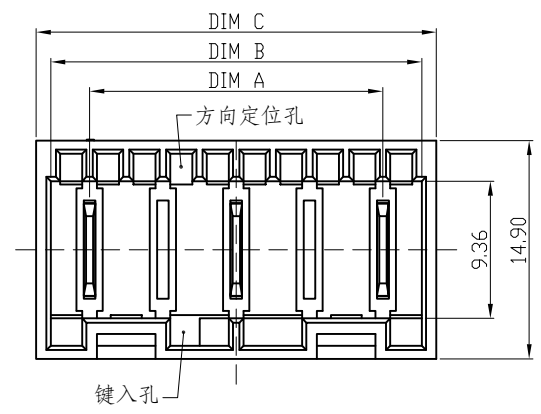


A4

REV.	ECN NO.	REVISIONS	REV.DRAWN	DATE
A		正式版发行	YangSong	2018.05/23
B		定位柱加强	YangSong	2018.07.24
C		更正编码原则	YangSong	2018.10.10
D		新增规格	YangSong	2018.10.23
E		更正尺寸	YangSong	2018.11.21



RECOMMENDED P.C.B LAYOUT(SOLDER SIDE)
GENERAL TOLERANCE: ± 0.05

Part No.: JS-5008-XX-X

Poles: 3;4;5;7

A: Type A

B: Type B

Material:

Base: Nylon66 UL94V-0

Contact: Copper Alloy

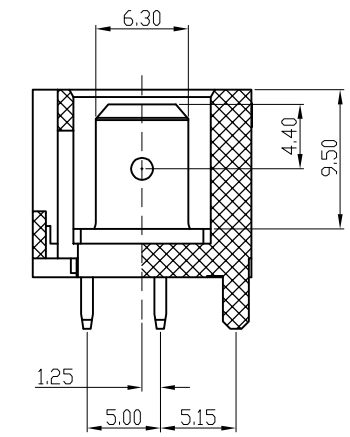
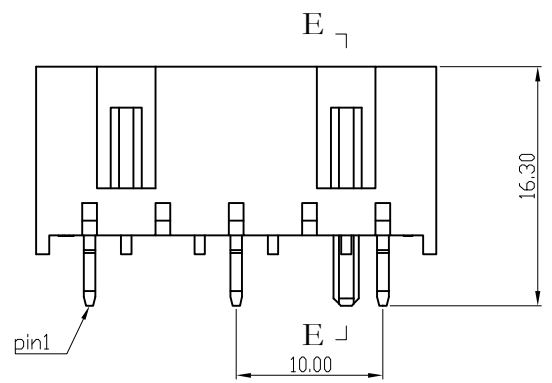
Mating Tin Plated;

(Ni: $>30\mu$ " , Sn: $>100\mu$ ")

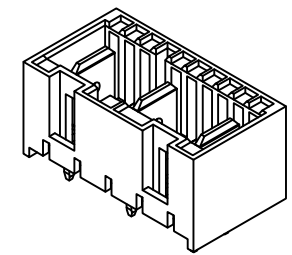
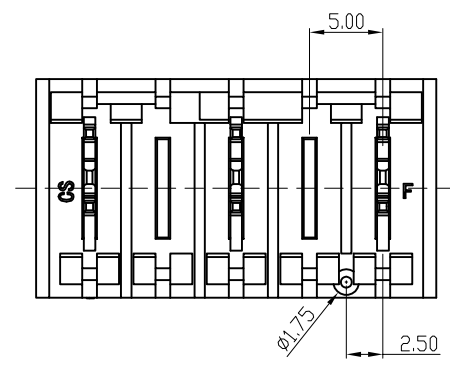
Color: Nature of Material;

Q'ty : Page

Poles	DIM A	DIM B	DIMC
3	10	15.3	17.3
4	15	20.3	22.3
5	20	25.3	27.3
7	30	35.3	37.3



E-E



三维示意图(5pin)

X. ± 0.40	X.* ± 0.50	UNITS: mm	NAME(INTENDED USE):	
.X ± 0.30	.X* ± 0.20	MATERIAL:	CUSTOMER	
.XX ± 0.20	.XX* ± 0.10	SEE NOTE	PART NO.(INTENDED USE):	TITLE:
.XXX ± 0.10	.XXX* \pm	FINISH:	JS-5008-XX	5.0mm connector
THESE DRAWINGS AND SPECIFICATIONS ARE THE PROPERTY OF CHYAO SHIUNN ELECTRONIC CO., LTD. AND SHALL NOT BE REPRODUCED, COPIED OR USED IN ANY MANNER WITHOUT THE PRIOR WRITTEN CONSENT OF CHYAO SHIUNN ELECTRONIC CO., LTD.		SEE NOTE	APPD:	DWG NO.:
		Q'TY:	CHKD:	020-1180-5008-01
		SEE NOTE	DR: YangSong 18-03/30	SCALE SHEET REV.
				2:1 1/2 /



符合环境管理物质

A4

REV.	ECN NO.	REVISIONS	REV.DRAWN	DATE
A		正式版发行	YangSong	2018.05/23
B		定位柱加强	YangSong	2018.07.24
C		更正编码原则	YangSong	2018.10.10
D		新增规格	YangSong	2018.10.23
E		更正尺寸	YangSong	2018.11.21

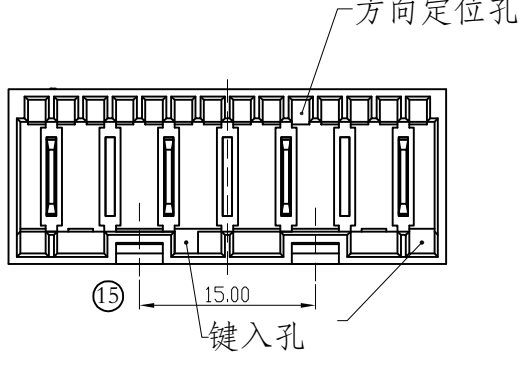
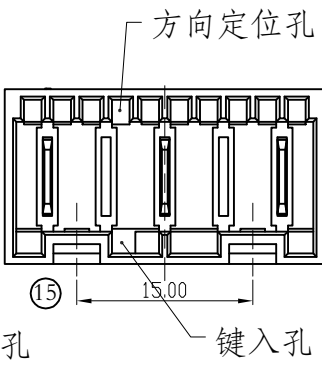
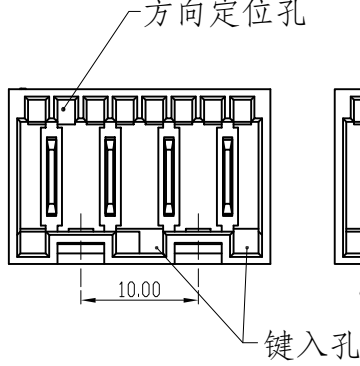
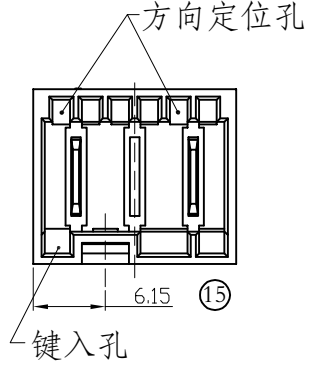
孔位示意图

3pin

4pin

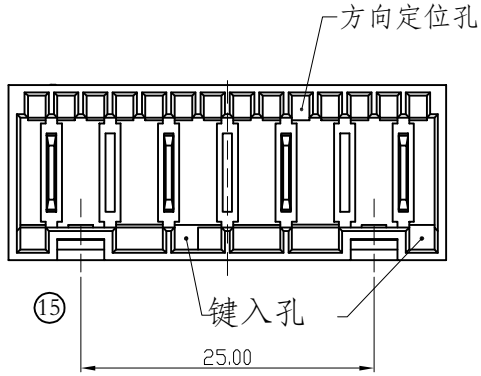
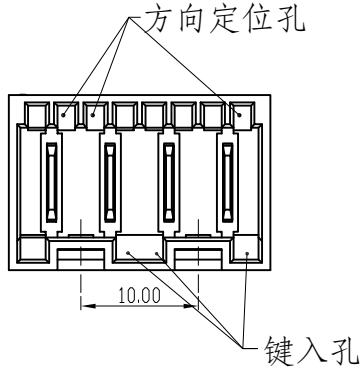
5pin

7pin



A: Type A

B: Type B



X. ± 0.40	X.* ± 0.50*	UNITS: mm	NAME(INTENDED USE):		
.X ± 0.30	.X* ± 0.20*	MATERIAL:	CUSTOMER		
.XX ± 0.20	.XX* ± 0.10*	SEE NOTE	PART NO.(INTENDED USE):	TITLE:	
.XXX ± 0.10	.XXX* ± ---	FINISH:	JS-5008-XX	5.0mm connector	
<small>THESE DRAWINGS AND SPECIFICATIONS ARE THE PROPERTY OF CHYAO SHIUNN ELECTRONIC CO., LTD. AND SHALL NOT BE REPRODUCED, COPIED OR USED IN ANY MANNER WITHOUT THE PRIOR WRITTEN CONSENT OF CHYAO SHIUNN ELECTRONIC CO., LTD.</small>			APPD:	DWG NO.:	
			Q'TY:	020-1180-5008-01	
SEE NOTE	DR:	YangSong 18-03/30	SCALE	SHEET	REV.
			2:1	2/2	/



符合环境管理物质