


■ SPECIFICATIONS

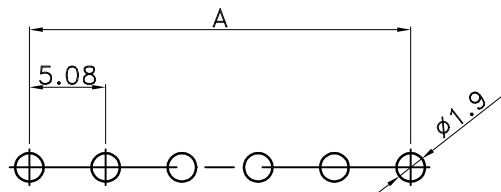
- Current rating : 5A AC/DC
- Withstanding voltage : 1,500V AC/minute
- Insulation resistance : 1,000MΩ min.
- Temperature range : - 25°C to + 85°C
- Contact resistance : 10mΩ max.

■ HOUSING

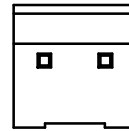
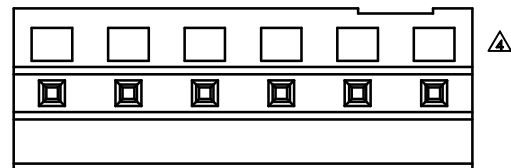
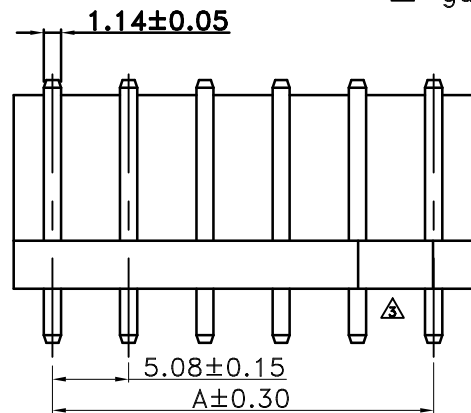
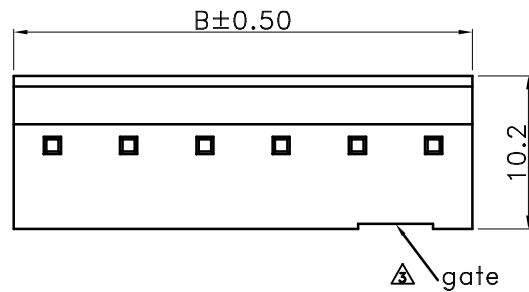
- Part No. : JS-5080-XX
- ⚠ • Poles : 02~12
- RoHS Compliant 2002 /95/EC
- Material : Nylon 66 UL94V-2
- Mating Wafer: JS-5081-XX
JS-5081R-XX
JS-5081R-XX(G)
- Q' ty : 1,000 pcs./Bag

Poles	Part No.	Dimensions(mm)	
		A	B
2	JS-5080-02	5.08	10.16
3	JS-5080-03	10.16	15.24
4	JS-5080-04	15.24	20.32
5	JS-5080-05	20.32	25.40
6	JS-5080-06	25.40	30.48
7	JS-5080-07	30.48	35.56
8	JS-5080-08	35.56	40.64
9	JS-5080-09	40.64	45.72
10	JS-5080-10	45.72	50.80
⚠ 12	JS-5080-12	55.88	60.96

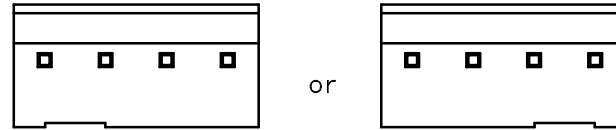
 喬訊電子工業股份有限公司 CHYAO SHIUNN ELECTRONIC INDUSTRIAL LTD.	APPROVED BY	SCALE	UNIT	TOLERANCE	LTR	REVISION RECORD	NAME	DATE	LTR	REVISION RECORD	NAME	DATE
	Tom		mm	.0 ±0.30	⚠	ECR 200505-003	余秀麗	2005/05/15	⚠			
PART NO JS-5080-XX	CHECKED BY	PROJ	VER NO.	.00 ±0.20	⚠	ECR 201004-004	王誠賢	2010/04/12	⚠			
	Tom		a3	.000 ±0.10	⚠	Add JS-5080-12 Dim. table	Erin	2016/07/26	⚠			
5.08mm Disconnectable Crimp Style Connectors Housing	DRAWN BY	DATE	SIZE	ANGLE						CUSTOMER		
	Erin	2016/07/26	A4	0° ±1°	⚠					Conforms to The RoHS Instruction		
				.0° ±	⚠							
				SHEET	1/1	⚠						



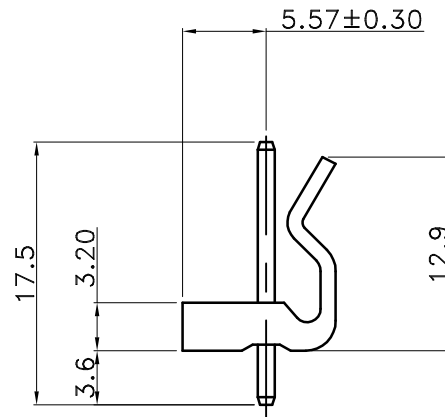
Recommad PCB Layout
General Tolerance ± 0.05



2P



3P~10P



■ SPECIFICATIONS

- Current rating : 7A AC/DC
- Withstanding voltage : 1,500V AC/minute
- Insulation resistance : 1,000M Ω min.
- Temperature range : - 25°C to + 85°C
- Contact resistance : 20m Ω max.

■ WAFER

- Part No. : JS-5081-XX
- Poles : 02~10
- RoHS Compliant 2002/95/EC
- Material : Contact : Brass, Tin or Gold Plated
Base : Nylon 66 UL94V-2
- Mating Housing : JS-5080-XX
- Q' ty : 1,000 pcs./Bag

Poles	Part No.	Dimensions(mm)	
		A	B
2	JS-5081-02	5.08	10.22
3	JS-5081-03	10.16	15.30
4	JS-5081-04	15.24	20.38
5	JS-5081-05	20.32	25.46
6	JS-5081-06	25.40	30.54
7	JS-5081-07	30.48	35.62
8	JS-5081-08	35.56	40.70
9	JS-5081-09	40.64	45.78
10	JS-5081-10	45.72	50.86



喬訊電子工業股份有限公司

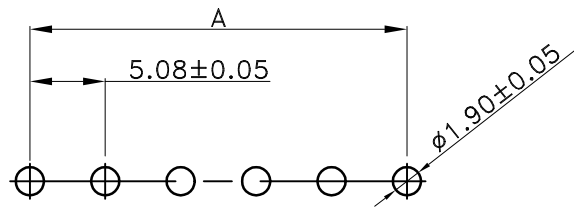
CHYAO SHIUNN
ELECTRONIC INDUSTRIAL LTD.

APPROVED BY	SCALE	UNIT	TOLERANCE	LTR	REVISION RECORD	NAME	DATE	LTR	REVISION RECORD	NAME	DATE
張育瑞		mm	.0 ±0.30	△	XXXX	余秀麗	2005/05/15	△			
CHECKED BY	PROJ	VER NO.	.00 ±0.20	△	ECR201004-002	王誠賢	2010/04/13	△			
周慈雲		a4	.000 ±0.10	△	增加gate 標示	吳弘文	2015/09/02	△			
DRAWN BY	DATE	SIZE	ANGLE	△	增加掬料孔圖示	Erin	2016/07/19				
吳弘文	2016/07/19	A4	0° ±1°	△							
			.0° ±	△							
			SHEET 1/1	△							

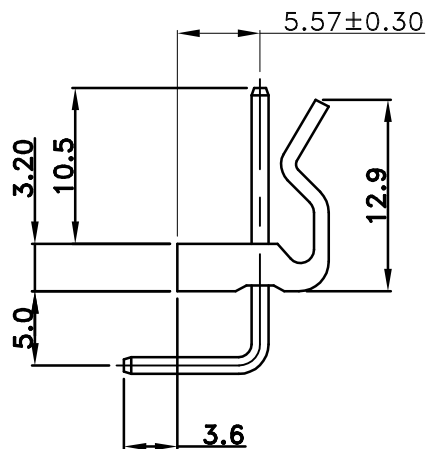
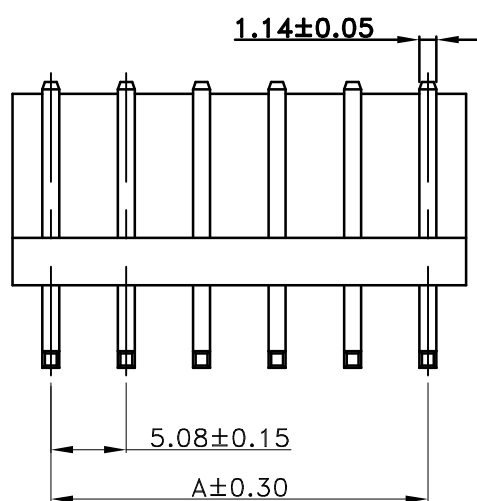
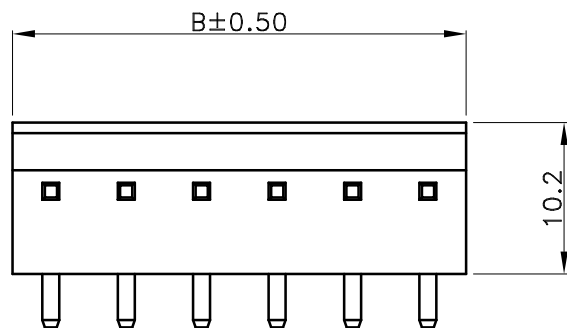
PART NO JS-5081-XX

5.08mm Crimp Style Connectors Wafer

CUSTOMER
Conforms to The RoHS Instruction



Recommand PCB Layout



■ SPECIFICATIONS

- Current rating : 7A AC/DC
- Withstanding voltage : 1,500V AC/minute
- Insulation resistance : 1,000MΩ min.
- Temperature range : - 25°C to + 85°C
- Contact resistance : 20mΩ max.

■ WAFER

- Part No. : JS-5081R-XX
- ⚠ • Poles : 02~12
- RoHS Compliant 2002/95/EC
- Material : Contact : Brass, Tin or Gold Plated
Base : Nylon 66 UL94V-2
- Mating Housing : JS-5080-XX
- Q' ty : 1,000 pcs./Bag

Poles	Part No.	Dimensions(mm)	
		A	B
2	JS-5081R-02	5.08	10.22
3	JS-5081R-03	10.16	15.30
4	JS-5081R-04	15.24	20.38
5	JS-5081R-05	20.32	25.46
6	JS-5081R-06	25.40	30.54
7	JS-5081R-07	30.48	35.62
8	JS-5081R-08	35.56	40.70
9	JS-5081R-09	40.64	45.78
10	JS-5081R-10	45.72	50.86
⚠ 12	JS-5081R-12	55.88	60.96



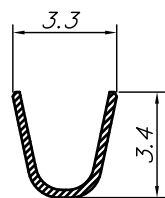
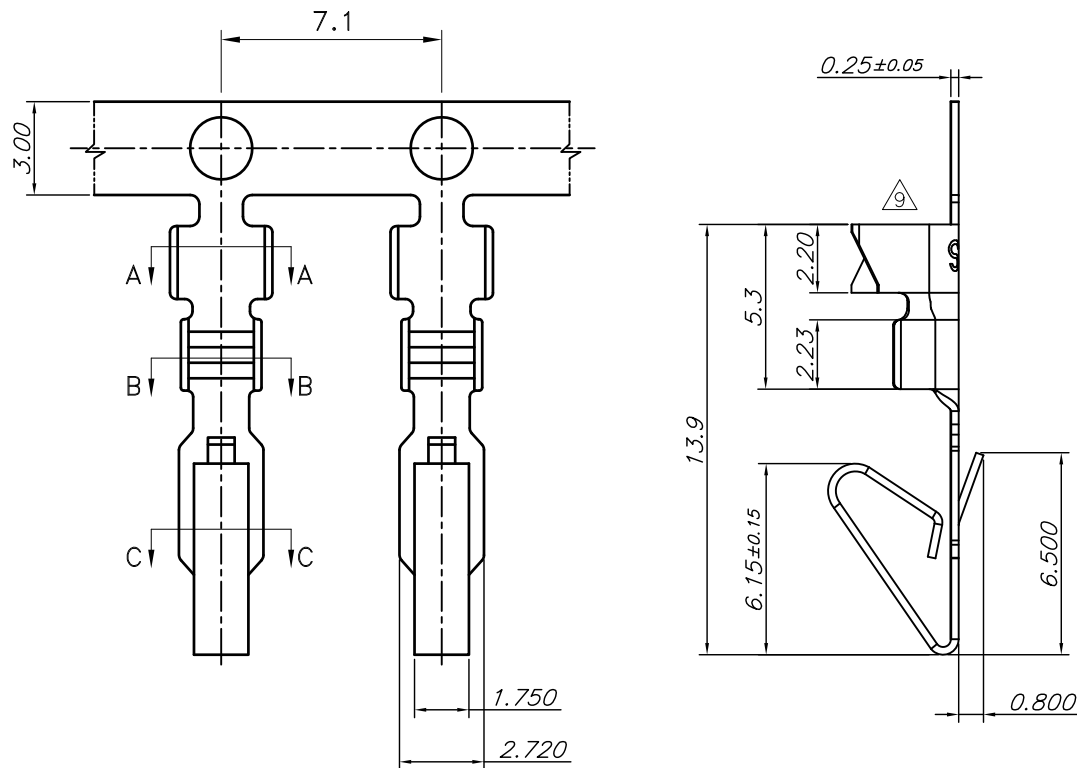
喬訊電子工業股份有限公司

CHYAO SHIUNN
ELECTRONIC INDUSTRIAL LTD.

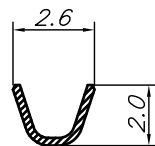
PART NO JS-5081R-XX

5.08mm Disconnectable Crimp Style Connectors Housing

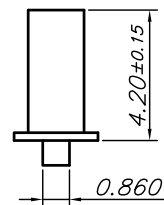
APPROVED BY	SCALE	UNIT	TOLERANCE	LTR	REVISION RECORD	NAME	DATE	LTR	REVISION RECORD	NAME	DATE
Tom		mm	.0 ±0.30	⚠	ECR 200505-003	邱森鴻	2005/05/15	⚠			
CHECKED BY	PROJ	VER NO.	.00 ±0.20	⚠	ECR 201004-002	王誠賢	2010/04/12	⚠			
Tom		a3	.000 ±0.10	⚠	Add JS-5081R-12 Dim. table	Erin	2016/07/26	⚠			
DRAWN BY	DATE	SIZE	ANGLE	⚠					CUSTOMER		
Erin	2016/07/26	A4	0° ±1°	⚠					Conforms to The RoHS Instruction		
			.0° ±	⚠							
			SHEET 1/1	⚠							



A-A SEC



B-B SEC

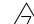



C-C SEC

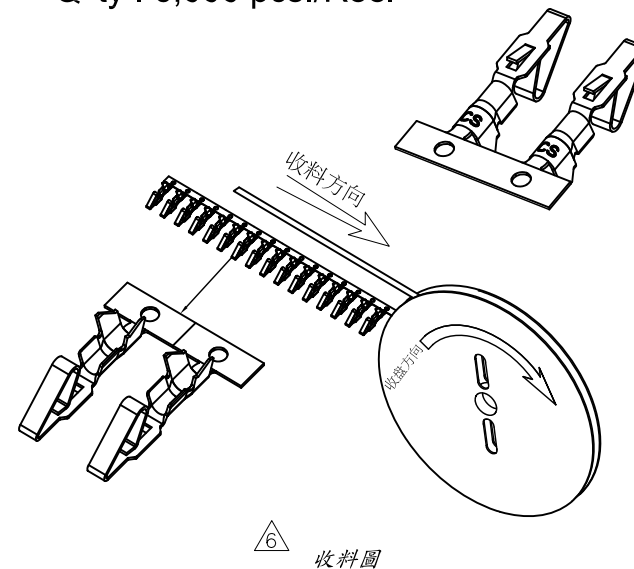
■ SPECIFICATIONS

- Current Rating : 7A AC/DC
- Withstanding Voltage : 1,500V AC/minute
- Insulation Resistance : 1,000MΩ min
- Temperature Range : - 25°C to + 85°C
- Contact Resistance : 20mΩ max

■ TERMINAL

- Part No. : JS-5001 - TX  

- ① T: Standard Process, Brass
- TP: Stamping before plated, Brass
- Applicable Wires : AWG# 18 - 24
- Material : Refer the above narrative
- Finish : Tin Plated
- Thickness : 0.25mm
- Q' ty : 6,000 pcs./Reel



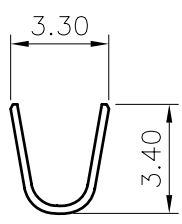
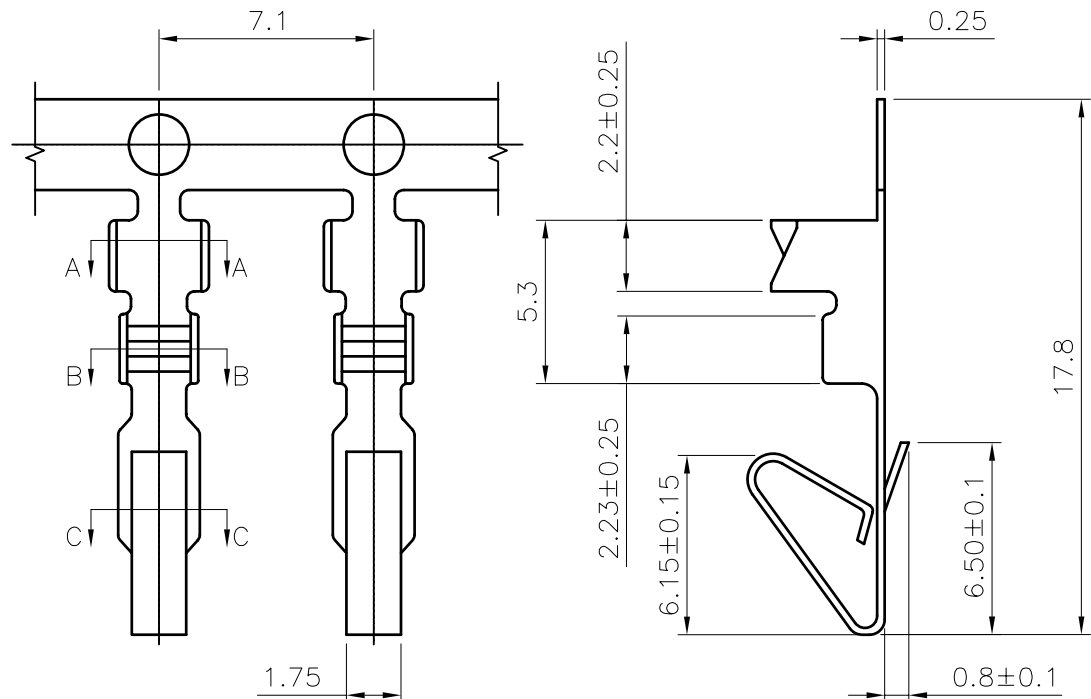
 收料圖



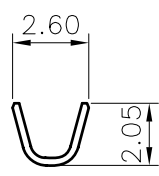
喬訊電子工業股份有限公司
CHYAO SHIUNN
ELECTRONIC INDUSTRIAL LTD.

APPROVED BY	SCALE	UNIT	TOLERANCE	LTR	REVISION RECORD	NAME	DATE	LTR	REVISION RECORD	NAME	DATE
張育瑞	1:1	mm	.0 ±0.30		DG 200607-001	劉蓮花	2006/07/25		增加TP規格選項	謝君	2022/11/17
CHECKED BY	PROJ	VER NO.	.00 ±0.20		DG 200609-006	劉蓮花	2006/09/21		依實物更改圖面	周自強	2023/04/28
劉娜	 	a9	.000 ±0.10		DG 200610-007	劉蓮花	2006/10/24				
DRAWN BY	DATE	SIZE	ANGLE		DG 200612-007	劉蓮花	2006/12/21	CUSTOMER			
周自強	2023/04/28	A4	0° ±1°		ECR201102003	周家慶	2011/02/21				
			.0° ±		整理圖面，增加3D圖面	Jack-S	2011/08/19	Conforms to The RoHS Instruction			
			SHEET 1/1		去掉非環保產品	jack	2012/04/05				

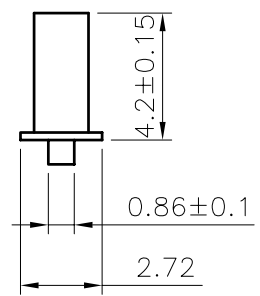
3.96mm Crimp Style Connectors Terminal



A-A SEC



B-B SEC



C-C SEC

■ SPECIFICATIONS

- Voltage Rating : 250V AC/DC
- Current Rating : 5A AC/DC
- Withstanding Voltage : 1,500V AC/minute
- Insulation Resistance : 1,000MΩ min
- Temperature Range : - 25°C to + 85°C
- Contact Resistance : 20mΩ max

■ TERMINAL

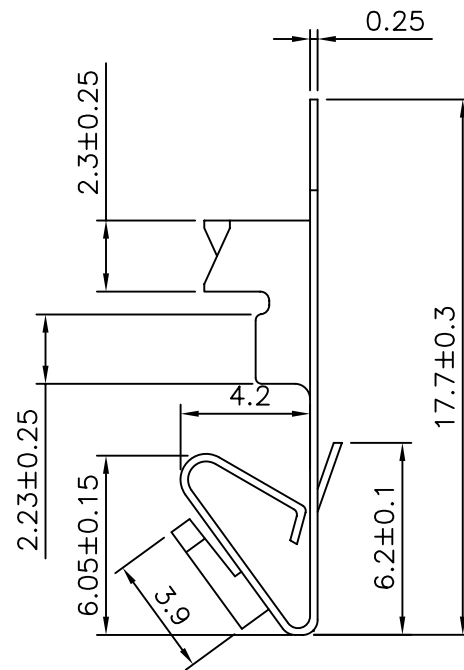
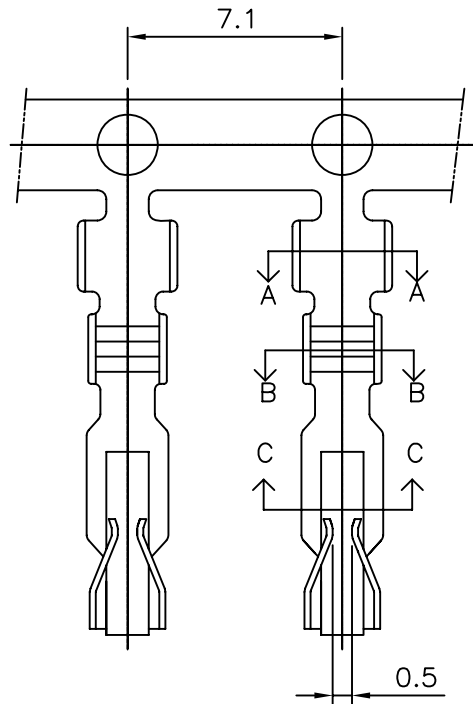
- Part No. : JS-5001-T(G)
- Applicate Wires : AWG# 18 - 24
- Material : Brass
- Finish : Gold Plated
- Thickness : 0.25mm
- Q' ty : 6,000 pcs./Reel



喬訊電子工業股份有限公司
CHYAO SHIUNN
ELECTRONIC INDUSTRIAL LTD.

APPROVED BY	SCALE	UNIT	TOLERANCE	LTR	REVISION RECORD	DATE	LTR	REVISION RECORD	DATE
林宗		mm	.0 ±0.3	ECR	RoHS Compliant	06/04/01			
CHECKED BY	PROJ	VER NO.	.00 ±0.2						
		α	.000 ±0.1						
DRAWN BY	DATE	SIZE	ALL ±				CUSTOMER		
黃科源	2008/08/27	A4	0° ±				Conforms to The RoHS Instruction		
			.0° ±						

PART NO JS-5001-T(G)
 3.96mm Crimp Style Connectors Terminal

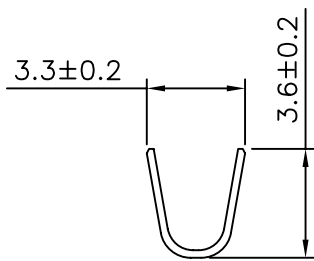


■ SPECIFICATIONS

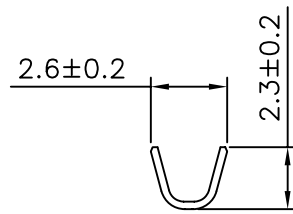
- Voltage Rating : 250V AC/DC
- Current Rating : 4A AC/DC
- Withstanding Voltage : 1,500V AC/minute
- Insulation Resistance : 500M Ω min
- Temperature Range : - 40°C to + 85°C
- Contact Resistance : 10m Ω max

■ TERMINAL

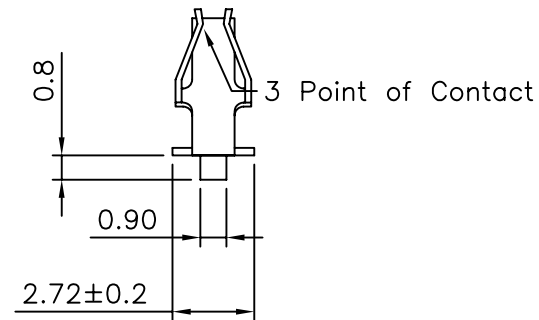
- Part No. : JS-5001-TA
JS-5001-TA : GP Produces
- Applicate Wires : AWG# 18 - 24
- Material : Brass
- Finish : Tin Plated
- Thickness : 0.25mm
- Q' ty : 7,000 pcs./Reel



A-A SEC



B-B SEC



C-C SEC



喬訊電子工業股份有限公司
CHYAO SHIUNN
ELECTRONIC INDUSTRIAL LTD.

APPROVED BY

林陳鏞

SCALE

4:1

UNIT

mm

TOLERANCE

.0 ±0.3

LTR

ECR

REVISION RECORD

DG 200605-009

DATE

06/05/18

LTR

REVISION RECORD

DG 200612-007

DATE

CHECKED BY

PROJ

VER NO.

.000 ±0.1

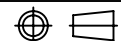
ECR

DG 200612-007

06/12/21

PART NO

JS-5001-TA



2

ALL ±

DRAWN BY

DATE

SIZE

ANGLE

劉蓮花

2006/12/21

A4

0° ±

.0° ±

CUSTOMER

Conforms to The RoHS Instruction

3.96mm Crimp Style Connectors Terminal