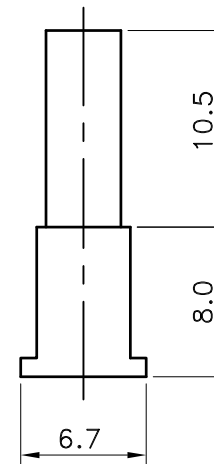
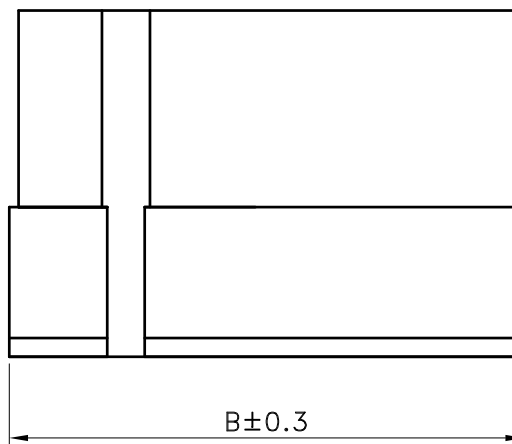
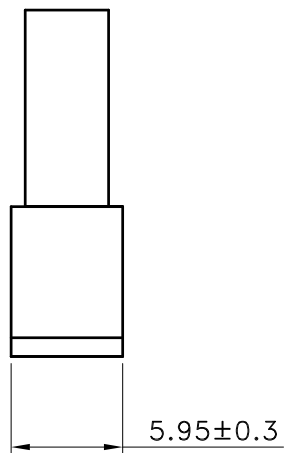
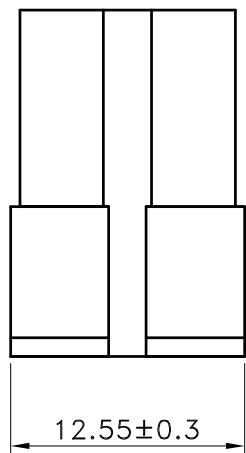


■ SPECIFICATIONS

- Voltage Rating : 125 V AC/DC
- Current Rating : 3A AC/DC
- Withstanding Voltage : 1,500V AC/minute
- Insulation Resistance : 1,000MΩ min
- Temperature Range : - 25°C to + 85°C
- Contact Resistance : 20mΩ max

■ HOUSING

- Part No. : JS-1102-XX
- Poles : 1 - 6
- Material : Nylon 66 UL94V-0
- Q' ty : 1,000 pcs./Bag



△ JS-1102-02

JS-1102-01

△ JS-1102-03~06

Poles	Part No.	Dimensions(mm)	
		A	B
1	JS-1102-01	See the Drawing	
2	JS-1102-02	See the Drawing	
3	JS-1102-03	7.50+(5.00x1)	17.55
4	JS-1102-04	7.50+(5.00x2)	22.55
5	JS-1102-05	7.50+(5.00x3)	27.55
6	JS-1102-06	7.50+(5.00x4)	32.55



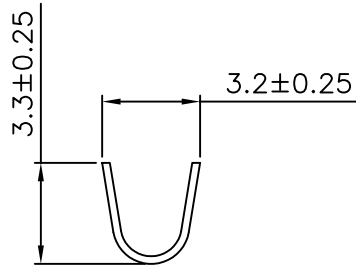
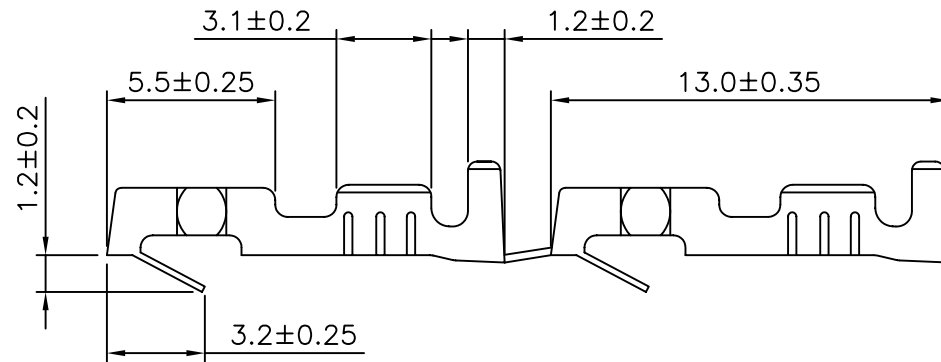
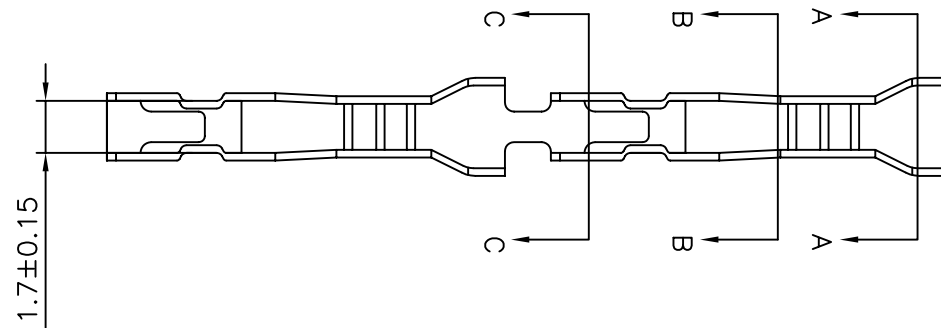
喬訊電子工業股份有限公司

CHYAO SHIUNN  
ELECTRONIC INDUSTRIAL LTD.

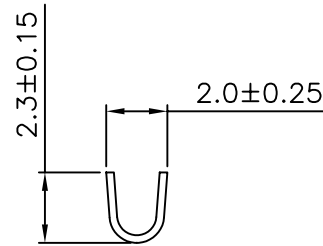
PART NO JS-1102-XX

5.00mm Crimp Style Connectors Housing

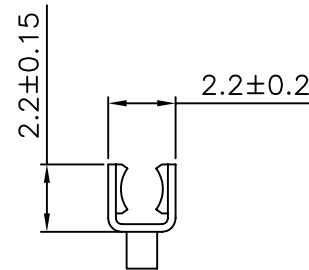
APPROVED BY	SCALE	UNIT	TOLERANCE	LTR	REVISION RECORD	NAME	DATE	LTR	REVISION RECORD	NAME	DATE
張育瑞		mm	.0 ±0.30	△	ECR RoHS Compliant	余秀麗	2007/01/04	△			
CHECKED BY	PROJ	VER NO.	.00 ±0.20	△	ECR 200812-012	黃科源	2008/12/24	△			
周慈雲		a3	.000 ±0.10	△	刪除三角型記號	吳弘文	2016/01/04	△			
DRAWN BY	DATE	SIZE	ANGLE						CUSTOMER		
吳弘文	2016/01/04	A4	0° ±1°	△					Conforms to The RoHS Instruction		
			.0° ±	△							
			SHEET	1/1	△						



A-A SEC



B-B SEC



C-C SEC

■ SPECIFICATIONS

- Voltage Rating : 250V AC/DC
- Current Rating : 5A AC/DC
- Withstanding Voltage : 1,500V AC/minute
- Insulation Resistance : 1,000MΩ min
- Temperature Range : - 25°C to + 85°C
- Contact Resistance : 20mΩ max

■ TERMINAL

- Part No. : JS-1102-T
- JS-1102-T : GP Produces
- Applicable Wires : AWG# 18 - 22
- Material : Brass
- Finish : Tin Plated
- Thickness : 0.25mm
- Q' ty : 20,000 pcs./Reel



喬訊電子工業股份有限公司  
CHYAO SHIUNN  
ELECTRONIC INDUSTRIAL LTD.

PART NO JS-1102-T

5.00mm Crimp Style Connectors Terminal

APPROVED BY

林陳鏢

SCALE

4:1

UNIT

mm

TOLERANCE

.0 ±0.3

.00 ±0.2

.000 ±0.1

ALL ±

ANGLE

0° ±

.0° ±

LTR

ECR

REVISION RECORD

RoHS Compliant

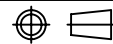
DATE

07/01/04

LTR

REVISION RECORD

DATE



DRAWN BY

邱森鴻

DATE

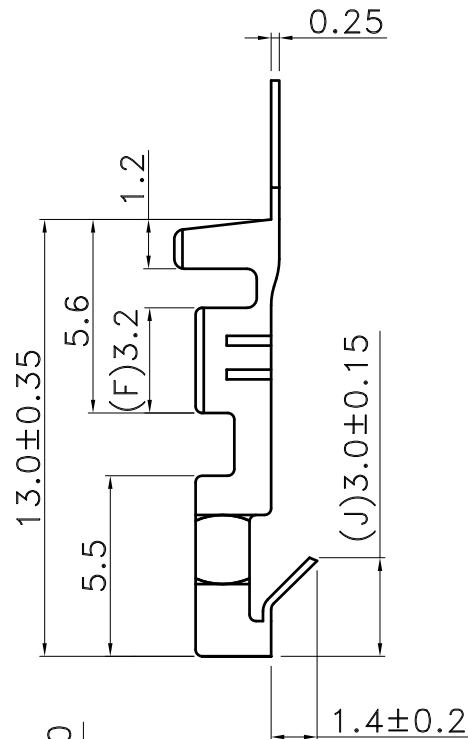
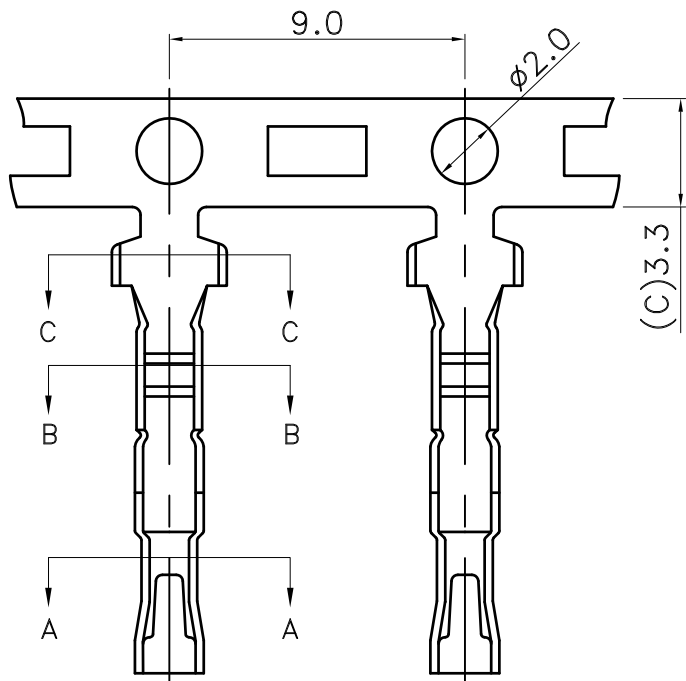
2004/12/31

SIZE

A4

CUSTOMER

Conforms to The RoHS Instruction



■ SPECIFICATIONS

- Current Rating : 5A AC/DC
- Withstanding Voltage : 1,000V AC/minute
- Insulation Resistance : 1,000M $\Omega$  min.
- Temperature Range : - 40°C to + 105°C
- Contact Resistance : 20m $\Omega$  max.

■ TERMINAL

- Part No. : JS-1102-TXX(L)

① Blank: Standard Plated Process

P: Stamping Before Plated

H : High Crimp, Brass

HP : Stamping before Plated, High Crimp, Brass

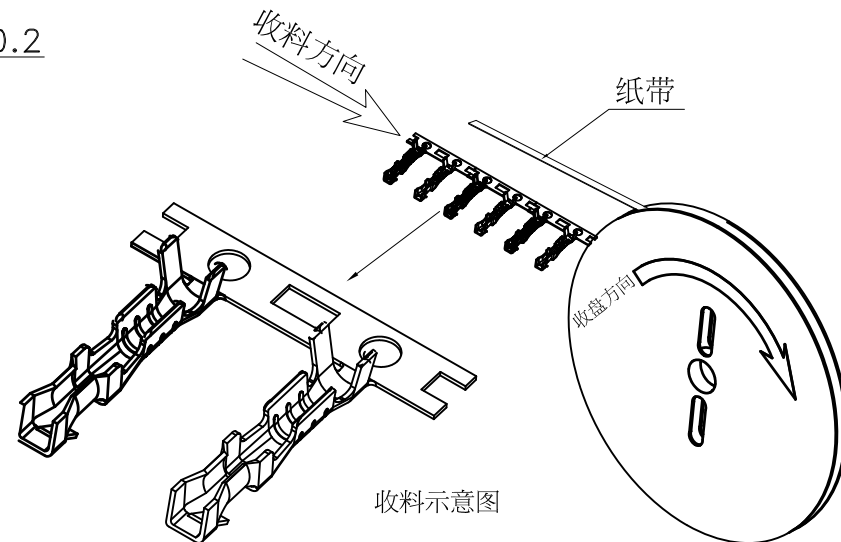
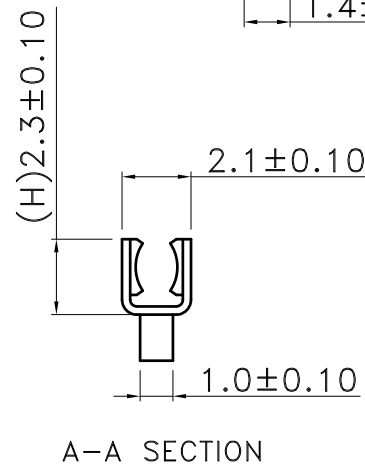
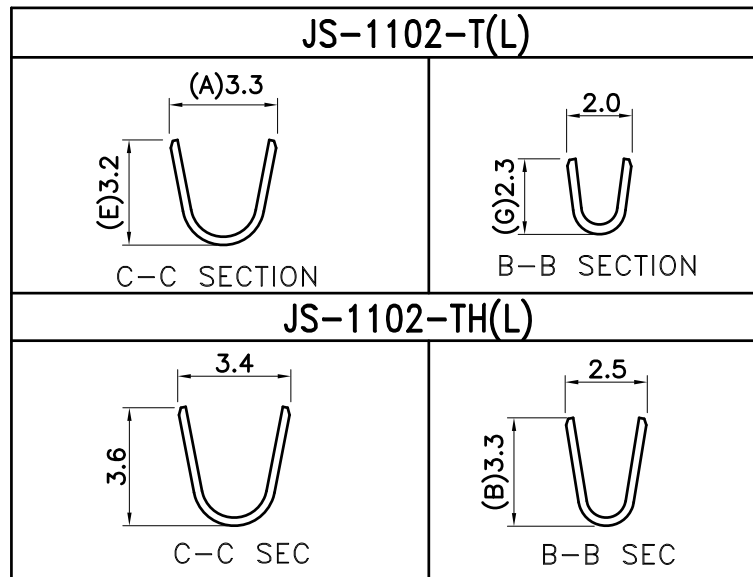
- Material : Brass T=0.25mm

• Finished:

- △ JS-1102-T(L): 80u" min. TIN over 15u" min. NICKEL
- △ JS-1102-TP(L): 120u" min. TIN over 30u" min. NICKEL
- △ JS-1102-TH(L): 80u" min. TIN over 15u" min. NICKEL
- △ JS-1102-THP(L): 120u" min. TIN over 30u" min. NICKEL

• Applicable Wires :

1. Standard: AWG#18~22
  2. High Crimp: AWG#16~20
- Q'TY: 6,000PCS/Reel



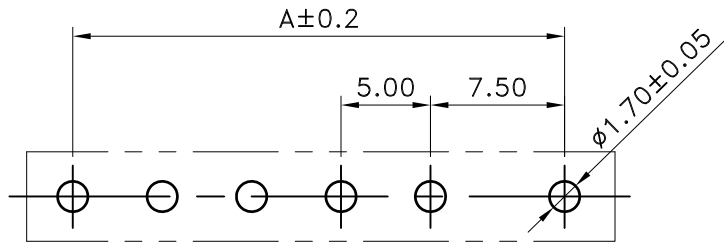
喬訊電子工業股份有限公司

CHYAO SHIUNN  
ELECTRONIC INDUSTRIAL LTD.

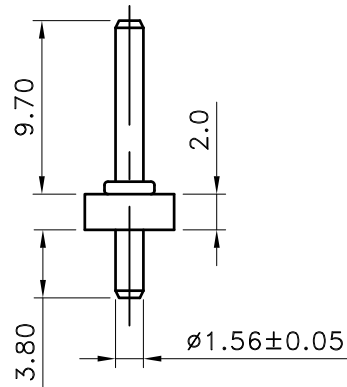
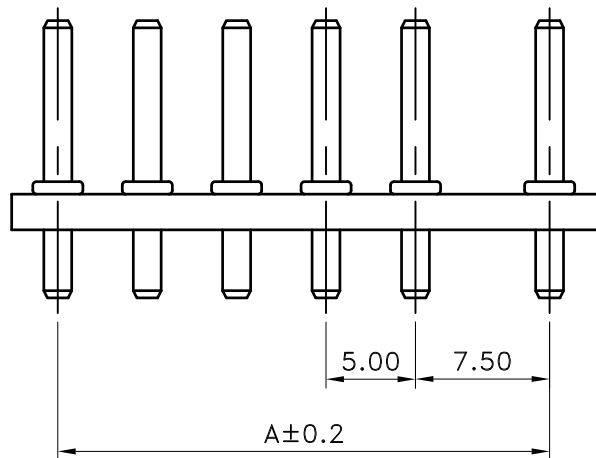
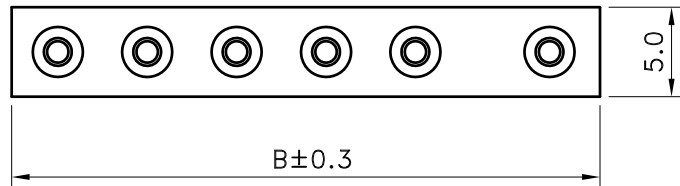
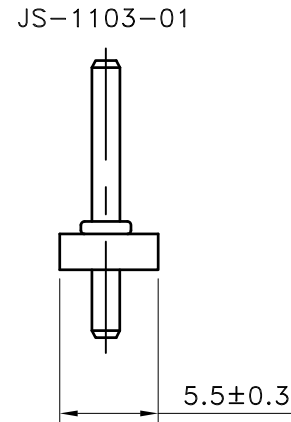
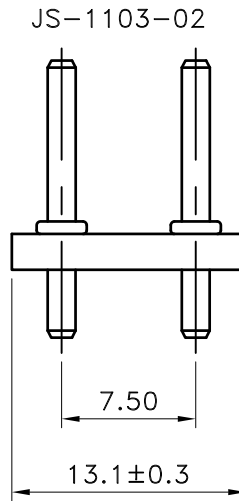
PART NO JS-1102-TX(L)

5.00mm Crimp Style Connectors Terminal

APPROVED BY	SCALE	UNIT	TOLERANCE	LTR	REVISION RECORD	NAME	DATE	LTR	REVISION RECORD	NAME	DATE
張育瑞		mm	.0 ±0.30	△	刪除GP料號	吳弘文	2013/05/24	△			
CHECKED BY	PROJ	VER NO.	.00 ±0.20	△	增加高腳機種	邱建輝	2014/02/21	△			
黃科源		a2	.000 ±0.10	△				△			
DRAWN BY	DATE	SIZE	ANGLE						CUSTOMER		
邱建輝	2014/02/21	A4	0° ±1°	△					Conforms to The RoHS Instruction		
			.0° ±	△							
			SHEET	1/1	△						



Recommended PCB Layout



■ SPECIFICATIONS

- ⚠ Voltage Rating : 250 V AC/DC
- ⚠ Current Rating : 5A AC/DC
- Withstanding Voltage : 1,500V AC/minute
- Insulation Resistance : 1,000MΩ min
- Temperature Range : - 25°C to + 85°C
- Contact Resistance : 20mΩ max

■ WAFER

- Part No. : JS-1103-XX
- Poles : 1 - 6
- Material : Contact : Brass, Tin Plated  
Base : Nylon 66 UL94V-0
- Q'ty : 1,000 pcs./Bag

Poles	Part No.	Dimensions(mm)	
		A	B
1	JS-1103-01	See the Drawing	
2	JS-1103-02	See the Drawing	
3	JS-1103-03	7.50+(5.00x1)	18.10
4	JS-1103-04	7.50+(5.00x2)	23.10
5	JS-1103-05	7.50+(5.00x3)	28.10
6	JS-1103-06	7.50+(5.00x4)	33.10

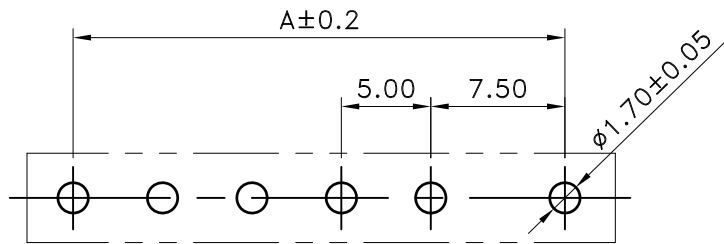


喬訊電子工業股份有限公司  
CHYAO SHIUNN  
ELECTRONIC INDUSTRIAL LTD.

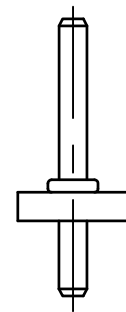
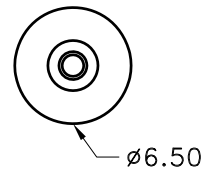
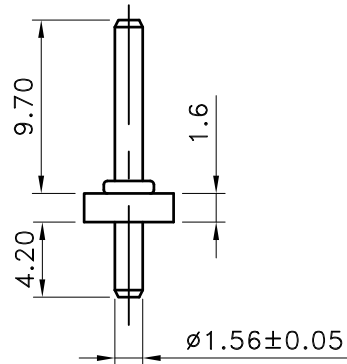
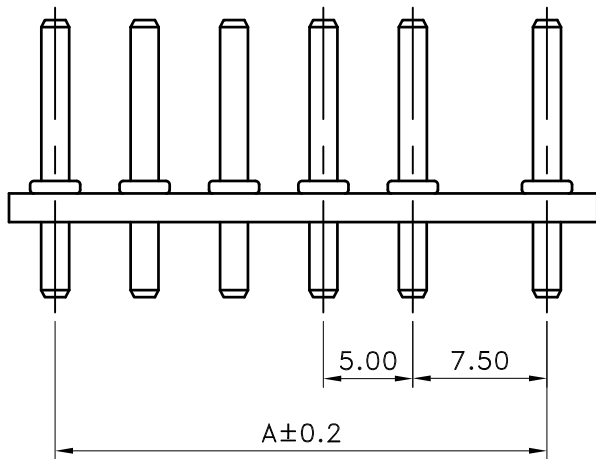
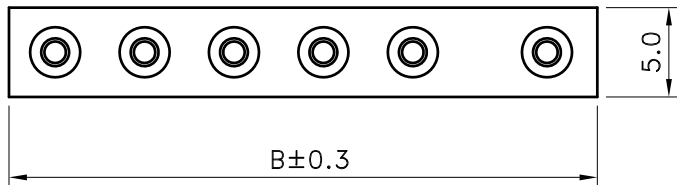
PART NO JS-1103-XX

5.00mm Crimp Style Connectors Wafer

APPROVED BY	SCALE	UNIT	TOLERANCE	LTR	REVISION RECORD	NAME	DATE	LTR	REVISION RECORD	NAME	DATE
張育瑞		mm	.0 ±0.30	△				△			
CHECKED BY	PROJ	VER NO.	.00 ±0.20	△	ECR RoHS Compliant	黃科源	2007/01/04	△			
周慈雲	⊕	a4	.000 ±0.10	△	ECR 200812-012	黃科源	2008/12/24	△			
DRAWN BY	DATE	SIZE	ANGLE		依規格書修定物性表	吳弘文	2014/04/09		CUSTOMER		
吳弘文	2014/04/09	A4	0° ±1°	△					Conforms to The RoHS Instruction		
			.0° ±	△							
			SHEET 1/1	△							



Recommended PCB Layout



JS-1103-01(B)

■ SPECIFICATIONS

- ⚠ Voltage Rating : 250 V AC/DC
- ⚠ Current Rating : 5A AC/DC
- Withstanding Voltage : 1,500V AC/minute
- Insulation Resistance : 1,000MΩ min
- Temperature Range : - 25°C to + 85°C
- Contact Resistance : 20mΩ max

■ WAFER

- Part No. : JS-1103-XX(B)
- Poles : 1 - 6
- Material : Contact : Brass, Tin Plated  
Base : Phenolic Bakelite UL94V-0
- Q' ty : 1,000 pcs./Bag

Poles	Part No.	Dimensions(mm)	
		A	B
1	JS-1103-01(B)	See the Drawing	
2	JS-1103-02(B)	7.50	13.10
3	JS-1103-03(B)	7.50+(5.00x1)	18.10
4	JS-1103-04(B)	7.50+(5.00x2)	23.10
5	JS-1103-05(B)	7.50+(5.00x3)	28.10
6	JS-1103-06(B)	7.50+(5.00x4)	33.10



喬訊電子工業股份有限公司

CHYAO SHIUNN  
ELECTRONIC INDUSTRIAL LTD.

PART NO JS-1103-XX(B)

5.00mm Crimp Style Connectors Wafer

APPROVED BY	SCALE	UNIT	TOLERANCE	LTR	REVISION RECORD	NAME	DATE	LTR	REVISION RECORD	NAME	DATE
張育瑞		mm	.0 ±0.30	⚠	ECR RoHS Compliant	余秀麗	2005/05/15	⚠			
CHECKED BY	PROJ	VER NO.	.00 ±0.20	⚠	ECR 200812-012	黃科源	2008/12/24	⚠			
周慈雲	⊕	a3	.000 ±0.10	⚠	依規格書修定物性表	吳弘文	2014/04/09	⚠			
DRAWN BY	DATE	SIZE	ANGLE						CUSTOMER		
吳弘文	2014/04/09	A4	0° ±1°	⚠					Conforms to The RoHS Instruction		
			.0° ±	⚠							
			SHEET	1/1	⚠						