

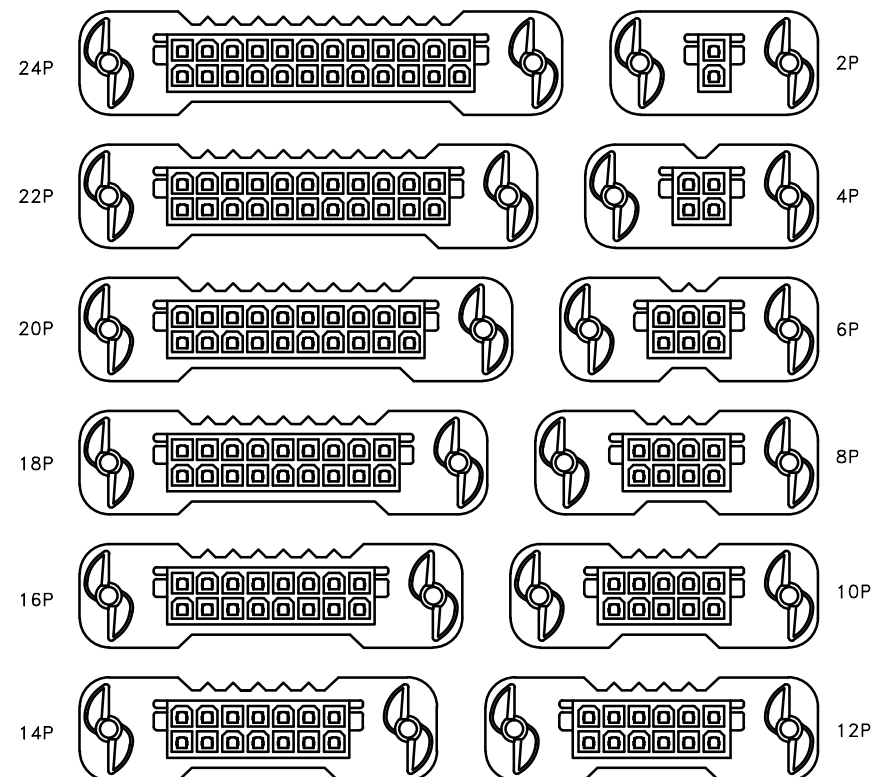
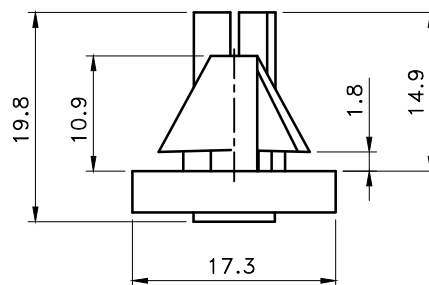
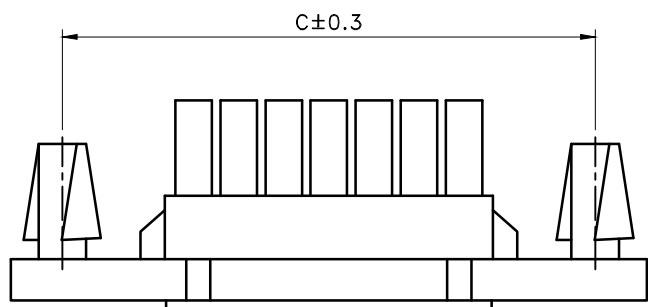
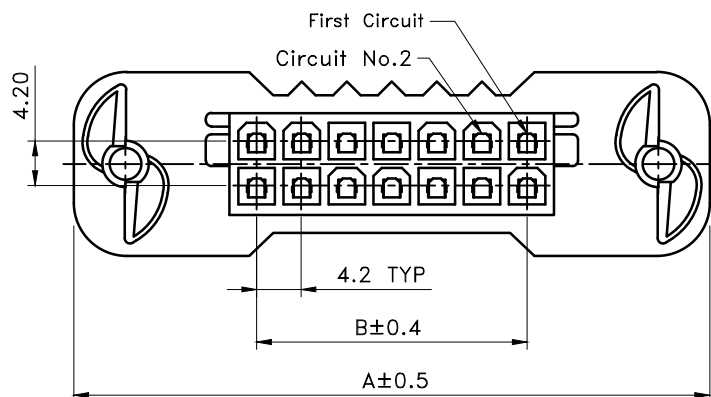
Poles	Part No.	Dimensions(mm)				
		A	B	C	D	E
2	JS-1149IA-02	36.0	—	25.0	13.4	8.7
4	JS-1149IA-04	40.2	4.2	29.2	17.6	12.9
6	JS-1149IA-06	44.4	8.4	33.4	21.8	17.1
8	JS-1149IA-08	48.6	12.6	37.6	26.0	21.3
10	JS-1149IA-10	52.8	16.8	41.8	30.2	25.5
12	JS-1149IA-12	57.0	21.0	46.0	34.4	29.7
14	JS-1149IA-14	61.2	25.2	50.2	38.6	33.9
16	JS-1149IA-16	65.4	29.4	54.4	42.8	38.1
18	JS-1149IA-18	69.6	33.6	58.6	47.0	42.3
20	JS-1149IA-20	73.8	37.8	62.8	51.2	46.5
22	JS-1149IA-22	78.0	42.0	67.0	55.4	50.7
24	JS-1149IA-24	82.2	46.2	71.2	59.6	54.9

■ SPECIFICATIONS


- Voltage Rating : 600 V AC
- Current Rating : 9A Max
- Withstanding Voltage : 1,500V AC/minute
- Insulation Resistance : 1,000MΩ min
- Temperature Range : - 40°C to + 105°C
- Contact Resistance : 20mΩ max

■ RECEPTACLE HOUSING

- Part No. : JS-1149IA - XX
- Poles : 2~24(BMI Type)
- Material : Nylon 66 UL94V-0 ; Color : White
- Q' ty : 1,000 pcs./Bag

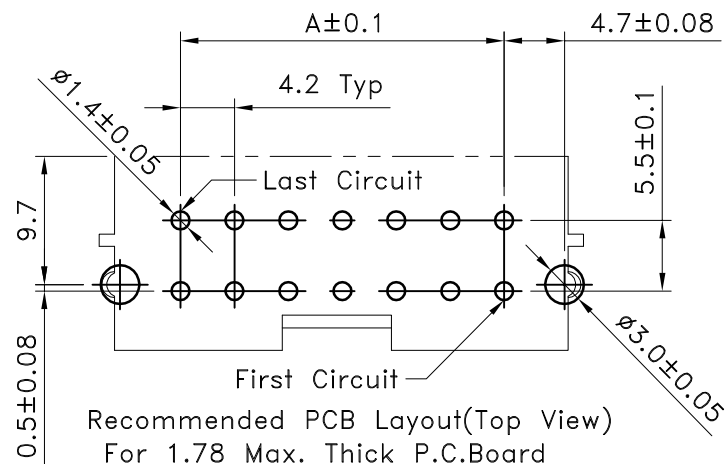


 喬訊電子工業股份有限公司
CHYAO SHIUNN
ELECTRONIC INDUSTRIAL LTD.

APPROVED BY	SCALE	UNIT	TOLERANCE	LTR	REVISION RECORD	NAME	DATE	LTR	REVISION RECORD	NAME	DATE
張育瑞		mm	.0 ±0.30	▲	RoHS Compliant	黃科源	2007/01/05	▲			
CHECKED BY	PROJ	VER NO.	.00 ±0.20	▲	200811-023	黃科源	2008/11/26	▲			
簡鴻彬		a4	.000 ±0.10	▲	200812-011	黃科源	2008/12/11	▲			
DRAWN BY	DATE	SIZE	ANGLE	▲	200908-007	黃科源	2009/08/18	▲			
李柏昇	2016/08/03	A4	0° ±1°	▲	依ECR-00000160修改產品敘述	李柏昇	2016/08/03	▲			
			0° ±	▲				▲			
			SHEET	1/1							

CUSTOMER
Conforms to The RoHS Instruction

PART NO JS-1149IA-XX
4.20mm D/R Power Connectors Receptacle Housing(BMI Type)



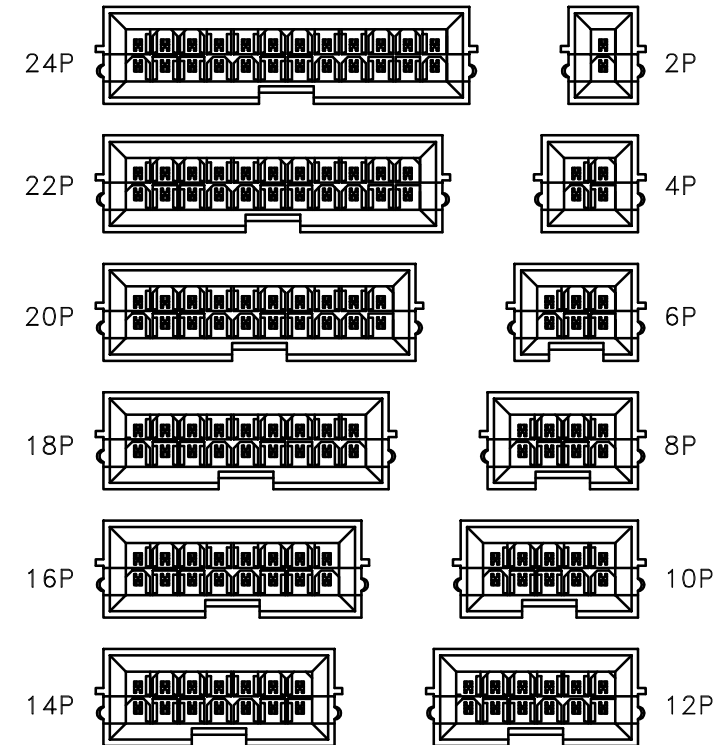
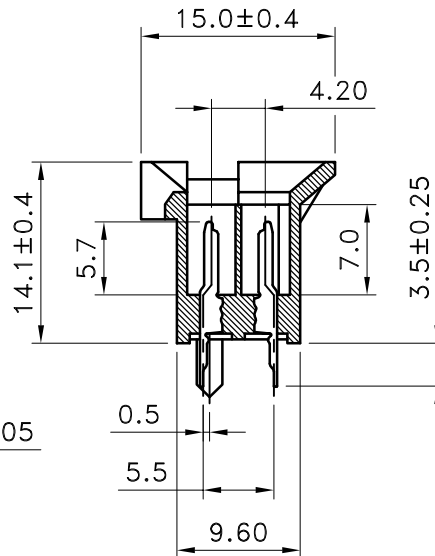
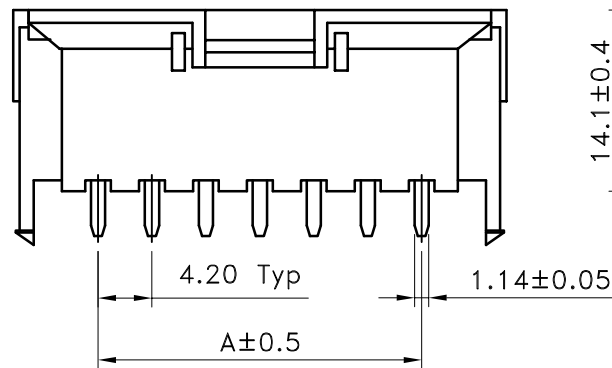
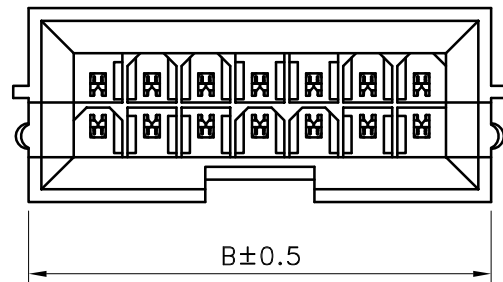
Poles	Part No.	Dimensions(mm)	
		A	B
2	JS-1151I-02	—	11.00
4	JS-1151I-04	4.20	15.20
6	JS-1151I-06	8.40	19.40
8	JS-1151I-08	12.60	23.60
10	JS-1151I-10	16.80	27.80
12	JS-1151I-12	21.00	32.00
14	JS-1151I-14	25.20	36.20
16	JS-1151I-16	29.40	40.60
18	JS-1151I-18	33.60	44.60
20	JS-1151I-20	37.80	49.00
22	JS-1151I-22	42.00	53.20
24	JS-1151I-24	46.20	57.20

■ SPECIFICATIONS

- Voltage Rating : 600 V AC
- Current Rating : 9A Max
- Withstanding Voltage : 1,500V AC/minute
- Insulation Resistance : 1,000M Ω min
- Temperature Range : - 40 $^{\circ}$ C to + 105 $^{\circ}$ C
- Contact Resistance : 20m Ω max

■ WAFER

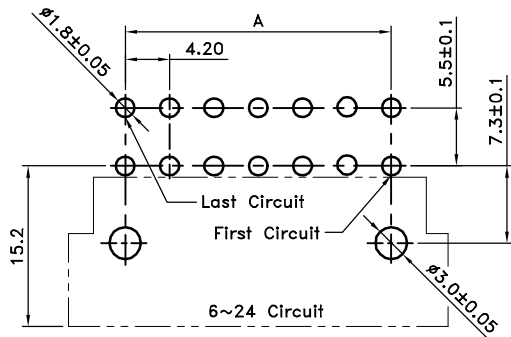
- Part No. :JS-1151I-XX
- Poles : 2~24(BMI Type)
- Material : Contact : Brass, Tin Plated
Base : Nylon 66 UL94V-0 ; Color : White
- Q' ty : 1,000 pcs./Bag



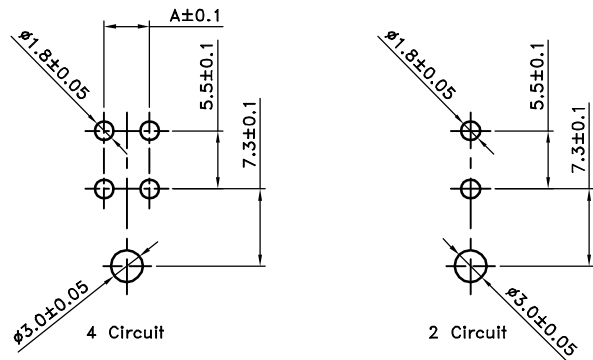
喬訊電子工業股份有限公司
CHYAO SHIUNN
ELECTRONIC INDUSTRIAL LTD.

APPROVED BY	SCALE	UNIT	TOLERANCE	LTR	REVISION RECORD	NAME	DATE	LTR	REVISION RECORD	NAME	DATE
張育瑞		mm	.0 ±0.30	▲	RoHS Compliant	黃科源	2007/01/05	▲			
CHECKED BY	PROJ	VER NO.	.00 ±0.20	▲	200812-011	黃科源	2008/12/11	▲			
簡鴻彬		a3	.000 ±0.10	▲	200904-004	黃科源	2009/04/13	▲			
DRAWN BY	DATE	SIZE	ANGLE	▲	依ECR-00000160修改產品敘述	李柏昇	2016/08/03	▲	CUSTOMER		
李柏昇	2016/08/03	A4	0° ±1°	▲				▲	Conforms to The RoHS Instruction		
			.0° ±	▲				▲			
			SHEET 1/1	▲				▲			

PART NO JS-1151I-XX
4.20mm D/R Power Connectors Wafer(BMI Type)

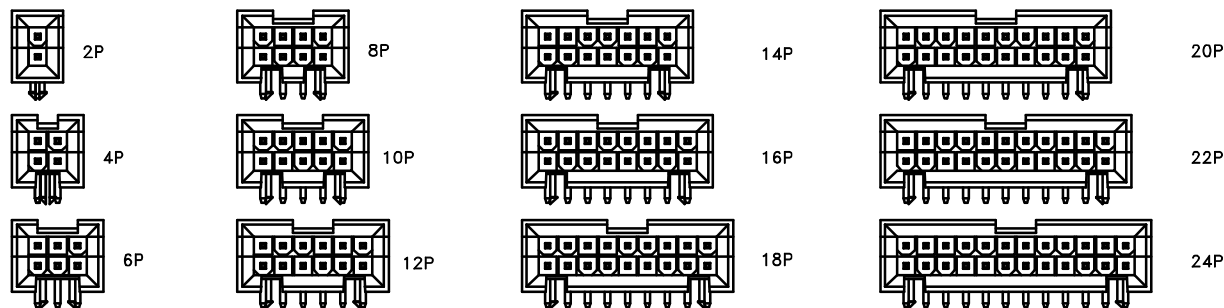
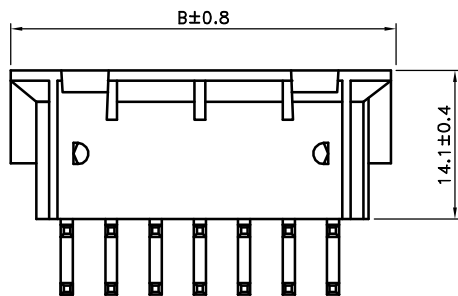
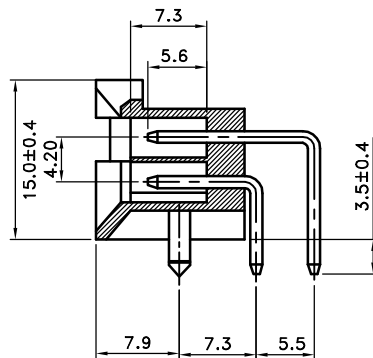
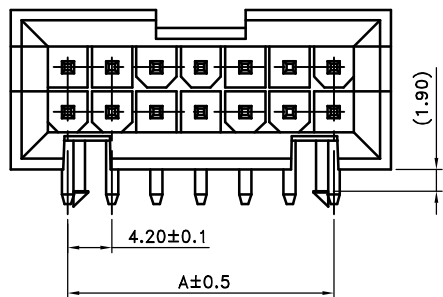


Recommended PCB Layout(Top View)
For 1.78 Max.Thick P.C.Board



- SPECIFICATIONS
- Current Rating : 9A Max
 - Withstanding Voltage : 1,500V AC/minute
 - Insulation Resistance : 1,000M Ω min
 - Temperature Range : - 40 $^{\circ}$ C to + 105 $^{\circ}$ C
 - Contact Resistance : 20m Ω max
- WAFER
- ▲ Part No. : JS-1153I - XX(XX)XX
① ② ③
 - ① Poles : 2~24(BMI Type)
 - ② Plated: Blank: Tin Plated
G0: Gold Plated
 - ▲ ③ Base Color: Blank:White
BK:Black
 - Material : Contact : Brass
Base : Nylon 66 UL94V-0
 - Q' ty : 1,000 pcs./Bag

Poles	Dimensions(mm)	
	A	B
02	—	11.00
04	4.20	15.20
06	8.40	19.40
08	12.60	23.60
10	16.80	27.80
12	21.00	32.00
14	25.20	36.20
16	29.40	40.60
18	33.60	44.60
20	37.80	49.00
22	42.00	53.20
24	46.20	57.20



 喬訊電子工業股份有限公司
CHYAO SHIUNN
ELECTRONIC INDUSTRIAL LTD.

PART NO JS-1153I-XX
4.20mm Crimp Style Connectors

APPROVED BY	SCALE	UNIT	TOLERANCE	LTR	REVISION RECORD	NAME	DATE	LTR	REVISION RECORD	NAME	DATE
Tom Shih		mm	.0 ±0.30	▲	RoHS Compliant		070105	▲			
CHECKED BY	PROJ	VER NO.	.00 ±0.20	▲	200812-011		081211	▲			
Erin Chou		a5	.000 ±0.10	▲	200904-004		090413	▲			
DRAWN BY	DATE	SIZE	ANGLE	▲	公差更改		090413		CUSTOMER		
Tom Lee	2018/03/15	A4	0° ±1°	▲	增加G0電鍍規格	黃廣珍	130118				
			.0° ±	▲	增加膠殼黑色選項	Tom Lee	180315		Conforms to The RoHS Instruction		
			SHEET 1/1	▲							