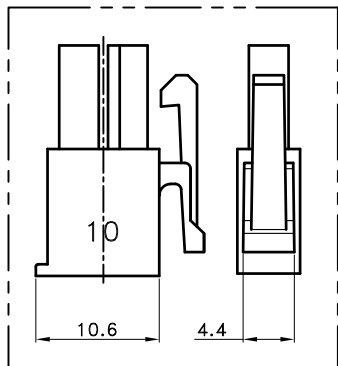
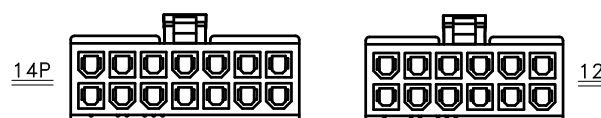
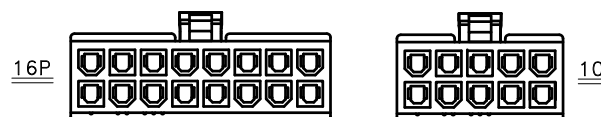
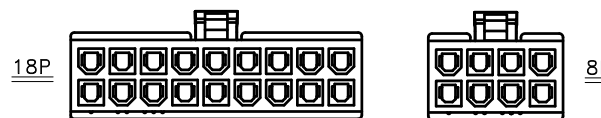
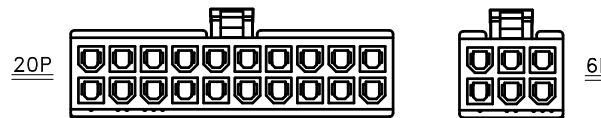
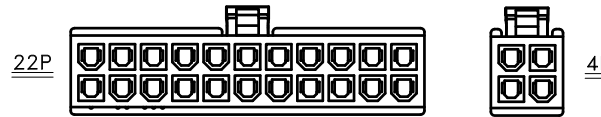
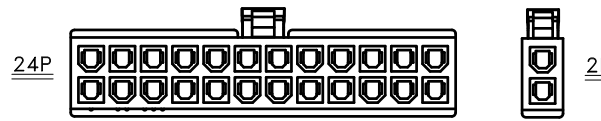


BACK VIEW



2P



■ SPECIFICATIONS

- Current Rating : 7A AC/DC
- Withstanding Voltage : 1,500V AC/minute
- Insulation Resistance : 1,000M Ω min
- Temperature Range : -40°C to +105°C
- Contact Resistance : 20m Ω max

■ HOUSING

- Part No. : JS-1149-XX(XX)XX

Ordering Code

- ① Poles No. : 02~24
- ② Material

- Blank : Nylon 66 UL94V-2
- V0 : Nylon 66 UL94V-0
- GW : Nylon66 UL94V-0(Glow Wire)

- ③ Color

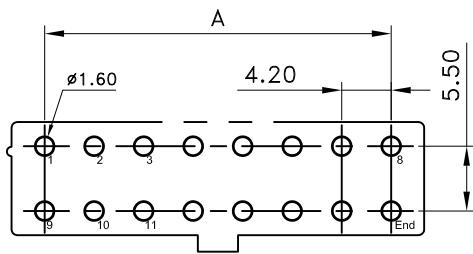
- Blank : Nature
- BK : Black (For V0 , V2)
- R : Red
- BU : Blue
- GN : Green

| Poles | Dimensions(mm) | |
|-------|----------------|------------|
| | A | B |
| 2 | ---- | 5.60±0.30 |
| 4 | 4.20±0.15 | 9.80±0.30 |
| 6 | 8.40±0.20 | 14.00±0.30 |
| 8 | 12.60±0.20 | 18.20±0.30 |
| 10 | 16.80±0.30 | 22.40±0.40 |
| 12 | 21.00±0.30 | 26.60±0.40 |
| 14 | 25.20±0.30 | 30.80±0.40 |
| 16 | 29.40±0.30 | 35.00±0.40 |
| 18 | 33.60±0.40 | 39.20±0.50 |
| 20 | 37.80±0.40 | 43.40±0.50 |
| 22 | 42.00±0.40 | 47.60±0.50 |
| 24 | 46.20±0.40 | 51.80±0.50 |


 喬訊電子工業股份有限公司
CHYAO SHIUNN
ELECTRONIC INDUSTRIAL LTD.

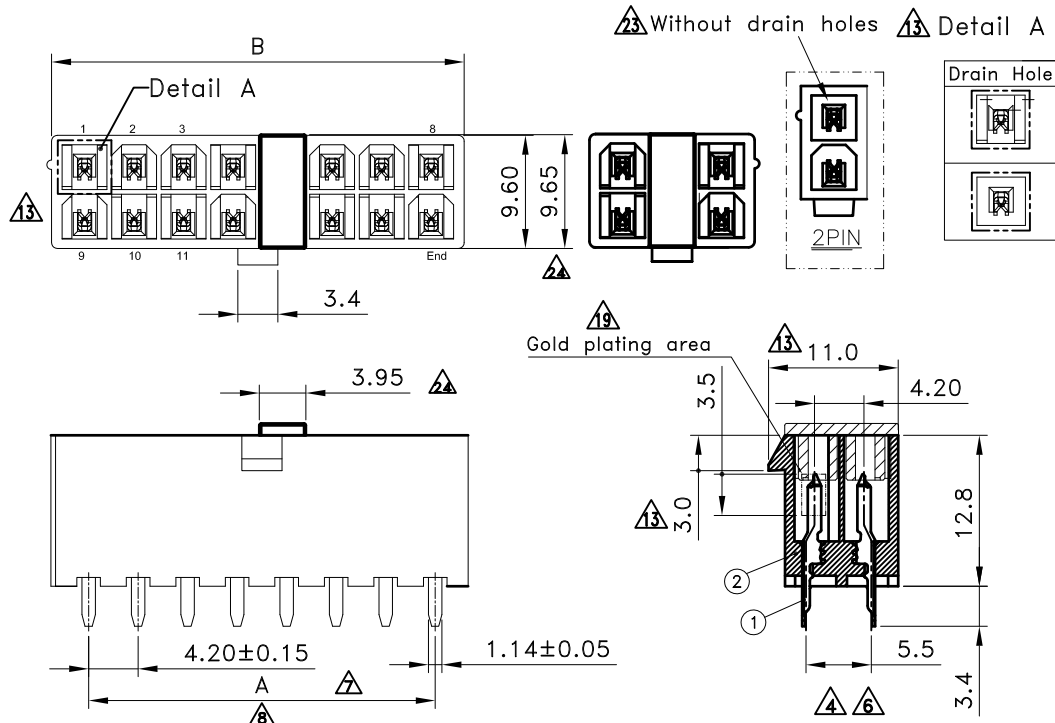
PART NO JS-1149-XX(XX)XX
4.20mm Dual-Row Wire to Board Power Connector

| APPROVED BY | SCALE | UNIT | TOLERANCE | LTR | REVISION RECORD | NAME | DATE | LTR | REVISION RECORD | NAME | DATE |
|-------------|------------|---------|------------|-----|-----------------|------|------------|----------------------------------|-----------------|-------|------------|
| Tom Shih | | mm | .0 ±0.30 | △ | 圖面遺失 | | | △ | 新增GW材質選項 | 曾慶根 | 2017/03/06 |
| CHECKED BY | PROJ | VER NO. | .00 ±0.20 | △ | 圖面遺失 | 劉蓮花 | 2007/08/10 | △ | 修正尺寸標註 | Eddie | 2020/03/26 |
| 張育瑞 | | a11 | .000 ±0.10 | △ | 修改圖面內容 | 黃科源 | 2008/07/23 | △ | 新增GN顏色選項 | 劉娜 | 2020/04/09 |
| DRAWN BY | DATE | SIZE | ANGLE | | 增加尺寸標柱 | 黃科源 | 2008/08/28 | CUSTOMER | | | |
| 劉娜 | 2020/04/09 | A4 | 0° | ±1° | 圖面合併；尺寸做修改 | 王誠賢 | 2011/07/29 | | | | |
| | | | 0° | ± | 增加一個材質選項 | 林謙豪 | 2012/01/06 | | | | |
| | | | SHEET | 1/1 | 變更SM材質料號及增加顏色 | 林宛盈 | 2016/05/30 | Conforms to The RoHS Instruction | | | |



Recommended PCB Layout
General tolerance ±0.05

| Poles | Dimensions(mm) | | | |
|-------|----------------|-----------|-------|-----------|
| | A | Tolerance | B | Tolerance |
| 2 | ----- | ±0.30 | 5.60 | ±0.30 |
| 4 | ----- | | 9.80 | |
| 6 | 8.40 | | 14.00 | |
| 8 | 12.60 | ±0.40 | 18.20 | ±0.40 |
| 10 | 16.80 | | 22.40 | |
| 12 | 21.00 | | 26.60 | |
| 14 | 25.20 | ±0.50 | 30.80 | ±0.50 |
| 16 | 29.40 | | 35.00 | |
| 18 | 33.60 | | 39.20 | |
| 20 | 37.80 | ±0.50 | 43.40 | ±0.50 |
| 22 | 42.00 | | 47.60 | |
| 24 | 46.20 | | 51.80 | |



| Drain Hole | Part Code |
|------------|-------------|
| | JS-1150-XX |
| | JS-1150H-xx |

■ SPECIFICATIONS

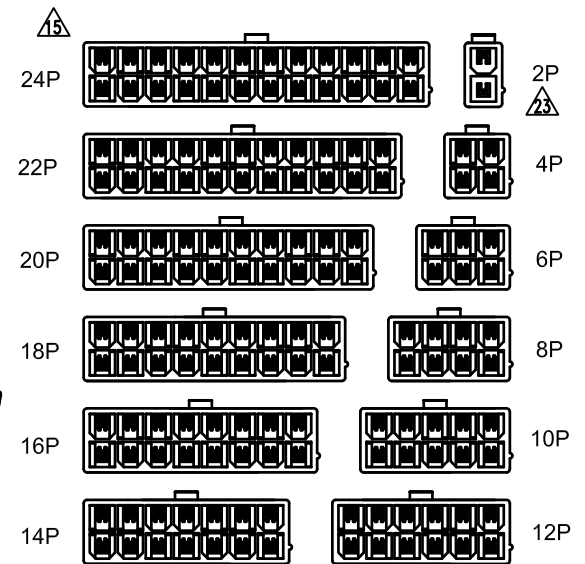
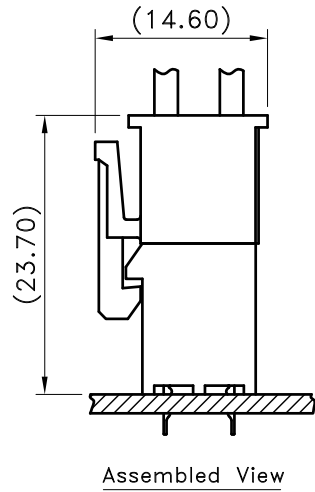
- Current Rating: 7A AC/DC
- Withstanding Voltage: 1,500V AC/minute
- Insulation Resistance: 1,000M Ω min
- Temperature Range: -40°C to +105°C
- Contact Resistance: 20m Ω max

■ WAFER

- Part No. : JS-1150 X - XX (XX) XX XX XX
- Product Code ① ② ③ ④ ⑤ ⑥
- ① Drain Hole Type
Blank : Drain Hole
H : W/O Drain Hole
- ② Poles : 02~24
- ③ Base Material
Blank : Nylon 66 UL94V-2; COLOR: NATURE
V0 : Nylon 66 UL94V-0 ; COLOR: WHITE
GW : Nylon 66 UL94V-0 (Glow Wire)
- ④ Color : Blank : Nature (Standard)
BK : Black (For V0 , V2)
R : Red
BU : Blue
Y : Yellow

- ⑤ Packing Type
Blank : Bag
/A : Tube
/T : Tray
/R : Reel&Tape (With Cap)

- ⑥ Plated : Blank: 120u" min. Tin over 35u" min. NICKEL
NM: 50u" min. Matte Tin plating over 50u" NICKEL
G4: 15u" min. Au over 50u" min. NICKEL
G5: 120u" min. Tin over 35u" min. NICKEL Gold plating area 30u"
- Material :
1. Contact : Brass, Tin Plated
2. Base : Refer the above options
3. Cap : Refer the above options

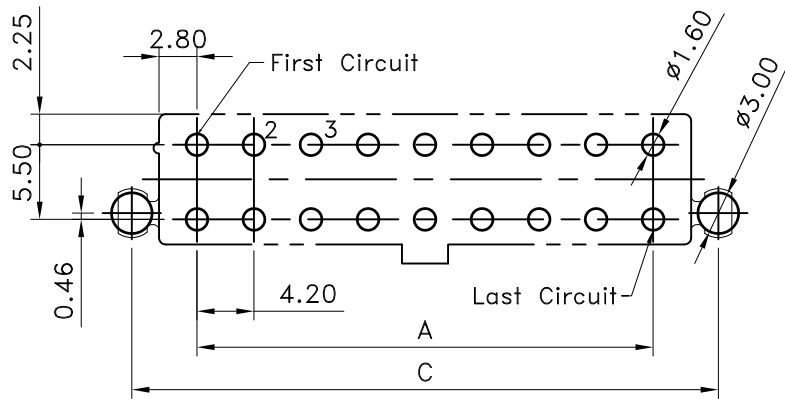


喬訊電子工業股份有限公司
CHYAO SHIUNN
ELECTRONIC INDUSTRIAL LTD.

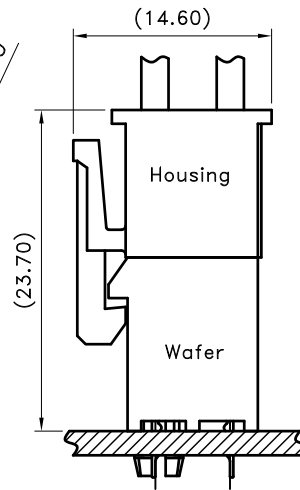
| APPROVED BY | SCALE | UNIT | TOLERANCE | LTR | REVISION RECORD | NAME | DATE | LTR | REVISION RECORD | NAME | DATE |
|-------------|------------|---------|------------|-----|-----------------------|-------|------------|----------------------------------|-----------------|-------|------------|
| 施威光 | | mm | .0 ±0.30 | ▲ | 增加PIN針鍍霧錫料號 | 鄭小嬌 | 2014/03/04 | ▲ | 增加霧錫電鍍規格標示 | Eddie | 2020/08/11 |
| CHECKED BY | PROJ | VER NO. | .00 ±0.20 | ▲ | 刪除模號標示 | 鄭小嬌 | 2014/03/04 | ▲ | 修正2PIN圖示 | 謝君 | 2021/07/23 |
| 劉娜 | | α24 | .000 ±0.10 | ▲ | 刪除霧錫料號, 新增G料號, 顏色 | 林宛盈 | 2016/05/30 | ▲ | 增加蓋帽卷裝選項 | 謝君 | 2023/08/21 |
| DRAWN BY | DATE | SIZE | ANGLE | | 依 ECR-00000160 修改產品敘述 | 李柏昇 | 2016/08/05 | CUSTOMER | | | |
| 謝君 | 2023/08/21 | A4 | 0° | ±1° | 增加鍍金30u規格選項&GW材質 | 劉娜 | 2019/02/26 | | | | |
| | | | .0° | ± | 增加鍍15u" Au和霧錫規格選項 | 謝君 | 2019/11/12 | | | | |
| | | | SHEET | 1/1 | 更正電鍍規格霧錫, 鍍底50u" | Eddie | 2019/11/15 | Conforms to The RoHS Instruction | | | |

PART NO JS-1150X-XX(XX)XX

4.20mm D/R WIRE TO BOARD POWER CONNECTOR

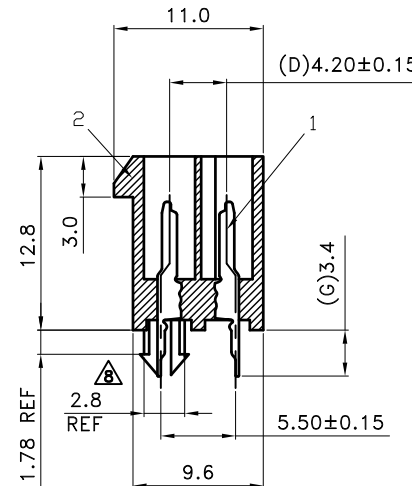
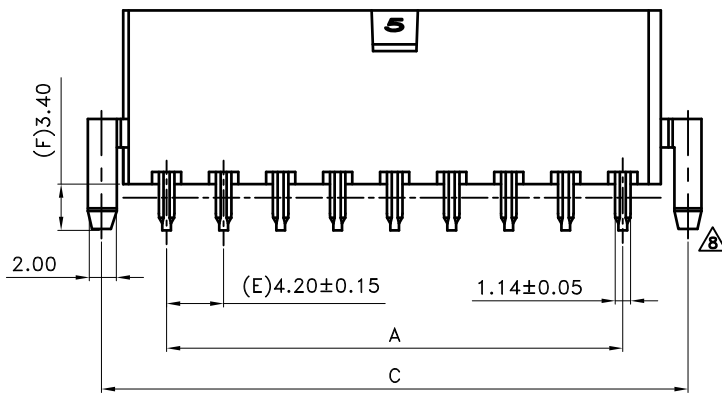
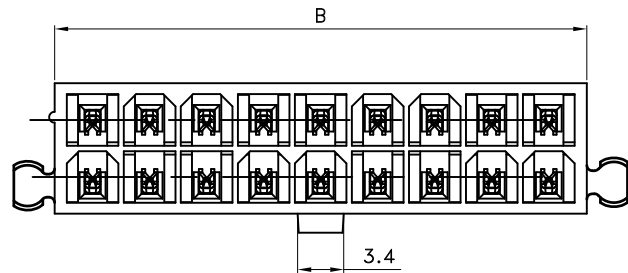


Recommended PCB Layout
TOLERANCE ±0.05



Recommended Assembly

| Poles | Dimensions(mm) | | |
|-------|----------------|------------|------------|
| | A | B | C |
| 2 | ---- | 5.60±0.30 | 9.40±0.30 |
| 4 | 4.20±0.15 | 9.80±0.30 | 13.60±0.30 |
| 6 | 8.40±0.20 | 14.00±0.30 | 17.80±0.30 |
| 8 | 12.60±0.20 | 18.20±0.30 | 22.00±0.30 |
| 10 | 16.80±0.30 | 22.40±0.40 | 26.20±0.30 |
| 12 | 21.00±0.30 | 26.60±0.40 | 30.40±0.30 |
| 14 | 25.20±0.30 | 30.80±0.40 | 34.60±0.30 |
| 16 | 29.40±0.30 | 35.00±0.40 | 38.80±0.30 |
| 18 | 33.60±0.40 | 39.20±0.50 | 43.00±0.30 |
| 20 | 37.80±0.40 | 43.40±0.50 | 47.20±0.30 |
| 22 | 42.00±0.40 | 47.60±0.50 | 51.40±0.30 |
| 24 | 46.20±0.40 | 51.80±0.50 | 55.60±0.30 |

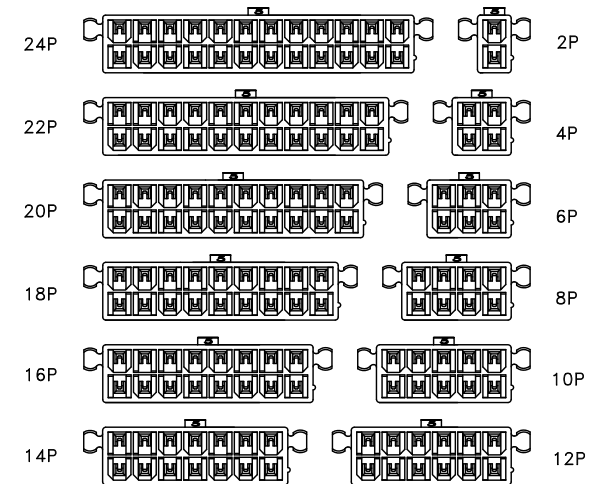


■ SPECIFICATIONS

- Current Rating : 7A AC/DC
- Withstanding Voltage : 1,500V AC/minute
- Insulation Resistance : 1,000MΩ min
- Temperature Range : - 40°C to + 105°C
- Contact Resistance : 20mΩ max

■ WAFER

- Part No. : JS - 1151 - XX(XX)XX XX
- ① Poles : 02 ~ 24
- ② Material : Blank : Nylon 66 UL94V-2
V0 : Nylon 66 UL94V-0
PA : PA46 UL94V-0;(Part No. : 02 ~ 10P)
GW : Nylon 66 UL94V-0 (Glow Wire)
- ③ Color : Blank : Nature
R : Red
BU : Blue
Y : Yellow
- ④ Package : Blank : bag
/A:Tube(04~24PIN)
/T:Tray(06~24PIN)
- Poles : 2-24(Straight)
- Material : 1.Contact : Brass, Tin Plated
2.Base : Refer the above narrative

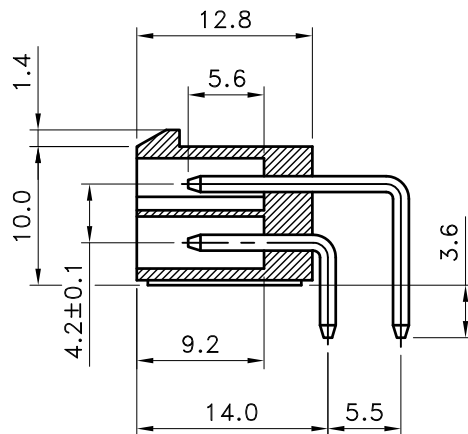
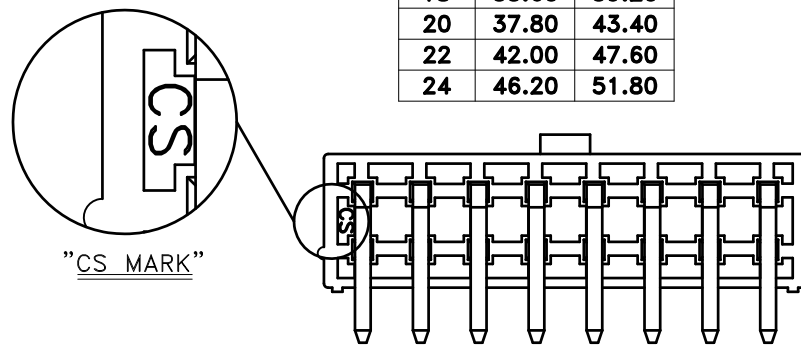
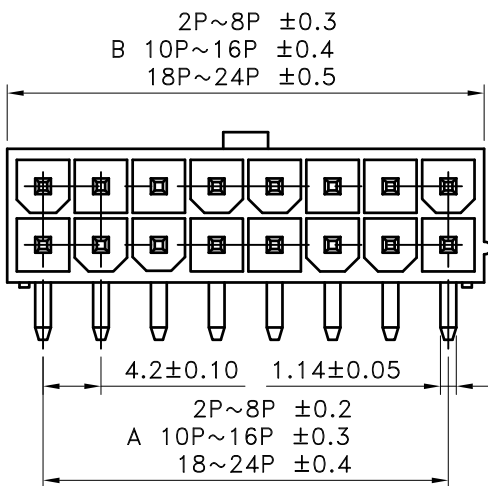
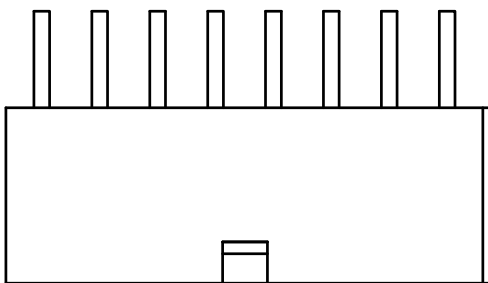
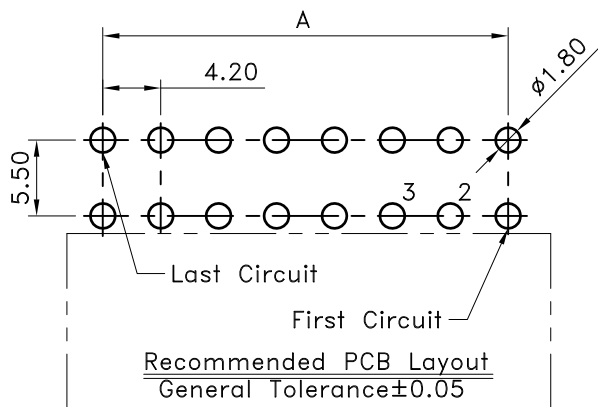


喬訊電子工業股份有限公司
CHYAO SHIUNN
ELECTRONIC INDUSTRIAL LTD.

PART NO JS-1151-XX(XX)XX
4.20mm D/R Power Connectors Wafer

| APPROVED BY | SCALE | UNIT | TOLERANCE | LTR | REVISION RECORD | NAME | DATE | LTR | REVISION RECORD | NAME | DATE |
|-------------|------------|---------|------------|-----|------------------------|---------|------------|-----|-----------------|------|------|
| 施咸光 | | mm | .0 ±0.30 | △ | 修正柱子外觀與實物相同 | 吳弘文 | 15/10/12 | △ | | | |
| CHECKED BY | PROJ | VER NO. | .00 ±0.20 | △ | 新增G材質及顏色,修改尺寸 | 林宛盈 | 16/05/30 | △ | | | |
| 周家慶 | | a14 | .000 ±0.10 | △ | 依ECR-00000160修改產品敘述 | Tom Lee | 16/08/05 | △ | | | |
| 周家慶 | | SIZE | ANGLE | △ | 增加管裝包裝選項及PA料能作的PIN位 | 藍美娜 | 17/03/02 | | | | |
| DRAWN BY | DATE | SIZE | 0° ±1° | △ | 02PIN產品管裝時出現異常,故修正包裝說明 | 周家慶 | 17/08/25 | | | | |
| 曾慶根 | 2019/03/08 | A4 | .0° ± | △ | 新增包裝方式盤裝選項 | Tom Lee | 18/01/24 | | | | |
| | | SHEET | 1/1 | △ | G料選項變更為GW選項 | 曾慶根 | 2019/03/08 | | | | |

CUSTOMER
Conforms to The RoHS Instruction



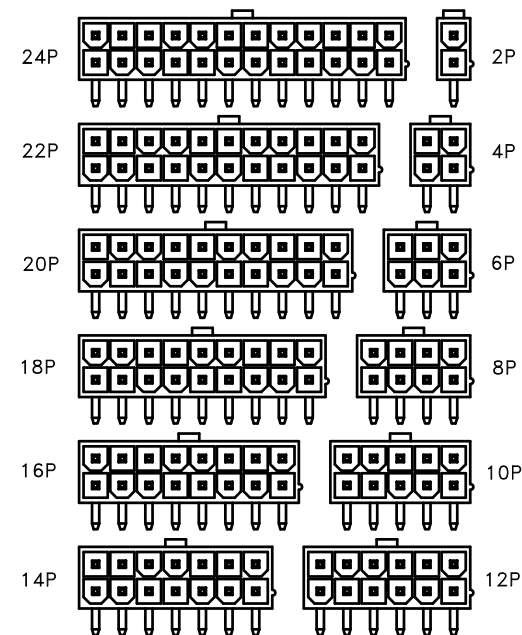
| Poles | Dimensions(mm) | |
|-------|----------------|-------|
| | A | B |
| 02 | ---- | 5.60 |
| 04 | 4.20 | 9.80 |
| 06 | 8.40 | 14.00 |
| 08 | 12.60 | 18.20 |
| 10 | 16.80 | 22.40 |
| 12 | 21.00 | 26.60 |
| 14 | 25.20 | 30.80 |
| 16 | 29.40 | 35.00 |
| 18 | 33.60 | 39.20 |
| 20 | 37.80 | 43.40 |
| 22 | 42.00 | 47.60 |
| 24 | 46.20 | 51.80 |

SPECIFICATIONS

- Voltage Rating : 250 V AC/DC
- Current Rating : 7A AC/DC
- Withstanding Voltage : 1,500V AC/minute
- Insulation Resistance : 1,000MΩ min
- Temperature Range : - 40φJ to + 105φJ
- Contact Resistance : 20mΩ max

WAFER

- Part No. : JS-1152-XX (XX) /X
Code NO : ① ② ③
- ① Poles : 2-24(Right Angle)
- ② Material Base: Blank : Nylon 66 UL94V-2
GW: Nylon 66 UL94V-0 (Glow Wire) Δ
GFGW: Nylon 66 UL94V-0 (Glow Wire) Δ
+25% Glass Fiber)
PA : Nylon 46 UL94V-0 (02P~14P) Δ
- ③ Package : Blank : Box(吸塑盤)
/D : Bag
/T : Tray Δ
- Material : Contact : Brass, Tin Plated

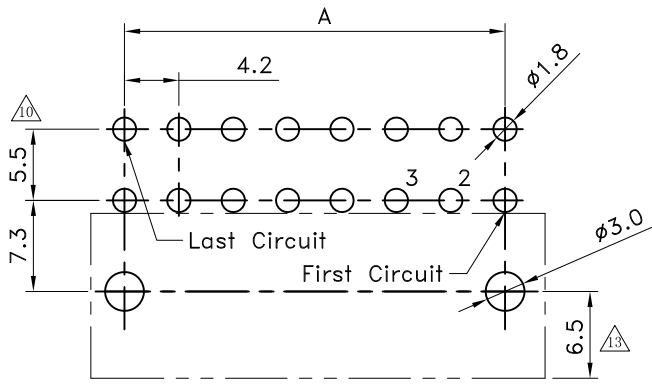


 喬訊電子工業股份有限公司
CHYAO SHIUNN
ELECTRONIC INDUSTRIAL LTD.

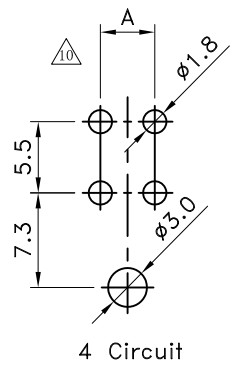
PART NO JS-1152-XX

4.20mm D/R Power Connectors Wafer

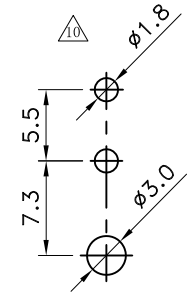
| APPROVED BY | SCALE | UNIT | TOLERANCE | LTR | REVISION RECORD | NAME | DATE | LTR | REVISION RECORD | NAME | DATE |
|-------------|---|---------|------------|----------|---------------------|---------|------------|----------------------------------|-----------------|------|------------|
| 張育瑞 | | mm | .0 ±0.30 | Δ | ECR DG 200806-001 | 余秀麗 | 2008/06/11 | Δ | 新增GW材質 | 周家慶 | 2019/02/27 |
| CHECKED BY | PROJ | VER NO. | .00 ±0.20 | Δ | ECR 200807-010 | 邱森鴻 | 2008/07/09 | Δ | 新增GFGW材質規格選項 | 謝君 | 2021/12/24 |
| 劉娜 |  | a12 | .000 ±0.10 | Δ | ECR 200811-019 | 黃科源 | 2008/11/24 | Δ | 新增PA材質規格選項 | 曾慶根 | 2022/04/01 |
| DRAWN BY | DATE | SIZE | ANGLE | | | 吳弘文 | 2013/03/06 | CUSTOMER | | | |
| 曾慶根 | 2022/04/01 | A4 | 0° ±1° | Δ | 增加包裝料號選項 | 黃廣珍 | 2014/06/19 | | | | |
| | | | .0° ± | Δ | 依ECR-00000160修改產品敘述 | 李柏昇 | 2016/08/08 | | | | |
| | | SHEET | 1/1 | Δ | 包裝方式加入盤裝選項 | Tom Lee | 2017/08/03 | Conforms to The RoHS Instruction | | | |



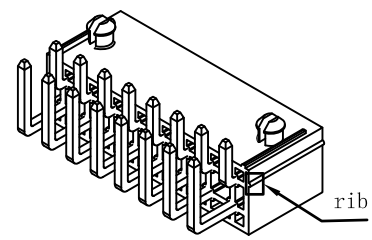
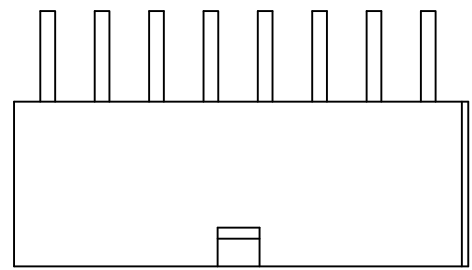
Recommended PCB Layout
General Tolerance ±0.05



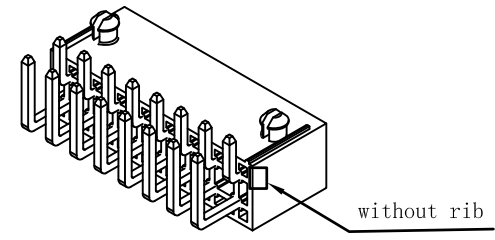
4 Circuit



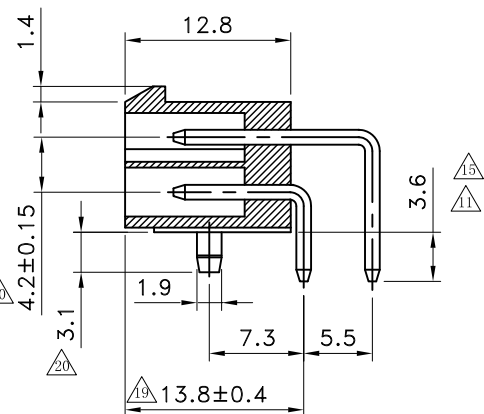
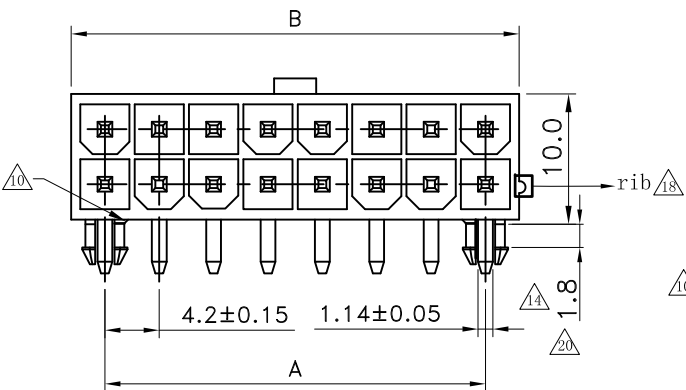
2 Circuit



(standard type)



(Without rib type)

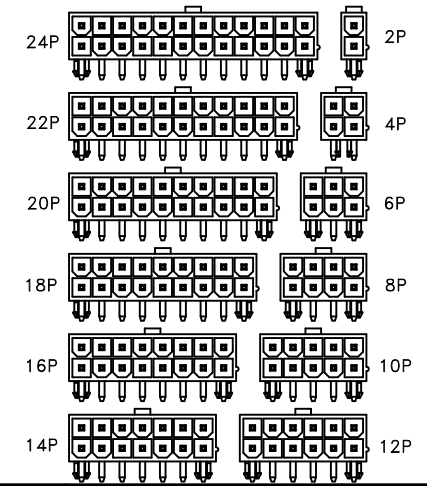


| Poles | Dimensions(mm) | |
|-------|----------------|------------|
| | A | B |
| 2 | ---- | 5.60±0.30 |
| 4 | 4.20±0.20 | 9.80±0.30 |
| 6 | 8.40±0.20 | 14.00±0.30 |
| 8 | 12.60±0.20 | 18.20±0.30 |
| 10 | 16.80±0.30 | 22.40±0.40 |
| 12 | 21.00±0.30 | 26.60±0.40 |
| 14 | 25.20±0.30 | 30.80±0.40 |
| 16 | 29.40±0.30 | 35.00±0.40 |
| 18 | 33.60±0.40 | 39.20±0.50 |
| 20 | 37.80±0.40 | 43.40±0.50 |
| 22 | 42.00±0.40 | 47.60±0.50 |
| 24 | 46.20±0.40 | 51.80±0.50 |

- SPECIFICATIONS**
- Voltage Rating : 250 V AC/DC
 - Current Rating : 7A AC/DC
 - Withstanding Voltage : 1,500V AC/minute
 - Insulation Resistance : 1,000M Ω min
 - Temperature Range : - 40°C to + 105°C
 - Contact Resistance : 20m Ω max

- WAFER**
- Part No. : JS-1153 - XX XX (XX) XX XX
 - ① Poles:02~24P ① ② ③ ④ ⑤
 - ② Material Base: Blank
WR:Without rib
 - ③ Material Base
Blank : Nylon 66 UL94V-2 Halogen Free
VO : Nylon 66 UL94V-0 Halogen Free
PA : PA46 UL94V-0 With Halogen
GW : Nylon 66 UL94V-0 (Glow Wire)
 - ④ Color : Blank : Nature
BK : Black
BK7C : Black 7C
OR : Orange
BU : Blue
R : Red(186~185C)
Y : Yellow
 - ⑤ Package : Blank : Box
/D : Bag

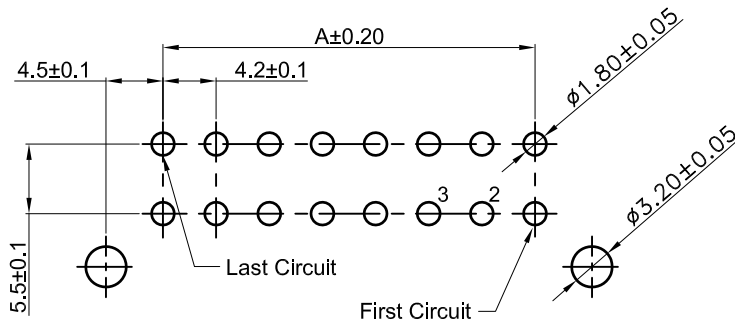
Material: Contact : Brass, 120u" min Tin over all 30u" Ni



喬訊電子工業股份有限公司
CHYAO SHIUNN
ELECTRONIC INDUSTRIAL LTD.

| APPROVED BY | SCALE | UNIT | TOLERANCE | LTR | REVISION RECORD | NAME | DATE | LTR | REVISION RECORD | NAME | DATE | |
|------------------------------|------------|---------|------------|-----|--------------------------|------|------------|---------------------|------------------------|------------|----------------------------------|--|
| 施咸光 | 1:1 | mm | .0 ±0.30 | 10 | 修改Layout圖 6.7尺寸為6.5與實物一致 | 黃廣珍 | 2013/09/24 | 10 | 依ECR-201610001修改尺寸公差 | 曾慶根 | 2016/10/26 | |
| CHECKED BY | PROJ | VER NO. | .00 ±0.20 | 10 | 增加定位柱尺寸標示 | 吳弘文 | 2014/03/25 | 10 | 依ECR增加塑膠紅色(186-185C)參數 | 植濟余 | 2016/12/26 | |
| 張祐誠 | ⊕ | a22 | .000 ±0.10 | 10 | 修改尺寸公差 | 鄭小嬌 | 2015/02/02 | 10 | 使用GW材料替代G料 | 周家慶 | 2019/02/26 | |
| DRAWN BY | DATE | SIZE | ANGLE | 10 | 增加BK7C顏色選擇 | 曾慶根 | 2015/06/12 | CUSTOMER | | | | |
| 周家慶 | 2019/02/26 | A4 | 0° ±1° | 10 | 增加G材料及顏色 | 林宛盈 | 2016/05/06 | | | | | |
| | | | .0° ± | 10 | 料號內容說明增加: WR為無肋係選項 | 藍美娜 | 2016/08/04 | | | | | |
| PART NO JS-1153-XXXX(XX)XXXX | | | | | SHEET | 1/1 | 10 | 依ECR-00000160修改產品敘述 | Tom Lee | 2016/08/10 | Conforms to The RoHS Instruction | |

4.20mm D/R Power Connectors Wafer



Recommended PCB Layout

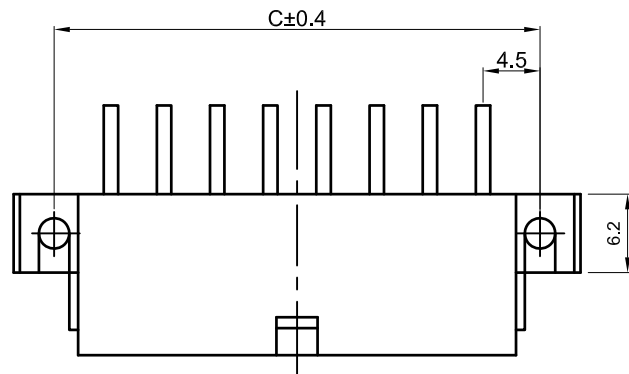
| Poles | Dimensions(mm) | | |
|-------|----------------|-------|-------|
| | A | B | C |
| 2 | ---- | 5.60 | 9.00 |
| 4 | 4.20 | 9.80 | 13.20 |
| 6 | 8.40 | 14.00 | 17.40 |
| 8 | 12.60 | 18.20 | 21.60 |
| 10 | 16.80 | 22.40 | 25.80 |
| 12 | 21.00 | 26.60 | 30.00 |
| 14 | 25.20 | 30.80 | 34.20 |
| 16 | 29.40 | 35.00 | 38.40 |
| 18 | 33.60 | 39.20 | 42.60 |
| 20 | 37.80 | 43.40 | 46.80 |
| 22 | 42.00 | 47.60 | 51.00 |
| 24 | 46.20 | 51.80 | 55.20 |

SPECIFICATIONS

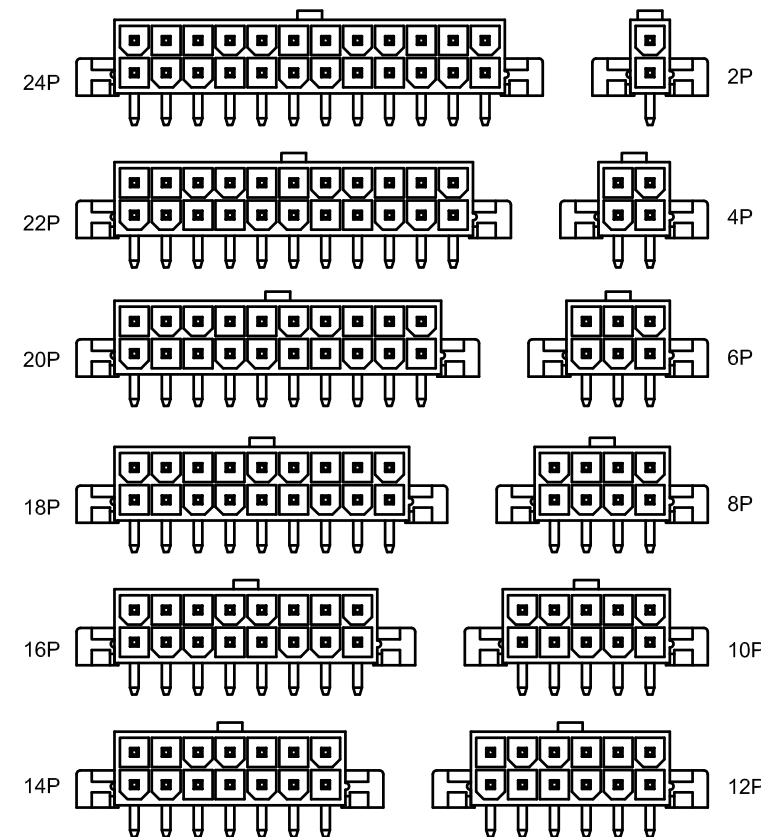
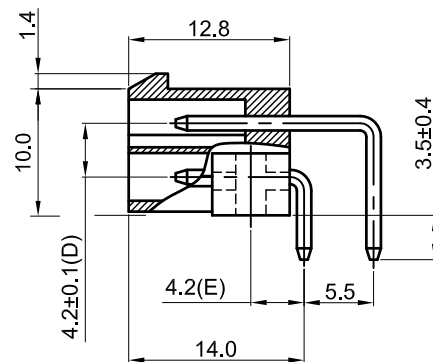
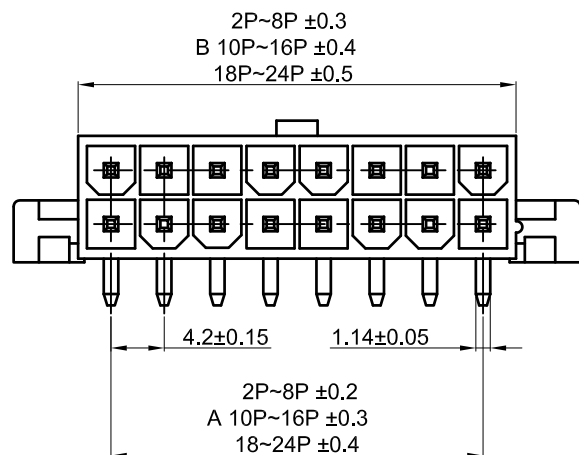
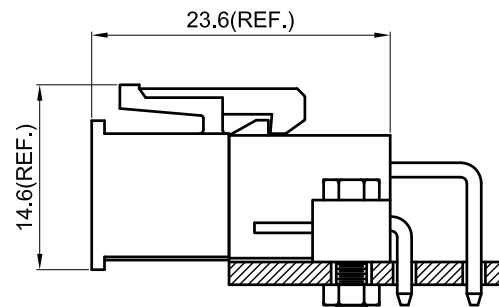
- Voltage Rating : 250 V AC/DC
- Current Rating : 7A AC/DC
- Withstanding Voltage : 1,500V AC/minute
- Insulation Resistance : 1,000M Ω min
- Temperature Range : - 40°C to + 105°C
- Contact Resistance : 20m Ω max

WAFER

- Part No. : JS-1154-XX(X) ⚠
- Poles : 2-24(Right Angle)
- Material : Contact : Brass
Base : Nylon 66 UL94V-2; Color : Nature
- ① • Plated : Blank: Tin Plated
G: Gold Plated ⚠
- Q' ty : 1000 pcs./Bag



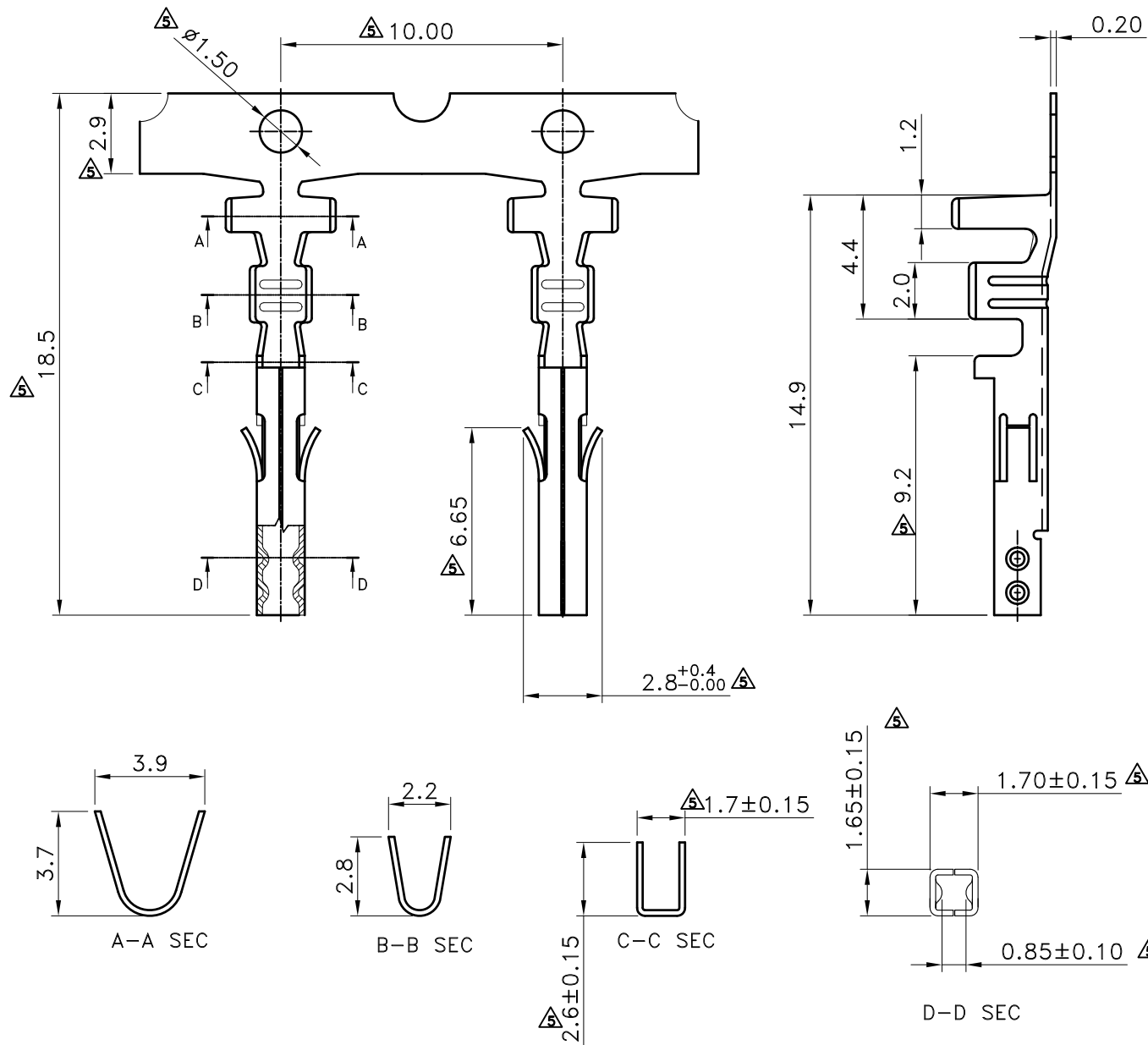
Assembly Layout



喬訊電子工業股份有限公司
CHYAO SHIUNN
ELECTRONIC INDUSTRIAL LTD.

PART NO JS-1154-XX(X)
4.20mm D/R Power Connectors Wafer

| APPROVED BY | SCALE | UNIT | TOLERANCE | LTR | REVISION RECORD | NAME | DATE | LTR | REVISION RECORD | NAME | DATE |
|-------------|------------|---------|------------|-----|---------------------|------|----------|----------------------------------|-----------------|------|----------|
| 張育瑞 | | mm | .0 ±0.30 | ⚠ | 變更原因遺失 | XXX | XX/XX/XX | ⚠ | 增加鍍金規格選項 | 劉娜 | 18/11/13 |
| CHECKED BY | PROJ | VER NO. | .00 ±0.20 | ⚠ | 變更原因遺失 | XXX | XX/XX/XX | ⚠ | | | |
| 周家慶 | ⊕ | a8 | .000 ±0.10 | ⚠ | 大幅修改圖面內容 | 黃科源 | 08/08/14 | ⚠ | | | |
| DRAWN BY | DATE | SIZE | ANGLE | | 增加剖面視圖 | 黃科源 | 08/11/24 | CUSTOMER | | | |
| 劉娜 | 2018/11/13 | A4 | 0° | ±1° | 尺寸對照表遺漏C尺寸 | 林曄 | 09/11/25 | | | | |
| | | | .0° | ± | C尺寸 尺寸對照表修改 | 林文泰 | 10/01/15 | | | | |
| SHEET | | | 1/1 | ⚠ | 依ECR-00000160修改產品敘述 | 李柏昇 | 16/08/08 | Conforms to The RoHS Instruction | | | |

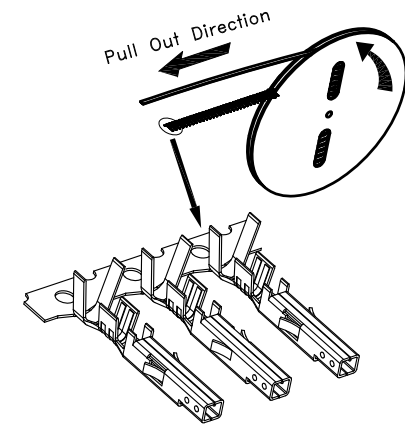


■ SPECIFICATIONS

- Current Rating : 7A AC/DC
- Withstanding Voltage : 1500V AC/minute
- Insulation Resistance : 1000M Ω min
- Temperature Range : - 40 $^{\circ}$ C to + 105 $^{\circ}$ C
- Contact Resistance : 20m Ω max

■ TERMINAL

- Part No. : JS-1149-XXTXX \triangle
- Code No. $\textcircled{1}$
- $\textcircled{1}$ T : Standard Process, Brass
- TP1 : Stamping before Plated, Brass \triangle
- PBTP : Stamping before Plated, Phosphor bronze \triangle
- Applicable Wires : AWG# 18 - 22
- Finish : Tin Plated
- Thickness : 0.2mm
- Q' ty : 5,000 pcs./Reel



 喬訊電子工業股份有限公司
CHYAO SHIUNN
ELECTRONIC INDUSTRIAL LTD.

PART NO JS-1149-XXTXX

4.2mm Dip wire to Board Series power Connector (Terminal)

| APPROVED BY | SCALE | UNIT | TOLERANCE | LTR | REVISION RECORD | NAME | DATE | LTR | REVISION RECORD | NAME | DATE |
|-------------|---|---------|------------|-------------|---------------------|---------------|------------|----------------------------------|-----------------|------|-----------|
| 張育瑞 | | mm | .0 ±0.30 | \triangle | 200605-012 | 劉蓮花 | 06/05/24 | \triangle | 新增PBTP磷銅材質選項 | 劉娜 | 2021/5/22 |
| CHECKED BY | PROJ | VER NO. | .00 ±0.20 | \triangle | 200605-011 | 劉蓮花 | 06/05/26 | \triangle | | | |
| 張育瑞 |  | a8 | .000 ±0.10 | \triangle | DG 200606-005 | 簡海平 | 06/06/10 | \triangle | | | |
| DRAWN BY | DATE | SIZE | ANGLE | | \triangle | DG 200606-015 | 簡海平 | 06/06/30 | CUSTOMER | | |
| 劉娜 | 2021/05/22 | A4 | 0° ±1° | \triangle | T & TP1兩者圖面結合 | 劉怡萱 | 2010/12/22 | | | | |
| | | | 0° ± | \triangle | 標示更新 | 吳弘文 | 2013/12/09 | Conforms to The RoHS Instruction | | | |
| | | | SHEET 1/1 | \triangle | 依ECR-00000160修改產品敘述 | 李柏昇 | 2016/08/05 | | | | |