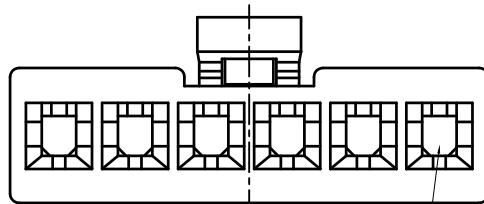
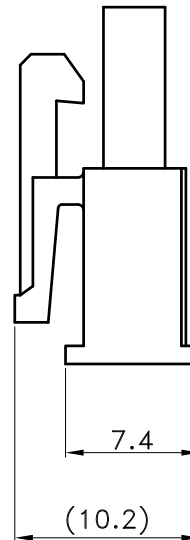
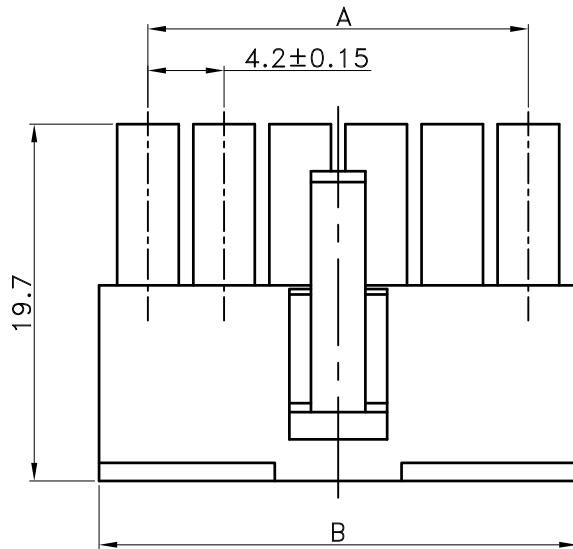


Poles	Dimensions(mm)	
	A	B
2	4.20±0.15	9.60±0.30
3	8.40±0.25	13.80±0.30
4	12.60±0.25	18.00±0.30
5	16.80±0.25	22.20±0.30
6	21.00±0.25	26.40±0.30



First Circuit

■ SPECIFICATIONS

- Current rating : 7A AC/DC. \triangle_5
- Withstanding voltage : 1500V AC/minute
- Insulation resistance : 1000M Ω min.
- Temperature range : - 40 $^{\circ}$ C to + 105 $^{\circ}$ C
- Contact resistance : 20m Ω max.

■ PLUG HOUSING

- Part No. : JS-1149S-XX(XX)XX

① Poles : 2-6

① ② ③

② Blank:Nylon 66 UL94V-2 \triangle_7

V0:Nylon 66 UL94V-0

GW : Nylon66 UL94V-0(Glow Wire) \triangle_9

GF: Nylon66 UL94 V-0 (G.F.) \triangle_{10}

③ Color : Blank : Nature \triangle_8

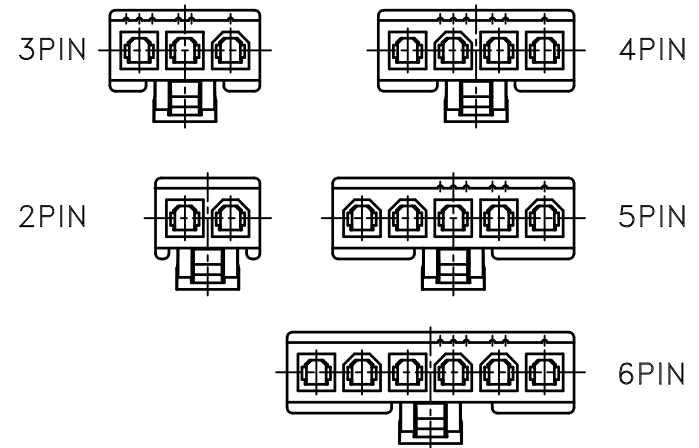
BK : Black (For V0 , V2)

R : Red

BU : Blue

Y : Yellow

- Q' ty : 1,000 pcs./Bag

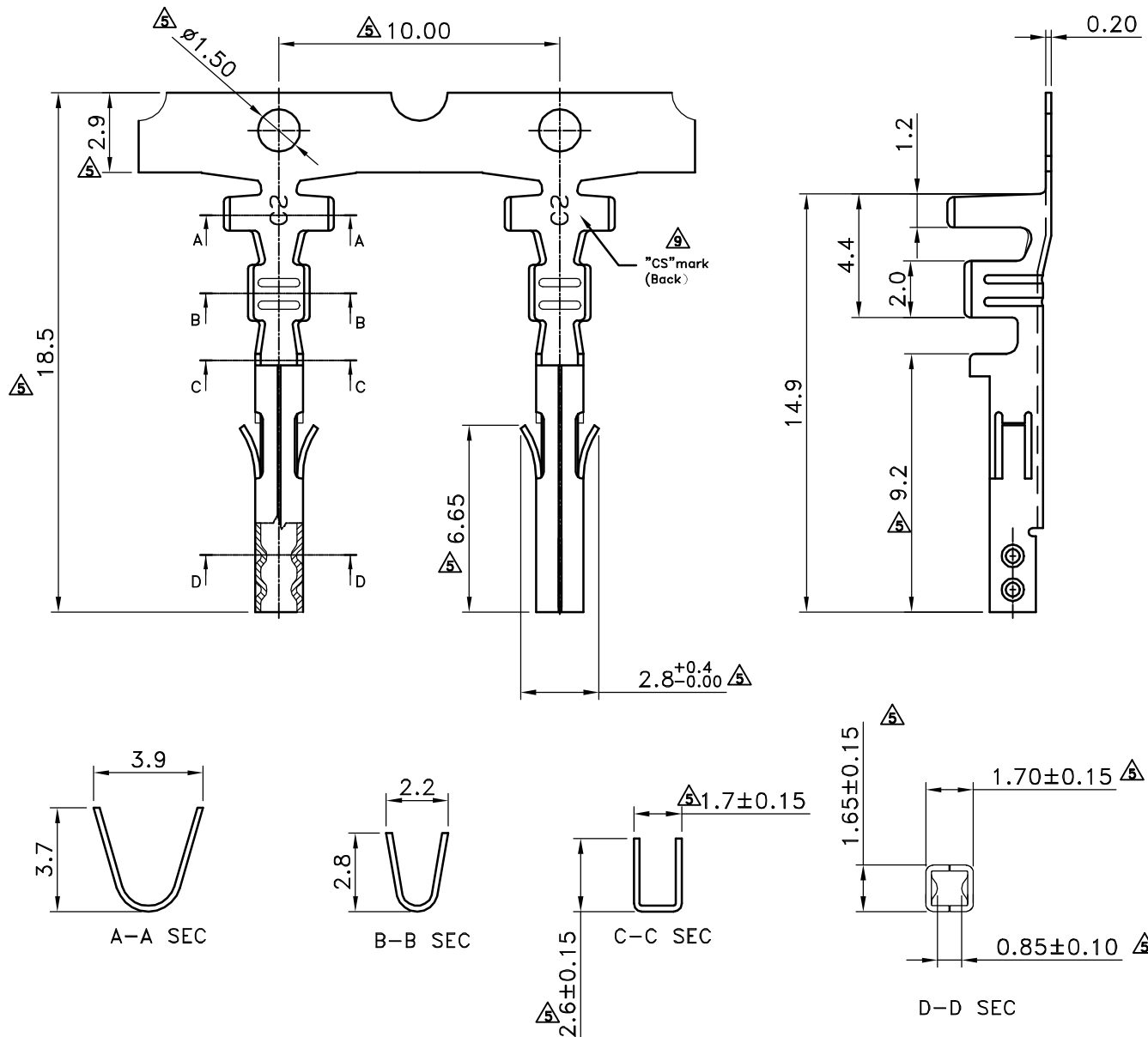


CS 喬訊電子工業股份有限公司
CHYAO SHIUNN
ELECTRONIC INDUSTRIAL LTD.

APPROVED BY	SCALE	UNIT	TOLERANCE	LTR	REVISION RECORD	NAME	DATE	LTR	REVISION RECORD	NAME	DATE
張育瑞		mm	.0 ±0.30	\triangle_5	ECR 200707-018	黃科源	07/07/13	\triangle_5	依ECR-00000160修改產品敘述	李柏昇	16/08/08
CHECKED BY	PROJ	VER NO.	.00 ±0.20	\triangle_5	ECR 200708-029	黃科源	07/08/29	\triangle_5	G料改為新增GW材質選項	曾慶根	17/09/29
劉娜	\odot \square	a10	.000 ±0.10	\triangle_5	ECR 200809-014	黃科源	08/09/23	\triangle_5	新增GF材質選項 PA66 V-0 玻纖	謝君	21/06/10
DRAWN BY	DATE	SIZE	ANGLE		ECR 圖面合併&移除額定電壓	林豐盛	11/03/01		CUSTOMER		
謝君	2021/06/10	A4	0° ±1°	\triangle_5	額定電流更正為 7A	劉怡萱	11/03/31				
			.0° ±	\triangle_5	修正02PIN圖示與實物相符：刪除肋條	鄭小嬌	15/06/16				
			SHEET	1/1	\triangle_5	增加G材質選項及顏色，整體格式變更	林宛盈	16/05/30	Conforms to The RoHS Instruction		

PART NO JS-1149S-XX(XX)

4.20mm S/R Power Connectors -Plug Housing

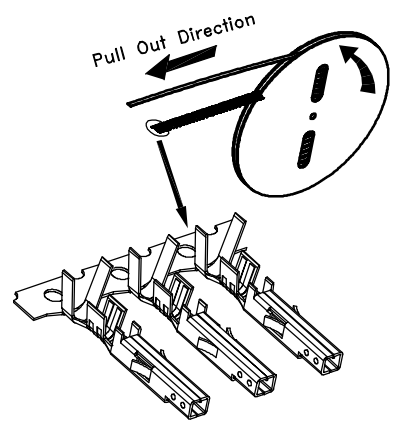


■ SPECIFICATIONS

- Current Rating : 7A AC/DC
- Withstanding Voltage : 1500V AC/minute
- Insulation Resistance : 1000MΩ min
- Temperature Range : - 40°C to + 105°C
- Contact Resistance : 20mΩ max

■ TERMINAL

- Part No. : JS-1149-XXTXX ⚠
- Code No. ①
- ① T : Standard Process, Brass
- TP1 : Stamping before Plated, Brass ⚠
- PBTP : Stamping before Plated, Phosphor bronze ⚠
- Applicable Wires : AWG# 18 - 22
- Finish : Tin Plated
- Thickness : 0.2mm
- Q' ty : 5,000 pcs./Reel

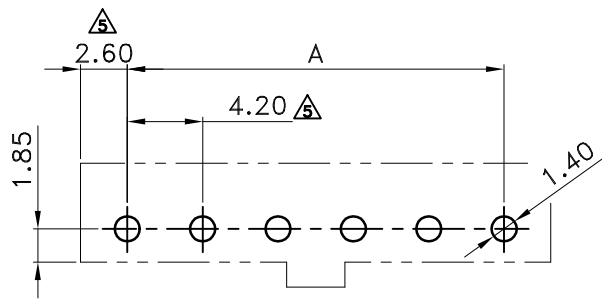


CS 喬訊電子工業股份有限公司
CHYAO SHIUNN
ELECTRONIC INDUSTRIAL LTD.

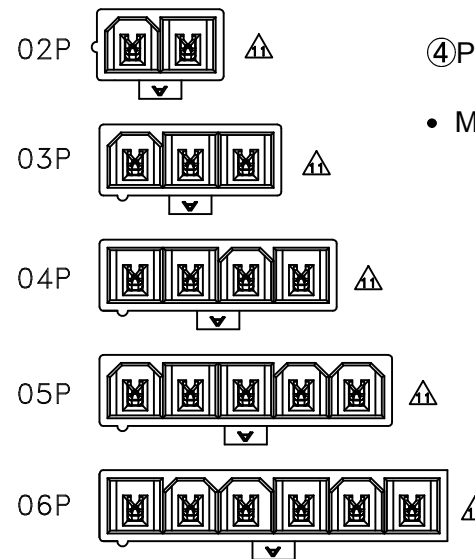
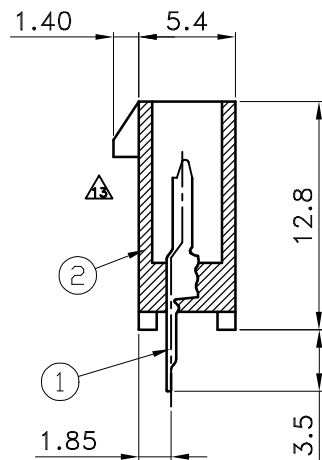
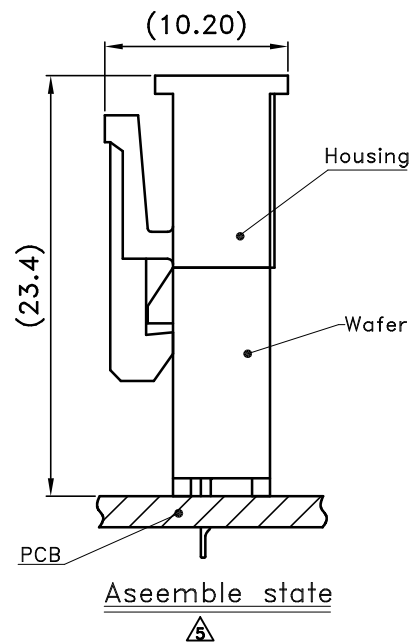
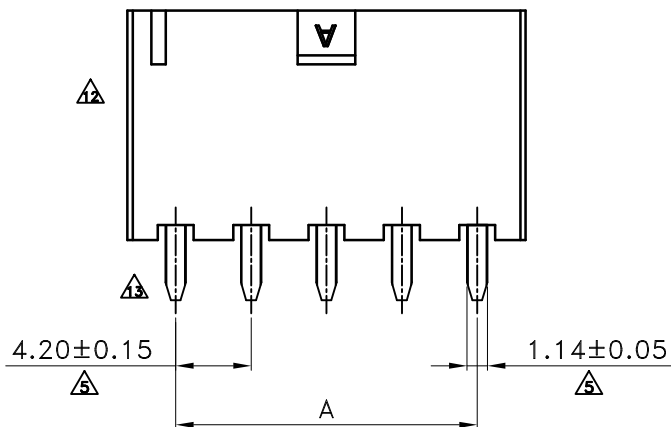
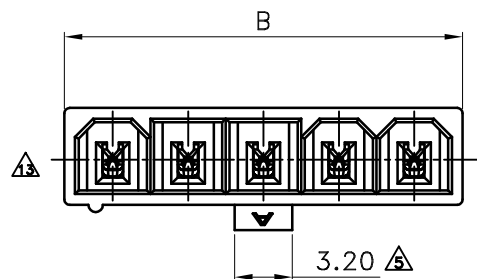
PART NO JS-1149-XXTXX

4.2mm Dip wire to Board Series power Connector (Terminal)

APPROVED BY	SCALE	UNIT	TOLERANCE	LTR	REVISION RECORD	NAME	DATE	LTR	REVISION RECORD	NAME	DATE
Tom Shih		mm	.0 ±0.30	⚠	200605-012	劉蓮花	06/05/24	⚠	新增PBTP磷銅材質選項	劉娜	2021/5/22
CHECKED BY	PROJ	VER NO.	.00 ±0.20	⚠	200605-011	劉蓮花	06/05/26	⚠	Add CS Mark	Eddie	2023/5/5
Erin Chou	⊕	a9	.000 ±0.10	⚠	DG 200606-005	簡海平	06/06/10	⚠			
DRAWN BY	DATE	SIZE	ANGLE		DG 200606-015	簡海平	06/06/30	CUSTOMER			
Eddie	2023/05/05	A4	0°	±1°	T & TP1兩者圖面結合	劉怡萱	2010/12/22				
			.0°	±	標示更新	吳弘文	2013/12/09				
			SHEET	1/1	依ECR-00000160修改產品敘述	李祐昇	2016/08/05	Conforms to The RoHS Instruction			



Recommended PCB Layout
General Tolerance ± 0.05



■ SPECIFICATIONS

- Current rating : 7A AC/DC. \triangle
- Withstanding voltage : 1500V AC/minute
- Insulation resistance : 1,000M Ω min.
- Temperature range : - 40°C to + 105°C
- Contact resistance : 20m Ω max.

■ WAFER \triangle

- Part No. : JS-1150S-XX(XX) XX /X
① ② ③ ④

① Poles : 2-6(Single , Straight)

② Material: \triangle \triangle

Blank : Nylon 66 UL94V-2

V0 : Nylon 66 UL94V-0 \triangle

GW : Nylon 66 UL94V-0 (Glow Wire)

③ Color : Blank : Nature (Standard) \triangle

BK : Black (For V0 , V2)

R : Red

BU : Blue

Y : Yellow

④ Packing : Blank : Bag

/A : Tube \triangle

- Material : 1.Contact : Brass, Tin Plated
2. Base : Refer Above Options

Poles	Dimensions(mm)	
	A	B
2	4.20 \pm 0.15	9.60 \pm 0.40
3	8.40 \pm 0.25	13.80 \pm 0.40
4	12.60 \pm 0.25	18.00 \pm 0.40
5	16.80 \pm 0.25	22.20 \pm 0.40
6	21.00 \pm 0.25	26.40 \pm 0.40

喬訊電子工業股份有限公司
CHYAO SHIUNN
ELECTRONIC INDUSTRIAL LTD.

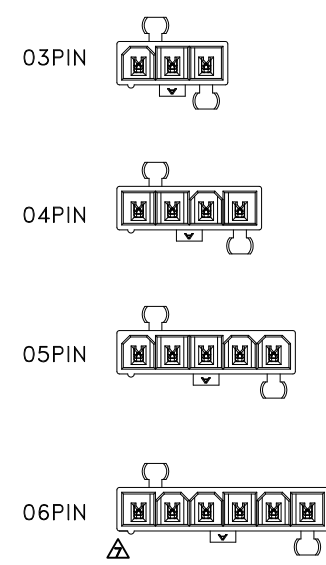
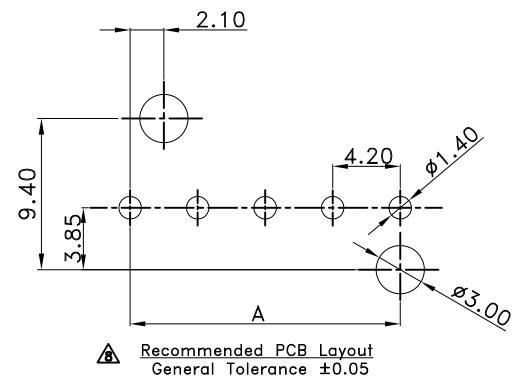
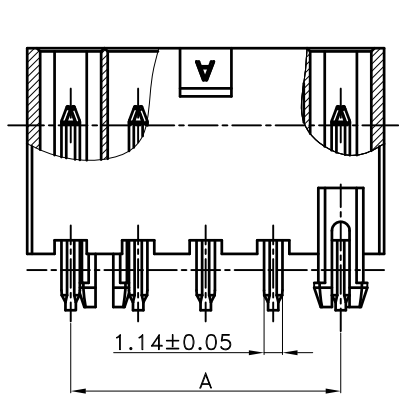
PART NO JS-1150S-XX(XX)XX/X

4.20mm S/R Power Connectors Wafer

APPROVED BY	SCALE	UNIT	TOLERANCE	LTR	REVISION RECORD	NAME	DATE	LTR	REVISION RECORD	NAME	DATE
Tom Shih		mm	.0 \pm 0.30	\triangle	200902-001	黃科源	09/02/02	\triangle	修改圖示	曾慶根	2019/12/19
CHECKED BY	PROJ	VER NO.	.00 \pm 0.20	\triangle	修改額定電流更正為 7A	劉怡瑩	11/04/01	\triangle	修正視圖	Eiddie	2023/04/12
Tom Shih		a13	.000 \pm 0.10	\triangle	增加V0料料號	鄭小嬌	15/05/20	\triangle	修正視圖與實物相符	Erin	2023/04/25
DRAWN BY	DATE	SIZE	ANGLE	\triangle	增加G料料號及顏色	林宛盈	16/05/30	\triangle			
Erin Chou	2023/04/25	A4	0° \pm 1°	\triangle	依BCR-00000160修改產品敘述	李柏昇	16/08/08	\triangle			
			.0° \pm	\triangle	G料選項變更為GW選項	曾慶根	2019/03/08	\triangle			
			SHEET 1/1	\triangle	新增Tube包裝選項	Eddie	2019/11/08	\triangle			

CUSTOMER

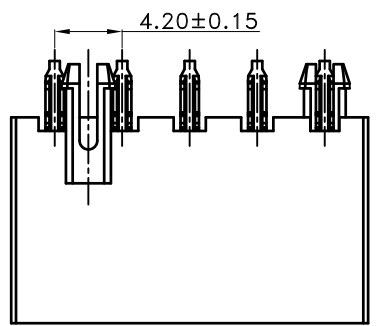
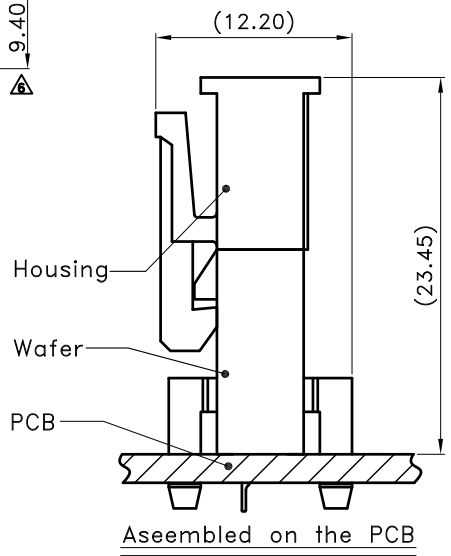
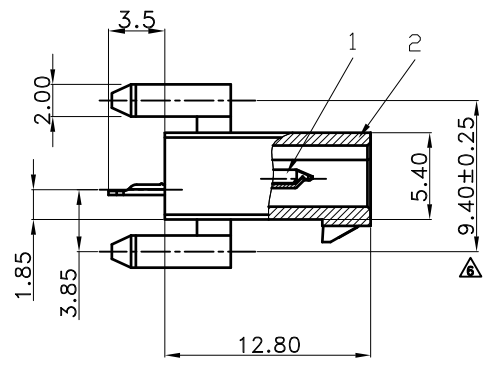
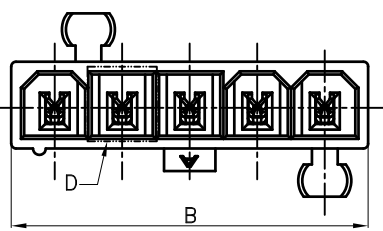
Conforms to The RoHS Instruction



- SPECIFICATIONS
- Current rating : 7A AC/DC. ⚠
 - Withstanding voltage : 1,500V AC/minute
 - Insulation resistance : 1,000MΩ min.
 - Temperature range : - 40°C to + 105°C
 - Contact resistance : 20mΩ max.

- WAFER (With Peg) ⚠ ⚠
- Part No. : JS-1151S-XX(XX)XX
- ① ② ③
- ① Poles : 03~06 (with Peg)
 - ② Base : Blank : Nylon 66 UL94V-2 ⚠
V0 : Nylon 66 UL94V-0
GW : Nylon 66 UL94V-0(Glow Wire) ⚠
 - ③ Color : Blank : Nature ⚠
BU : Blue
R : Red
Y : Yellow

- Material :
 - 1. Contact : Brass, Tin Plated
 - 2. Base : Refer the above options
- Q' ty : 1,000 pcs./Bag



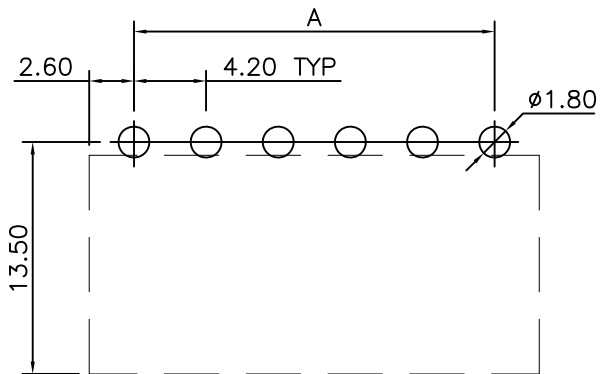
Poles	Dimensions(mm)	
	A	B
3	8.40±0.25	13.80±0.30
4	12.60±0.25	18.00±0.30
5	16.80±0.25	22.20±0.30
6	21.00±0.25	26.40±0.30

 喬訊電子工業股份有限公司
CHYAO SHIUNN
ELECTRONIC INDUSTRIAL LTD.

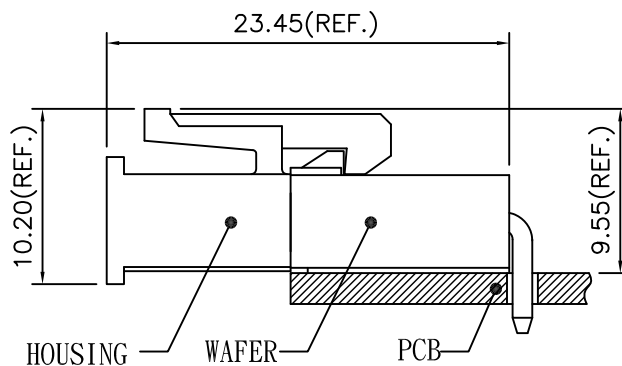
PART NO JS-1151S-XX
4.20mm Wire to Board Power Connector, Single-Row

APPROVED BY	SCALE	UNIT	TOLERANCE	LTR	REVISION RECORD	NAME	DATE	LTR	REVISION RECORD	NAME	DATE
施咸光		mm	.0 ±0.30	⚠	200708-006	劉蓮花	07/08/10	⚠	新增G材質及顏色	林宛盈	16/05/30
CHECKED BY	PROJ	VER NO.	.00 ±0.20	⚠	200708-026	黃科源	07/08/29	⚠	依ECR-00000160修改產品敘述	李柏昇	16/08/08
周家慶		a11	.000 ±0.10	⚠	200809-011	黃科源	08/09/13	⚠	G料選項變更為GW選項	曾慶根	2019/03/11
DRAWN BY	DATE	SIZE	ANGLE	⚠	200902-001	黃科源	09/02/02				
曾慶根	2019/03/11	A4	0° ±1°	⚠	修改額定電流為7A	劉怡萱	11/04/01				
			.0° ±	⚠	增加V0材質 & 示意圖上Pin 1位置	王誠賢	11/05/18				
			SHEET 1/1	⚠	修正 Layout A尺寸	吳弘文	13/06/20				

CUSTOMER
Conforms to The RoHS Instruction



Recommended PCB Layout(Top View)



Assembly state

SPECIFICATIONS

- Current Rating : 7A AC/DC
- Withstanding Voltage : 1500V AC/minute
- Insulation Resistance : 1000MΩ min
- Temperature Range : - 40°C to + 105°C
- Contact Resistance : 20mΩ max

WAFER

Part No. : JS-1152 XX - XX XX XX XX
 ① ② ③ ④ ⑤

① TYPE: S: Without Rib
 S2: With Rib

② Poles: 2~6

③ Material:

Blank: NY 66 UL94V-2

V0: NY 66 UL94V-0

PA: PA 46

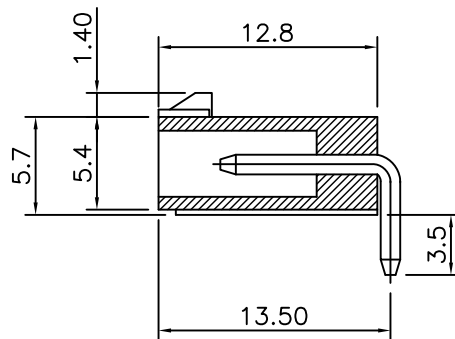
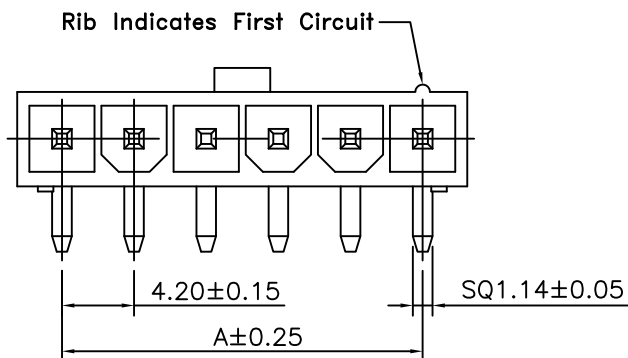
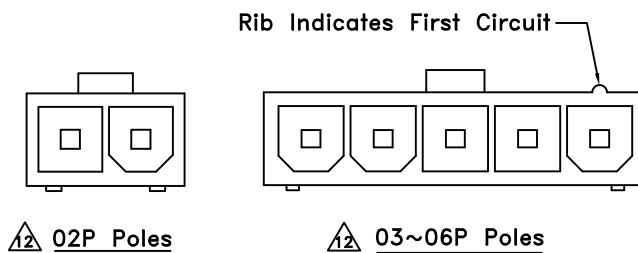
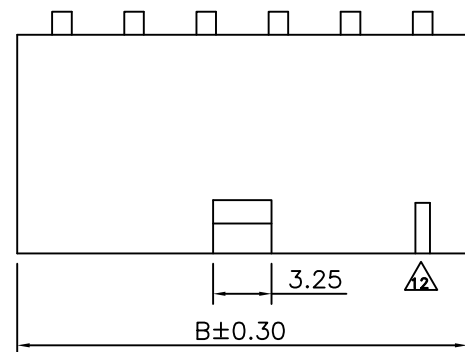
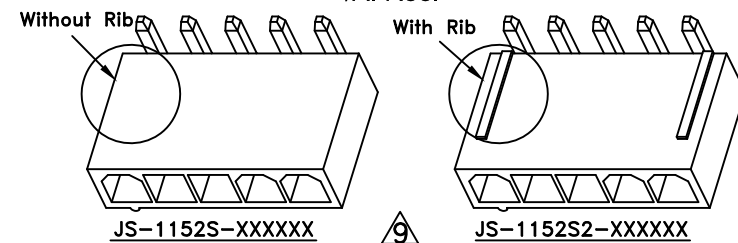
④ Color:

Blank: Nature

BK: Black

⑤ Package: Blank: Bag

/A: Reel



Poles	Dimensions(mm)		SAMPLE
	A	B	
2	4.20	9.60	
3	8.40	13.80	
4	12.60	18.00	
5	16.80	22.20	
6	21.00	26.40	



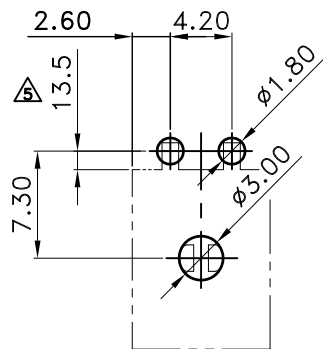
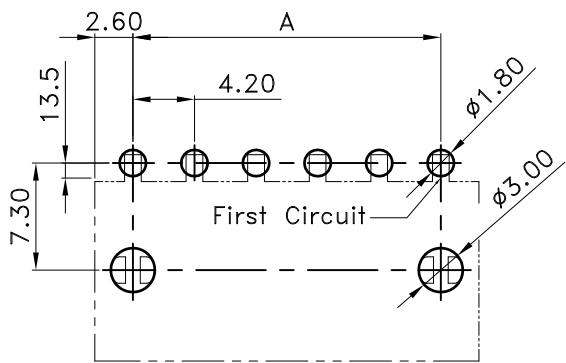
喬訊電子工業股份有限公司

CHYAO SHIUNN
ELECTRONIC INDUSTRIAL LTD.

PART NO JS-1152SX-XXXXXX

4.20mm Crimp Style Connector

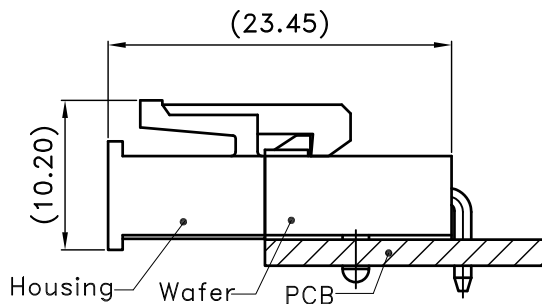
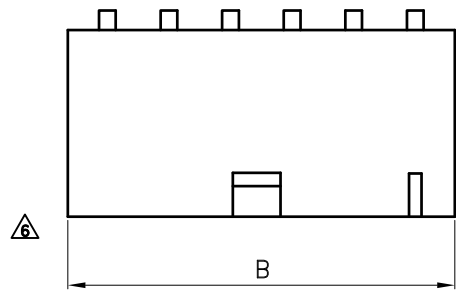
APPROVED BY	SCALE	UNIT	TOLERANCE	LTR	REVISION RECORD	NAME	DATE	LTR	REVISION RECORD	NAME	DATE
張育瑞		mm	.0 ±0.30	△	增v0材質	周美麗	2012/01/05	△			
CHECKED BY	PROJ	VER NO.	.00 ±0.20	△	變更料號	周美麗	2012/10/12	△			
黃科源		a12	.000 ±0.10	△	增加PA46材質&包材選項	張逸維	2013/02/01	△			
DRAWN BY	DATE	SIZE	ANGLE	△	外觀修正	吳弘文	2013/07/29		CUSTOMER		
吳弘文	2013/07/30	A4	0° ±1°	△	Pin 1 Rib Indicates 外觀修正, 增加Pole數對照圖	吳弘文	2013/07/30				
			.0° ±	△					Conforms to The RoHS Instruction		
			SHEET 1/1	△							



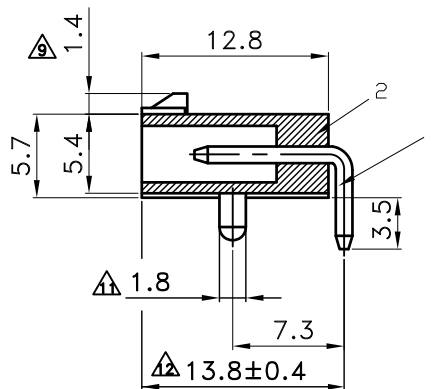
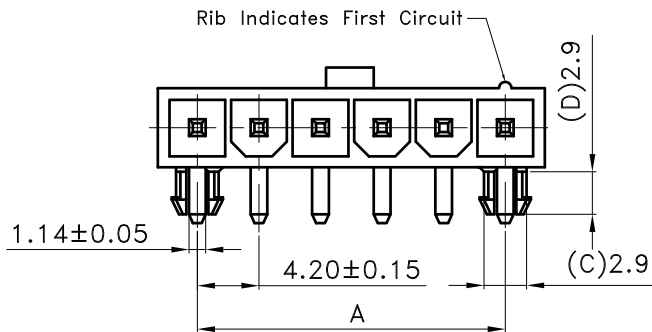
Poles	Dimensions(mm)	
	A	B
2	4.20±0.15	9.60±0.30
3	8.40±0.25	13.80±0.30
4	12.60±0.25	18.00±0.30
5	16.80±0.25	22.20±0.30
6	21.00±0.25	26.40±0.30

△ Recommended PCB Layout(Top View)
General tolerance ±0.05

2 Circuit



△ Assembly Layout



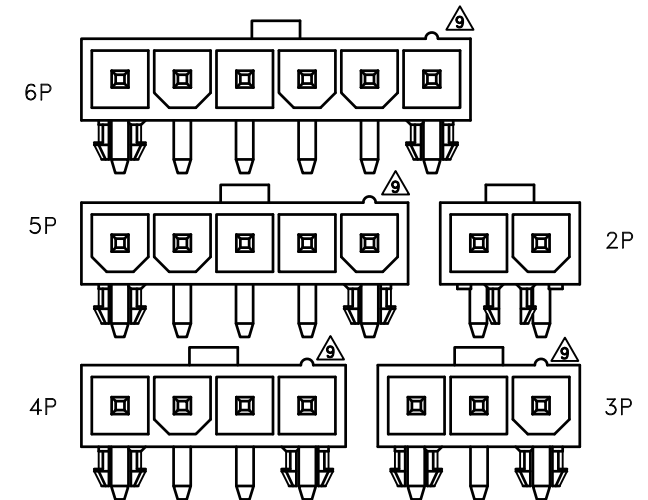
■ SPECIFICATIONS

- Current rating : 7A AC/DC. △
- Withstanding voltage : 1500V AC/minute
- Insulation resistance : 1,000M Ω min.
- Temperature range : - 40°C to + 105°C
- Contact resistance : 20m Ω max.

■ WAFER

- Part No : JS-1153S-XX (XX) XX
- Code No: ① ② ③

- ① Poles : 2-6(Single , Right Angle , with Peg)
- ② Base Material : Blank : Nylon 66 UL94V-2
V0 : Nylon 66 UL94V-0
PA : Nylon 46 UL94V-0
GW: Nylon 66 UL94V-0
(Glow Wire) △△
- ③ Base Material : Blank : Nature △
BK : Black (For V0,V2,PA)
BU : Blue
R : Red(186~185C) △
Y : Yellow
- Material : 1.Contact : Brass, Tin Plated
2. Base : Refer Above Options
- Q' ty : 1,000 pcs./Bag



喬訊電子工業股份有限公司
CHYAO SHIUNN
ELECTRONIC INDUSTRIAL LTD.

PART NO JS-1153S-XX
4.20mm S/R Power Connectors Wafer

APPROVED BY	SCALE	UNIT	TOLERANCE	LTR	REVISION RECORD	NAME	DATE	LTR	REVISION RECORD	NAME	DATE
施咸光		mm	.0 ±0.30	△	修改額定電流為7A	劉怡萱	2011/04/01	△	依ECR-00000160修改產品敘述	Tom Lee	2016/08/09
CHECKED BY	PROJ	VER NO.	.00 ±0.20	△	修正俯視圖表示方式	張逸維	2013/03/01	△	依ECR增加塑膠紅色(186~185C)參數	植濟余	2016/12/26
周家慶	⊕	a14	.000 ±0.10	△	增加V0材料選項	吳弘文	2013/03/04	△	G料選項變更為GW選項	曾慶根	2019/03/11
DRAWN BY	DATE	SIZE	ANGLE		增加PA46材料選項	張逸維	2013/03/22	CUSTOMER			
曾慶根	2019/03/11	A4	0° ±1°	△	3-6P增加筋條,修改1.4尺寸公差	黃廣珍	2014/03/12				
			0° ±	△	增加顏色:黑色	鄭小嬌	2015/04/17				
			SHEET	1/1	新增G料及顏色,變更公差	林宛盈	2016/05/30	Conforms to The RoHS Instruction			