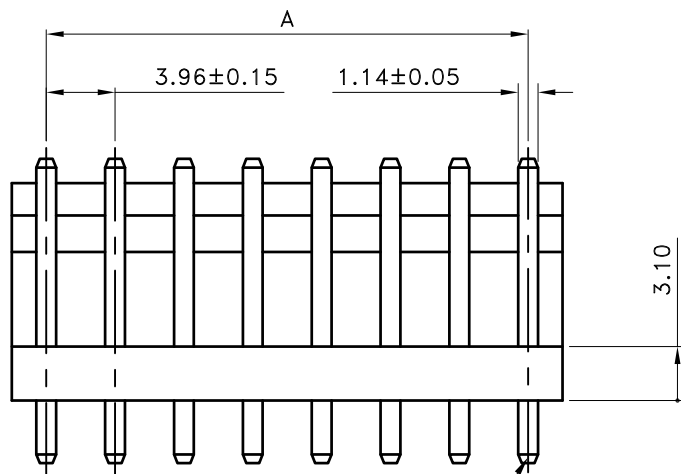
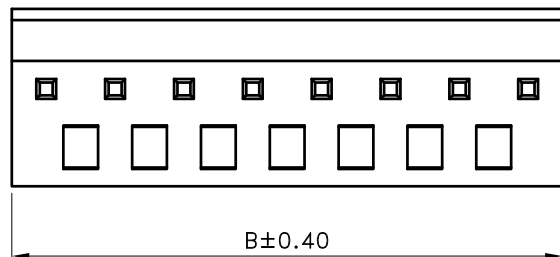
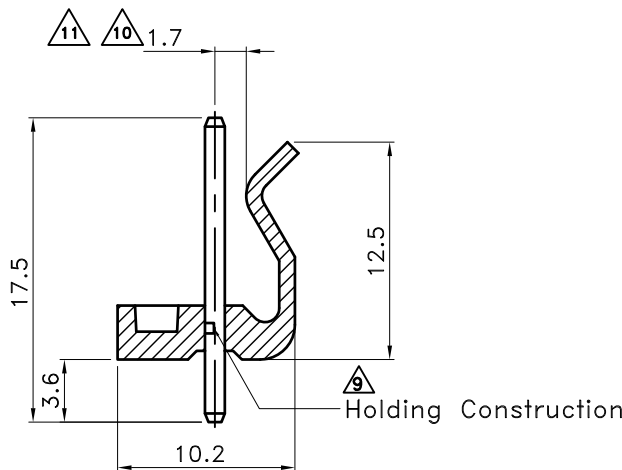
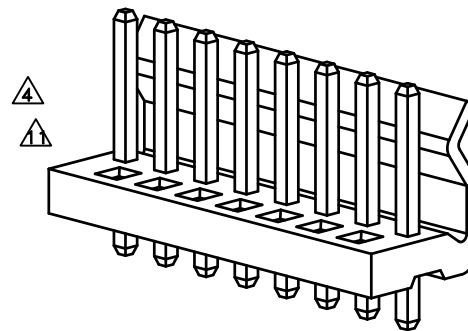


Recommended PCB Layout



Circuit No.1



▲ SPECIFICATIONS

- Voltage Rating : 250V AC/DC
- Current Rating : 7A AC/DC
- Withstanding Voltage : 1,500V AC/minute
- Insulation Resistance : 1,000MΩ min
- Temperature Range : - 25°C to + 85°C
- Contact Resistance : 20mΩ max

■ WAFER ▲

▲ 9 ▲ 8 • Part No. : JS-4001-XXX(X)(XX)

Product Code ① ② ③ ④

① Poles No: 02 ~ 18 ▲ 12

② Blank : Normal Square Pin
S : Square Pin with Holding Construction

③ Planted:Blank : Tin Plated
G : Gold Plated

④ Color:Blank : Nature
BU: Blue ▲ 13
R:Red ▲ 13

• Material :

- 1.Contact : Brass
- 2.Base : Nylon 66 UL94V-2
- 3.Planted : Refer the above options

▲ 12

Poles	Dimensions(mm)	
	A	B
2	3.96±0.25	7.92
3	7.92±0.25	11.88
4	11.88±0.25	15.84
5	15.84±0.25	19.80
6	19.80±0.30	23.76
7	23.76±0.30	27.72
8	27.72±0.30	31.68
9	31.68±0.30	35.64
10	35.64±0.35	39.60
11	39.60±0.35	43.56
12	43.56±0.35	47.52
13	47.52±0.35	51.48
14	51.48±0.40	55.44
15	55.44±0.40	59.40
16	59.40±0.40	63.36
17	63.36±0.45	67.32
18	67.32±0.45	71.28



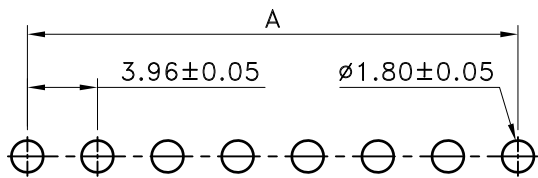
喬訊電子工業股份有限公司

CHYAO SHIUNN
ELECTRONIC INDUSTRIAL LTD.

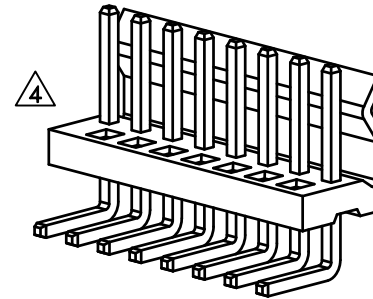
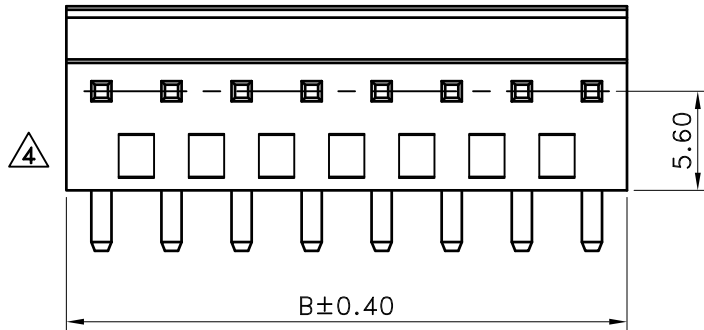
PART NO JS-4001-XXX(X)

3.96mm Wire to Board Power Connector, Straight

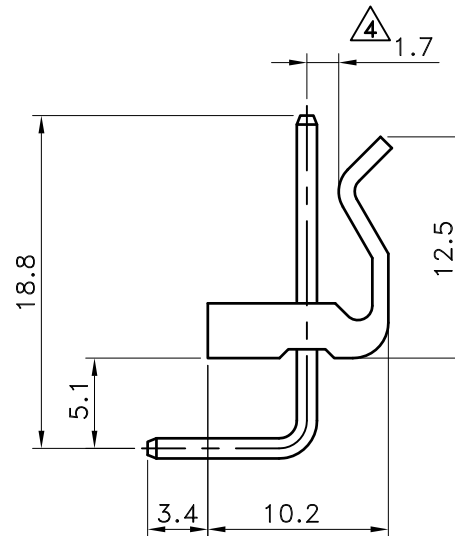
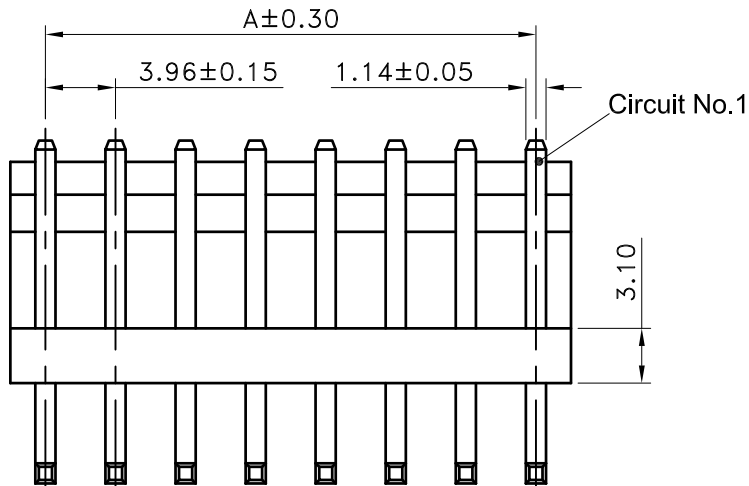
APPROVED BY	SCALE	UNIT	TOLERANCE	LTR	REVISION RECORD	NAME	DATE	LTR	REVISION RECORD	NAME	DATE
張育瑞		mm	.0 ±0.30	▲	修整物性表並增加3D圖檔ECR專用	王誠賢	10/11/20	▲	新增物料減膠圖面	譚玉華	15/06/15
CHECKED BY	PROJ	VER NO.	.00 ±0.20	▲	增加Holding Type	林豐盛	11/07/06	▲	添加 17、18pin位選項 修改A尺寸公差	謝君	21/04/08
劉娜		a13	.000 ±0.10	▲	增加V0 & V2膠殼寬度區分視圖	王誠賢	11/10/12	▲	添加 紅色 藍色規格選項	謝君	21/09/08
DRAWN BY	DATE	SIZE	ANGLE		V0與V2圖面分開	JACK	11/12/28	CUSTOMER			
謝君	2021/09/08	A4	0°	±1°	增加打內K標識,取消Holding Type	朱佑武	12/06/28				
			.0°	±	增加k選項	張逸維	12/08/30				
SHEET			1/1	▲	修正尺寸與實物一致	黃廣珍	12/12/7	Conforms to The RoHS Instruction			



RECOMMENDED PCB LAYOUT



3D VIEW



2 ■ SPECIFICATIONS

- Current Rating : 7A AC/DC
- Withstanding Voltage : 1,500V AC/minute
- Insulation Resistance : 1,000M Ω min
- Temperature Range : - 25°C to + 85°C
- Contact Resistance : 20m Ω max

3 ■ WAFER

- Part No. : JS-4001R-XX(X)

① ②

Part Code

① Poles : 02~16

② Plated :

Blank : Tin Plated

G : Gold Plated

•Material :

1.Contact : Brass

2.Base : Nylon 66 UL94V-2

3.Plated : Refer the above options

•Packing : Bag

Poles	Dimensions(mm)	
	A	B
2	3.96	7.92
3	7.92	11.88
4	11.88	15.84
5	15.84	19.80
6	19.80	23.76
7	23.76	27.72
8	27.72	31.68
9	31.68	35.64
10	35.64	39.60
11	39.60	43.56
12	43.56	47.52
13	47.52	51.48
14	51.48	55.44
15	55.44	59.40
16	59.40	63.36



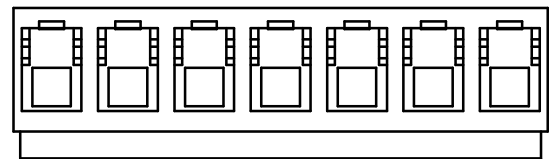
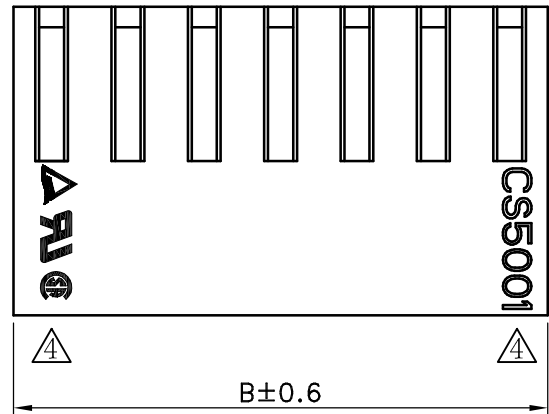
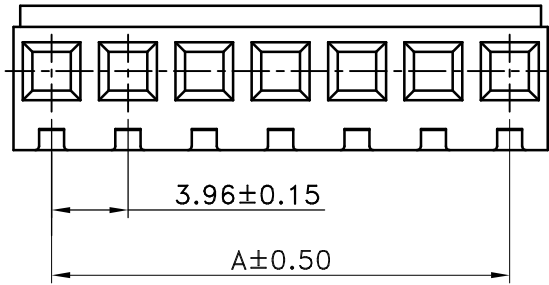
喬訊電子工業股份有限公司

CHYAO SHIUNN
ELECTRONIC INDUSTRIAL LTD.

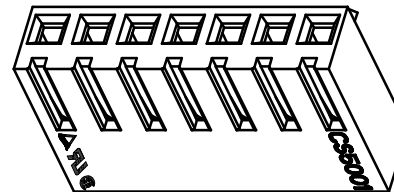
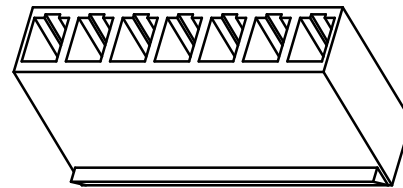
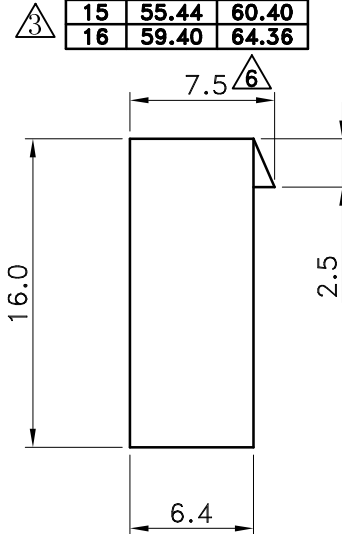
PART NO JS-4001R-XX(X)

3.96mm WIRE TO BOARD CONNECTOR, R/A TYPE

APPROVED BY	SCALE	UNIT	TOLERANCE	LTR	REVISION RECORD	NAME	DATE	LTR	REVISION RECORD	NAME	DATE
張育瑞		mm	.0 ±0.30	△	變更原因遺失	---	---	△			
CHECKED BY	PROJ	VER NO.	.00 ±0.20	△	修改物性表	王誠賢	2010/11/22	△			
周家慶	⊕	a4	.000 ±0.10	△	不同材質產品圖拆開	王誠賢	2012/02/22	△			
DRAWN BY	DATE	SIZE	ANGLE		依實物修改尺寸及增加掏料圖示	鄭小嬌	2015/08/13		CUSTOMER		
鄭小嬌	2015/08/13	A4	0° ±1°	△					Conforms to The RoHS Instruction		
			.0° ±	△							
			SHEET 1/1	△							



Poles	Dimensions(mm)	
	A	B
2	3.96	8.92
3	7.92	12.88
4	11.88	16.84
5	15.84	20.80
6	19.80	24.76
7	23.76	28.72
8	27.72	32.68
9	31.68	36.64
10	35.64	40.60
11	39.60	44.56
12	43.56	48.52
13	47.52	52.48
14	51.48	56.44
15	55.44	60.40
16	59.40	64.36



3D VIEW ④

SPECIFICATIONS

- Rated Voltage : 250 V AC/DC ⚠
- Current Rating : 7A AC/DC
- Withstanding Voltage : 1,500V AC/minute
- Insulation Resistance : 1,000MΩ min
- Temperature Range : - 25°C to + 85°C
- Contact Resistance : 20mΩ max

HOUSING

- Part No. : JS-5001-XX (XX) XX ⚠

Product Code ① ② ③

① Poles:2-16 ⚠

② Base Material :

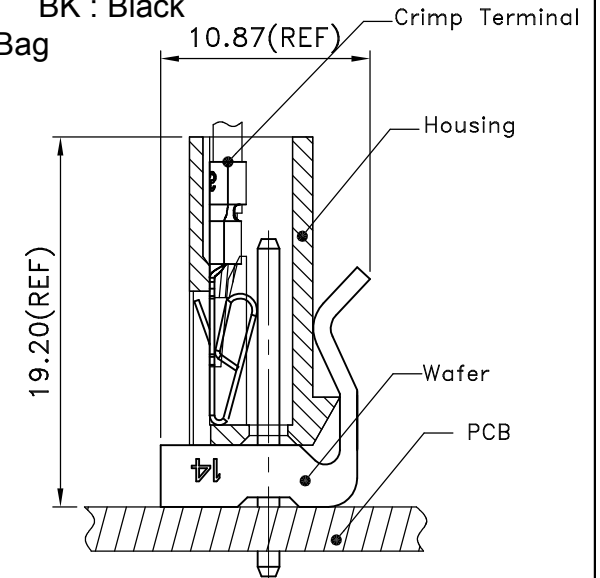
Blank : Nylon 66 UL94V-2

⚠ V0 : Nylon 66 UL94V-0 (only for 2~4p)

③ Color: Blank : Natural ⚠

BK : Black

- Package : Bag



ASSEMBLE (REF) ④



喬訊電子工業股份有限公司
CHYAO SHIUNN
ELECTRONIC INDUSTRIAL LTD.

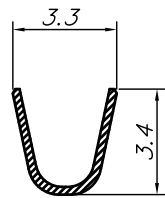
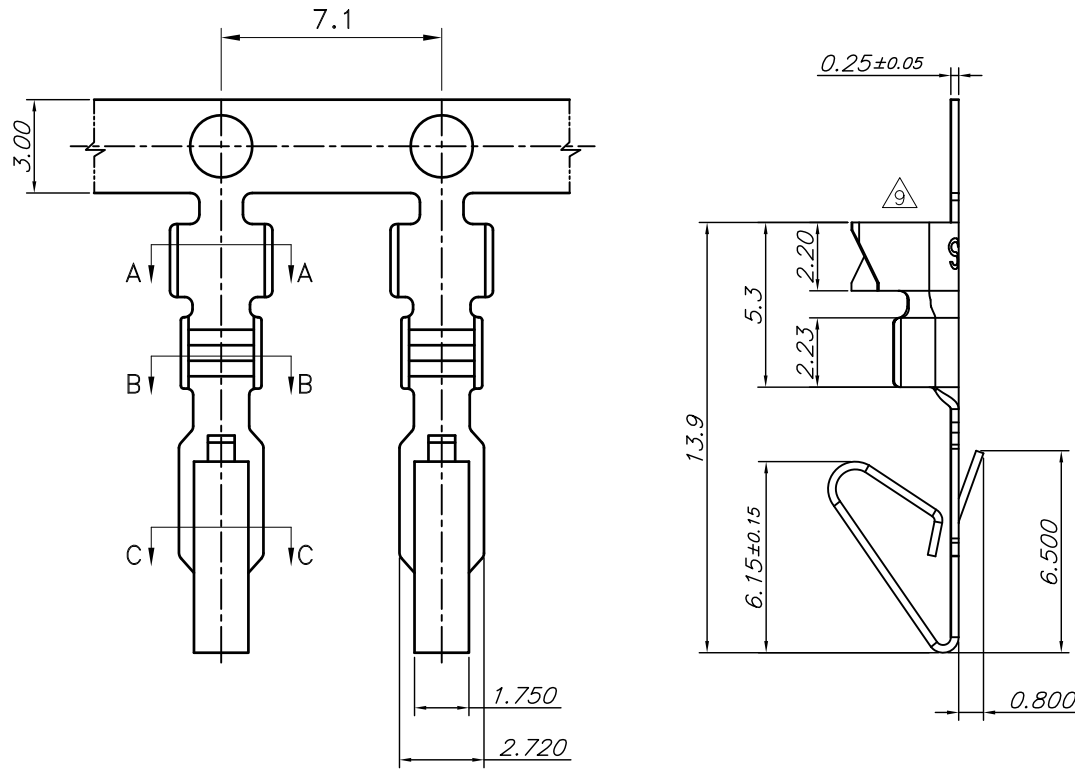
APPROVED BY	SCALE	UNIT	TOLERANCE	LTR	REVISION RECORD	NAME	DATE	LTR	REVISION RECORD	NAME	DATE
Tom Shih	1:1	mm	.0 ±0.30	⚠	增加三角標識	余秀麗	2005/05/15	⚠	增加材料V0選項	Eddie	2020/02/14
CHECKED BY	PROJ	VER NO.	.00 ±0.20	⚠	增加CS5001和UL TUV標識	金飛	2011/01/20	⚠			
Erin Chou	⊕	a8	.000 ±0.10	⚠	修正耐電流電壓,同時增加至16PIN	周家慶	2011/05/12	⚠			
DRAWN BY	DATE	SIZE	ANGLE	⚠	整理圖面,增加3D圖面	Jack-Z	2012/06/06				
Eddie	2020/02/14	A4	0° ±1°	⚠	修正料號選項,物性表Poles數修正	吳弘文	2012/07/04				
			.0° ±	⚠	修正尺寸,由7.8改為7.5	周南平	2012/09/18				
			SHEET 1/1	⚠	增加BK顏色選項	曾慶根	2019/04/12				

PART NO JS-5001-XX(XX)

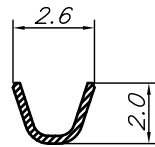
3.96mm Crimp Style Connectors Housing

CUSTOMER

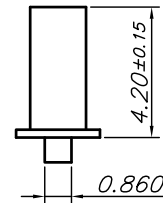
Conforms to The RoHS Instruction



A-A SEC



B-B SEC


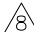


C-C SEC

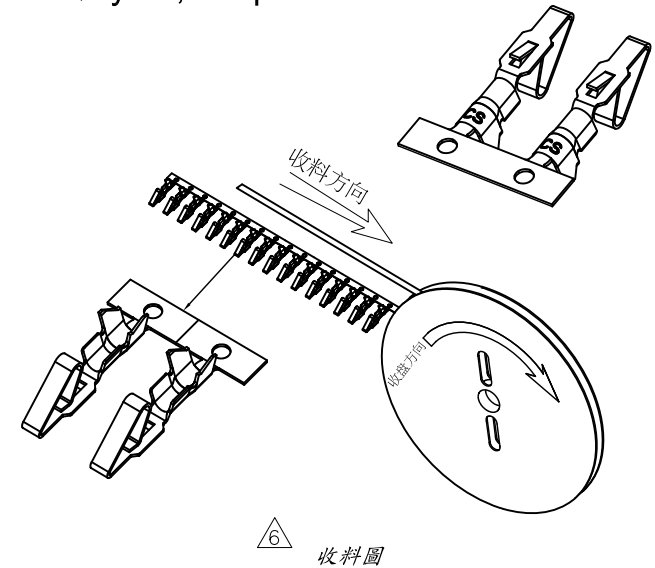
■ SPECIFICATIONS

- Current Rating : 7A AC/DC
- Withstanding Voltage : 1,500V AC/minute
- Insulation Resistance : 1,000MΩ min
- Temperature Range : - 25°C to + 85°C
- Contact Resistance : 20mΩ max

■ TERMINAL

- Part No. : JS-5001 - TX  

- ① T: Standard Process, Brass
- TP: Stamping before plated, Brass
- Applicate Wires : AWG# 18 - 24
- Material : Refer the above narrative
- Finish : Tin Plated
- Thickness : 0.25mm
- Q' ty : 6,000 pcs./Reel



收料圖



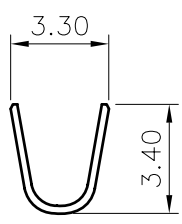
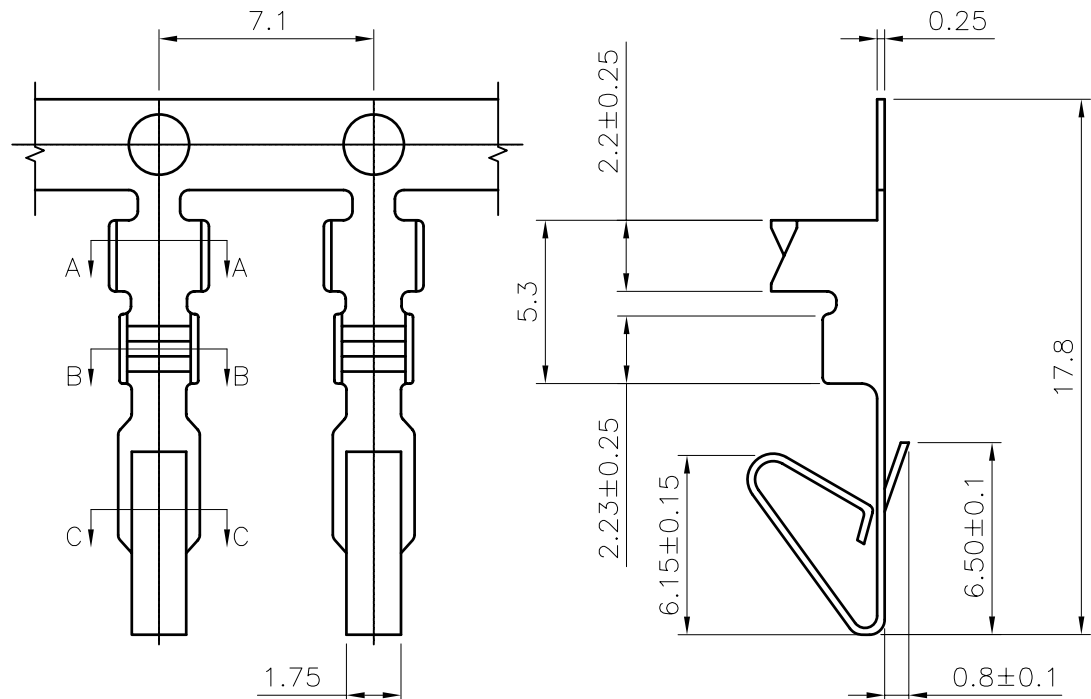
喬訊電子工業股份有限公司
CHYAO SHIUNN
ELECTRONIC INDUSTRIAL LTD.

APPROVED BY	SCALE	UNIT	TOLERANCE	LTR	REVISION RECORD	NAME	DATE	LTR	REVISION RECORD	NAME	DATE
張育瑞	1:1	mm	.0 ±0.30		DG 200607-001	劉蓮花	2006/07/25		增加TP規格選項	謝君	2022/11/17
CHECKED BY	PROJ	VER NO.	.00 ±0.20		DG 200609-006	劉蓮花	2006/09/21		依實物更改圖面	周自強	2023/04/28
劉娜		a9	.000 ±0.10		DG 200610-007	劉蓮花	2006/10/24				
DRAWN BY	DATE	SIZE	ANGLE		DG 200612-007	劉蓮花	2006/12/21				
周自強	2023/04/28	A4	0° ±1°		ECR201102003	周家慶	2011/02/21				
			.0° ±		整理圖面，增加3D圖面	Jack-S	2011/08/19				
			SHEET		1/1	jack	2012/04/05				

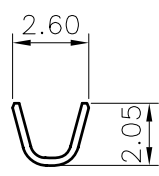
PART NO JS-5001-TX
3.96mm Crimp Style Connectors Terminal

CUSTOMER

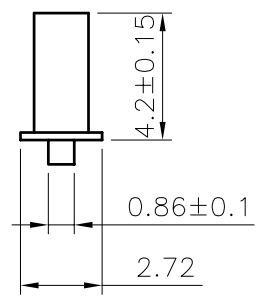
Conforms to The RoHS Instruction



A-A SEC



B-B SEC




C-C SEC

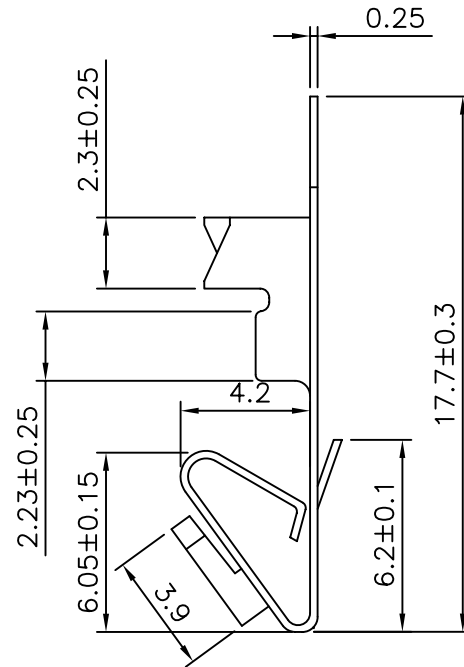
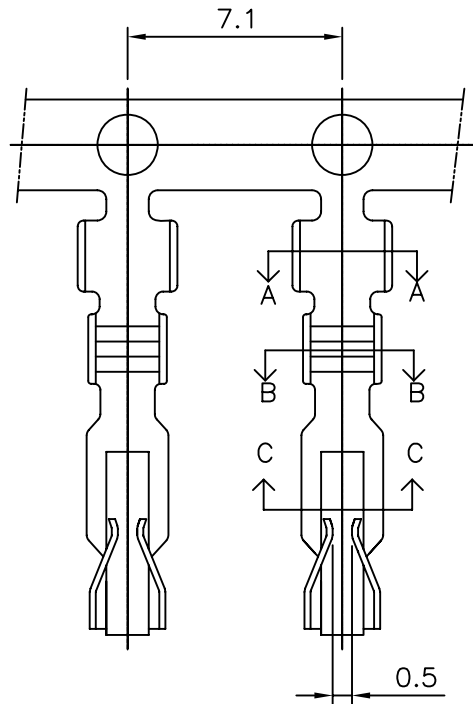
■ SPECIFICATIONS

- Voltage Rating : 250V AC/DC
- Current Rating : 5A AC/DC
- Withstanding Voltage : 1,500V AC/minute
- Insulation Resistance : 1,000MΩ min
- Temperature Range : - 25°C to + 85°C
- Contact Resistance : 20mΩ max

■ TERMINAL

- Part No. : JS-5001-T(G)
- Applicate Wires : AWG# 18 - 24
- Material : Brass
- Finish : Gold Plated
- Thickness : 0.25mm
- Q' ty : 6,000 pcs./Reel

 喬訊電子工業股份有限公司 CHYAO SHIUNN ELECTRONIC INDUSTRIAL LTD.	APPROVED BY	SCALE	UNIT	TOLERANCE		LTR	REVISION RECORD	DATE	LTR	REVISION RECORD	DATE
	林宗		mm	.0	±0.3	ECR	RoHS Compliant	06/04/01			
	CHECKED BY	PROJ	VER NO.	.00	±0.2						
				.000	±0.1						
PART NO	JS-5001-T(G)		α	ALL	±				CUSTOMER		
	DRAWN BY	DATE	SIZE	ANGLE							
3.96mm Crimp Style Connectors Terminal	黃科源	2008/08/27	A4	0°	±				Conforms to The RoHS Instruction		
				.0°	±						

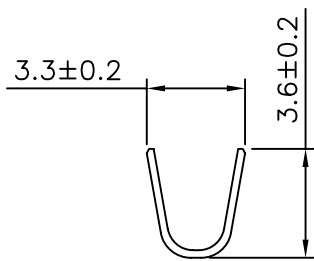


■ SPECIFICATIONS

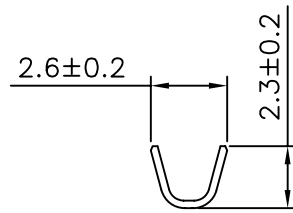
- Voltage Rating : 250V AC/DC
- Current Rating : 4A AC/DC
- Withstanding Voltage : 1,500V AC/minute
- Insulation Resistance : 500M Ω min
- Temperature Range : - 40°C to + 85°C
- Contact Resistance : 10m Ω max

■ TERMINAL

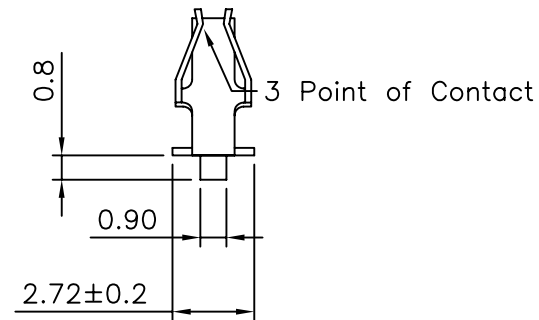
- Part No. : JS-5001-TA
JS-5001-TA : GP Produces
- Applicate Wires : AWG# 18 - 24
- Material : Brass
- Finish : Tin Plated
- Thickness : 0.25mm
- Q' ty : 7,000 pcs./Reel



A-A SEC



B-B SEC



C-C SEC



喬訊電子工業股份有限公司
CHYAO SHIUNN
ELECTRONIC INDUSTRIAL LTD.

APPROVED BY

林陳鏢

SCALE

4:1

UNIT

mm

TOLERANCE

.0 ±0.3

LTR

ECR

REVISION RECORD

DG 200605-009

DATE

06/05/18

LTR

REVISION RECORD

DG 200612-007

DATE

06/12/21

CHECKED BY

PROJ

VER NO.

.000 ±0.1

ALL ±

ANGLE

0° ±

.0° ±

PART NO JS-5001-TA

DRAWN BY

DATE

SIZE

0° ±

.0° ±

CUSTOMER

3.96mm Crimp Style Connectors Terminal

劉蓮花

2006/12/21

A4

Conforms to The RoHS Instruction