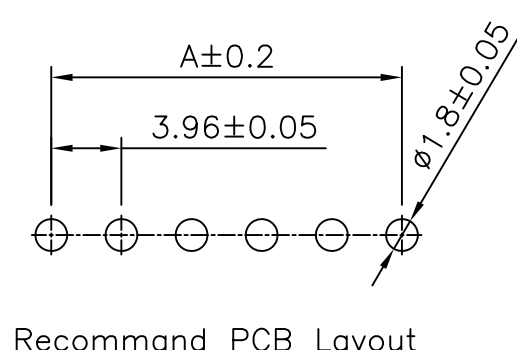


■ SPECIFICATIONS

- ⚠ Voltage Rating : 250 V AC/DC
- ⚠ Current Rating : 7A AC/DC
- Withstanding Voltage : 1,500V AC/minute
- Insulation Resistance : 1,000MΩ min
- Temperature Range : - 25°C to + 85°C
- Contact Resistance : 20mΩ max

■ WAFER

- ⚠ Part No. : JS-4002-XX (Straight) - Double Base Code No. ①
- ① Poles : 2 - 14
- Material : Contact : Brass, Tin Plated
Base : Nylon 66 UL94V-2
- Q' ty : 1,000 pcs./Bag



Poles	Dimensions(mm)	
	A	B
2	3.96	7.92
3	7.92	11.88
4	11.88	15.84
5	15.84	19.80
6	19.80	23.76
7	23.76	27.72
8	27.72	31.68
9	31.68	35.64
10	35.64	39.60
11	39.60	43.56
12	43.56	47.52
13	47.52	51.48
14	51.48	55.44

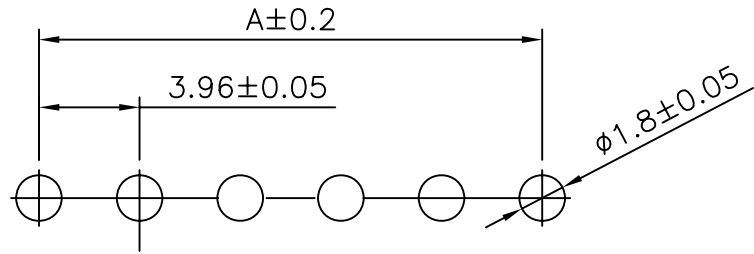


喬訊電子工業股份有限公司
CHYAO SHIUNN
ELECTRONIC INDUSTRIAL LTD.

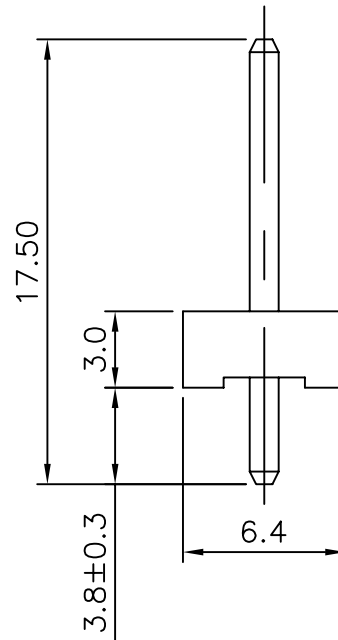
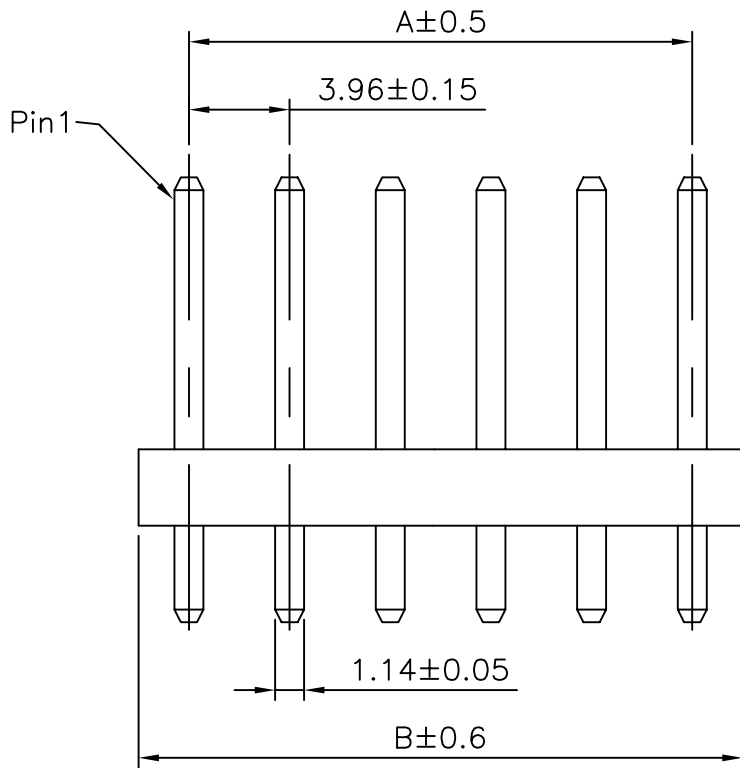
APPROVED BY	SCALE	UNIT	TOLERANCE	LTR	REVISION RECORD	NAME	DATE	LTR	REVISION RECORD	NAME	DATE
張育瑞		mm	.0 ±0.30	⚠	修改額定電壓	余秀麗	2005/05/15	⚠			
CHECKED BY	PROJ	VER NO.	.00 ±0.20	⚠	刪除舊GP料號, 依規格書修正規格	吳弘文	2013/11/11	⚠			
黃科源	⊕ □	a2	.000 ±0.10	⚠				⚠			
DRAWN BY	DATE	SIZE	ANGLE						CUSTOMER		
吳弘文	2013/11/11	A4	0° ±1°	⚠					Conforms to The RoHS Instruction		
			.0° ±	⚠							
			SHEET	1/1	⚠						

PART NO JS-4002-XX

3.96mm Crimp Style Connectors Wafer



Recommended PCB Layout



■ SPECIFICATIONS

- Voltage Rating : 250 V AC/DC
- Current Rating : 7A AC/DC
- Withstanding Voltage : 1,500V AC/minute
- Insulation Resistance : 1,000M Ω min
- Temperature Range : - 25°C to + 85°C
- Contact Resistance : 20m Ω max

■ WAFER

- Part No. : JS-4003-XXX (Straight)
- Poles : 2 - 14
- Material : Contact : Brass, Tin Plated
Base : Nylon 66 UL94V-2
- Q' ty : 1,000 pcs./Bag

Poles	Dimensions(mm)	
	A	B
2	3.96	7.92
3	7.92	11.88
4	11.88	15.84
5	15.84	19.80
6	19.80	23.76
7	23.76	27.72
8	27.72	31.68
9	31.68	35.64
10	35.64	39.60
11	39.60	43.56
12	43.56	47.52
13	47.52	51.48
14	51.48	55.44

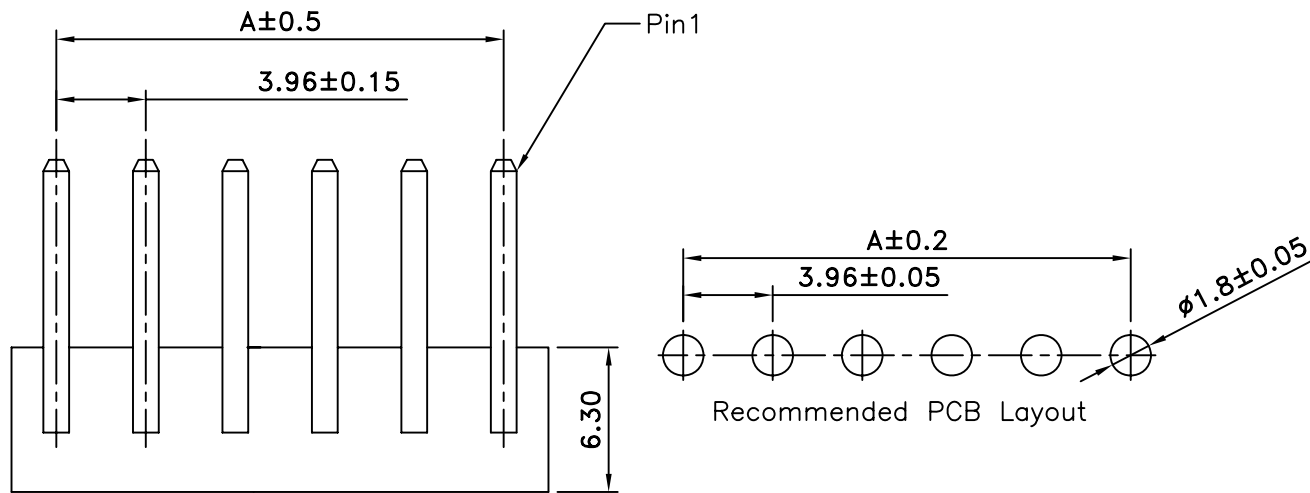


喬訊電子工業股份有限公司
CHYAO SHIUNN
ELECTRONIC INDUSTRIAL LTD.

APPROVED BY	SCALE	UNIT	TOLERANCE	LTR	REVISION RECORD	NAME	DATE	LTR	REVISION RECORD	NAME	DATE
張育瑞		mm	.0 ±0.30	△	RoHS Compliant	余秀麗	2005/05/15	△			
CHECKED BY	PROJ	VER NO.	.00 ±0.20	△	套用新圖框, 修改電壓電流, 刪GP	張逸維	2013/02/05	△			
黃科源	⊕ □	a2	.000 ±0.10	△				△			
DRAWN BY	DATE	SIZE	ANGLE	△					CUSTOMER		
張逸維	2013/02/05	A4	0° ±1°	△					Conforms to The RoHS Instruction		
			.0° ±	△							
			SHEET 1/1	△							

PART NO JS-4003-XX

3.96mm Crimp Style Connectors Wafer

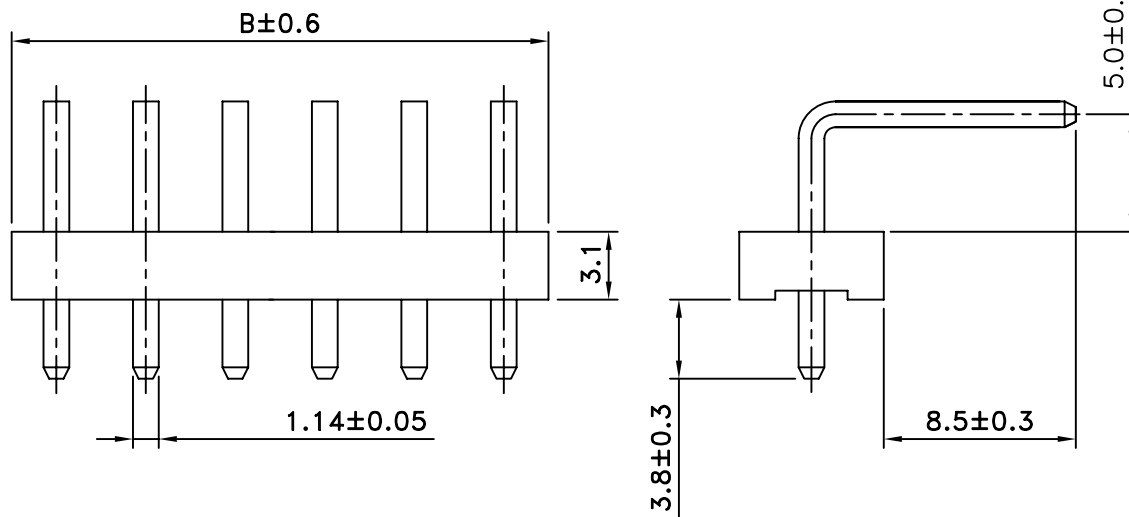


■ SPECIFICATIONS

- Voltage Rating : 250 V AC/DC
- Current Rating : 7A AC/DC
- Withstanding Voltage : 1,500V AC/minute
- Insulation Resistance : 1,000MΩ min
- Temperature Range : - 25°C to + 85°C
- Contact Resistance : 20mΩ max

■ WAFER

- Part No. : JS-4003R-XXX (Right Angle)
- Poles : 2 - 14
- Material : Contact : Brass, Tin Plated
Base : Nylon 66 UL94V-2
- Q' ty : 1,000 pcs./Bag



Poles	Dimensions(mm)	
	A	B
2	3.96	7.92
3	7.92	11.88
4	11.88	15.84
5	15.84	19.80
6	19.80	23.76
7	23.76	27.72
8	27.72	31.68
9	31.68	35.64
10	35.64	39.60
11	39.60	43.56
12	43.56	47.52
13	47.52	51.48
14	51.48	55.44

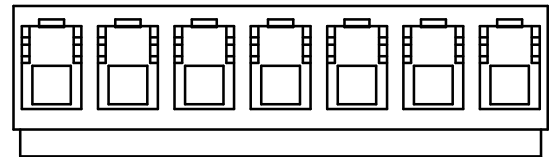
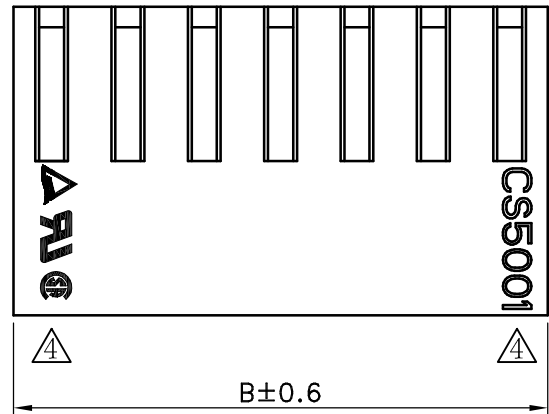
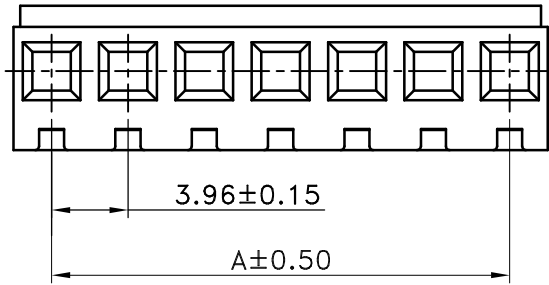


喬訊電子工業股份有限公司
CHYAO SHIUNN
ELECTRONIC INDUSTRIAL LTD.

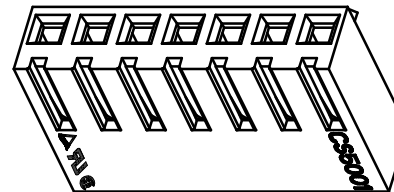
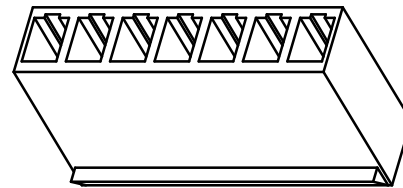
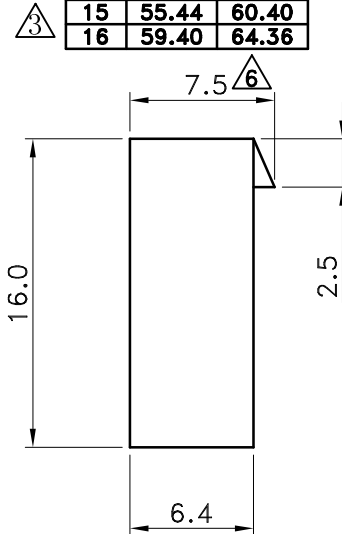
APPROVED BY	SCALE	UNIT	TOLERANCE	LTR	REVISION RECORD	NAME	DATE	LTR	REVISION RECORD	NAME	DATE
張育瑞		mm	.0 ±0.30	△	RoHS Compliant	XXX	2006/04/01	△			
CHECKED BY	PROJ	VER NO.	.00 ±0.20	△	套新圖框, 修正電壓電流, 刪GP	張逸維	2006/11/24	△			
黃科源	⊕	a2	.000 ±0.10	△				△			
DRAWN BY	DATE	SIZE	ANGLE	△					CUSTOMER		
張逸維	2013/02/05	A4	0° ±1°	△							
			.0° ±	△					Conforms to The RoHS Instruction		
			SHEET 1/1	△							

PART NO JS-4003R-XX

3.96mm Crimp Style Connectors Wafer



Poles	Dimensions(mm)	
	A	B
2	3.96	8.92
3	7.92	12.88
4	11.88	16.84
5	15.84	20.80
6	19.80	24.76
7	23.76	28.72
8	27.72	32.68
9	31.68	36.64
10	35.64	40.60
11	39.60	44.56
12	43.56	48.52
13	47.52	52.48
14	51.48	56.44
15	55.44	60.40
16	59.40	64.36



3D VIEW ④

SPECIFICATIONS

- Rated Voltage : 250 V AC/DC ⑤
- Current Rating : 7A AC/DC
- Withstanding Voltage : 1,500V AC/minute
- Insulation Resistance : 1,000MΩ min
- Temperature Range : - 25°C to + 85°C
- Contact Resistance : 20mΩ max

HOUSING

- Part No. : JS-5001-XX (XX) XX ⑤

Product Code ① ② ③

① Poles:2-16 ⑤

② Base Material :

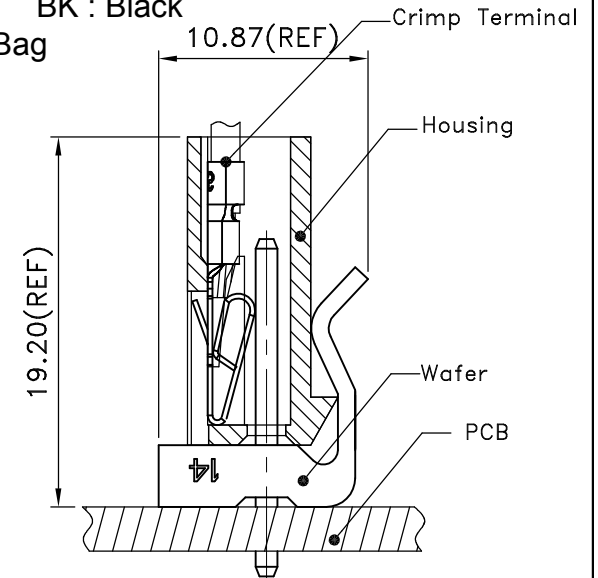
Blank : Nylon 66 UL94V-2

⑧ V0 : Nylon 66 UL94V-0 (only for 2~4p)

③ Color: Blank : Natural ①

BK : Black

- Package : Bag



ASSEMBLE (REF) ④



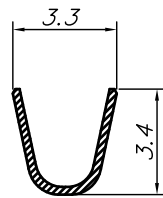
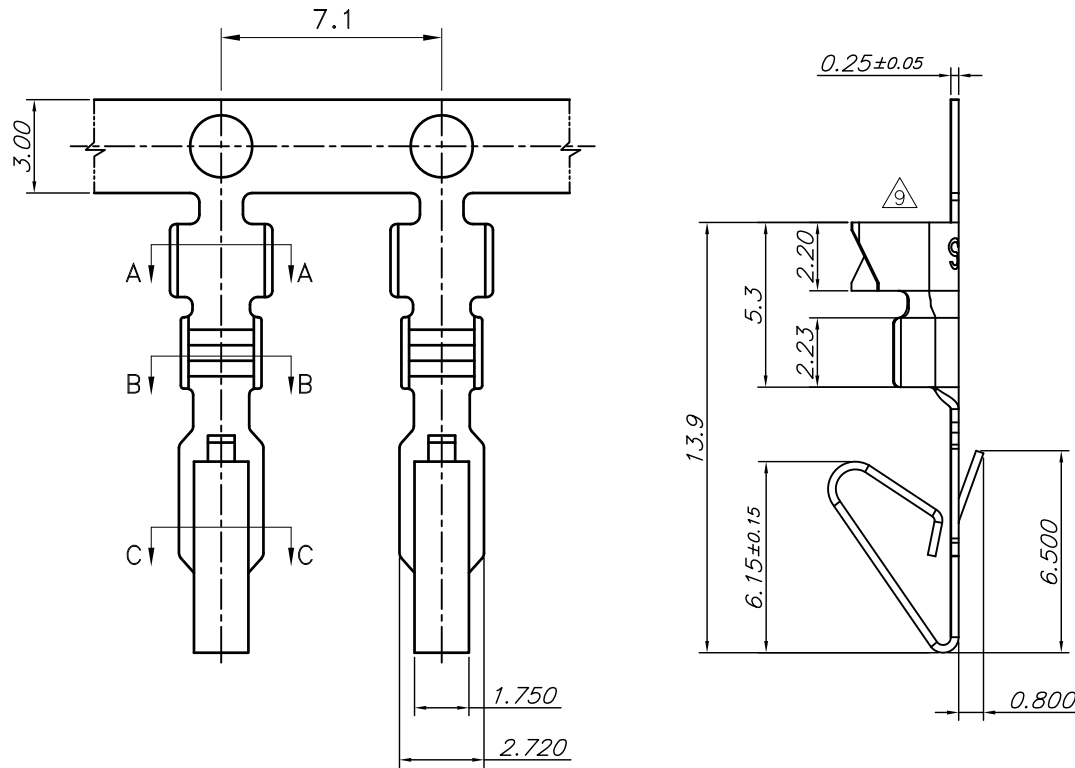
喬訊電子工業股份有限公司
CHYAO SHIUNN
ELECTRONIC INDUSTRIAL LTD.

APPROVED BY	SCALE	UNIT	TOLERANCE	LTR	REVISION RECORD	NAME	DATE	LTR	REVISION RECORD	NAME	DATE
Tom Shih	1:1	mm	.0 ±0.30	①	增加三角標識	余秀麗	2005/05/15	⑧	增加材料V0選項	Eddie	2020/02/14
CHECKED BY	PROJ	VER NO.	.00 ±0.20	②	增加CS5001和UL TUV標識	金飛	2011/01/20	⑨			
Erin Chou	④	a8	.000 ±0.10	③	修正耐電流電壓,同時增加至16PIN	周家慶	2011/05/12	⑩			
DRAWN BY	DATE	SIZE	ANGLE		④	整理圖面,增加3D圖面	Jack-Z	2012/06/06	CUSTOMER		
Eddie	2020/02/14	A4	0°	±1°	⑤	修正料號選項,物性表Poles數修正	吳弘文	2012/07/04			
			.0°	±	⑥	修正尺寸,由7.8改為7.5	周南平	2012/09/18			
			SHEET	1/1	⑦	增加BK顏色選項	曾慶根	2019/04/12			

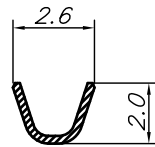
PART NO JS-5001-XX(XX)

3.96mm Crimp Style Connectors Housing

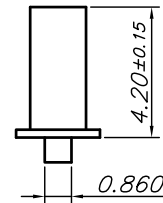
Conforms to The RoHS Instruction



A-A SEC



B-B SEC





C-C SEC

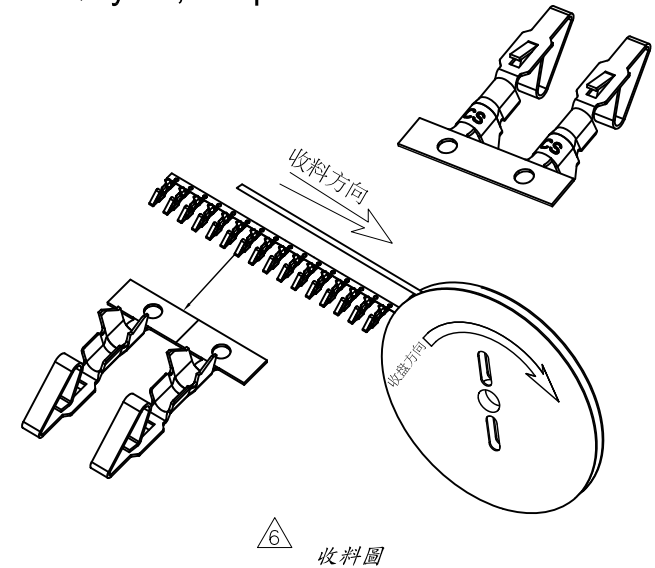
■ SPECIFICATIONS

- Current Rating : 7A AC/DC
- Withstanding Voltage : 1,500V AC/minute
- Insulation Resistance : 1,000MΩ min
- Temperature Range : - 25°C to + 85°C
- Contact Resistance : 20mΩ max

■ TERMINAL

- Part No. : JS-5001 - TX  

- ① T: Standard Process, Brass
- TP: Stamping before plated, Brass
- Applicable Wires : AWG# 18 - 24
- Material : Refer the above narrative
- Finish : Tin Plated
- Thickness : 0.25mm
- Q' ty : 6,000 pcs./Reel



收料圖

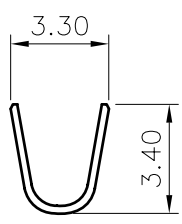
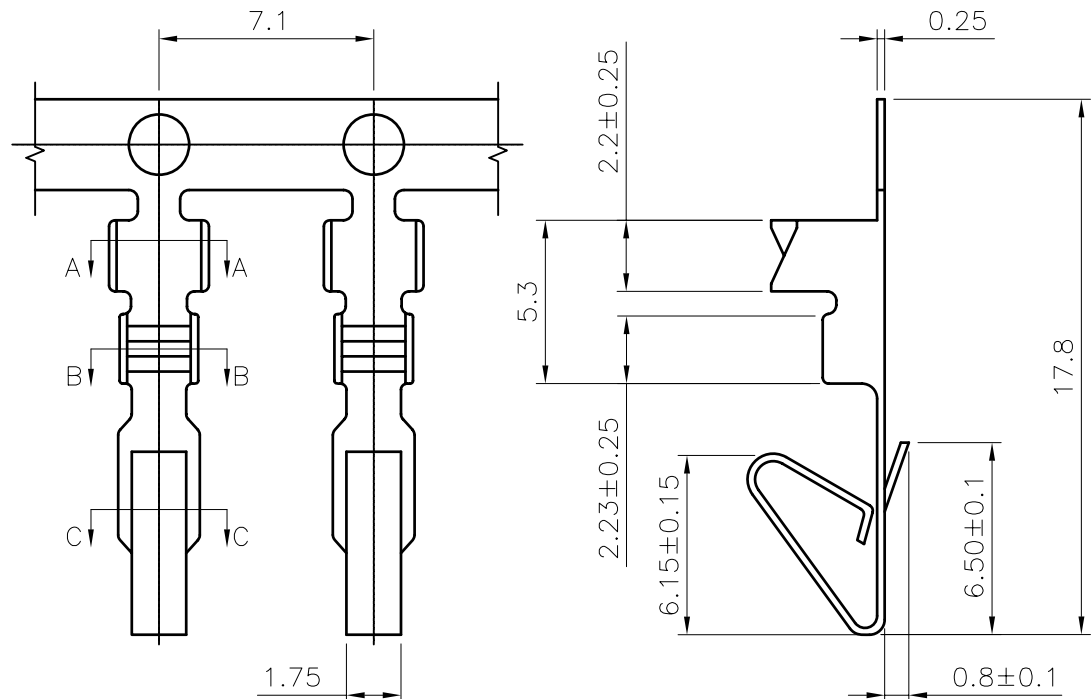


喬訊電子工業股份有限公司
CHYAO SHIUNN
ELECTRONIC INDUSTRIAL LTD.

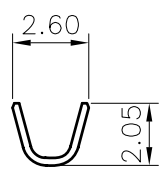
APPROVED BY	SCALE	UNIT	TOLERANCE	LTR	REVISION RECORD	NAME	DATE	LTR	REVISION RECORD	NAME	DATE
張育瑞	1:1	mm	.0 ±0.30		DG 200607-001	劉蓮花	2006/07/25		增加TP規格選項	謝君	2022/11/17
CHECKED BY	PROJ	VER NO.	.00 ±0.20		DG 200609-006	劉蓮花	2006/09/21		依實物更改圖面	周自強	2023/04/28
劉娜		a9	.000 ±0.10		DG 200610-007	劉蓮花	2006/10/24				
DRAWN BY	DATE	SIZE	ANGLE		DG 200612-007	劉蓮花	2006/12/21				
周自強	2023/04/28	A4	0° ±1°		ECR201102003	周家慶	2011/02/21				
			.0° ±		整理圖面，增加3D圖面	Jack-S	2011/08/19				
			SHEET		1/1	jack	2012/04/05				
									CUSTOMER		
									Conforms to The RoHS Instruction		

3.96mm Crimp Style Connectors Terminal

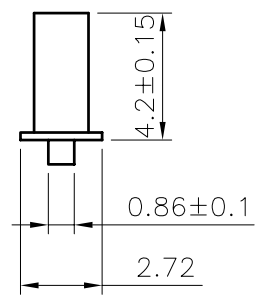
PART NO JS-5001-TX



A-A SEC



B-B SEC



C-C SEC

■ SPECIFICATIONS

- Voltage Rating : 250V AC/DC
- Current Rating : 5A AC/DC
- Withstanding Voltage : 1,500V AC/minute
- Insulation Resistance : 1,000MΩ min
- Temperature Range : - 25°C to + 85°C
- Contact Resistance : 20mΩ max

■ TERMINAL

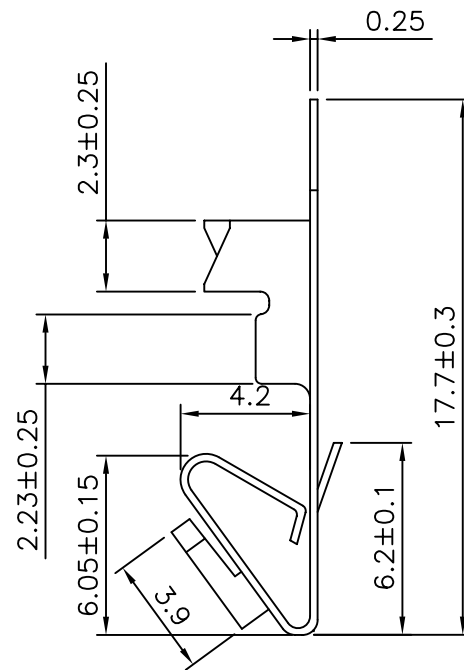
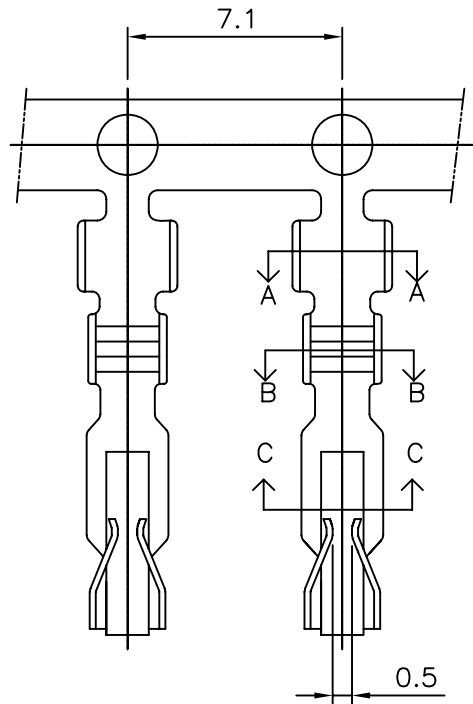
- Part No. : JS-5001-T(G)
- Applicate Wires : AWG# 18 - 24
- Material : Brass
- Finish : Gold Plated
- Thickness : 0.25mm
- Q' ty : 6,000 pcs./Reel



喬訊電子工業股份有限公司
CHYAO SHIUNN
ELECTRONIC INDUSTRIAL LTD.

APPROVED BY	SCALE	UNIT	TOLERANCE	LTR	REVISION RECORD	DATE	LTR	REVISION RECORD	DATE
林宗		mm	.0 ±0.3	ECR	RoHS Compliant	06/04/01			
CHECKED BY	PROJ	VER NO.	.00 ±0.2						
		α	.000 ±0.1						
DRAWN BY	DATE	SIZE	ALL ±				CUSTOMER		
黃科源	2008/08/27	A4	0° ±				Conforms to The RoHS Instruction		
			.0° ±						

PART NO JS-5001-T(G)
 3.96mm Crimp Style Connectors Terminal

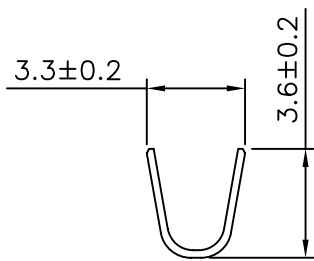


■ SPECIFICATIONS

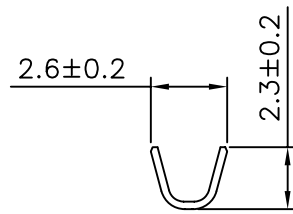
- Voltage Rating : 250V AC/DC
- Current Rating : 4A AC/DC
- Withstanding Voltage : 1,500V AC/minute
- Insulation Resistance : 500M Ω min
- Temperature Range : - 40°C to + 85°C
- Contact Resistance : 10m Ω max

■ TERMINAL

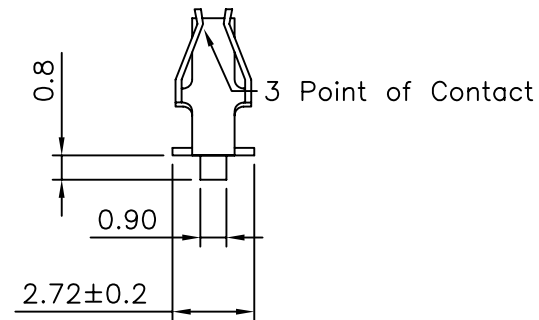
- Part No. : JS-5001-TA
JS-5001-TA : GP Produces
- Applicate Wires : AWG# 18 - 24
- Material : Brass
- Finish : Tin Plated
- Thickness : 0.25mm
- Q' ty : 7,000 pcs./Reel



A-A SEC



B-B SEC



C-C SEC



喬訊電子工業股份有限公司
CHYAO SHIUNN
ELECTRONIC INDUSTRIAL LTD.

APPROVED BY

林陳鏞

SCALE

4:1

UNIT

mm

TOLERANCE

.0 ±0.3

LTR

ECR

REVISION RECORD

DG 200605-009

DATE

06/05/18

LTR

REVISION RECORD

DG 200612-007

DATE

06/12/21

CHECKED BY

PROJ

VER NO.

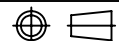
.000 ±0.1

ECR

DG 200612-007

06/12/21

PART NO JS-5001-TA



2

ALL ±

ANGLE

CUSTOMER

3.96mm Crimp Style Connectors Terminal

劉蓮花

2006/12/21

A4

0° ±

.0° ±

Conforms to The RoHS Instruction