

■ SPECIFICATIONS

- Voltage Rating : 250 V AC/DC
- Current Rating : 4A AC/DC
- Withstanding Voltage : 1,500V AC/minute
- Insulation Resistance : 500MΩ min
- Temperature Range : - 40°C to +85°C
- Contact Resistance : 10mΩ max

■ HOUSING

- Part No. : JS-1138-06
- Poles : 6
- Material : Nylon 66 UL94V-2
- Q' ty : 1,000 pcs./Bag

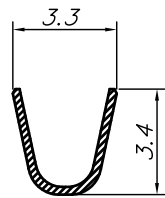
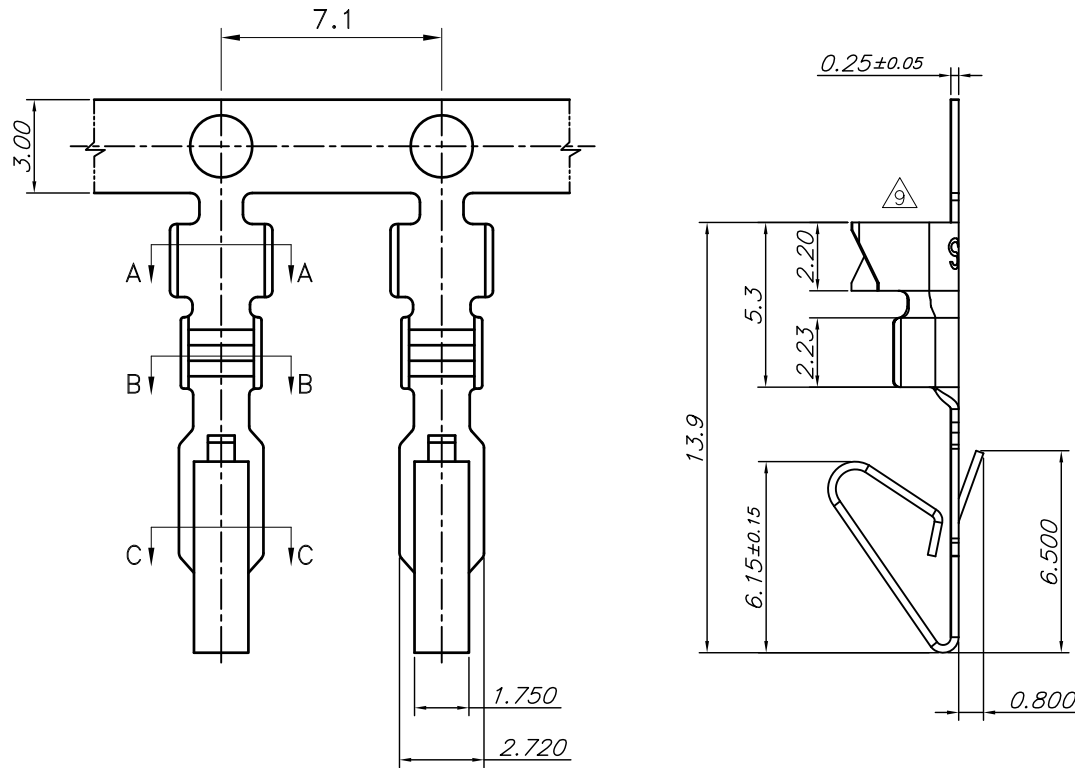


喬訊電子工業股份有限公司
CHYAO SHIUNN
ELECTRONIC INDUSTRIAL LTD.

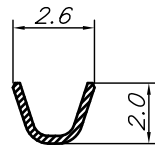
APPROVED BY	SCALE	UNIT	TOLERANCE	LTR	REVISION RECORD	NAME	DATE	LTR	REVISION RECORD	NAME	DATE
Tom Shih		mm	.0 ±0.30	△	RoHS Compliant	N/A	07/01/05	△			
CHECKED BY	PROJ	VER NO.	.00 ±0.20	△	200708-008	N/A	08/08/15	△			
Tom Shih	⊕ □	a3	.000 ±0.10	△	Correct the drawing to match actual product.	Erin	2016/12/02	△			
DRAWN BY	DATE	SIZE	ANGLE						CUSTOMER		
Erin	2016/12/02	A4	0° ±1°	△					Conforms to The RoHS Instruction		
			.0° ±	△							
			SHEET	1/1	△						

PART NO JS-1138-06

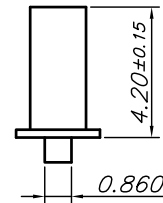
3.96mm Crimp Style Connectors Housing



A-A SEC



B-B SEC





C-C SEC

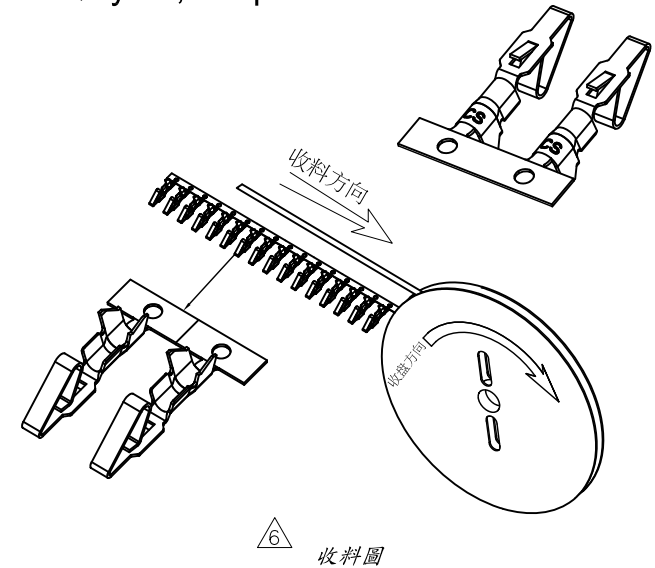
■ SPECIFICATIONS

- Current Rating : 7A AC/DC
- Withstanding Voltage : 1,500V AC/minute
- Insulation Resistance : 1,000MΩ min
- Temperature Range : - 25°C to + 85°C
- Contact Resistance : 20mΩ max

■ TERMINAL

- Part No. : JS-5001 - TX  

- ① T: Standard Process, Brass
- TP: Stamping before plated, Brass
- Applicable Wires : AWG# 18 - 24
- Material : Refer the above narrative
- Finish : Tin Plated
- Thickness : 0.25mm
- Q' ty : 6,000 pcs./Reel



收料圖



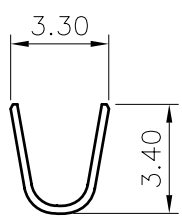
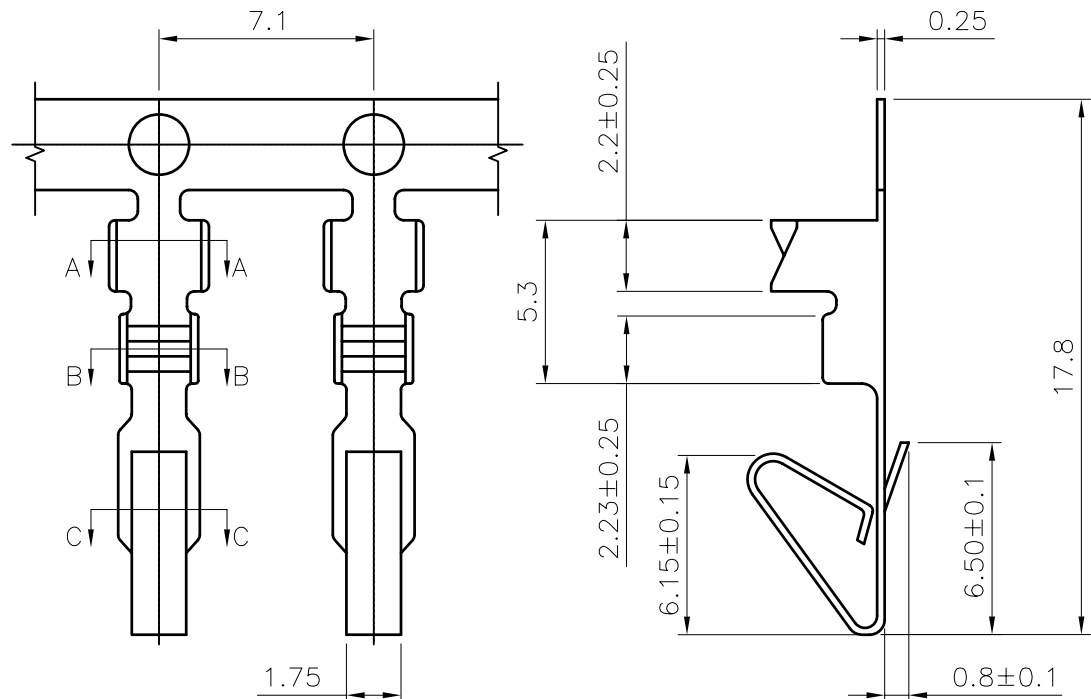
喬訊電子工業股份有限公司
CHYAO SHIUNN
ELECTRONIC INDUSTRIAL LTD.

APPROVED BY	SCALE	UNIT	TOLERANCE	LTR	REVISION RECORD	NAME	DATE	LTR	REVISION RECORD	NAME	DATE
張育瑞	1:1	mm	.0 ±0.30		DG 200607-001	劉蓮花	2006/07/25		增加TP規格選項	謝君	2022/11/17
CHECKED BY	PROJ	VER NO.	.00 ±0.20		DG 200609-006	劉蓮花	2006/09/21		依實物更改圖面	周自強	2023/04/28
劉娜		a9	.000 ±0.10		DG 200610-007	劉蓮花	2006/10/24				
DRAWN BY	DATE	SIZE	ANGLE		DG 200612-007	劉蓮花	2006/12/21				
周自強	2023/04/28	A4	0° ±1°		ECR201102003	周家慶	2011/02/21				
			.0° ±		整理圖面，增加3D圖面	Jack-S	2011/08/19				
			SHEET 1/1		去掉非環保產品	jack	2012/04/05				

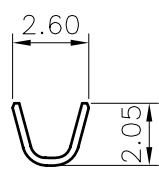
PART NO JS-5001-TX
3.96mm Crimp Style Connectors Terminal

CUSTOMER

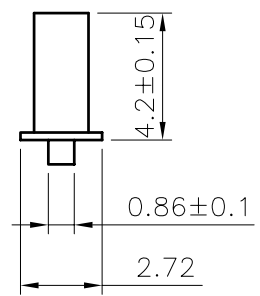
Conforms to The RoHS Instruction



A-A SEC



B-B SEC




C-C SEC

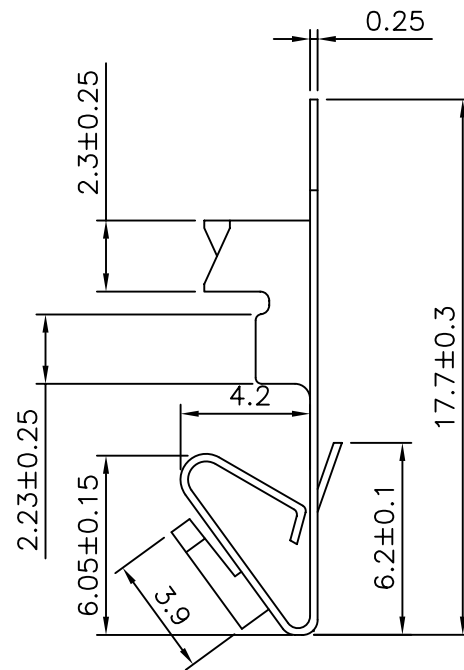
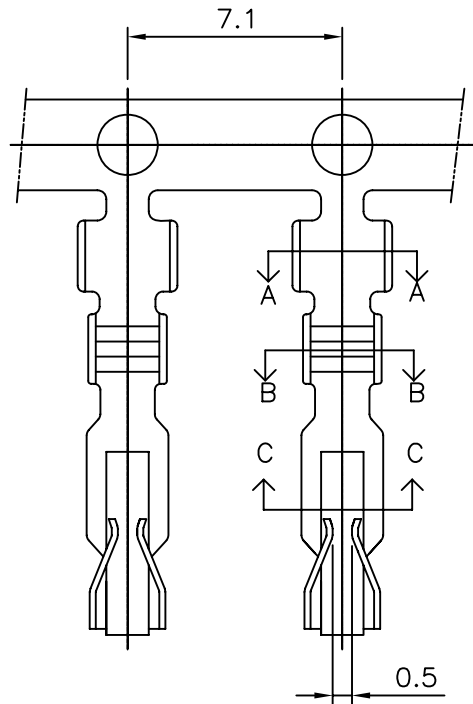
■ SPECIFICATIONS

- Voltage Rating : 250V AC/DC
- Current Rating : 5A AC/DC
- Withstanding Voltage : 1,500V AC/minute
- Insulation Resistance : 1,000MΩ min
- Temperature Range : - 25°C to + 85°C
- Contact Resistance : 20mΩ max

■ TERMINAL

- Part No. : JS-5001-T(G)
- Applicate Wires : AWG# 18 - 24
- Material : Brass
- Finish : Gold Plated
- Thickness : 0.25mm
- Q' ty : 6,000 pcs./Reel

 喬訊電子工業股份有限公司 CHYAO SHIUNN ELECTRONIC INDUSTRIAL LTD.	APPROVED BY	SCALE	UNIT	TOLERANCE		LTR	REVISION RECORD	DATE	LTR	REVISION RECORD	DATE		
	林宗		mm	.0	±0.3	ECR	RoHS Compliant	06/04/01					
PART NO	JS-5001-T(G)	CHECKED BY	PROJ	VER NO.	.00								
3.96mm Crimp Style Connectors Terminal	黃科源	DATE	DATE	SIZE	.000	±0.1							
					⊕	α	ALL	±					
					ANGLE	0°	±						
			2008/08/27	A4	.0°	±					Conforms to The RoHS Instruction		

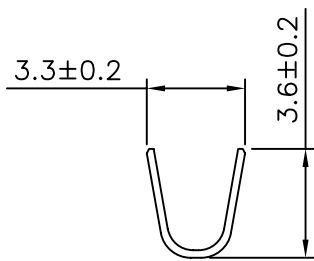


■ SPECIFICATIONS

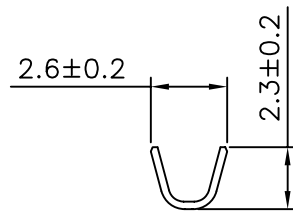
- Voltage Rating : 250V AC/DC
- Current Rating : 4A AC/DC
- Withstanding Voltage : 1,500V AC/minute
- Insulation Resistance : 500M Ω min
- Temperature Range : - 40°C to + 85°C
- Contact Resistance : 10m Ω max

■ TERMINAL

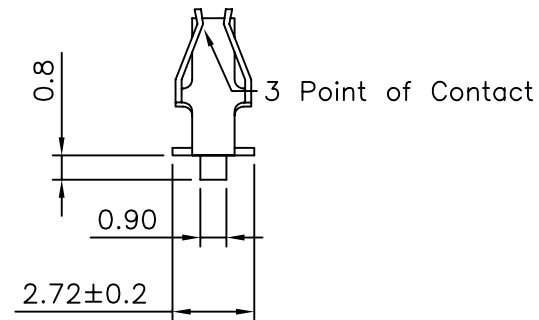
- Part No. : JS-5001-TA
JS-5001-TA : GP Produces
- Applicate Wires : AWG# 18 - 24
- Material : Brass
- Finish : Tin Plated
- Thickness : 0.25mm
- Q' ty : 7,000 pcs./Reel



A-A SEC



B-B SEC



C-C SEC



喬訊電子工業股份有限公司
CHYAO SHIUNN
ELECTRONIC INDUSTRIAL LTD.

APPROVED BY

林陳鏞

SCALE

4:1

UNIT

mm

TOLERANCE

.0 ±0.3

LTR

ECR

REVISION RECORD

DG 200605-009

DATE

06/05/18

LTR

REVISION RECORD

DG 200612-007

DATE

06/12/21

CHECKED BY

PROJ

VER NO.

.000 ±0.1

ALL ±

ANGLE

0° ±

.0° ±

PART NO JS-5001-TA

DRAWN BY

DATE

SIZE

0° ±

.0° ±

CUSTOMER

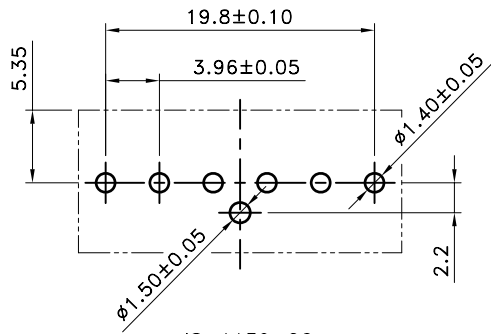
Conforms to The RoHS Instruction

3.96mm Crimp Style Connectors Terminal

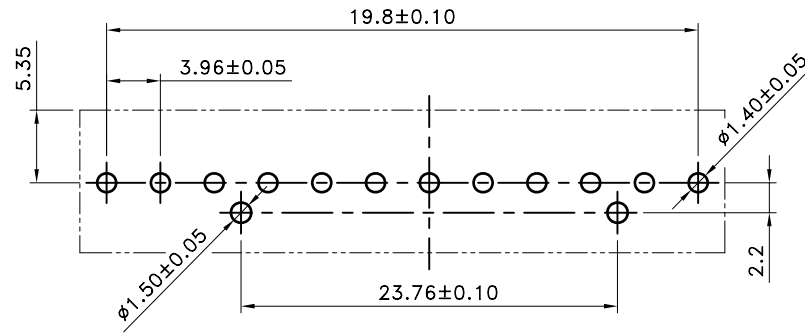
劉蓮花

2006/12/21

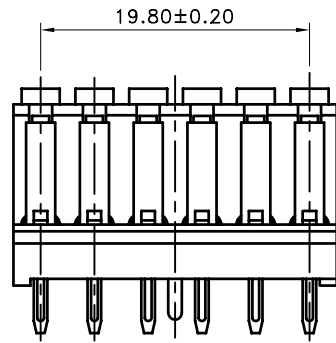
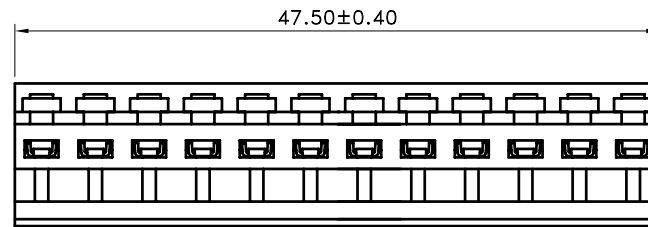
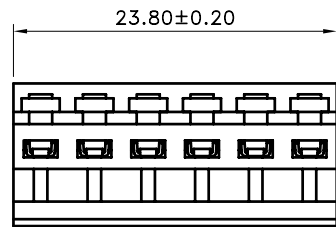
A4



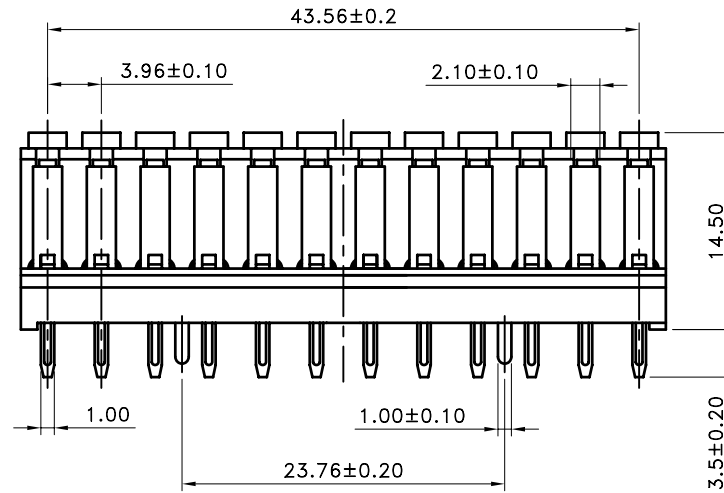
JS-1139-06
Recommended PCB Layout



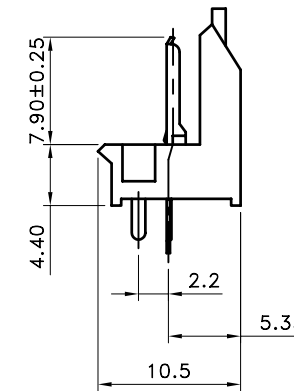
JS-1139-12
Recommended PCB Layout



JS-1139-06



JS-1139-12



■ SPECIFICATIONS

- Voltage Rating : 250 V AC/DC
- Current Rating : 4A AC/DC
- Withstanding Voltage : 1,500V AC/minute
- Insulation Resistance : 500MΩ min
- Temperature Range : - 40°C to + 85°C
- Contact Resistance : 10mΩ max

■ WAFER

- Part No. : JS-1139-XX
- Poles : 6, 12(With Peg)
- Material : Contact : Brass, Tin Plated
Base : Nylon 66 UL94V-2
- Q' ty : 1,000 pcs./Bag

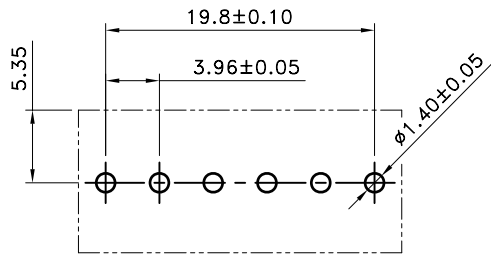


喬訊電子工業股份有限公司
CHYAO SHIUNN
ELECTRONIC INDUSTRIAL LTD.

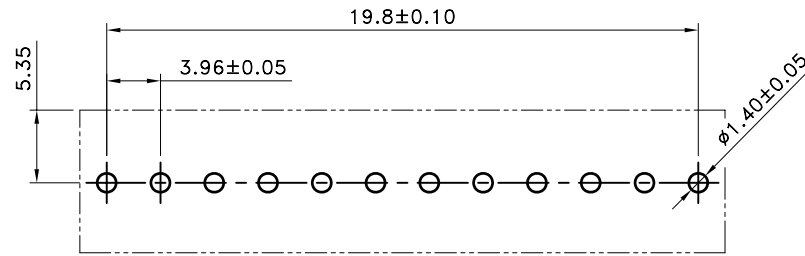
APPROVED BY	SCALE	UNIT	TOLERANCE	LTR	REVISION RECORD	DATE	LTR	REVISION RECORD	DATE
林宗		mm	.0 ±0.3	ECR	RoHS Compliant	07/01/04			
CHECKED BY	PROJ	VER NO.	.00 ±0.2	ECR	200901-011	09/01/15			
			.000 ±0.1						
			ALL ±						
			ANGLE						
			0° ±						
			.0° ±						
DRAWN BY	DATE	SIZE					CUSTOMER		
黃科源	2009/01/15	A4					Conforms to The RoHS Instruction		

PART NO JS-1139-XX

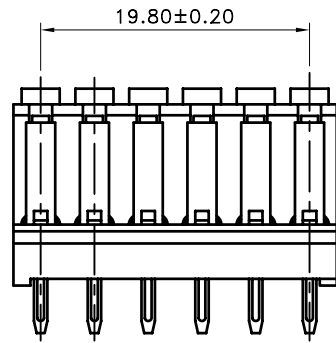
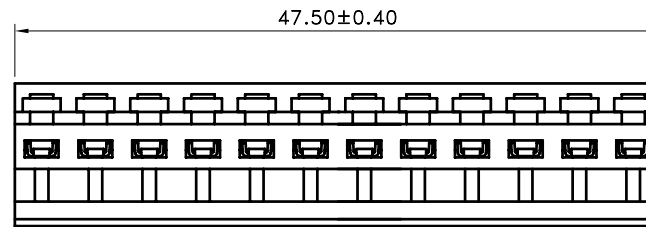
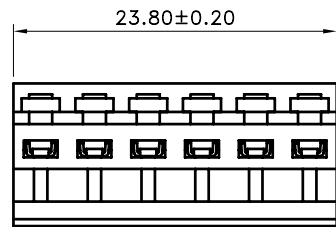
3.96mm Crimp Style Connectors Wafer(With Peg)



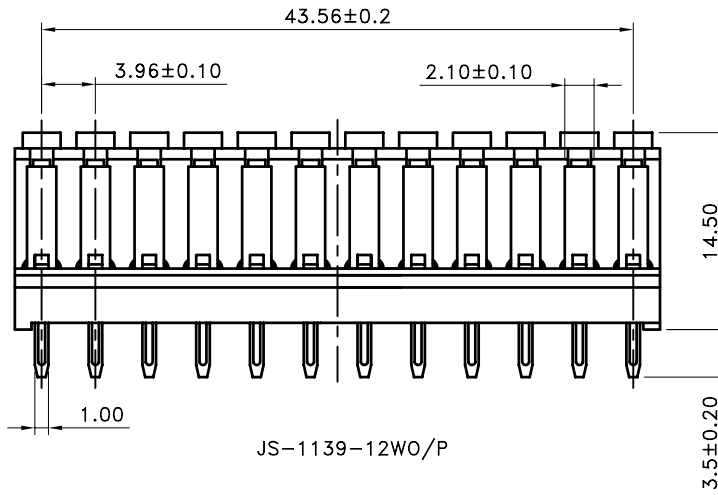
JS-1139-06WO/P
Recommended PCB Layout



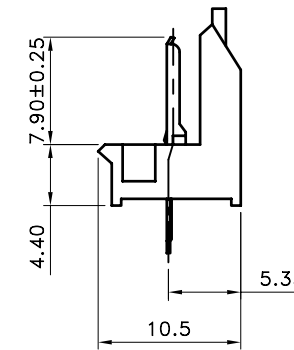
JS-1139-12WO/P
Recommended PCB Layout



JS-1139-06WO/P



JS-1139-12WO/P



■ SPECIFICATIONS

- Voltage Rating : 250 V AC/DC
- Current Rating : 4A AC/DC
- Withstanding Voltage : 1,500V AC/minute
- Insulation Resistance : 500MΩ min
- Temperature Range : - 40°C to + 85°C
- Contact Resistance : 10mΩ max

■ WAFER

- Part No. : JS-1139-XXWO-P
- Poles : 6, 12(Without Peg)
- Material : Contact : Brass, Tin Plated
Base : Nylon 66 UL94V-2
- Q' ty : 1,000 pcs./Bag



喬訊電子工業股份有限公司
CHYAO SHIUNN
ELECTRONIC INDUSTRIAL LTD.

PART NO JS-1139-XXWO-P

3.96mm Crimp Style Connectors Wafer(Without Peg)

APPROVED BY	SCALE	UNIT	TOLERANCE	LTR	REVISION RECORD	DATE	LTR	REVISION RECORD	DATE
林宗		mm	.0 ±0.3	ECR	RoHS Compliant	07/01/04			
CHECKED BY	PROJ	VER NO.	.00 ±0.2	ECR	200901-011	09/01/15			
		a2	.000 ±0.1						
		SIZE	ALL ±						
DRAWN BY	DATE		ANGLE						
黃科源	2009/01/15	A4	0° ±						
			.0° ±						
							CUSTOMER		
							Conforms to The RoHS Instruction		