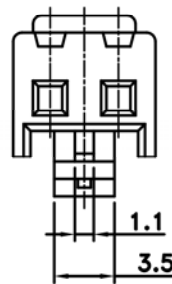
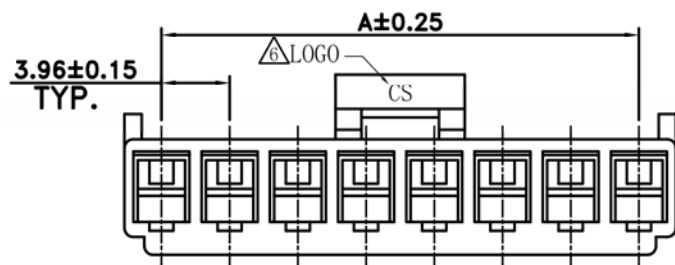
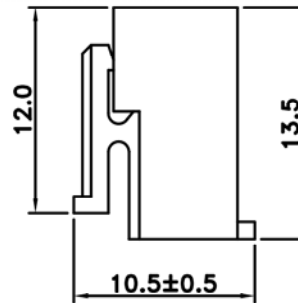
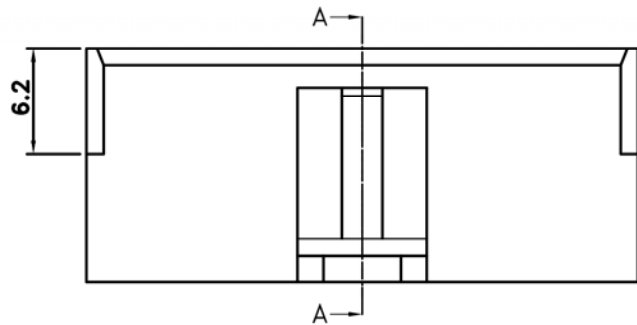
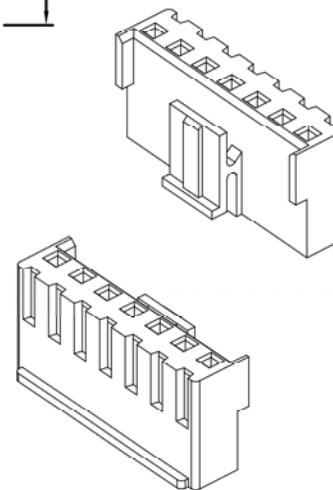


SECTION:A-A



2Pin VIEW



3D VIEW

SPECIFICATIONS

- Voltage Rating : 250V AC/DC
- Current Rating : 7A AC/DC
- Withstanding Voltage : 1500V AC/minute
- Insulation Resistance : 1000MΩ min
- Temperature Range : - 25°C to + 85°C
- Contact Resistance : 10mΩ max

HOUSING

- Part No. : JS-1121-XX (XX) XX
- Ordering Code ① ② ③

① Poles : 2-15

② Material:

- Blank : Nylon 66 UL94-V0 (Non-Halogen)
- GW : Nylon66 UL94V-0(Glow Wire)

③ Color: Blank: Nature

- R : Red(199C)
- BU: Blue(660C)
- Y : Yellow(122C)
- BK: Black

• Applicable Terminal : JS-1121-TXX

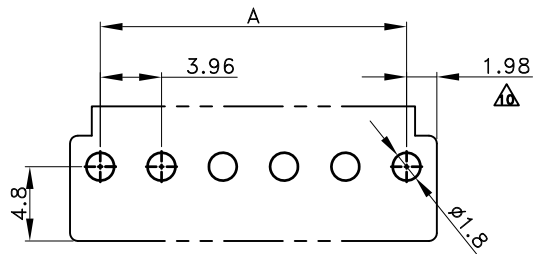
• Mates With : JS-1120R-XX;JS-1120

Poles	Dimensions (mm)	
	A	B
2	3.96	8.25
3	7.92	12.21
4	11.88	16.17
5	15.84	20.13
6	19.80	24.09
7	23.76	28.05
8	27.72	32.01
9	31.68	35.97
10	35.64	39.93
11	39.60	43.89
12	43.56	47.85
13	47.52	51.81
14	51.48	55.77
15	55.44	59.73

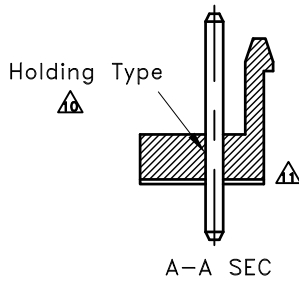
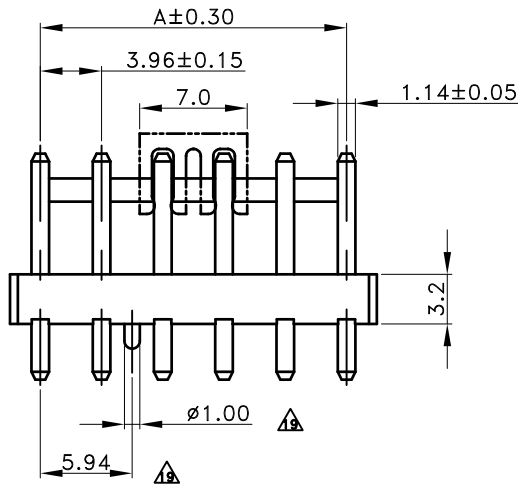
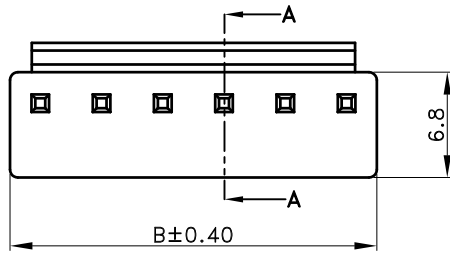
 喬訊電子工業股份有限公司
CHYAO SHIUNN
ELECTRONIC INDUSTRIAL LTD.

PART NO JS-1121-XX(XX)XX
3.96mm Crimp Style Connectors Housing

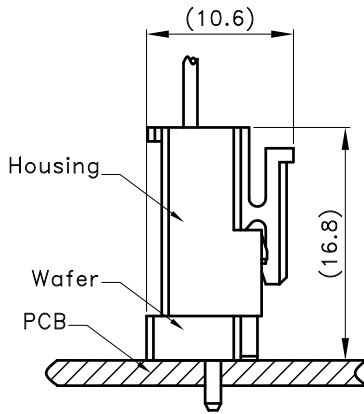
APPROVED BY	SCALE	UNIT	TOLERANCE	LTR	REVISION RECORD	NAME	DATE	LTR	REVISION RECORD	NAME	DATE
施咸光		mm	.0 ±0.30	△	200711-004	XXX	2007/11/15	△	料號GW1改為GW	曾慶根	2017/03/08
CHECKED BY	PROJ	VER NO.	.00 ±0.20	△	201006-008	XXX	2010/06/28	△	增加尺寸標注	曾慶根	2018/01/08
張育瑞		a12	.000 ±0.10	△	2010116-001	XXX	2010/10/27	△	增加無齒標示	謝君	2020/12/11
DRAWN BY	DATE	SIZE	ANGLE		CUSTOMER						
謝君	2020/12/11	A4	0° ±1°	△	Chang the LOGO position	JACK	2012/07/10				
			0° ±	△	Add New Type product	JACK	2012/07/17				
			SHEET	1/1	△	取消SM材質·增加GW1材質	周家慶	2016/12/2	Conforms to The RoHS Instruction		



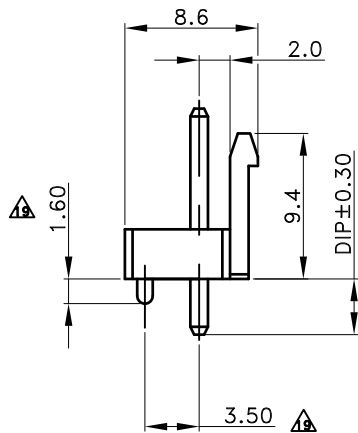
Recommend PCB Layout
General tolerance±0.05



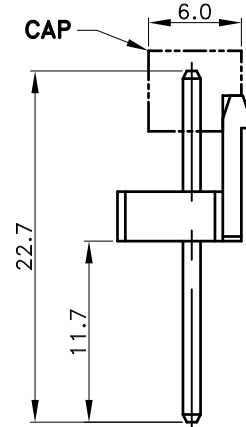
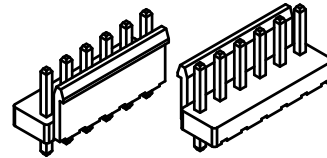
A-A SEC



Recommend Assembly Dim



Poles	Dimension(mm)	
	A	B
2	3.96	7.86
3	7.92	11.82
4	11.88	15.78
5	15.84	19.74
6	19.80	23.70
7	23.76	27.66
8	27.72	31.62
9	31.68	35.58
10	35.64	39.54
11	39.60	43.50
12	43.56	47.46
13	47.52	51.42
14	51.48	55.38
15	55.44	59.34



DIP Length: D2: 11.7mm

■ SPECIFICATIONS

- Voltage Rating : 250V AC/DC
- Current Rating : 7A AC/DC
- Withstanding Voltage : 1500V AC/minute
- Insulation Resistance : 1000MΩ min
- Temperature Range : - 40°C to + 105°C ▲▲▲
- Contact Resistance : 10mΩ max

■ WAFER

- Part No. : JS-1120-XX X (XX X XX) XX XX
- ① Poles No.:2~15 ① ② ③ ④ ⑤ ⑥ ⑦
- ② TYPE: Blank: Normal Type
S; Holding Type(For Nylon66) ▲
- ③ Structure1 : Blank : Normal Type(Standard)
P : Polarizing boss ▲
- ④ Base Material: Blank: Nylon 66 UL94V-0
GF: Nylon 66+G.F
PA: Nylon 46 UL94V-0(2~6 poles)▲
6T: Nylon 6T UL94V-0 Non-halogen
(2~6 poles;BLACK) ▲
- ⑤ Plated: Blank: Tin Plated ▲
G: Gold Flash
G5: 30u"min,Au over 50u" min. NICKEL ▲
NM: 120u' min. Matte TIN over 30u' min. NICKEL ▲
- ⑥ DIP Length: Blank: 3.6mm ▲
D: 3.2mm
D1: 2.7mm
D2: 11.7mm
D3: 5.0mm ▲
- ⑦ Color: Blank: Natural ▲▲
BK: Black
BU: Blue(660C)
BU1: Blue(285C)
R: Red(199C)
R1: Red(1777C)
Package: Blank : Bag (Without CAP) ▲
/R : Tape&Reel (With CAP)
/R1 : Tape&Reel (Without CAP)
- Material : Contact : Brass
Base : Refer of the above options
CAP : Nylon 46 UL94V-0 Non-Halogen Natural color:Beige
- Mating Housing : JS-1121-XX
- Mating Terminal : JS-1121-T

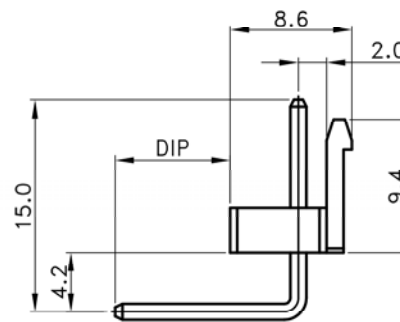
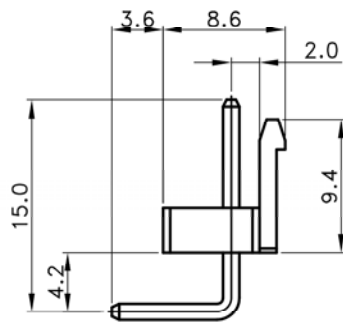
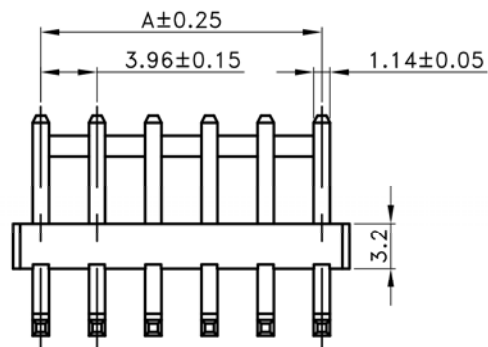
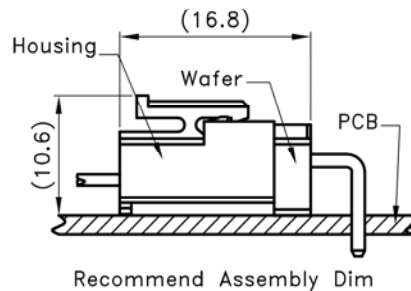
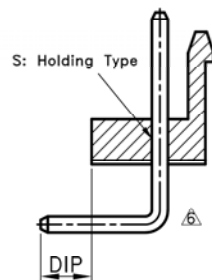
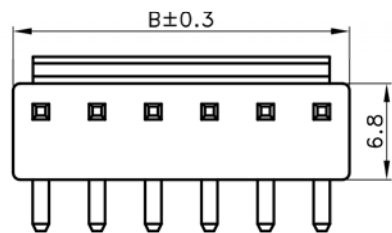
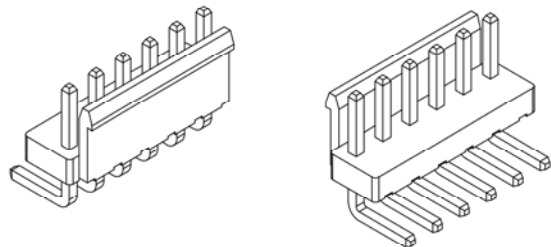
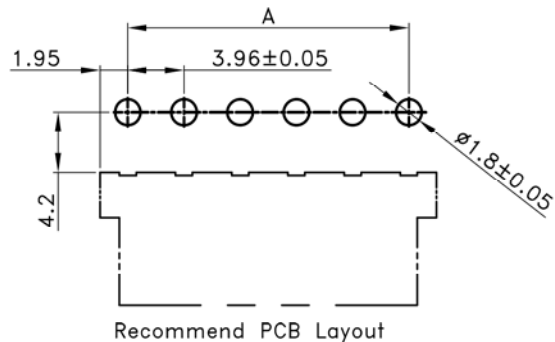


喬訊電子工業股份有限公司
CHYAO SHIUNN
ELECTRONIC INDUSTRIAL LTD.

PART NO JS-1120-XXXX

3.96mm Wire to Board Connector

APPROVED BY	SCALE	UNIT	TOLERANCE	LTR	REVISION RECORD	NAME	DATE	LTR	REVISION RECORD	NAME	DATE
Tom Shih		mm	.0 ±0.30	▲	修改尺寸, 及內K方向與實物相符	黃廣珍	2014/02/26	▲	新增電鍍規格選項	劉娜	2019/06/10
CHECKED BY	PROJ	VER NO.	.00 ±0.20	▲	增加鍍金規格及修改剖視圖	林宛盈	2014/04/08	▲	修改操作溫度-40°C~105°C	Eddie	2020/06/01
劉娜	☉	a19	.000 ±0.10	▲	add base material : pa46	Erin	2016/12/21	▲	增加定位柱選項	謝君	2023/07/10
DRAWN BY	DATE	SIZE	ANGLE		0° ±1°	▲	Holding Type only for Nylon66				
謝君	2023/07/10	A4	0° ±	▲	新增6T材質選項及增加REEL包裝選項		植濟余	2017/04/14	CUSTOMER		
			.0° ±	▲	修改注解欄溫度範圍標準		曾慶根	2017/07/11	Conforms to The RoHS Instruction		
			SHEET	1/1	▲	新增DIP D3: 5.0mm 規格		劉娜			
				▲			周家慶	2018/04/19			



JS-1120R-XX

■ SPECIFICATIONS

- Current Rating : 7A AC/DC
- Withstanding Voltage : 1500V AC/minute
- Insulation Resistance : 1000MΩ min
- Temperature Range : - 25°C to + 85°C ▲
- Contact Resistance : 10mΩ max ▲

■ WAFER

- Part No. : JS-1120R-XX X(XX X XX) XX ▲ ▲
① ② ③ ④ ⑤ ⑥
- ① Poles : 2~15 (Straight)
- ② Blank : Normal Type(Standard) ▲ ▲
S : Holding Type(For Nylon 66)
- ③ Base Material: Blank: Nylon 66 UL94V-0
GF: Nylon 66+G.F ▲
PA: Nylon 46 UL94V-0(2~6 poles) ▲
- ④ Plated: Blank: Tin Plated
G: Gold Flash ▲
G5: 30u"min.Au over 50u" min. NICKEL ▲
- ⑤ DIP Length :
Blank : 3.6 mm(standard)
D: 3.0 mm
D1: 8.1mm
D3: 4.5mm ▲
D4: 2.7mm ▲
- ⑥ Color: Blank: Natural ▲
BK: Black
BU: Blue(660C)
BU1: Blue(285C)
R: Red(199C)
R1: Red(1777C)

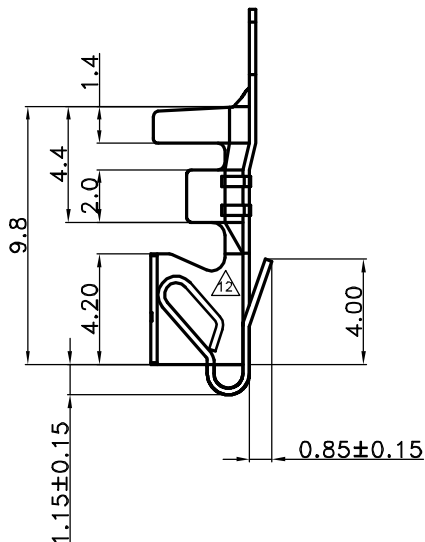
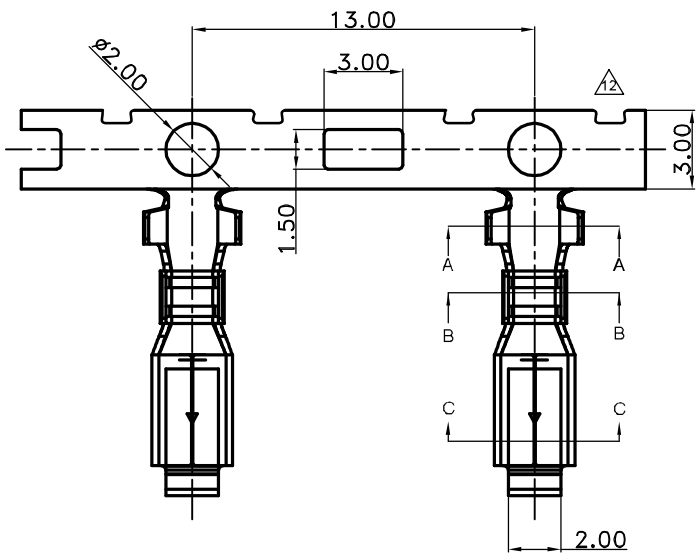
- RoHS Compliant
- Material : Contact : Brass,
Base : Refer of the above options
- Mating Housing : JS-1121-XX
- Mating Terminal : JS-1121-T
- Q' ty: 1000 pcs./Bag

Poles	Dimension(mm)	
	A	B
2	3.96	7.86
3	7.92	11.82
4	11.88	15.78
5	15.84	19.74
6	19.80	23.70
7	23.76	27.66
8	27.72	31.62
9	31.68	35.58
10	35.64	39.54
11	39.60	43.50
12	43.56	47.46
13	47.52	51.42
14	51.48	55.38
15	55.44	59.34

 喬訊電子工業股份有限公司
CHYAO SHIUNN
ELECTRONIC INDUSTRIAL LTD.

PART NO JS-1120R-XXXX
3.96mm Wire to Board Connector

APPROVED BY	SCALE	UNIT	TOLERANCE	LTR	REVISION RECORD	NAME	DATE	LTR	REVISION RECORD	NAME	DATE
Tom. Shih		mm	.0 ±0.30	▲	新增3D視圖及互配圖	吳沛倫	2010/06/11	▲	增加DIP腳4.5mm規格	劉娜	2017/10/18
CHECKED BY	PROJ	VER NO.	.00 ±0.20	▲	變更最高工作溫度	吳沛倫	2010/10/27	▲	增加DIP腳2.7mm規格	劉娜	2019/03/08
周家慶		a9	.000 ±0.10	▲	增加電鍍膜厚	黃廣珍	2013/07/24	▲			
DRAWN BY	DATE	SIZE	ANGLE		▲	規格修定,接觸阻抗,工作溫度	吳弘文	2013/10/18	CUSTOMER		
劉娜	2019/03/08	A4	0° ±1°	▲	新增D, D1規格	林宛盈	2013/12/19				
			0° ±	▲	新增打內K料號及圖示	鄭小嬌	2014/12/02	Conforms to The RoHS Instruction			
			SHEET 1/1	▲	增加材料規格: PA46	植濟余	2017/04/14				



■ SPECIFICATIONS

- Current Rating: 7A AC/DC
- Withstanding Voltage : 1500V AC/minute
- Insulation Resistance : 1,000M Ω min
- Temperature Range : - 25 °C to + 85 °C
- Contact Resistance : 10mΩ max

■ TERMINAL

- Part No. :

JS-1121-XXXX \triangle \triangle \triangle

①

- ① T : Standard Process, Brass

PBT: Standard Process, Phos. Bronze

TH : High Crimp, Brass

PBTH : High Crimp, Phos. Bronze \triangle

THP : Stamping befor Plated, High Crimp, Brass

PBTHP : Stamping befor Plated, High Crimp, Phos. Bronze \triangle

TP : Stamping befor Plated, Brass \triangle

PBTP : Stamping befor Plated, Phos. Bronze \triangle \triangle

- Applicable Wires: \triangle

1. Standard : AWG# 18 ~ 22

2. High Crimp : AWG# 16 ~ 20

- Material :Refer the above narrative

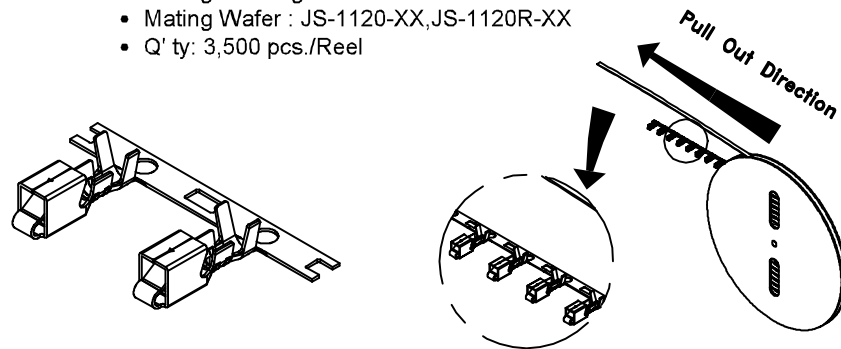
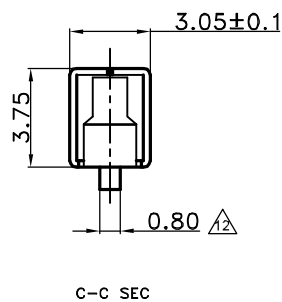
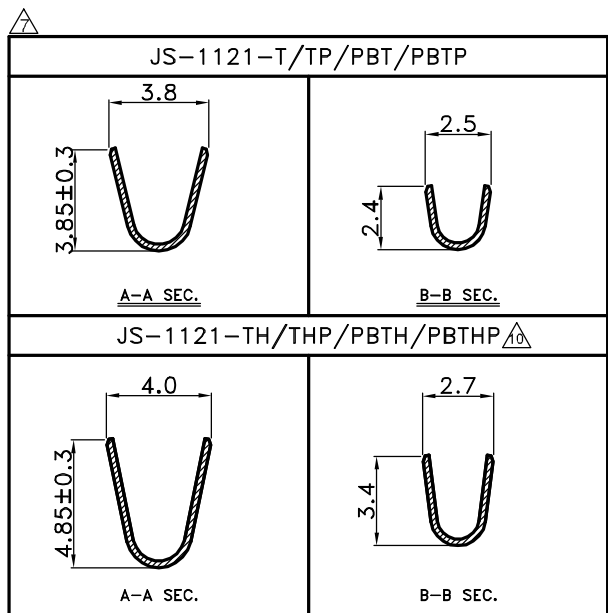
- Plated : Tin Plated

- Thickness : 0.25mm

- Mating Housing : JS-1121-XX

- Mating Wafer : JS-1120-XX,JS-1120R-XX

- Q' ty: 3,500 pcs./Reel



喬訊電子工業股份有限公司
CHYAO SHIUNN
ELECTRONIC INDUSTRIAL LTD.

PART NO JS-1121-TXXXX \triangle

3.96mm Crimp Style Connectors Terminal

APPROVED BY	SCALE	UNIT	TOLERANCE	LTR	REVISION RECORD	NAME	DATE	LTR	REVISION RECORD	NAME	DATE
Tom Shih		mm	.0 ±0.30	\triangle	A、B剖面重新調整及修正包裝數量	王誠賢	2010/09/28				
CHECKED BY	PROJ	VER NO.	.00 ±0.20	\triangle	修改最高工作溫度	吳沛倫	2010/10/27				
Erin Chou	\oplus \square	a13	.000 ±0.10	\triangle	規格修定	吳弘文	2013/10/18				
DRAWN BY	DATE	SIZE	ANGLE		新增磷銅高腳規格	周家慶	2013/11/05	CUSTOMER			
Eddie	2021/07/09	A4	0° ±1°	\triangle	修正料號與編碼對應	周家慶	2018/01/16				
			0° ±	\triangle	新模取代舊模, 產品結構優化	劉 娜	2019/07/26	Conforms to The RoHS Instruction			
			SHEET 1/1	\triangle	修正產品規格敘述	Eddie	2021/07/09				