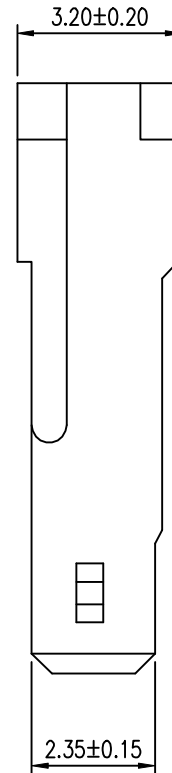
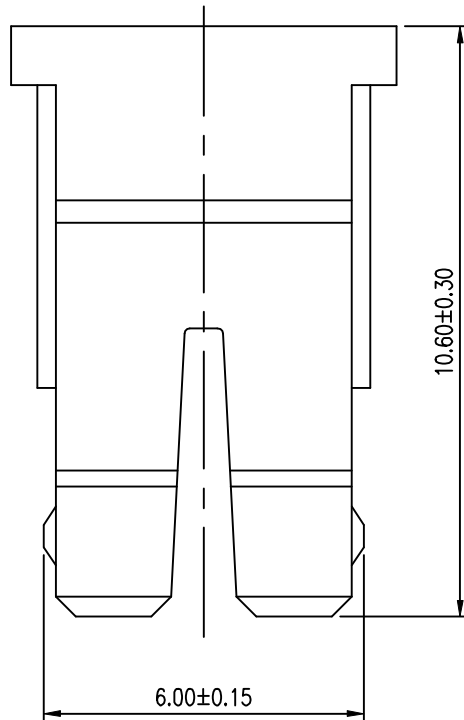
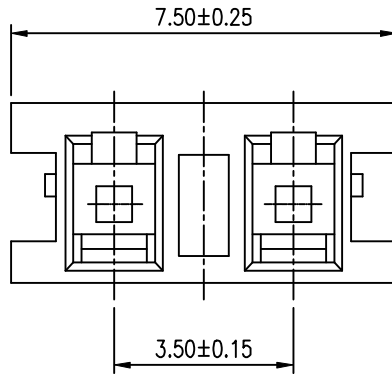


REV	ECN.NO.	REVISIONS	REV.DRAWN	DATE
A		整理发行	MARK.MAO	2003/09/15
B		增加无卤料号说明	Yuqilong	2008/11/17
C		修正料号	sunquan	2012/12/19



### SPECIFICATIONS

- . Rated Voltage : 1,400V AC/DC
- . Rated Current : 1A AC/DC
- . Withstanding Voltage : 3,800V AC/minute
- . Insulation Resistance : 1000MΩ min
- . Temperature Range : -25°C to +85°C
- . Contact Resistance : 20mΩ max

### HOUSING

- . Part No. : JS-2011-02-NH
  - Poles: 02
  - Blank: Normal
  - NH: Halogen Free
- . Material : PA66 UL 94V-0(FR370)
- . Q'ty : 1000 pcs/Bag



符合环境管理物质

X.± 0.40	X'.± 5.00'	UNITS mm	NAME(INTENDED USE)		
.X± 0.30	.X'± 2.00'	MAT'L	CUSTOMER		
.XX± 0.20	.XX'± 1.00'	FINISH	PART NO.(INTENDED USE)	TITLE:	
.XXX± 0.10	.XXX'± ---		JS-2011-02-NH	APPD:	HOUSING
THESE DRAWINGS AND SPECIFICATIONS ARE THE PROPERTY OF CHYAO SHIUNN ELECTRONIC CO., LTD. AND SHALL NOT BE REPRODUCED, COPIED OR USED IN ANY MANNER WITHOUT THE PRIOR WRITTEN CONSENT OF CHYAO SHIUNN ELECTRONIC CO., LTD.			Q'TY	CHKD:	DWG NO.:
				DR: Yuqilong	2008/11/17
			SCALE	SHEET	REV.
			1:1	1/1	/

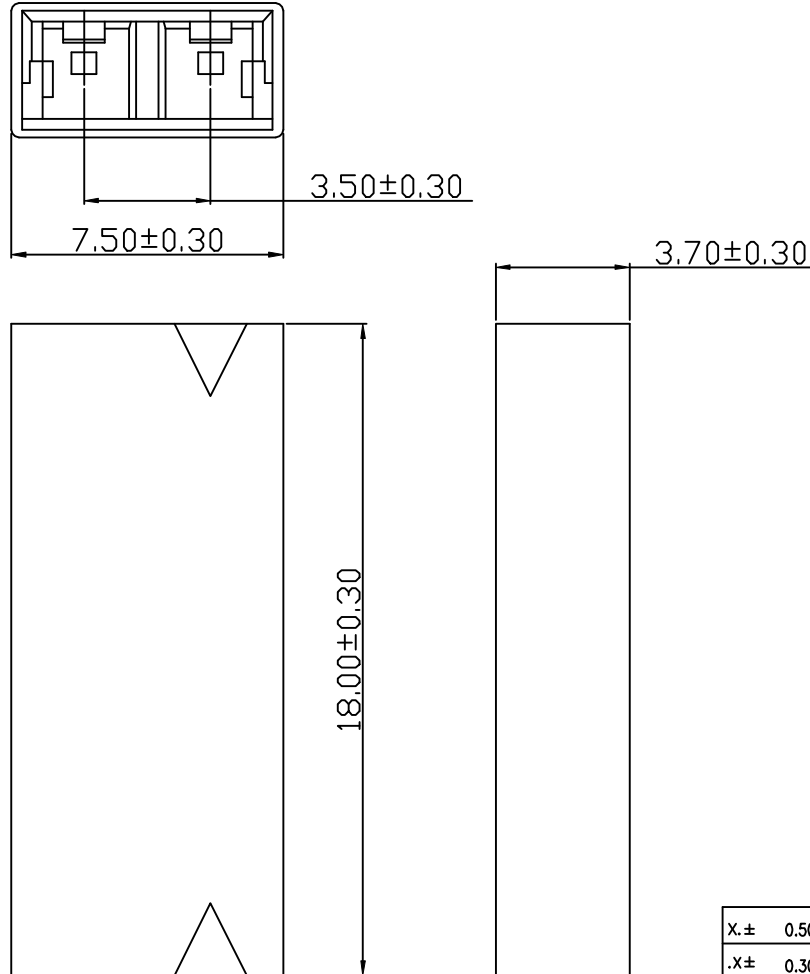
REV	ECN.NO.	REVISIONS	REV.DRAWN	DATE
A		初版发行	SUN	04-12/28
B		增加无卤料号说明	Yuqilong	2008/11/06

### SPECIFICATIONS

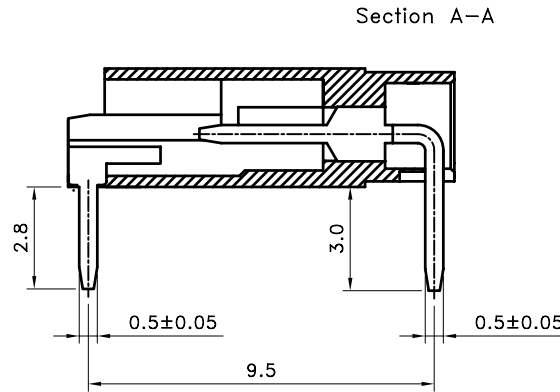
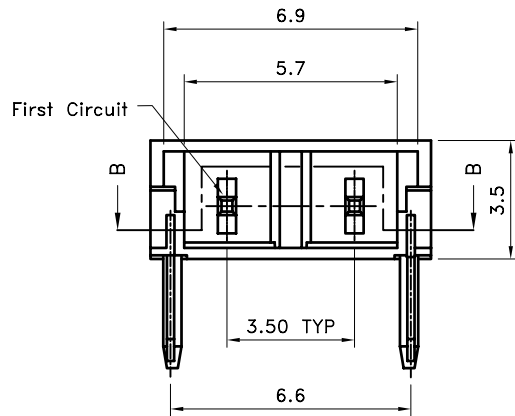
- . Rated Voltage : 1,400V AC/DC
- . Rated Current : 1A AC/DC
- . Withstanding Voltage : 3,800V AC/minute
- . Insulation Resistance ; 1,000M  $\Omega$ min
- . Temperature Range : -25°C to +85°C
- . Contact Resistance : 20m  $\Omega$  max

### HEADER

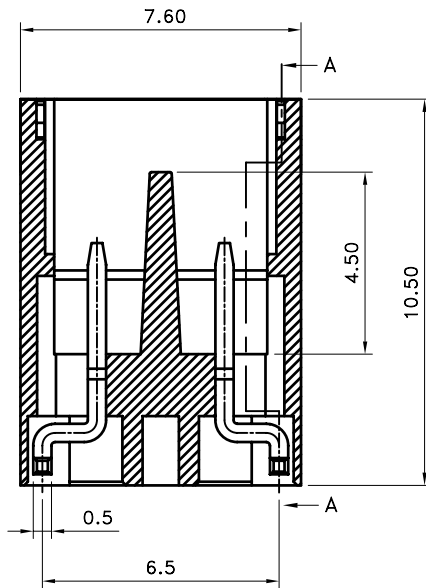
- . Part No. : JS-2021-02-NH
- . Poles: 02
- NH:Non-halogen
- △. Material : Nylon 66 UL94V-0
- . Q'ty : 1,000 pcs/Bag



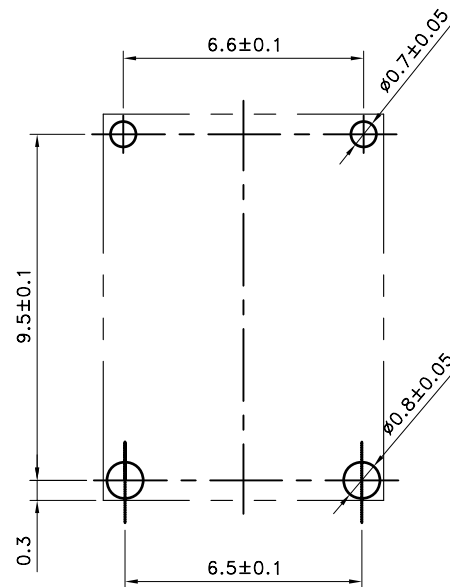
X.± 0.50	X'.± 5.00'	UNITS	MM	NAME(INTENDED USE)					
.X± 0.30	.X'± 3.00'	MAT'L		CUSTOMER					
.XX± 0.20	.XX'± 2.00'	-		PART NO.(INTENDED USE)	TITLE:				
.XXX± 0.10	.XXX'± 1.00'	FINISH		JS-2021-02	WIRE TO WIRE CONNECTORS				
<small>THESE DRAWINGS AND SPECIFICATIONS ARE THE PROPERTY OF CHYAO SHIUNN ELECTRONIC CO., LTD. AND SHALL NOT BE REPRODUCED, COPIED OR USED IN ANY MANNER WITHOUT THE PRIOR WRITTEN CONSENT OF CHYAO SHIUNN ELECTRONIC CO., LTD.</small>				APPD:	DWG NO.:				
				Q'TY	CHKD: XUWEI	2008/11/06	020-0053-2021-02		
				DR: Yuqilong	2008/11/06		SCALE	SHEET	REV.
						3/1	1/1	B	



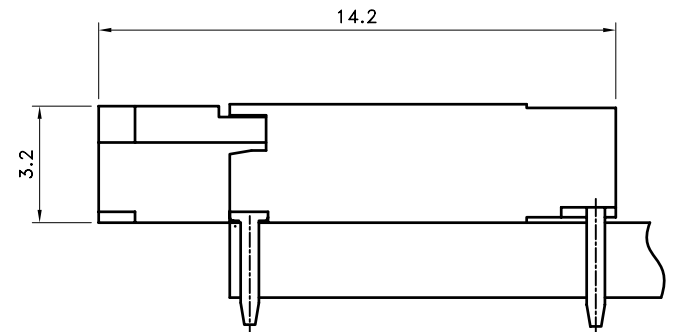
Section : A-A



Section : B-B



Recommended PCB Layout



Assembly Layout (REF.)

■ SPECIFICATIONS

- Voltage Rating : 1,400V AC/DC
- Current Rating : 1A AC/DC.
- Withstanding Voltage : 3,800V AC/minute
- Insulation Resistance : 1,000M $\Omega$  min.
- Temperature Range : - 25 $^{\circ}$ C to + 85 $^{\circ}$ C
- Contact Resistance : 20m $\Omega$  max.

■ WAFER

- Part No. : JS-20121-02 , JS-20121-02(NM)
- Poles : 2 (DIP Type)
- Material : Finish : JS-20121-02 -Tin Plated , JS-20121-02(NM)-Mat-Tin Plated  
Contact : Phos. Bronze,  
Base : Nylon 9T UL94V-0
- Q' ty : 1,000 pcs/ Tape & Reel

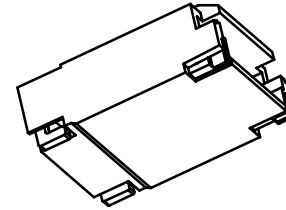
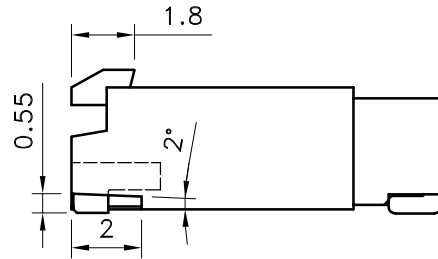
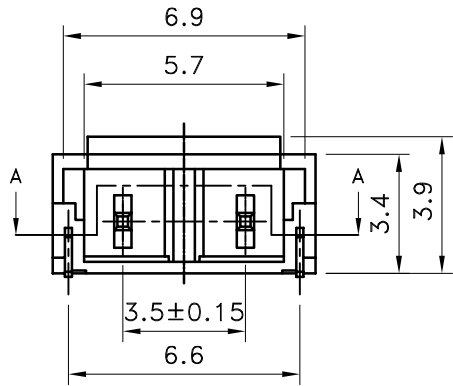


喬訊電子工業股份有限公司

CHYAO SHIUNN  
ELECTRONIC INDUSTRIAL LTD.

APPROVED BY	SCALE	UNIT	TOLERANCE	LTR	REVISION RECORD	DATE	LTR	REVISION RECORD	DATE
張育瑞		mm	.0 ±0.3	ECR	RoHs Compliant	06/04/01	ECR	200912-002	09/12/08
CHECKED BY	PROJ	VER NO.	.00 ±0.2	ECR	DG 200608-002	06/08/04			
		α9	.000 ±0.1	ECR	DG 200702-001	07/02/01			
DRAWN BY	DATE	SIZE	ALL ±	ECR	DG 200809-004	08/08/05	CUSTOMER		
林文泰	2009/12/08	A4	ANGLE	ECR	DG 200704-006	07/04/24			
			0° ±	ECR	200811-015	08/11/17	Conforms to The RoHS Instruction		
			.0° ±	ECR	200910-004	09/10/21			

PART NO JS-20121-02 , JS-20121-02(NM)  
3.50mm Crimp Style Connectors Wafer(DIP Type)

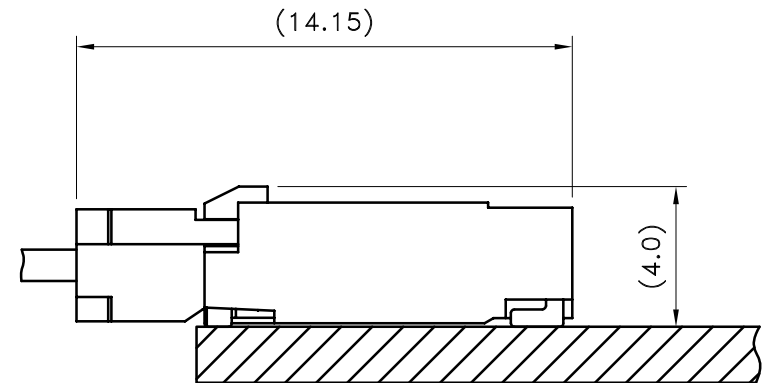
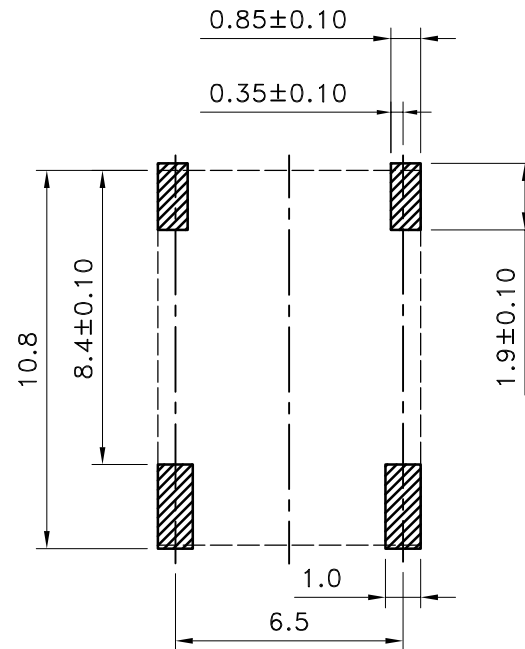
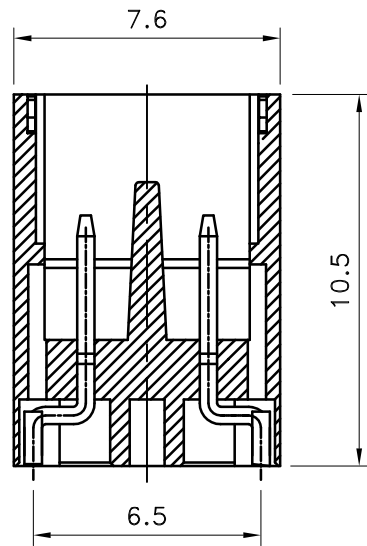
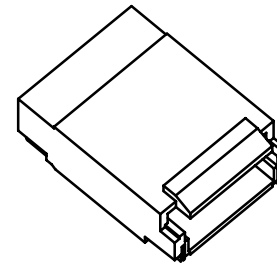


■ SPECIFICATIONS

- Current Rating : 1A AC/DC.
- Withstanding Voltage : 3,800V AC/minute
- Insulation Resistance : 1,000MΩ min.
- Temperature Range : - 25°C to + 85°C
- Contact Resistance : 20mΩ max.

■ WAFER

- Part No. : JS-2013-02 , JS-2013-02(NM)
- Poles : 2 (SMT Type ; With Lock)
- Material : Finish : JS-2013-02 ,Tin Plated , JS-2013-02(NM) ,Mat-Tin Plated  
Contact : Phos. Bronze,  
Base : Nylon 9T UL94V-0
- Q' ty : 1,000 pcs/ Tape & Reel



Section : A-A

Recommended PCB Layout

Assembly(Recommended)



喬訊電子工業股份有限公司

CHYAO SHIUNN  
ELECTRONIC INDUSTRIAL LTD.

PART NO JS-2013-02 , JS-2013-02(NM)

3.50mm Crimp Style Connectors Wafer(SMT Type ; With Lock)

APPROVED BY	SCALE	UNIT	TOLERANCE	LTR	REVISION RECORD	DATE	LTR	REVISION RECORD	DATE
張育瑞		mm	.0 ±0.3	ECR	RoHs Compliant	06/04/01			
CHECKED BY	PROJ	VER NO.	.00 ±0.2	ECR	DG 200808-002	08/08/05			
黃科源	⊕ □	a5	.000 ±0.1	ECR	200809-004	08/09/04			
DRAWN BY	DATE	SIZE	ALL ±	ECR	200811-015	08/11/17	CUSTOMER		
王誠賢	2010/02/05	A4	ANGLE	ECR	200910-004	09/10/21			
			0° ±	ECR	201002-008	10/02/05			
			.0° ±				Conforms to The RoHS Instruction		