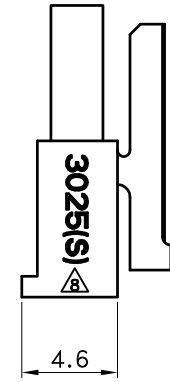
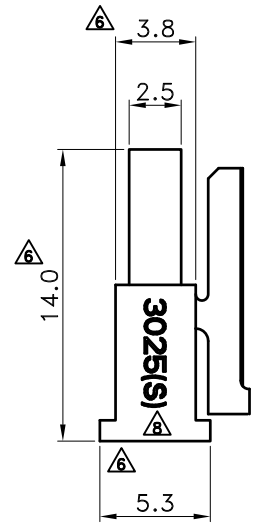
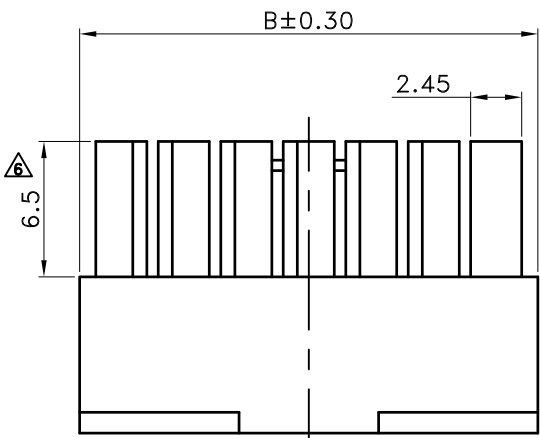


Poles	Dimensions	
	A	B
2	3.00	7.00
3	6.00	10.00
4	9.00	13.00
5	12.00	16.00
6	15.00	19.00
7	18.00	22.00
8	21.00	25.00
9	24.00	28.00
10	27.00	31.00
11	30.00	34.00
12	33.00	37.00

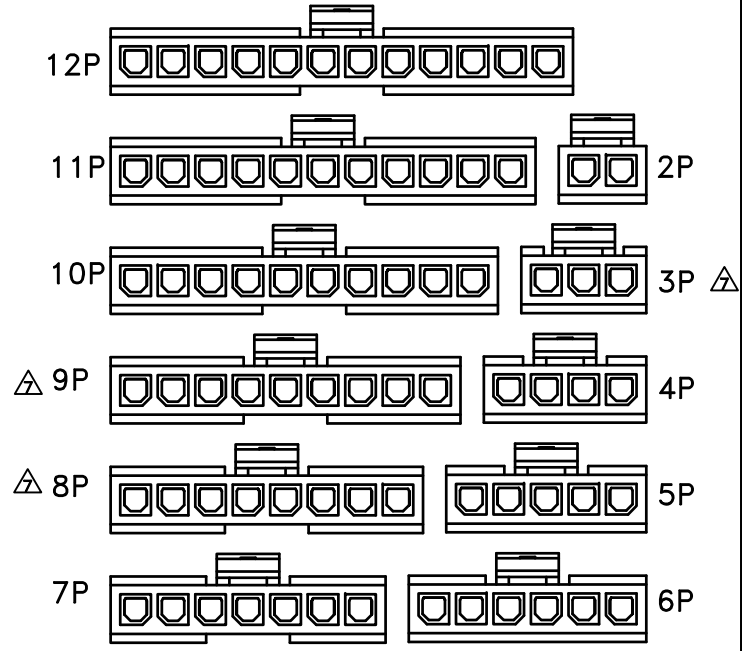
- SPECIFICATIONS**
- Current rating : 5A AC/DC
 - Withstanding voltage : 1,500V AC/minute
 - Insulation resistance : 1,000MΩ min.
 - △• Temperature range : -40°C~105°C max.
 - Contact resistance : 10mΩ max.

- HOUSING**
- Part No. : JS-3025S-XX
 - Poles : 2-12(Single Row)
 - Material : Nylon 66 UL 94V-0 Black (Non-Halogen) △
 - Q' ty : 1,000 pcs./Bag



3~12 Circuit

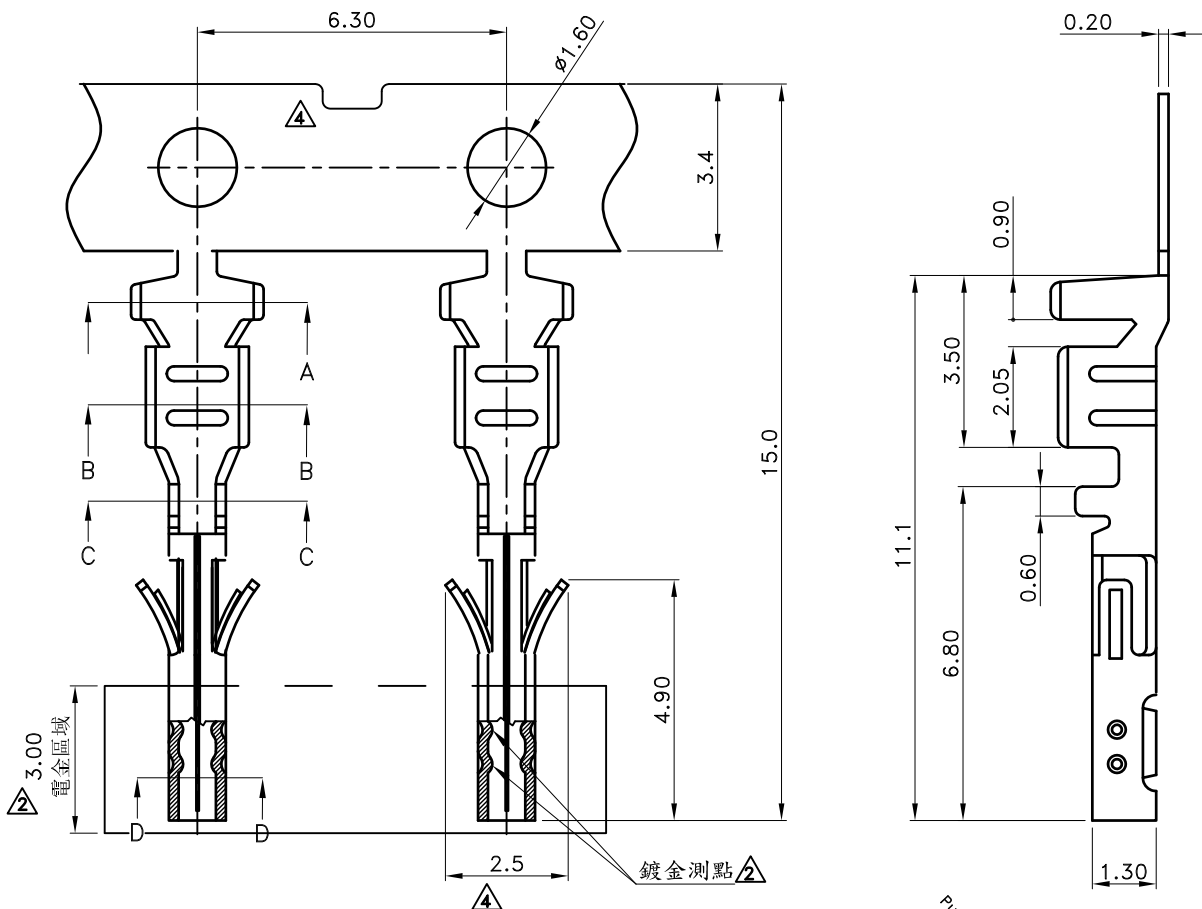
△ 2 Circuit



CS 喬訊電子工業股份有限公司
CHYAO SHIUNN ELECTRONIC INDUSTRIAL LTD.

PART NO JS-3025S-XX
3.00mm Single-Row Wire to Wire Power Connector Series.

APPROVED BY	SCALE	UNIT	TOLERANCE	LTR	REVISION RECORD	NAME	DATE	LTR	REVISION RECORD	NAME	DATE
Tom Shih		mm	.0 ±0.30	△	RoHS compliant	黃科源	06/06/22	△	依ECR-00000160修改產品敘述	李柏昇	2016/08/02
CHECKED BY	PROJ	VER NO.	.00 ±0.20	△	200804-020	黃科源	08/04/22	△	取消2P正視圖,與其他P數相同	Erin	2018/12/25
張育瑞	⊕	a11	.000 ±0.10	△	200804-020	黃科源	08/10/22	△	增加無齒標示	謝君	2020/12/11
DRAWN BY	DATE	SIZE	ANGLE	△	DG200910-004	王磊	09/10/27	CUSTOMER			
謝君	2020/12/11	A4	0° ±1°	△	環境溫度變更-40°C to +105°C	劉怡萱	2011/02/09				
			0° ±	△	蜂槽錯誤變更	劉怡萱	2011/03/24				
SHEET	1/1			△	增加"3025(S)"印字	鄭小嬌	2015/04/20	Conforms to The RoHS Instruction			



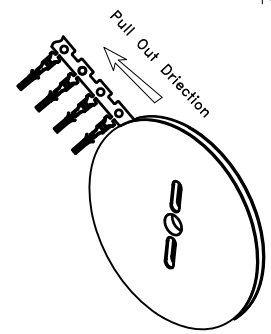
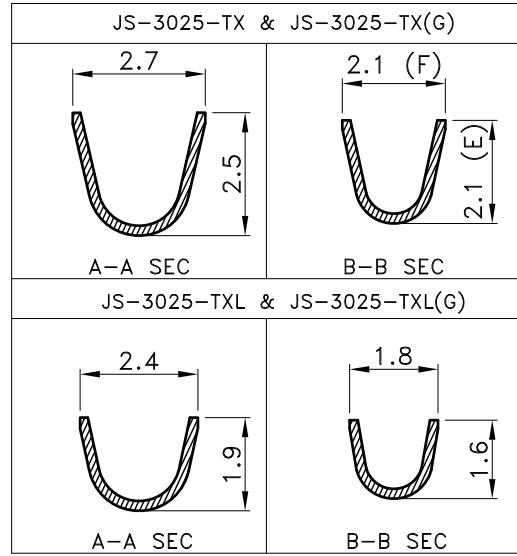
■ SPECIFICATIONS

- Current rating : 5A AC/DC
- Withstanding voltage : 1,500V AC/minute
- Insulation resistance : 1,000MΩ min. initial
- Temperature range : - 40°C to + 85°C
- Contact resistance : 20mΩ max.

■ TERMINAL

- Part No. : JS-3025-T X (X) (X)

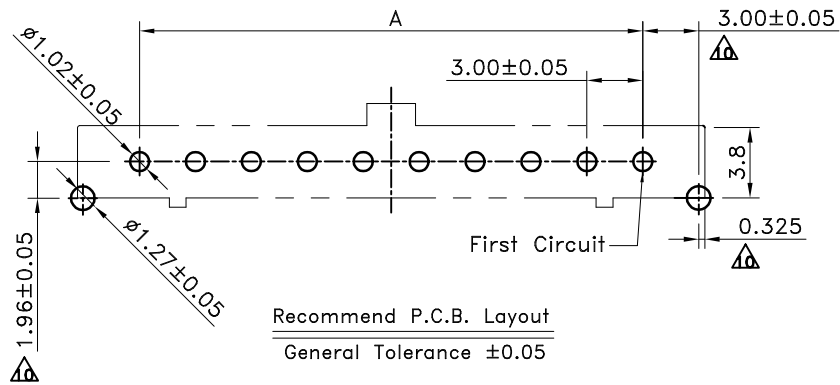
- ① Process
Blank :Plating before Stamp
P: Stamping before Plated
- ② Crimp Angle
Blank : High Crimp
L : Low Crimp
- ③ Plated
Blank :120u' min.TIN over 30u' min.NICKEL
G : 0.8u' min. AU over 30u' min. NICKEL.
- Applicable Wire :
 1. High Crimp : AWG #20~24
 2. Low Crimp : AWG #26~30
 - Material : Phos. Bronze
 - Plated : Reference to the said options
 - Q' ty : 10,000 pcs./Reel



喬訊電子工業股份有限公司
CHYAO SHIUNN
ELECTRONIC INDUSTRIAL LTD.

PART NO JS-3025-TX
3.00mm Power Connector, Crimp Terminal

APPROVED BY	SCALE	UNIT	TOLERANCE	LTR	REVISION RECORD	NAME	DATE	LTR	REVISION RECORD	NAME	DATE
張育瑞		mm	.0 ±0.30	△	ECR 201012 005 修改圖面尺寸 併圖	吳沛倫	2010/12/22				
CHECKED BY	PROJ	VER NO.	.00 ±0.20	△	增加鍍金區域, 測點及電鍍規格	黃廣珍	2013/08/20				
劉娜		a5	.000 ±0.10	△	增加端子捲繞方向圖	吳弘文	2014/10/23				
DRAWN BY	DATE	SIZE	ANGLE		按實物修改料帶形狀及變更尺寸管控	吳小平	2015/07/07	CUSTOMER		Conforms to The RoHS Instruction	
謝君	2022/08/05	A4	0° ±1°	△	增加先沖后鍍選項	謝君	2022/08/05				
			.0° ±	△							
			SHEET	1/1							



Poles	Dimensions(mm)		Poles	Dimensions(mm)	
	A	B		A	B
2	3.00	9.65	8	21.00	27.65
3	6.00	12.65	9	24.00	30.65
4	9.00	15.65	10	27.00	33.65
5	12.00	18.65	11	30.00	36.65
6	15.00	21.65	12	33.00	39.65
7	18.00	24.65			

■ SPECIFICATIONS

- Current Rating : 5A AC/DC
- Withstanding Voltage : 1,500V AC/minute
- Insulation Resistance : 1000M Ω min
- Temperature Range : -40°C ~ + 105°C
- Contact Resistance : 20m Ω max

■ WAFER

• Part No. : JS-3026S-XX (XX)

① ②

① Poles : 2 - 12(Single Row , Straight)

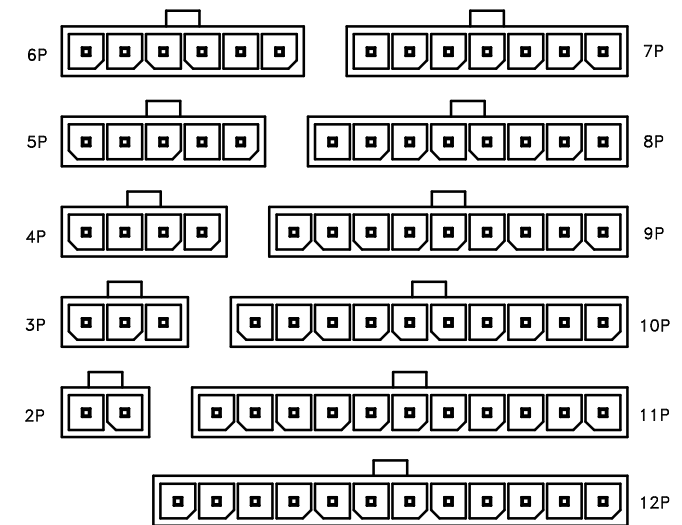
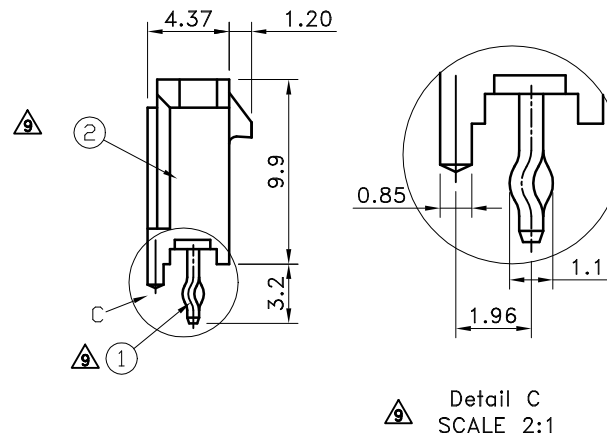
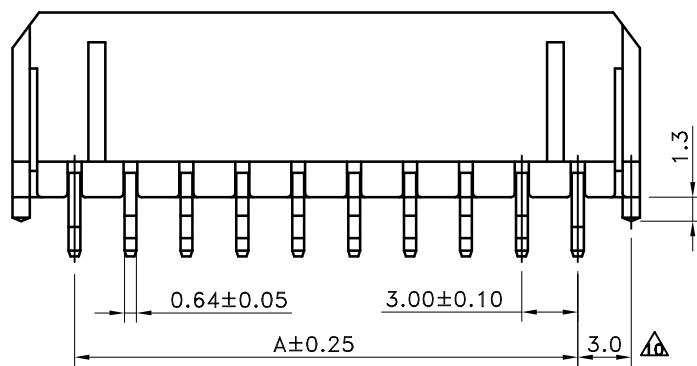
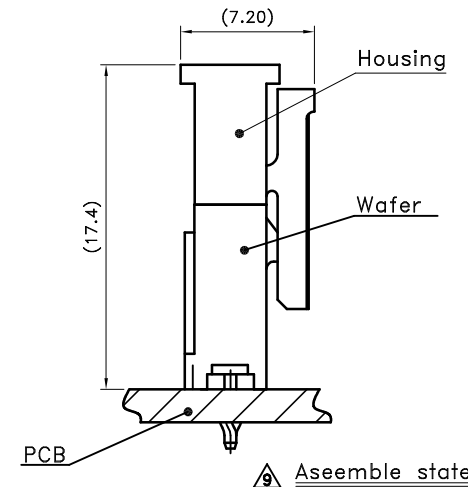
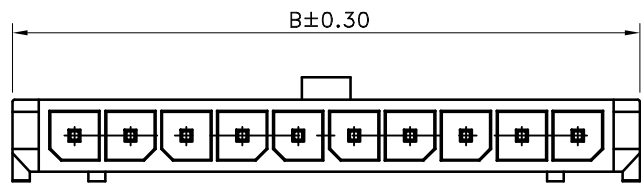
② Plated : Blank : Tin Plated

NM : Matte - Tin Plated

③ • Material : 1.Contact : Brass

2.Base : Polyamide 6T/66 ; UL94V-0

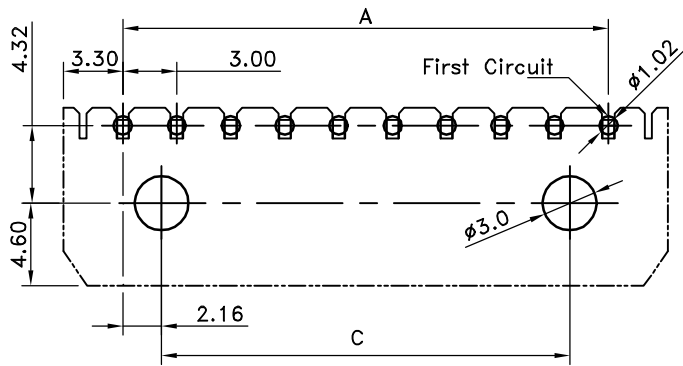
• Q' ty : 1,000 pcs./Bag



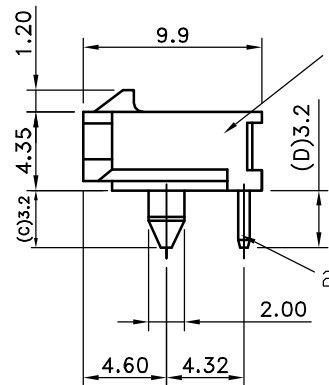
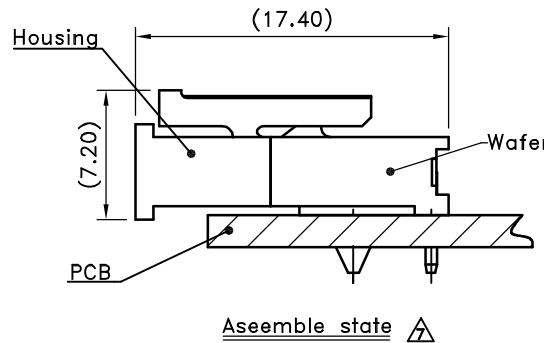
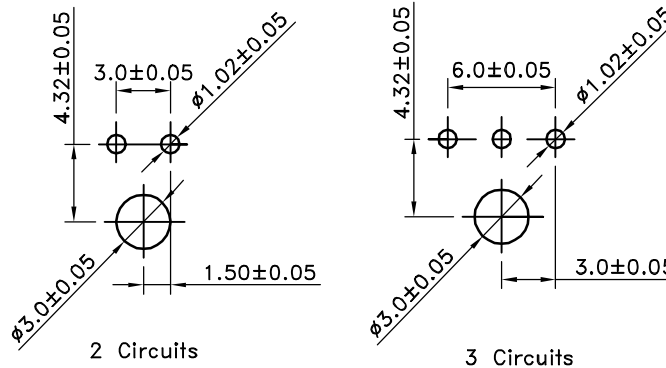
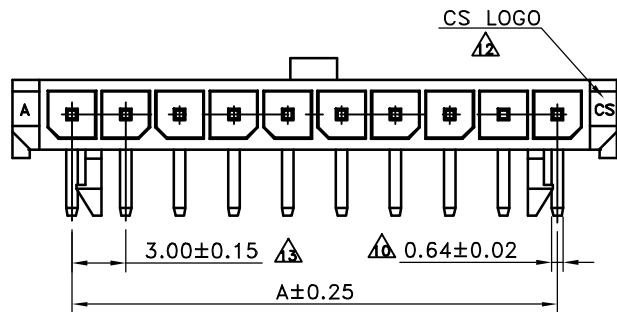
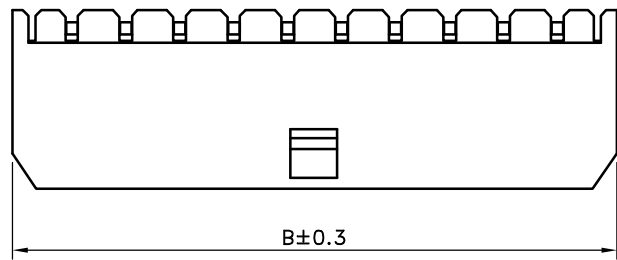
<p>喬訊電子工業股份有限公司 CHYAO SHIUNN ELECTRONIC INDUSTRIAL LTD.</p>	APPROVED BY	SCALE	UNIT	TOLERANCE	LTR	REVISION RECORD	NAME	DATE	LTR	REVISION RECORD	NAME	DATE
	Tom Shin		mm	.0 ±0.30	△	200807-029	黃科源	2008/07/31	△	修正固定孔尺寸	吳弘文	2012/01/23
	CHECKED BY	PROJ	VER NO.	.00 ±0.20	△	200810-012	黃科源	2008/10/30	△	依ECR-00000160修改產品敘述	李柏昇	2018/08/22
	Erin Chou		a12	.000 ±0.10	△	200910-002	黃科源	2009/10/08	△	新增NM電鍍選項	Eddie	2019/07/22
	DRAWN BY	DATE	SIZE	ANGLE	LTR	REVISION RECORD	NAME	DATE	LTR	REVISION RECORD	NAME	DATE
Eddie	2019/07/22	A4	0° ±1°	△	200910-002	林 暉	2009/10/30					
			0° ±	△	201008-008	林 暉	2010/08/20					
			SHEET	1/1	△	環境溫度變更-40°C to 105°C	劉怡萱	2011/02/08				

PART NO JS-3026S-XX(XX)
3.00mm Dip Single-Row Wire to Board Power Connector Series.

CUSTOMER
Conforms to The RoHS Instruction



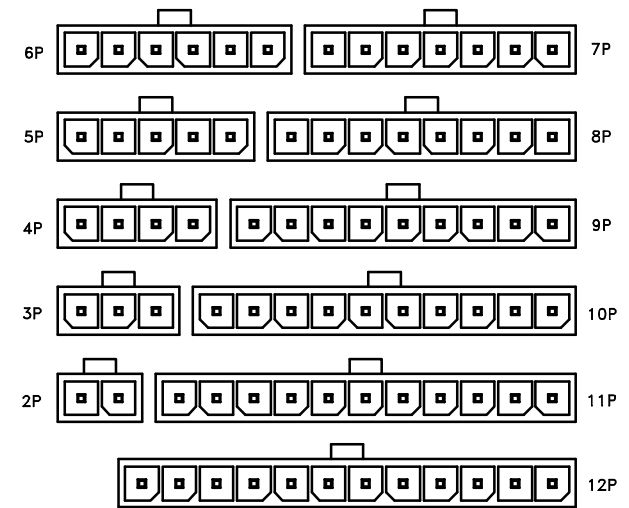
Recommend PCB Layout
General Tolerance ± 0.05



- SPECIFICATIONS
- Current rating : 5A AC/DC
 - Withstanding voltage : 1,500V AC/minute
 - Insulation resistance : 1,000M Ω min. initial
 - △ Temperature range : -40°C to +105°C
 - Contact resistance : 20m Ω max.

- WAFER
- Part No. : JS-3027S-XX (XX XX) ① ② ③
 - ① Poles : 2-12
 - ② Base : Bank : Polyamide 6T/66 ; UL 94V-0
△ LCP : LCP UL 94V-0
 - ③ Plated : Blank : Sn100u" over Plated ;
Nickel 30u" under all over
△ G4 : 15u" min. Au over 30u" min. Nickel
 - Material :
1. Base : Refer The Above Option
2. Contact : Brass
 - Q' ty : 1,000 pcs./Bag △

Poles	Dimensions(mm)			Poles	Dimensions(mm)		
	A	B	C		A	B	C
2	3.00	9.65		8	21.00	27.65	16.70
3	6.00	12.65		9	24.00	30.65	19.70
4	9.00	15.65	4.70	10	27.00	33.65	22.70
5	12.00	18.65	7.70	11	30.00	36.65	25.70
6	15.00	21.65	10.70	12	33.00	39.65	28.70
7	18.00	24.65	13.70				

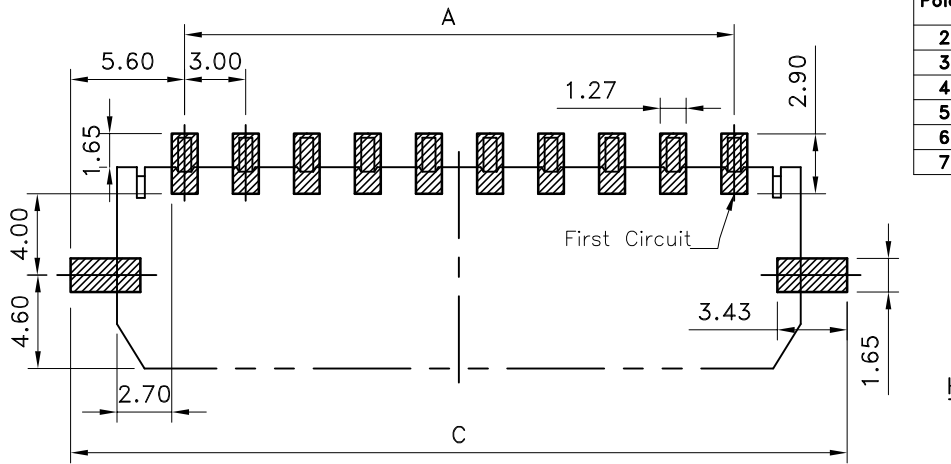


CS 喬訊電子工業股份有限公司
CHYAO SHIUNN
ELECTRONIC INDUSTRIAL LTD.

PART NO: JS-3027S-XX

3.00mm Dip Single-Row Wire to Board Power Connector Series.

APPROVED BY	SCALE	UNIT	TOLERANCE	LTR	REVISION RECORD	NAME	DATE	LTR	REVISION RECORD	NAME	DATE
Tom Shih		mm	.0 ±0.30	△	材質變更	黃科源	2009/10/09	△	修改公差	曾慶根	2019/09/04
CHECKED BY	PROJ	VER NO.	.00 ±0.20	△	環境溫度變更	劉怡萱	2011/01/31	△	添加 LCP 規格選項	謝君	2020/09/03
Erin Chou		a15	.000 ±0.10	△	修改圖面標示錯誤處	王誠賢	2011/08/11	△	新增電鍍規格選項	Eddie	2023/02/16
DRAWN BY	DATE	SIZE	ANGLE	△	修正 LAYOUT 固定孔位	吳弘文	2013/01/23		CUSTOMER		
Eddie	2023.02.16	A4	0° ±1°	△	修正 pin 針尺寸公差	鄭小嬌	2015/06/08				
			.0° ±	△	依 ECR-00000160 修改產品敘述	李柏昇	2016/08/02				
			SHEET 1/1	△	依實物增加 CS LOGO	周家慶	2018/01/22		Conforms to The RoHS Instruction		



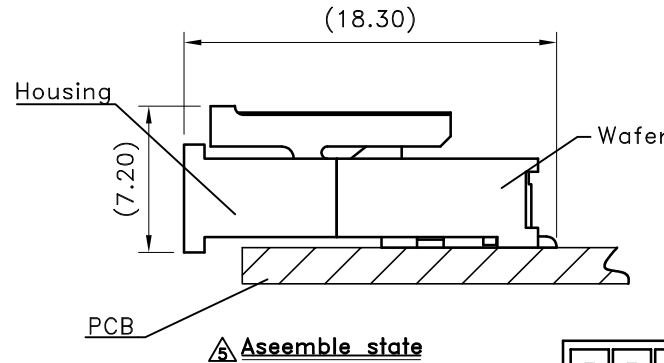
Poles	Dimensions(mm)			Poles	Dimensions(mm)		
	A	B	C		A	B	C
2	3.00	9.70	14.20	8	21.00	27.70	32.20
3	6.00	12.70	17.20	9	24.00	30.70	35.20
4	9.00	15.70	20.20	10	27.00	33.70	38.20
5	12.00	18.70	23.20	11	30.00	36.70	41.20
6	15.00	21.70	26.20	12	33.00	39.70	44.20
7	18.00	24.70	29.20				

■ SPECIFICATIONS

- Current Rating : 5A AC/DC
- Withstanding Voltage : 1,500V AC/minute
- Insulation Resistance : 1,000MΩ min.
- △ • Temperature Range : -40°C ~ +105°C
- Contact Resistance : 20mΩ max.

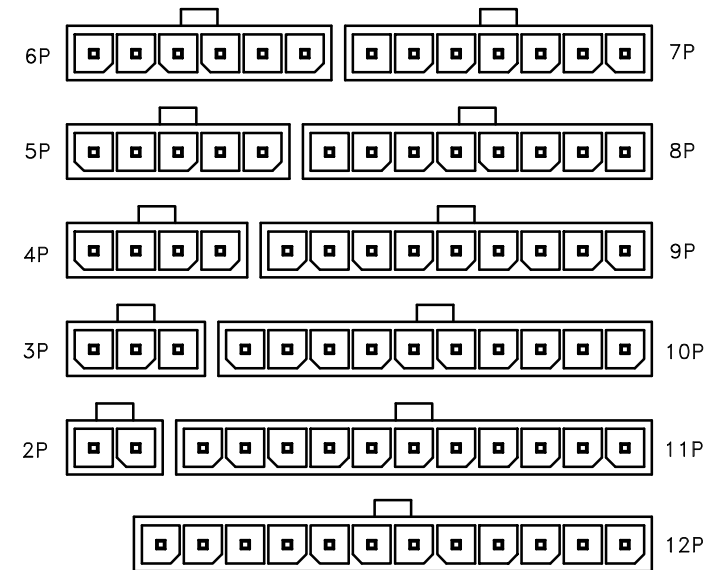
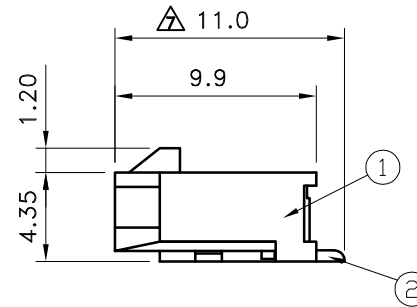
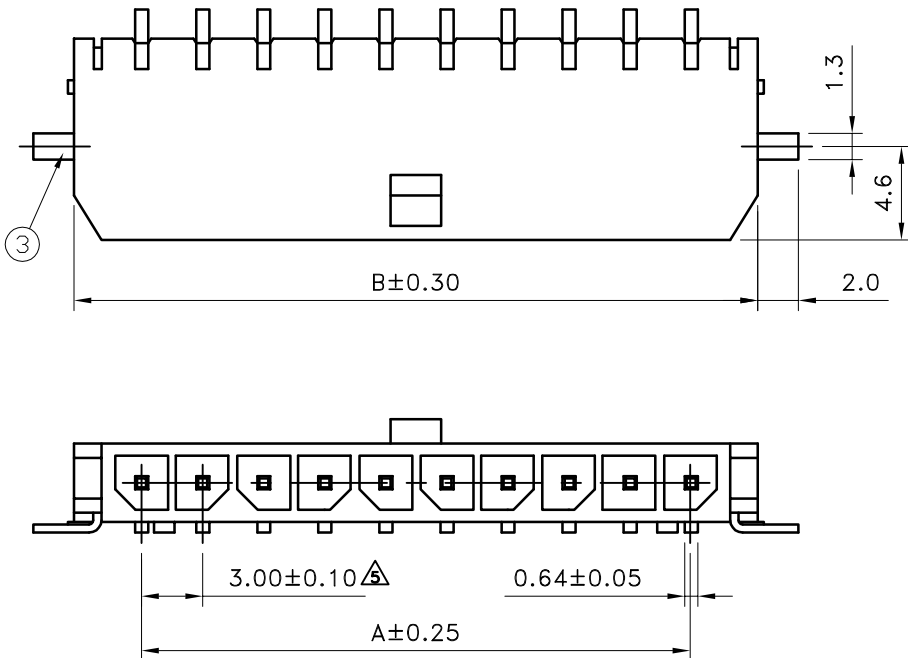
■ WAFER

- Part No. : JS-3028SH-XX
- Poles : 2 - 12 (With Solder Nail)
- △ • Material : 1.Base : LCP, UL 94V-0
2.Contacts : Brass
3.Solder Nail : Brass
- Finish : 100u"Min Tin-Lead Plating.
50u"Min Nickel Under Plating.



△ Recommended PCB Layout

General Tolerance ±0.05

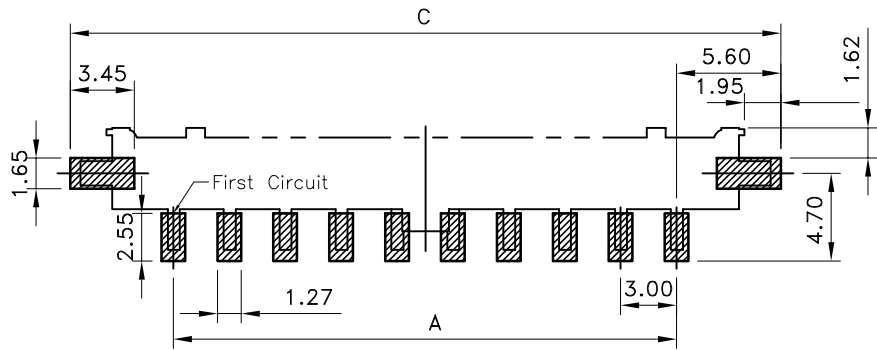


喬訊電子工業股份有限公司
CHYAO SHIUNN
ELECTRONIC INDUSTRIAL LTD.

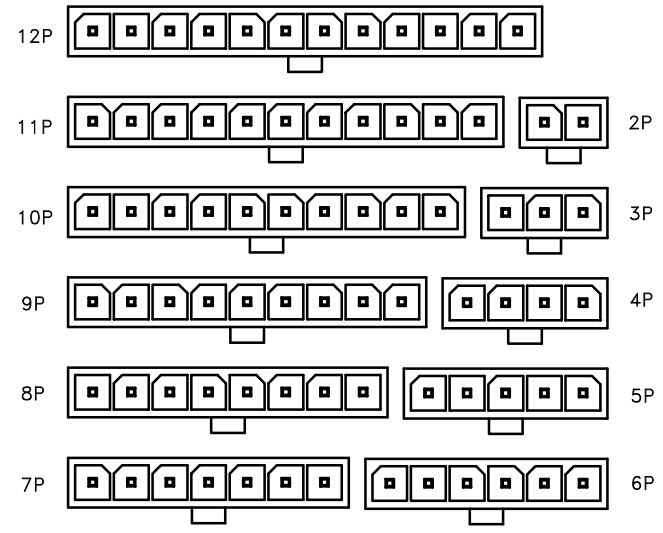
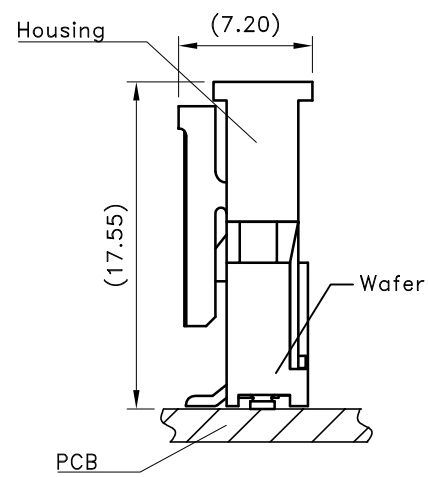
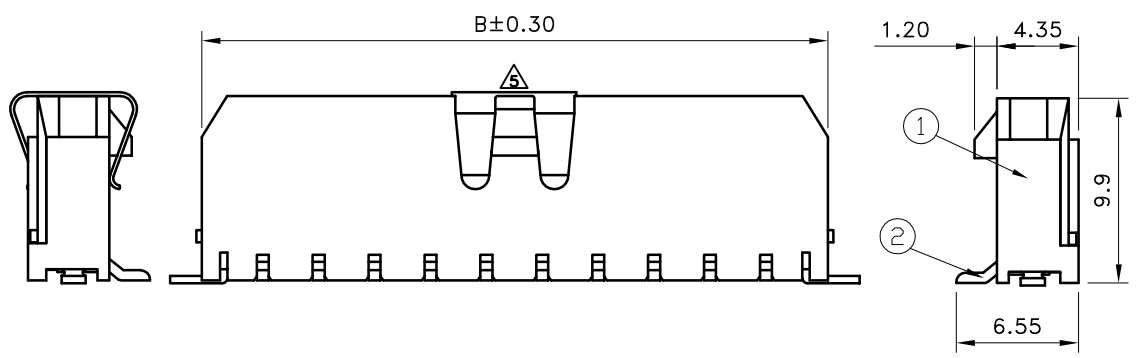
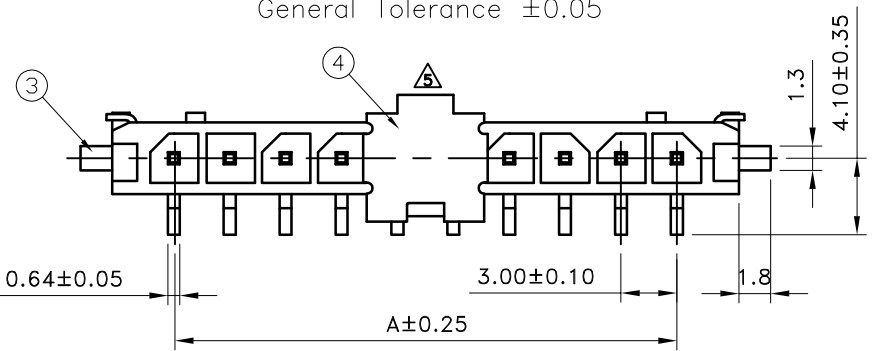
PART NO JS-3028SH-XX

3.00mm SMT Single-Row Wire to Board Power Connector Series.

APPROVED BY	SCALE	UNIT	TOLERANCE	LTR	REVISION RECORD	NAME	DATE	LTR	REVISION RECORD	NAME	DATE
張育瑞		mm	.0 ±0.30	△	200707-009	黃科源	2007/07/06	△	依ECR-00000160修改產品敘述	李柏昇	2016/08/02
CHECKED BY	PROJ	VER NO.	.00 ±0.20	△	200802-011	黃科源	2008/02/19	△			
簡鴻彬		a8	.000 ±0.10	△	200803-015	黃科源	2008/03/12	△			
DRAWN BY	DATE	SIZE	ANGLE		200810-012	黃科源	2008/10/30		CUSTOMER		
李柏昇	2016/08/02	A4	0° ±1°	△	環境溫度變更-40°C to +105°C	劉怡瑩	2011/01/31				
			.0° ±	△	尺寸修正	吳弘文	2013/02/20		Conforms to The RoHS Instruction		
			SHEET	1/1	尺寸修定	吳弘文	2015/04/13				



Recommended PCB Layout
General Tolerance ± 0.05

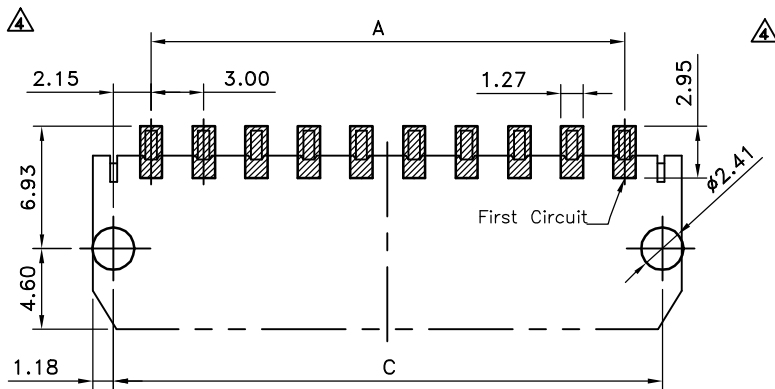


- **SPECIFICATIONS**
- Current Rating : 5A AC/DC
 - Withstanding Voltage : 1,500V AC/minute
 - Insulation Resistance : 1,000M Ω min.
 - Temperature Range : -40°C to +105°C
 - Contact Resistance : 20m Ω max.

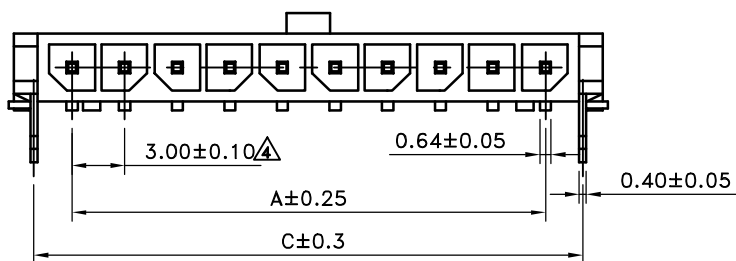
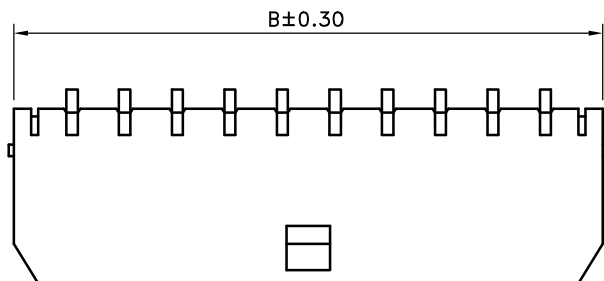
- **WAFER**
- Part No. : JS-3028SV-XX
 - Poles : 2 - 12 (With Solder Nail)
 - Material : 1. Base : LCP, UL 94V-0
2. Contacts : Brass
3. Solder Nail : Brass
4. Cap : Brass
 - Finish : 100u"Min Tin-Lead Plating.
50u"Min Nickel Under Plating.

Poles	Dimensions(mm)		
	A	B	C
2	3.00	9.70	14.20
3	6.00	12.70	17.20
4	9.00	15.70	20.20
5	12.00	18.70	23.20
6	15.00	21.70	26.20
7	18.00	24.70	29.20
8	21.00	27.70	32.20
9	24.00	30.70	35.20
10	27.00	33.70	38.20
11	30.00	36.70	41.20
12	33.00	39.70	44.20

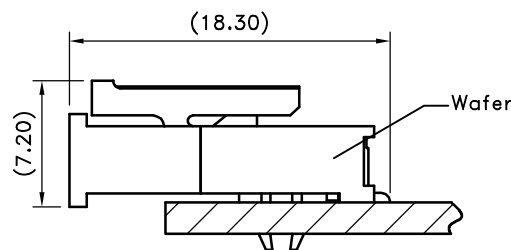
<p>喬訊電子工業股份有限公司 CHYAO SHIUNN ELECTRONIC INDUSTRIAL LTD.</p>	APPROVED BY	SCALE	UNIT	TOLERANCE	LTR	REVISION RECORD	NAME	DATE	LTR	REVISION RECORD	NAME	DATE
	張育瑞		mm	.0 ± 0.30	▲	200707-010	黃科源	07/07/06	▲			
	CHECKED BY	PROJ	VER NO.	.00 ± 0.20	▲	200803-014	黃科源	08/03/12	▲			
	簡鴻彬			.000 ± 0.10	▲	200810-012	黃科源	08/10/30	▲			
PART NO	JS-3028SV-XX		a6	ANGLE	▲	環境溫度變更-40°C to +105°C	劉怡萱	11/01/27		CUSTOMER		
DRAWN BY	DATE	SIZE	0° $\pm 1^\circ$	▲	增加CAP標示	吳弘文	13/12/02					
3.00mm SMT Single-Row Wire to Board Power Connector Series.	李柏昇	2016/08/02	A4	0° \pm	▲	依ECR-00000160修改產品敘述	李柏昇	16/08/02	Conforms to The RoHS Instruction			
			SHEET	1/1	▲							



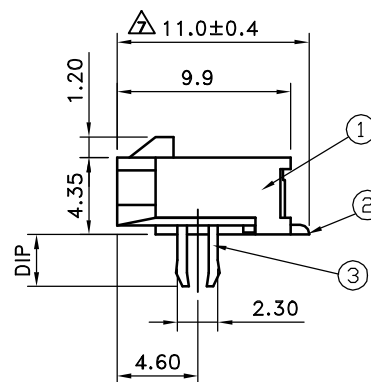
Recommended PCB Layout
General Tolerance ± 0.05



Poles	Dimensions(mm)			Poles	Dimensions(mm)		
	A	B	C		A	B	C
2	3.00	9.70	7.30	8	21.00	27.70	25.30
3	6.00	12.70	10.30	9	24.00	30.70	28.30
4	9.00	15.70	13.30	10	27.00	33.70	31.30
5	12.00	18.70	16.30	11	30.00	36.70	34.30
6	15.00	21.70	19.30	12	33.00	39.70	37.30
7	18.00	24.70	22.30				



Assembly state

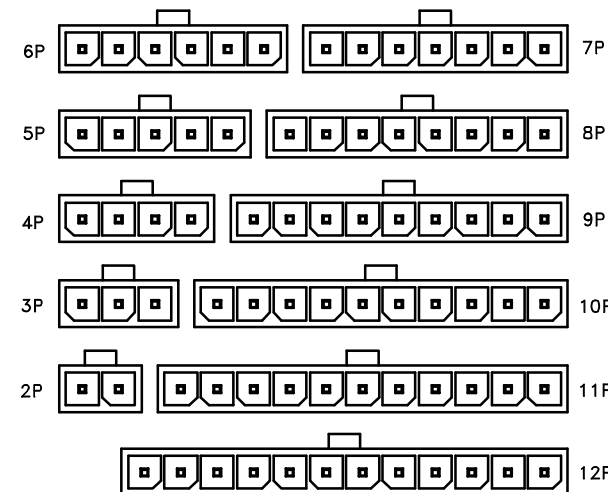


SPECIFICATIONS

- Current Rating : 5A AC/DC
- Withstanding Voltage : 1,500V AC/minute
- Insulation Resistance : 1,000M Ω min.
- Temperature Range : -40 $^{\circ}$ C ~ +105 $^{\circ}$ C
- Contact Resistance : 20m Ω max.

WAFER

- Part No. : JS-3029SH-XX X^①
- Poles : 2 - 12 (With Mount Clips)
- ① DIP Length : blank : 3.2mm
D : 2.0mm
- Material : 1.Base : LCP, UL 94V-0
2.Contacts : Brass
3.Clip:Brass
- Finish : 100u"Min Tin-Lead Plating.
50u"Min Nickel Under Plating.



喬訊電子工業股份有限公司
CHYAO SHIUNN
ELECTRONIC INDUSTRIAL LTD.

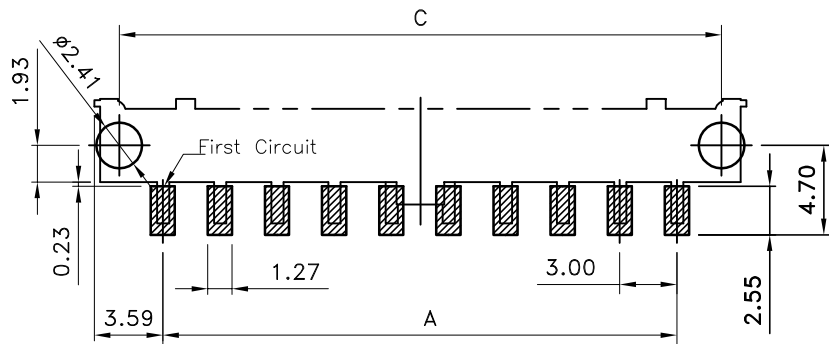
APPROVED BY	SCALE	UNIT	TOLERANCE	LTR	REVISION RECORD	NAME	DATE	LTR	REVISION RECORD	NAME	DATE
Tom Shih		mm	.0 ± 0.30	△	200707-009	黃科源	07/07/06	△	新增DIP Length選項	Eddie	2019/01/04
CHECKED BY	PROJ	VER NO.	.00 ± 0.20	△	200802-011	黃科源	08/02/19	△			
Erin Chou	◎	a8	.000 ± 0.10	△	200810-012	黃科源	08/10/30	△			
DRAWN BY	DATE	SIZE	ANGLE	△	環境溫度變更-40 $^{\circ}$ C to +105 $^{\circ}$ C	劉怡萱	11/01/31	△			
Eddie	2019/01/04	A4	0 $^{\circ}$ $\pm 1^{\circ}$	△	尺寸變更	吳弘文	2013/02/20	△			
			.0 $^{\circ}$ \pm	△	依ECR-00000160修改產品敘述	李柏昇	2016/08/02	△			
			SHEET 1/1	△	尺寸變更	Eddie	2018/10/08	△			

PART NO JS-3029SH-XXX

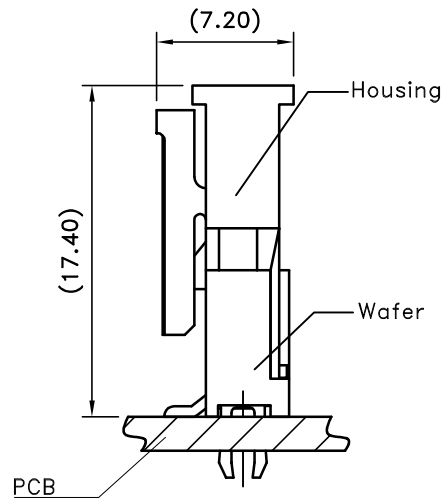
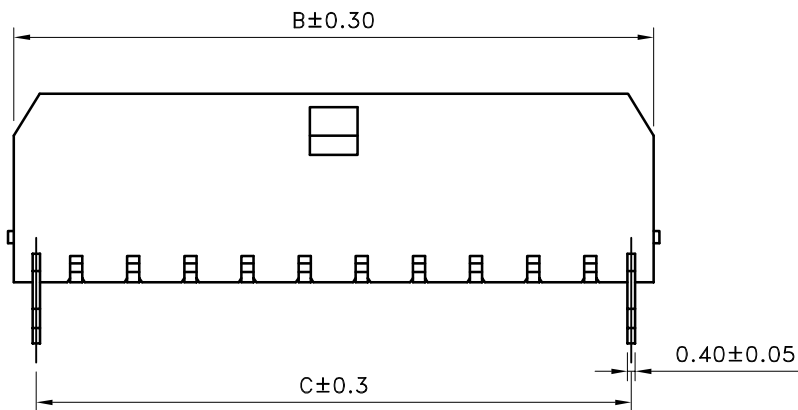
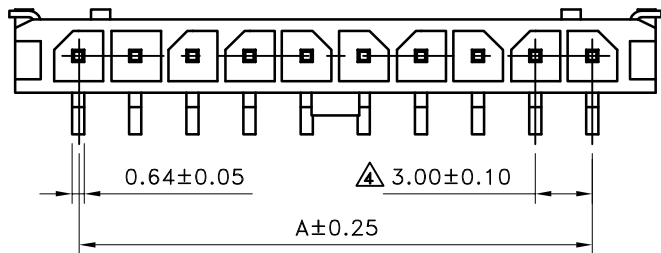
3.00mm SMT Single-Row Wire to Board Power Connector Series.

CUSTOMER

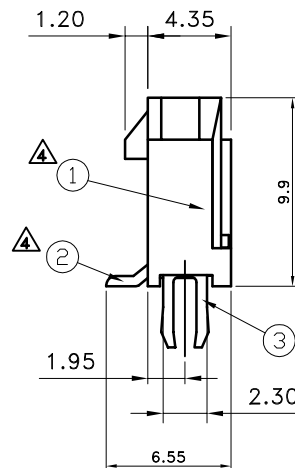
Conforms to The RoHS Instruction



△ Recommended PCB Layout
General Tolerance ± 0.05



△ Assemble state



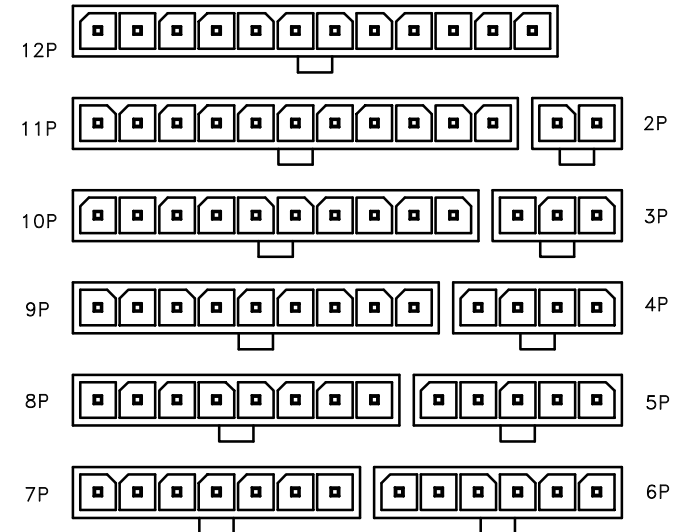
■ SPECIFICATIONS

- Current Rating : 5A AC/DC
- Withstanding Voltage : 1,500V AC/minute
- Insulation Resistance : 1,000M Ω min.
- △ • Temperature Range : $-40^{\circ}\text{C} \sim +105^{\circ}\text{C}$
- Contact Resistance : 20m Ω max.

■ WAFER

- Part No. : JS-3029SV-XX
- Poles : 2 - 12 (With Mount Clips)
- △ • Material : 1.Base : LCP, UL 94V-0
2.Contacts : Brass
3.Clip:Brass
- Finish : 100u"Min Tin-Lead Plating.
50u"Min Nickel Under Plating.

Poles	Dimensions(mm)			Poles	Dimensions(mm)		
	A	B	C		A	B	C
2	3.00	9.70	7.30	8	21.00	27.70	25.30
3	6.00	12.70	10.30	9	24.00	30.70	28.30
4	9.00	15.70	13.30	10	27.00	33.70	31.30
5	12.00	18.70	16.30	11	30.00	36.70	34.30
6	15.00	21.70	19.30	12	33.00	39.70	37.30
7	18.00	24.70	22.30				



喬訊電子工業股份有限公司
CHYAO SHIUNN
ELECTRONIC INDUSTRIAL LTD.

PART NO JS-3029SV-XX
3.0mm Single Row, Straight SMT Type

APPROVED BY	SCALE	UNIT	TOLERANCE	LTR	REVISION RECORD	NAME	DATE	LTR	REVISION RECORD	NAME	DATE
張育瑞		mm	.0 ± 0.30	△	200707-008	黃科源	07/07/06	△			
CHECKED BY	PROJ	VER NO.	.00 ± 0.20	△	200802-009	黃科源	08/02/18	△			
簡鴻彬		a5	.000 ± 0.10	△	200810-012	黃科源	08/10/30	△			
DRAWN BY	DATE	SIZE	ANGLE		環境溫度變更 -40°C to $+105^{\circ}\text{C}$		劉怡萱		2011/02/09		
李柏昇	2016/08/02	A4	0°	$\pm 1^{\circ}$	△	依ECR-00000160修改產品敘述	李柏昇		2016/08/02		
			.0°	\pm	△						
			SHEET	1/1	△				CUSTOMER		
									Conforms to The RoHS Instruction		