

6~24 Circuit

2&4 Circuit

■ SPECIFICATIONS

- Current rating : 5A AC/DC
- Withstanding voltage : 1,500V AC/minute
- Insulation resistance : 1,000M Ω min. initial
- △ Temperature range : - 40°C ~ + 105°C
- Contact resistance : 20m Ω max.

■ RECEPTACLE HOUSING

- Part No. : JS-3025-XX X
① ②

① Poles : 2-24 (Double Row)

② Base Color : Blank : Black

△ W : White

• Material : Nylon 66 UL 94V-0

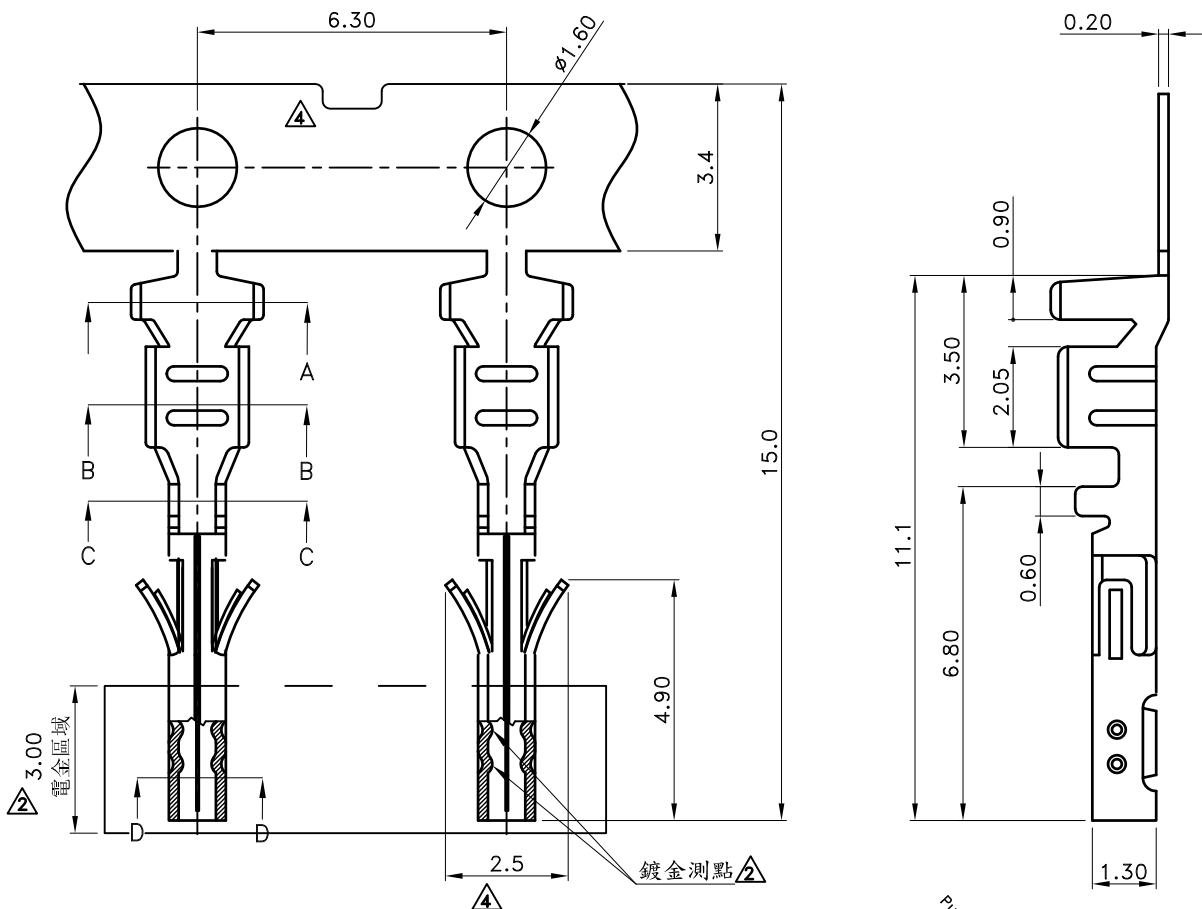
• Q' ty : 1000 pcs./Bag

Poles	Dimensions(mm)	
	A	B
2	---	4.00
4	3.00	7.00
6	6.00	10.00
8	9.00	13.00
10	12.00	16.00
12	15.00	19.00
14	18.00	22.00
16	21.00	25.00
18	24.00	28.00
20	27.00	31.00
22	30.00	34.00
24	33.00	37.00



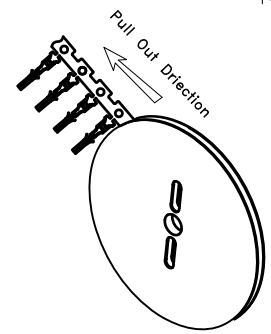
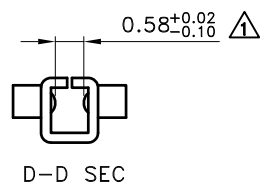
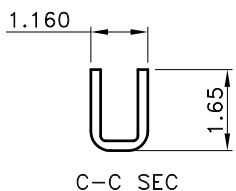
喬訊電子工業股份有限公司
CHYAO SHIUNN
ELECTRONIC INDUSTRIAL LTD.

APPROVED BY	SCALE	UNIT	TOLERANCE	LTR	REVISION RECORD	NAME	DATE	LTR	REVISION RECORD	NAME	DATE	
Shih Tom		mm	.0 ±0.30	△	ECR 200507-003	曲智浩	2005/07/13	△	依ECR-00000160修改產品敘述	李柏昇	2016/08/02	
CHECKED BY	PROJ	VER NO.	.00 ±0.20	△	ECR 200609-001	黃科源	2006/09/09	△	依ECR修改產品尺寸	李柏昇	2017/02/06	
Erin Chou		a11	.000 ±0.10	△	ECR 200804-007	黃科源	2008/04/09	△	新增白色選項	Eddie	2018/11/22	
DRAWN BY	DATE	SIZE	ANGLE		ECR 200810-009	黃科源	2008/10/22	CUSTOMER				
Eddie	2018/11/22	A4	0°	±1°	△	ECR 200910-003	黃科源					2009/10/12
			0°	±	△	ECR 201012-011 修改圖面尺寸	吳沛倫					2010/12/23
3.00mm Dip Double-Row Wire to Board Power Connector Series			SHEET	1/1	△	環境溫度變式-40°C to 105°C	劉怡瑩	2011/02/09	Conforms to The RoHS Instruction			



3.00
鍍金區域

鍍金測點



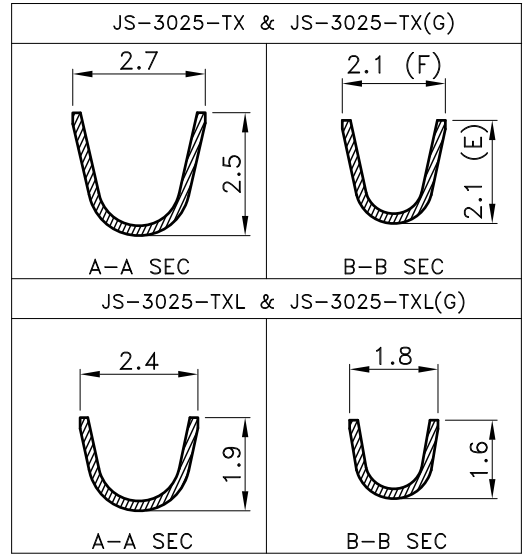
■ SPECIFICATIONS

- Current rating : 5A AC/DC
- Withstanding voltage : 1,500V AC/minute
- Insulation resistance : 1,000MΩ min. initial
- Temperature range : - 40°C to + 85°C
- Contact resistance : 20mΩ max.

■ TERMINAL

- Part No. : JS-3025-T X (X) (X)
- ① ② ③

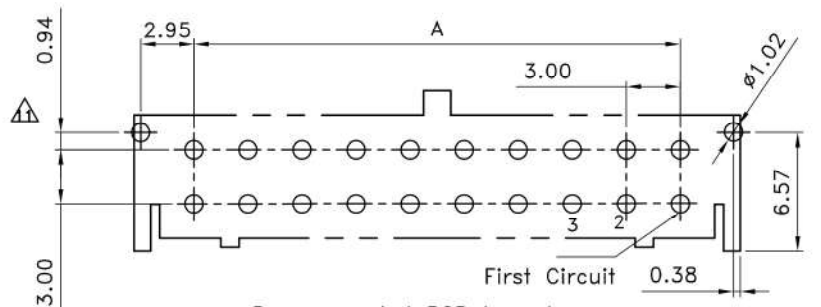
- ① Process
Blank :Plating before Stamp
P: Stamping before Plated
- ② Crimp Angle
Blank : High Crimp
L : Low Crimp
- ③ Plated
Blank :120u' min.TIN over 30u' min.NICKEL
G : 0.8u' min. AU over 30u' min. NICKEL.
- Applicable Wire :
1. High Crimp : AWG #20~24
2. Low Crimp : AWG #26~30
- Material : Phos. Bronze
- Plated : Reference to the said options
- Q' ty : 10,000 pcs./Reel



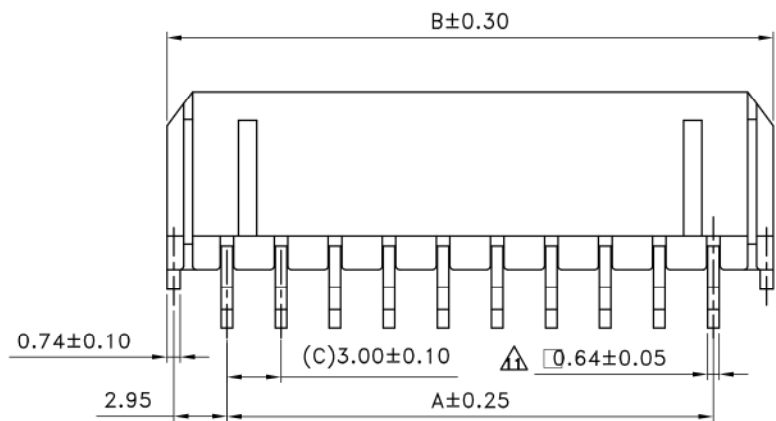
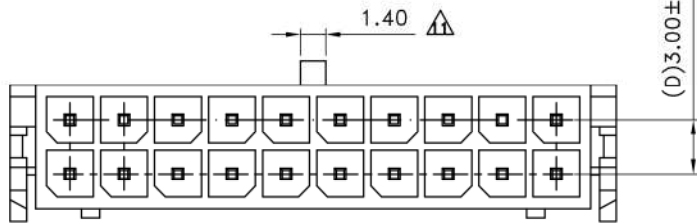
 喬訊電子工業股份有限公司
CHYAO SHIUNN
ELECTRONIC INDUSTRIAL LTD.

PART NO JS-3025-TX
3.00mm Power Connector, Crimp Terminal

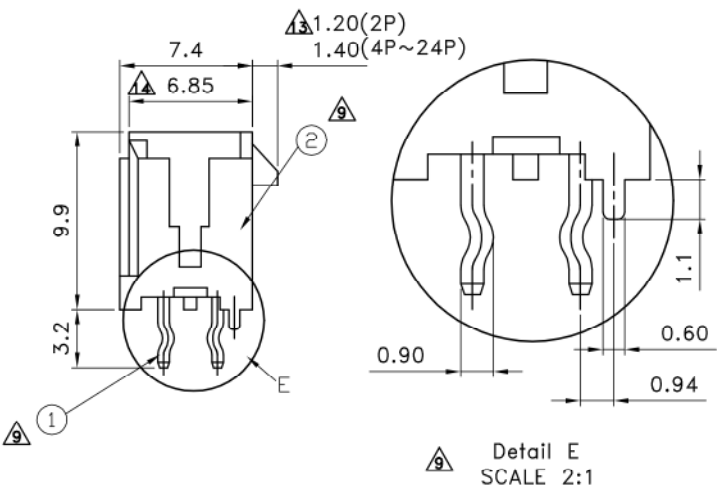
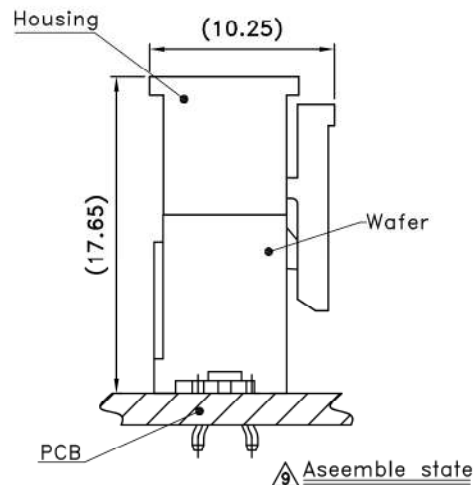
APPROVED BY	SCALE	UNIT	TOLERANCE	LTR	REVISION RECORD	NAME	DATE	LTR	REVISION RECORD	NAME	DATE
張育瑞		mm	.0 ±0.30	△	ECR 201012 005 修改圖面尺寸 併圖	吳沛倫	2010/12/22				
CHECKED BY	PROJ	VER NO.	.00 ±0.20	△	增加鍍金區域, 測點及電鍍規格	黃廣珍	2013/08/20				
劉娜		a5	.000 ±0.10	△	增加端子捲繞方向圖	吳弘文	2014/10/23				
DRAWN BY	DATE	SIZE	ANGLE		按實物修改料帶形狀及變更尺寸管控	吳小平	2015/07/07	CUSTOMER		Conforms to The RoHS Instruction	
謝君	2022/08/05	A4	0° ±1°	△	增加先沖后鍍選項	謝君	2022/08/05				
			.0° ±	△							
			SHEET	1/1							



Recommended PCB Layout
General Tolerance ± 0.05



Poles	Dimensions(mm)		Poles	Dimensions(mm)	
	A	B		A	B
2		6.65	14	18.00	24.65
4	3.00	9.65	16	21.00	27.65
6	6.00	12.65	18	24.00	30.65
8	9.00	15.65	20	27.00	33.65
10	12.00	18.65	22	30.00	36.65
12	15.00	21.65	24	33.00	39.65



Detail E
SCALE 2:1

SPECIFICATIONS

- Current Rating : 5A AC/DC
- Withstanding Voltage : 1,500V AC/minute
- Insulation Resistance : 1,000M Ω min
- Temperature Range : -40 $^{\circ}$ C ~ +105 $^{\circ}$ C
- Contact Resistance : 20m Ω max

WAFER

- Part No. : JS-3026-XX(XX)

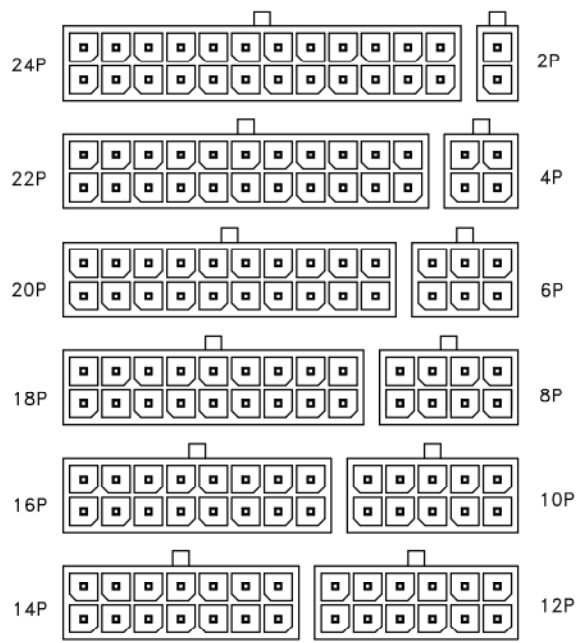
Code No. ① ②

- ① Poles : 2 - 24(Double Row, Straight)

② Contact Plated:

- Blank : Sn 100u" over Plated; Nickel 30u" under all over.
- G1 : 15u" Gold over plated Nickel 50u" Under all over.

- Material : 1.Contact : Brass
- 2.Base : Polyamide 6T/66 UL94V-0 ; Color : Black
- Q' ty : 2P-12P : 1,000 pcs./Bag
- 14P-24P : 500 pcs./Bag

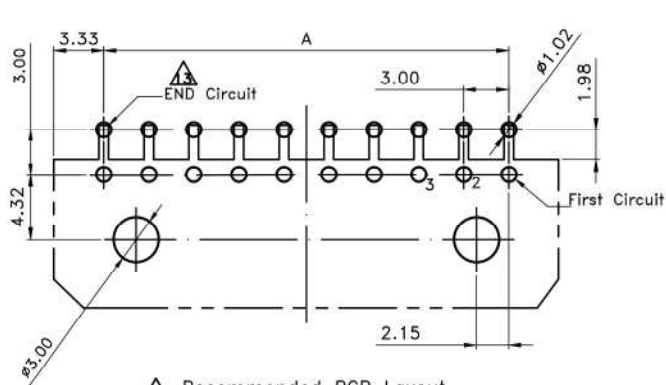


 喬訊電子工業股份有限公司
CHYAO SHIUNN
ELECTRONIC INDUSTRIAL LTD.

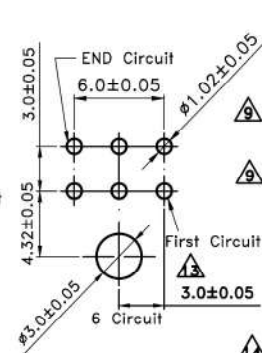
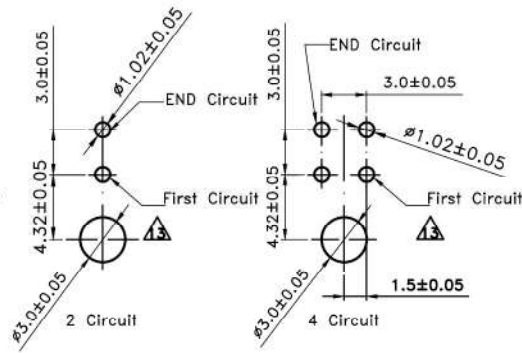
PART NO JS-3026-XX(XX)

3.00mm Dip Double-Row Wire to Board Power Connector Series.

APPROVED BY	SCALE	UNIT	TOLERANCE	LTR	REVISION RECORD	NAME	DATE	LTR	REVISION RECORD	NAME	DATE
Tom Shih		mm	.0 ±0.30	8	200910-002	黃科源	2009/05/20	5			
CHECKED BY	PROJ	VER. NO.	.00 ±0.20	9	客戶需求圖面上的環境溫度變更-40 $^{\circ}$ C to +105 $^{\circ}$ C 合併JS-3026XX(G1)	劉怡萱	2011/02/09	6			
Tom Shih		a14	.000 ±0.10	11	修正尺寸表	吳弘文	2013/02/19	7			
DRAWN BY	DATE	SIZE	ANGLE	12	修正Layout尺寸, 增加顏色標示	吳弘文	2014/09/15	CUSTOMER			
Erin Chou	2020/04/20	A4	0 $^{\circ}$ ±1 $^{\circ}$	13	依ECR-00000160修改產品敘述	李柏昇	2016/08/02				
			0 $^{\circ}$ ±	14	新增2P尺寸標註	Eddie	2019/08/12				
SHEET	1/1			14	新增6.85尺寸標註	Erin	2020/04/20	Conforms to The RoHS Instruction			



Recommended PCB Layout
General Tolerance ± 0.05



■ SPECIFICATIONS

- Current Rating : 5A AC/DC
- Withstanding Voltage : 1,500V AC/minute
- Insulation Resistance : 1,000M Ω min
- Temperature Range : - 40°C ~ + 105°C
- Contact Resistance : 20m Ω max

■ WAFER

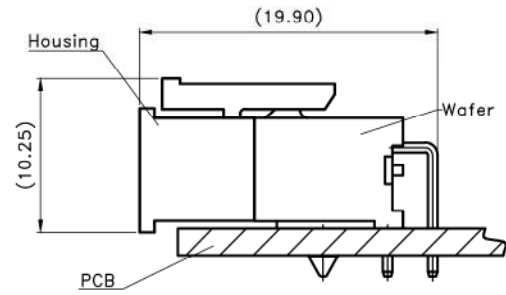
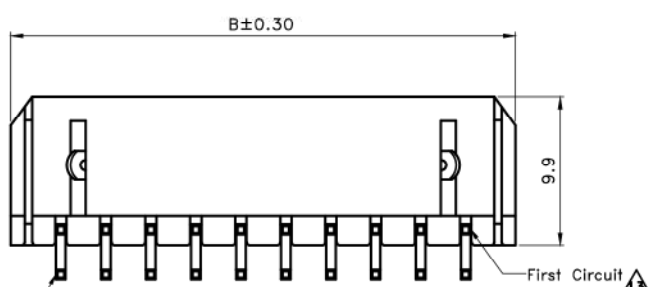
Part No. : JS-3027-XX (XX) XX
① ② ③

- ① Poles : 2 - 24(Double Row , Right Angle)
- ② Blank: Sn 100u" over Plated
Nickel 30u" under all over.
G1: Gold 15u" over plated
Nickel 50u" Under all over.

③ Base Material : Blank : Nylon 6T/66 UL94V-0; Color: Black
NH : Nylon 6T/66 UL94V-0, Halogen Free
Color: Black

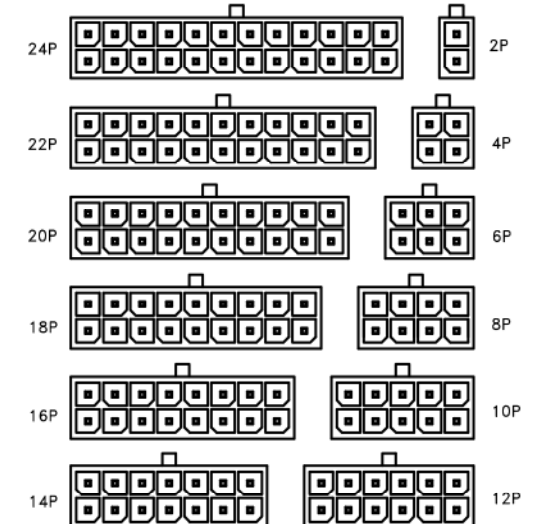
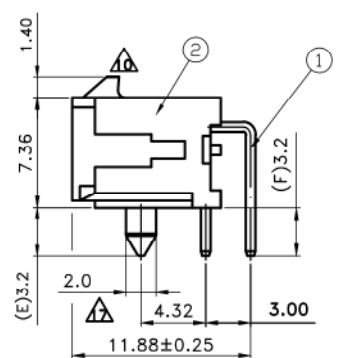
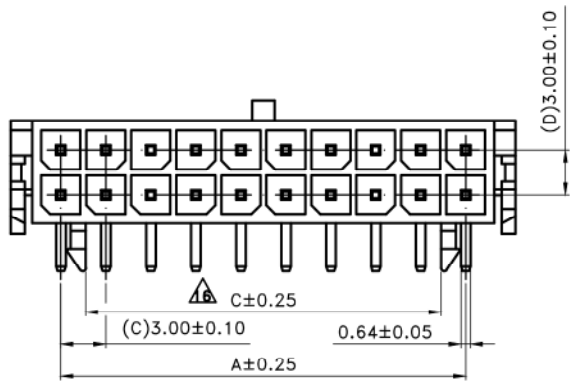
Material : 1.Contact : Brass
2.Base : Refer The Above Options

'Q' ty : 2P-12P : 1,000 pcs./Bag
14P-24P : 500 pcs./Bag



Assemble state

Poles	Dimensions(mm)			Poles	Dimensions(mm)		
	A	B	C		A	B	C
2		6.65		14	18.00	24.65	14.70
4	3.00	9.65		16	21.00	27.65	17.70
6	6.00	12.65		18	24.00	30.65	20.70
8	9.00	15.65	5.70	20	27.00	33.65	23.70
10	12.00	18.65	8.70	22	30.00	36.65	26.70
12	15.00	21.65	11.70	24	33.00	39.65	29.70

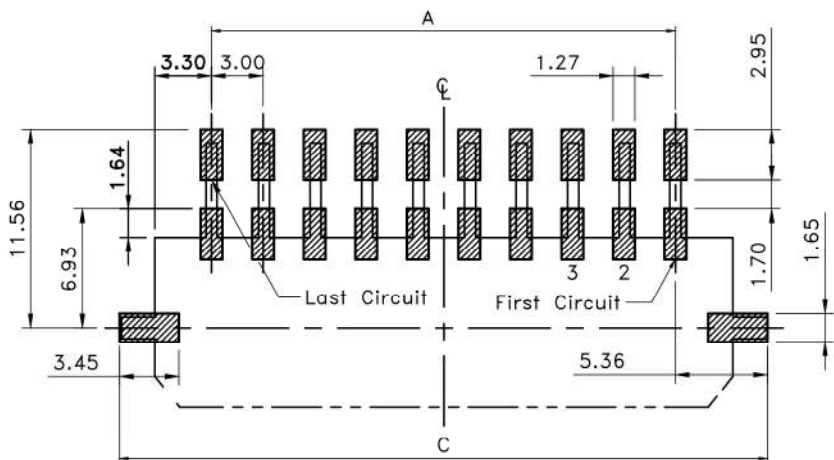


喬訊電子工業股份有限公司
CHYAO SHIUNN
ELECTRONIC INDUSTRIAL LTD.

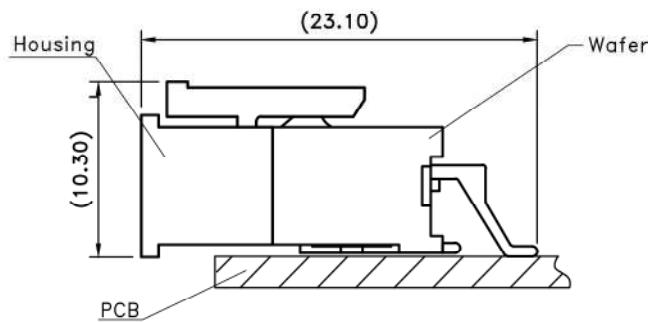
PART NO JS-3027-XX(XX)XX
3.00mm Double Row , Right Angle DIP Type

APPROVED BY	SCALE	UNIT	TOLERANCE	LTR	REVISION RECORD	NAME	DATE	LTR	REVISION RECORD	NAME	DATE
Tom Shih	1:1	mm	.0 ±0.30	△	環境溫度變-40°C to +105°C 參照 JS-3027XX(G1)	劉怡登	2011/02/08	△	Add Dim.C	Erin	2016/10/11
CHECKED BY	PROJ	VER NO.	.00 ±0.20	△	卡勾部位加上R角改與實物相符	林豐盛	2011/06/13	△	將產品柱子寬度2.00改為2.0	Tom Lee	2017/03/16
Erin Chou	⊕	a17	.000 ±0.10	△	修正尺寸表	吳弘文	2013/02/19	△			
DRAWN BY	DATE	SIZE	ANGLE	△	增加無齒料號	吳弘文	2014/01/20	△			
Tom Lee	2017/03/16	A4	0° ±1°	△	增加END Circuit 標示	吳弘文	2014/10/03	△			
			.0° ±	△	增加顏色標示	吳弘文	2015/09/09	△			
			SHEET 1/1	△	依 ECR-00000160 修改產品敘述	李柏昇	2016/08/02	△			

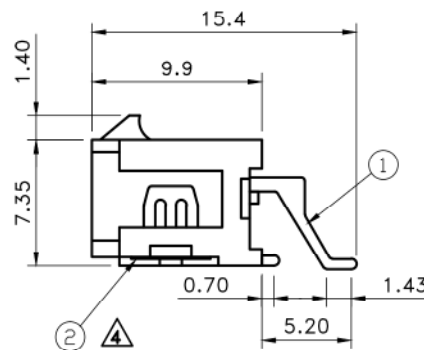
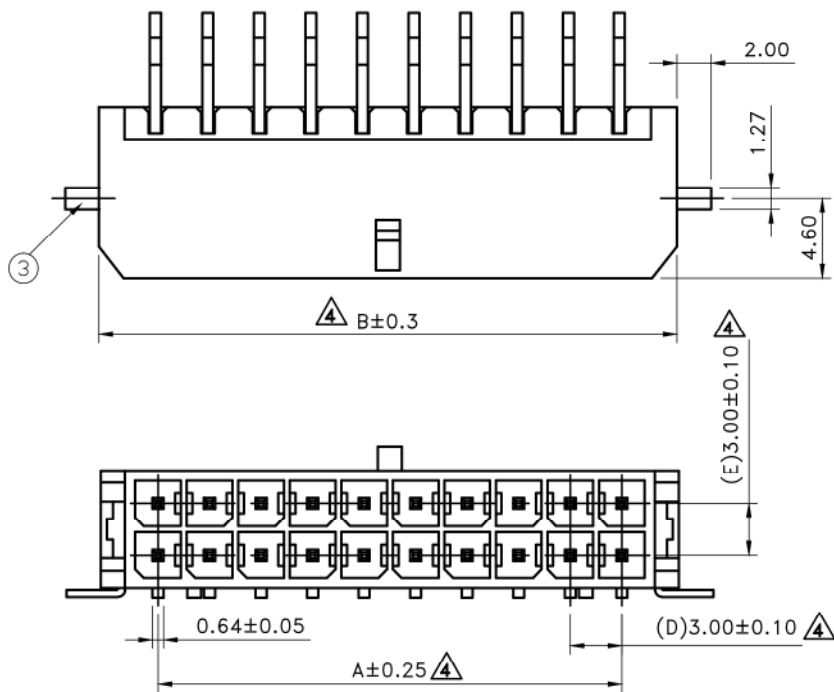
CUSTOMER
Conforms to The RoHS Instruction



△ Recommended PCB Layout
General Tolerance ± 0.05



△ Aseemle state



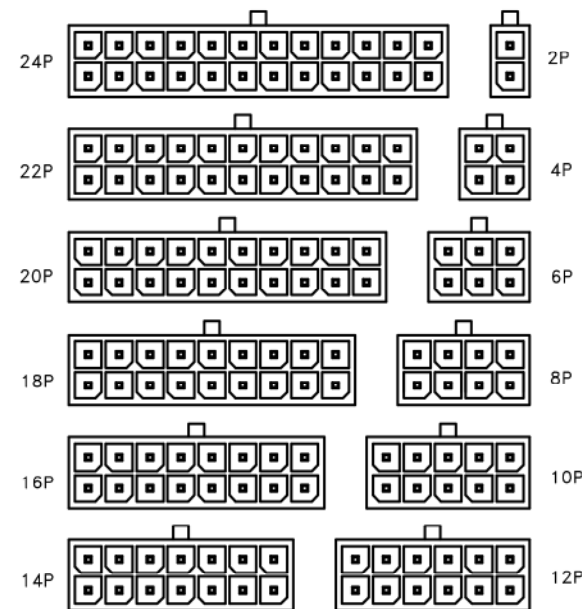
■ SPECIFICATIONS

- Current Rating : 5A AC/DC
- Withstanding Voltage : 1,500V AC/minute
- Insulation Resistance : 1,000M Ω min.
- △ • Temperature Range : -40 $^{\circ}$ C ~ +105 $^{\circ}$ C
- Contact Resistance : 20m Ω max.

■ WAFER

- Part No. : JS-3028H-XX
- Poles : 2 - 24(Right Angle ; With Solder Nail)
- △ • Material : 1.Contact : Brass , Tin Plated
2. Base : High Temp. LCP
3.Solder Nail :Brass , Tin Plated
- Q' ty : 300 pcs./Reel

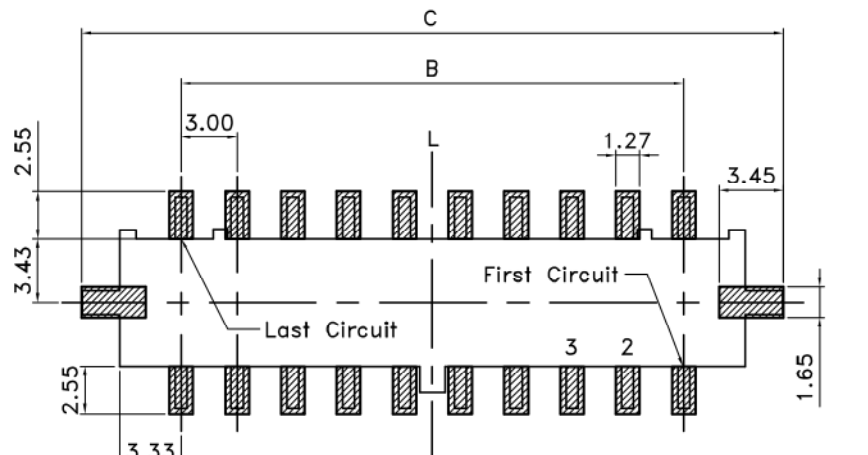
Poles	Dimensions(mm)			Poles	Dimensions(mm)		
	A	B	C		A	B	C
2	--	6.65	10.70	14	18.00	24.65	28.70
4	3.00	9.65	13.70	16	21.00	27.65	31.70
6	6.00	12.65	16.70	18	24.00	30.65	34.70
8	9.00	15.65	19.70	20	27.00	33.65	37.70
10	12.00	18.65	22.70	22	30.00	36.65	40.70
12	15.00	21.65	25.70	24	33.00	39.65	43.70



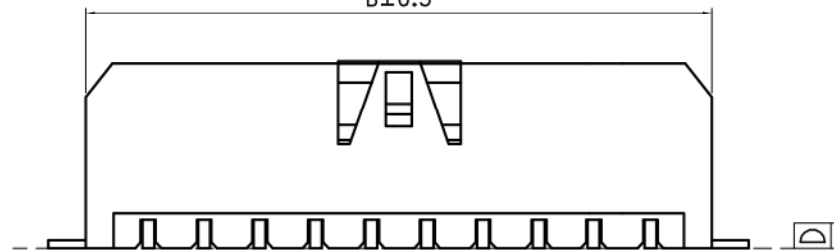
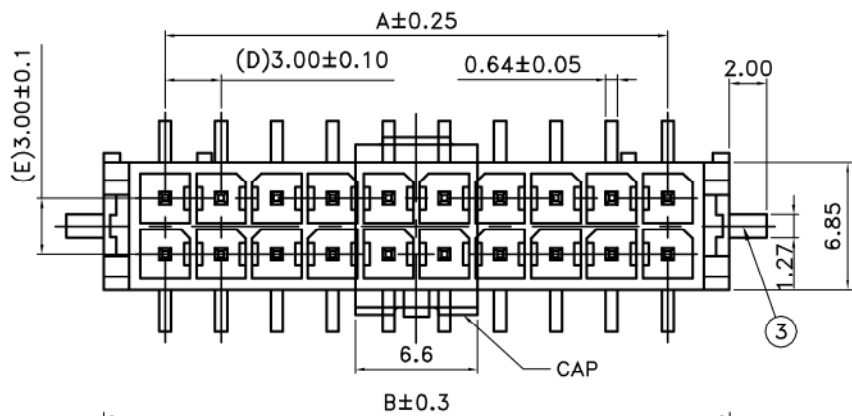
喬訊電子工業股份有限公司
CHYAO SHIUNN
ELECTRONIC INDUSTRIAL LTD.

APPROVED BY	SCALE	UNIT	TOLERANCE	LTR	REVISION RECORD	NAME	DATE	LTR	REVISION RECORD	NAME	DATE
張育瑞		mm	.0 ± 0.30	△	200601-011	林文彬	06/01/24	△			
CHECKED BY	PROJ	VER NO.	.00 ± 0.20	△	200606-004	林文彬	06/06/21	△			
簡鴻彬		a5	.000 ± 0.10	△	200811-013	黃科源	08/11/20	△			
DRAWN BY	DATE	SIZE	ANGLE	△	環境溫度變更-25 $^{\circ}$ C to+105 $^{\circ}$ C	劉怡萱	2011/01/31		CUSTOMER		
李柏昇	2016/08/02	A4	0 $^{\circ}$ $\pm 1^{\circ}$	△	依ECR-00000160修改產品敘述	李柏昇	2016/08/02		Conforms to The RoHS Instruction		
			.0 $^{\circ}$ \pm	△							
			SHEET 1/1	△							

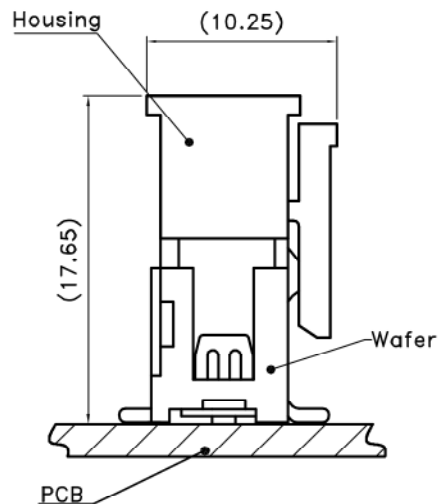
PART NO JS-3028H-XX
3.00mm SMT Single-Row Wire to Board Power Connector Series.



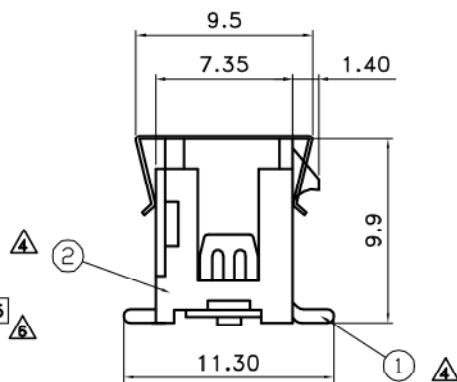
▲ Recommended PCB Layout
General Tolerance ± 0.05



Poles	Dimensions(mm)			Poles	Dimensions(mm)		
	A	B	C		A	B	C
2	--	6.65	11.20	14	18.00	24.65	29.20
4	3.00	9.65	14.20	16	21.00	27.65	32.20
6	6.00	12.65	17.20	18	24.00	30.65	35.20
8	9.00	15.65	20.20	20	27.00	33.65	38.20
10	12.00	18.65	23.20	22	30.00	36.65	41.20
12	15.00	21.65	26.20	24	33.00	39.65	44.20



▲ Assemble state

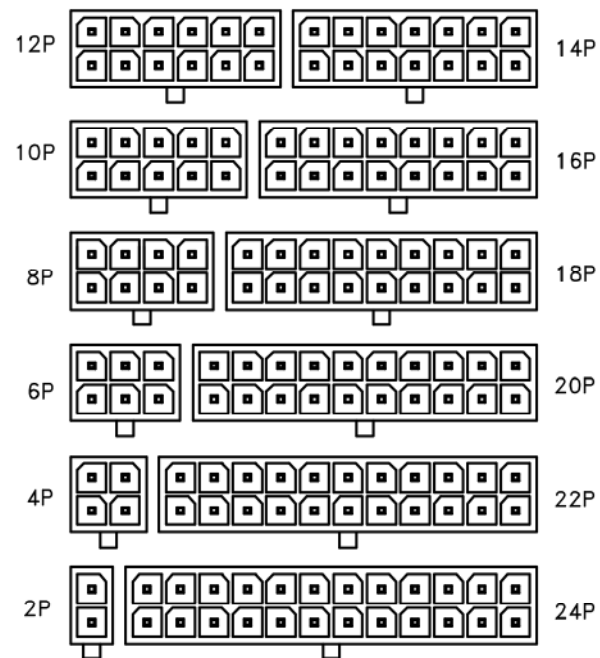


■ SPECIFICATIONS

- Current Rating : 5A AC/DC
- Withstanding Voltage : 1,500V AC/minute
- Insulation Resistance : 1,000MΩ min.
- ▲ • Temperature Range : -40 °C ~ +105 °C
- Contact Resistance : 20mΩ max.

■ WAFER

- Part No. : JS-3028V-XX /X
① ②
- ▲ ① Poles : 2 - 24 (Straight ; With Solder Nail)
- ▲ ② Packing : Blank : Reel
A : Tube
- ▲ • Material : 1. Contact : Brass , Tin Plated
2. Base : High Temp. LCP
3. Solder Nail : Brass , Tin Plated.
Thickness : 0.2mm



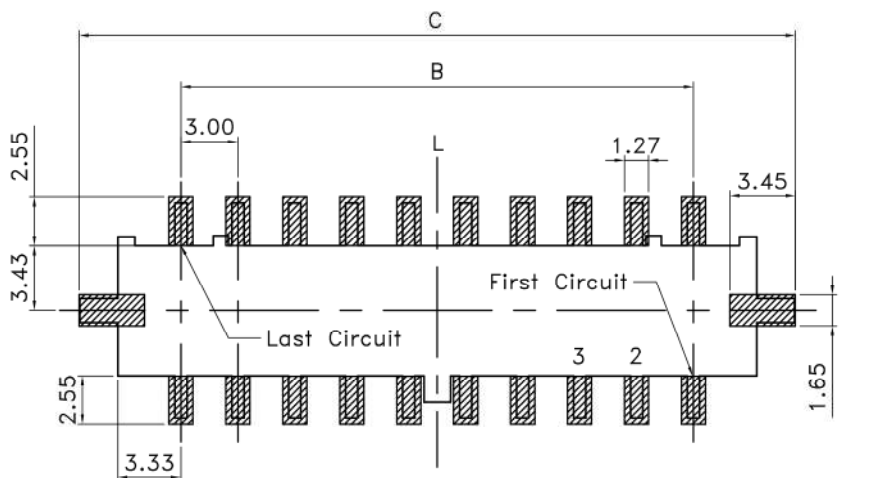
喬訊電子工業股份有限公司
CHYAO SHIUNN
ELECTRONIC INDUSTRIAL LTD.

APPROVED BY	SCALE	UNIT	TOLERANCE	LTR	REVISION RECORD	NAME	DATE	LTR	REVISION RECORD	NAME	DATE
Tom Shih		mm	.0 ±0.30	▲	200606-004	林文彬	06/06/21	▲			
CHECKED BY	PROJ	VER NO.	.00 ±0.20	▲	200703-001	黃科源	07/03/06	▲			
Erin Chou	⊕ ⊖	a7	.000 ±0.10	▲	200811-013	黃科源	08/11/20	▲			
DRAWN BY	DATE	SIZE	ANGLE		環境溫度變異-40°C to +105°C		劉怡萱	2011/02/09	CUSTOMER		
Eddie	2018/12/17	A4	0° ±1°	▲	依ECR-00000160修改產品敘述		李祐昇	2016/08/02			
			.0° ±	▲	新增共面度尺寸標示		Tom Lee	2018/04/27			
			SHEET	1/1	新增Tube包裝選項		Eddie	2018/12/17			

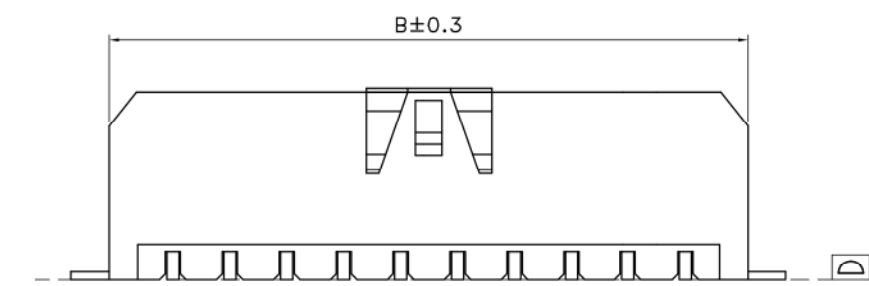
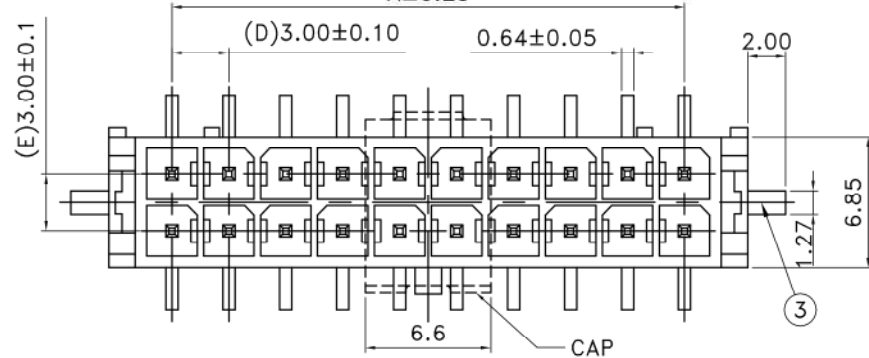
PART NO JS-3028V-XX/X

3.00mm SMT Double-Row Wire to Board Power Connector Series.

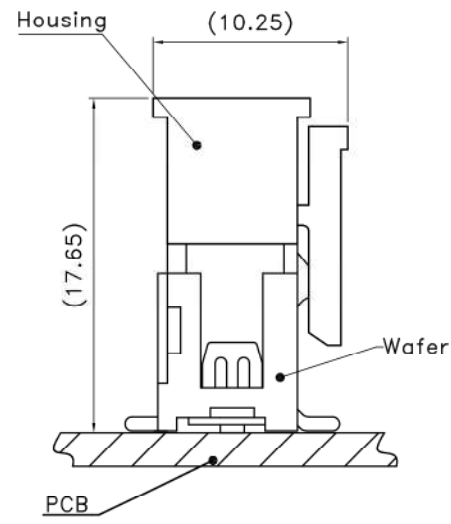
Conforms to The RoHS Instruction



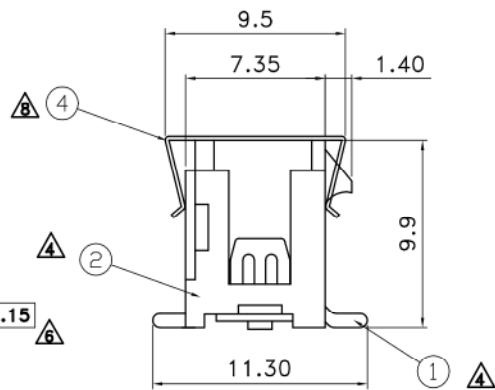
▲ Recommended PCB Layout
General Tolerance ± 0.05
 $A \pm 0.25$



Poles	Dimensions(mm)			Poles	Dimensions(mm)		
	A	B	C		A	B	C
2	--	6.65	11.20	14	18.00	24.65	29.20
4	3.00	9.65	14.20	16	21.00	27.65	32.20
6	6.00	12.65	17.20	18	24.00	30.65	35.20
8	9.00	15.65	20.20	20	27.00	33.65	38.20
10	12.00	18.65	23.20	22	30.00	36.65	41.20
12	15.00	21.65	26.20	24	33.00	39.65	44.20



▲ Assemble state



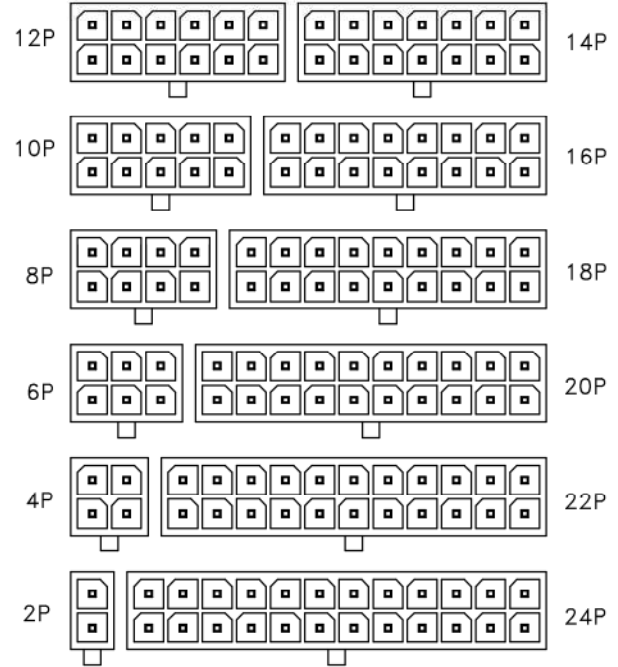
■ SPECIFICATIONS

- Current Rating : 5A AC/DC
- Withstanding Voltage : 1,500V AC/minute
- Insulation Resistance : 1,000M Ω min.
- ▲ Temperature Range : -40 $^{\circ}$ C ~ +105 $^{\circ}$ C
- Contact Resistance : 20m Ω max.

■ WAFER

- Part No. : JS-3028V-XX / X
① ②

- ① Poles : 2 - 24 (Straight ; With Solder Nail)
- ▲ ② Packing : Blank : Reel
A : Tube
- ▲ Material : 1. Contact : Brass , Tin Plated
2. Base : High Temp. LCP
3. Solder Nail : Brass , Tin Plated.
Thickness : 0.2mm
- ▲ 4. Cap : Brass

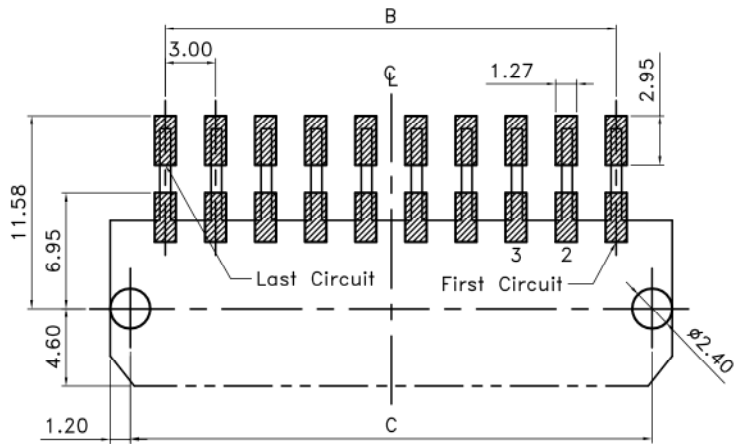


 喬訊電子工業股份有限公司
CHYAO SHIUNN
ELECTRONIC INDUSTRIAL LTD.

PART NO JS-3028V-XX / X
3.00mm SMT Double-Row Wire to Board Power Connector Series.

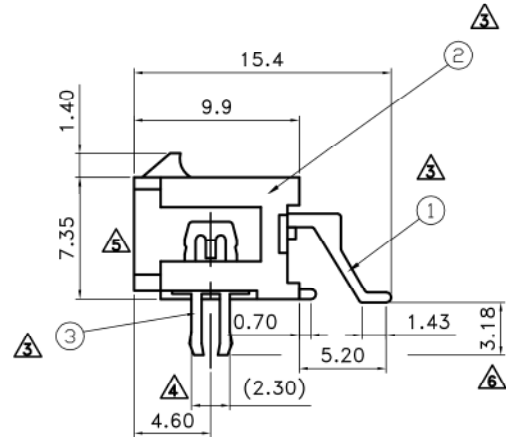
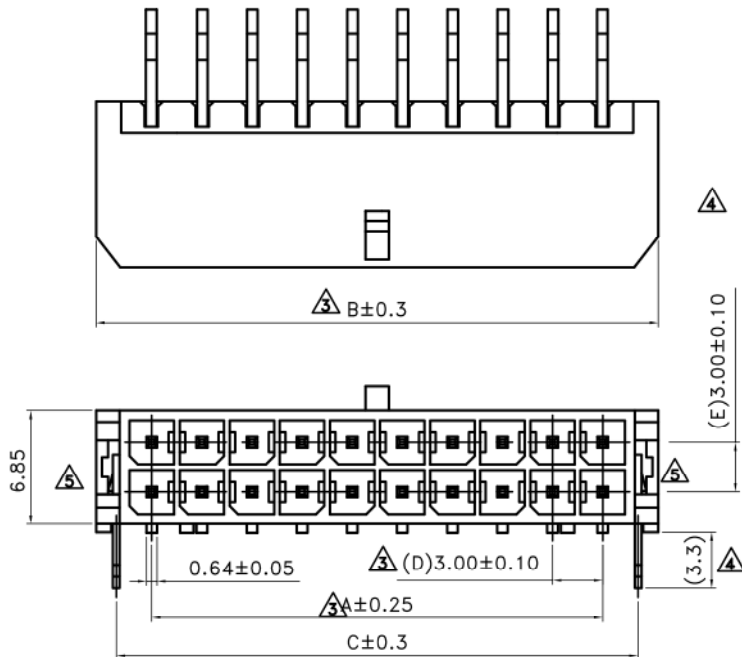
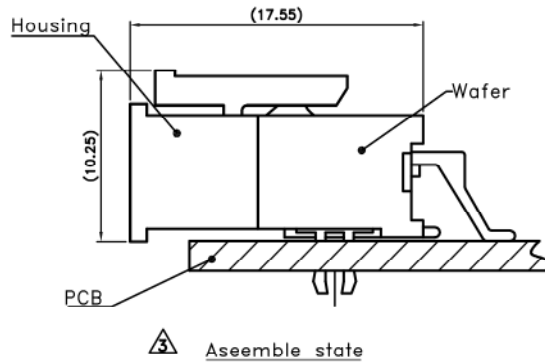
APPROVED BY	SCALE	UNIT	TOLERANCE	LTR	REVISION RECORD	NAME	DATE	LTR	REVISION RECORD	NAME	DATE
Tom Shih		mm	.0 ± 0.30	▲	200606-004	林文彬	06/06/21	▲	新增Cap材質標示	Eddie	2019/11/08
CHECKED BY	PROJ	VER NO.	.00 ± 0.20	▲	200703-001	黃科源	07/03/06	▲			
Erin Chou		a8	.000 ± 0.10	▲	200811-013	黃科源	08/11/20	▲			
DRAWN BY	DATE	SIZE	ANGLE	▲	環境溫度變更-40 $^{\circ}$ C to +105 $^{\circ}$ C	劉怡瑩	2011/02/09		CUSTOMER		
Eddie	2019/11/08	A4	0 $^{\circ}$ $\pm 1^{\circ}$	▲	依ECR-00000160修改產品敘述	李柏昇	2016/08/02				
			.0 $^{\circ}$ \pm	▲	新增共面度尺寸標示	Tom Lee	2018/04/27				
			SHEET 1/1	▲	新增Tube包裝選項	Eddie	2018/12/17				

Conforms to The RoHS Instruction



Recommended PCB Layout
General Tolerance ± 0.05

Poles	Dimensions(mm)			Poles	Dimensions(mm)		
	A	B	C		A	B	C
2	--	6.65	4.30	14	18.00	24.65	22.30
4	3.00	9.65	7.30	16	21.00	27.65	25.30
6	6.00	12.65	10.30	18	24.00	30.65	28.30
8	9.00	15.65	13.30	20	27.00	33.65	31.30
10	12.00	18.65	16.30	22	30.00	36.65	34.30
12	15.00	21.65	19.30	24	33.00	39.65	37.30

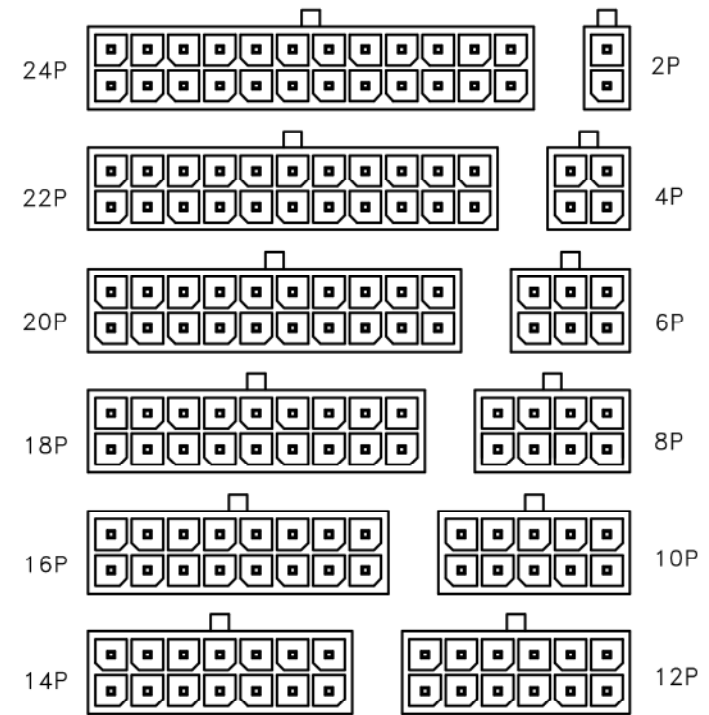


■ SPECIFICATIONS

- Current Rating : 5A AC/DC
- Withstanding Voltage : 1,500V AC/minute
- Insulation Resistance : 1,000M Ω min.
- Temperature Range : $-40^{\circ}\text{C} \sim +105^{\circ}\text{C}$
- Contact Resistance : 20m Ω max.

■ WAFER

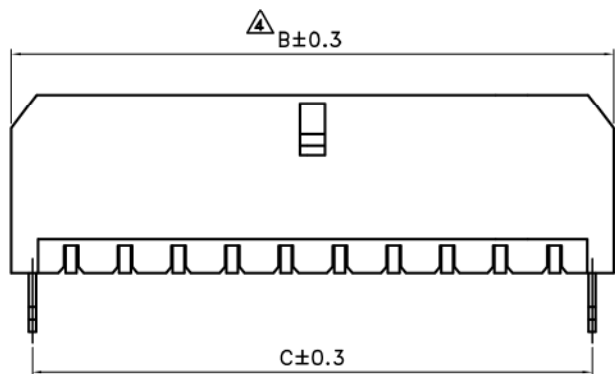
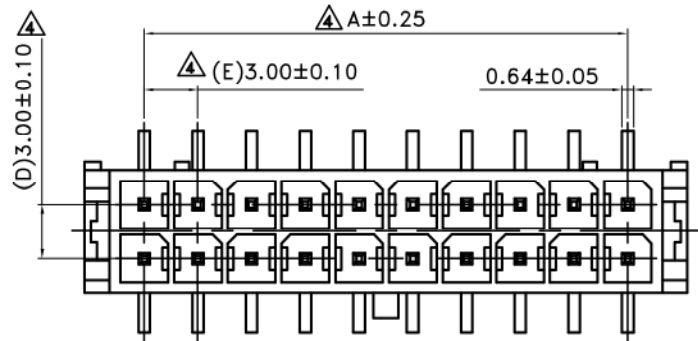
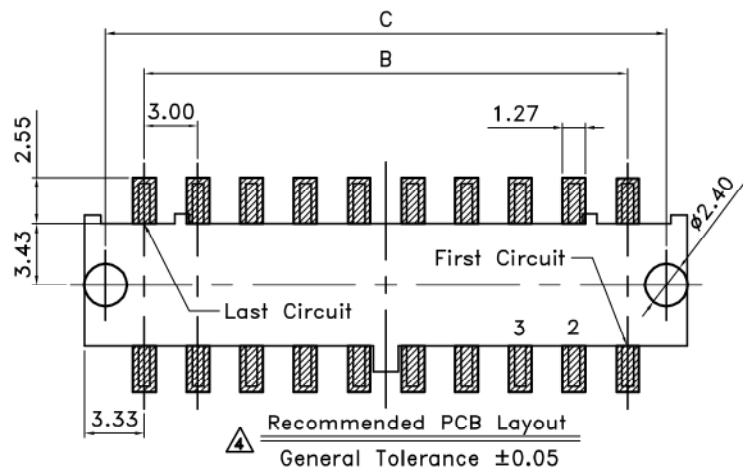
- Part No. : JS-3029H-XX
- Poles : 2 - 24(Right Angle ; With Mount Clips)
- Material : 1.Contact : Brass , Tin Plated
2.Base : High Temp. LCP
3.Clip:Brass , Tin Plated
- Q' ty : 300 pcs./Reel



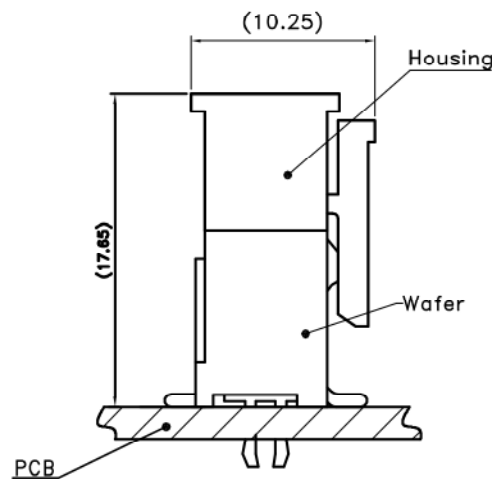
喬訊電子工業股份有限公司
CHYAO SHIUNN
ELECTRONIC INDUSTRIAL LTD.

PART NO JS-3029H-XX
3.00mm SMT Double-Row Wire to Board Power Connector Series.

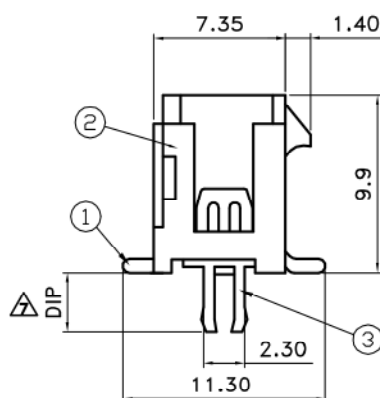
APPROVED BY	SCALE	UNIT	TOLERANCE	LTR	REVISION RECORD	NAME	DATE	LTR	REVISION RECORD	NAME	DATE
張育瑞		mm	.0 ± 0.30	▲	200606-004	林文彬	06/06/21	▲			
CHECKED BY	PROJ	VER NO.	.00 ± 0.20	▲	200811-013	黃科源	08/11/20	▲			
簡鴻彬		a6	.000 ± 0.10	▲	環境溫度變更-40°C to +105°C	劉怡萱	2011/02/08	▲			
DRAWN BY	DATE	SIZE	ANGLE		上視圖面多了耳扣	劉怡萱	2011/03/24		CUSTOMER		
李柏昇	2016/08/02	A4	0° $\pm 1^{\circ}$	▲	Clip 上方外觀修正	吳弘文	2014/05/21		Conforms to The RoHS Instruction		
			.0° \pm	▲	依ECR-00000160修改產品敘述	李柏昇	2016/08/02				
			SHEET 1/1	▲							



Poles	Dimensions(mm)			Poles	Dimensions(mm)		
	A	B	C		A	B	C
2	--	6.65	4.30	14	18.00	24.65	22.30
4	3.00	9.65	7.30	16	21.00	27.65	25.30
6	6.00	12.65	10.30	18	24.00	30.65	28.30
8	9.00	15.65	13.30	20	27.00	33.65	31.30
10	12.00	18.65	16.30	22	30.00	36.65	34.30
12	15.00	21.65	19.30	24	33.00	39.65	37.30



△ Assemble state

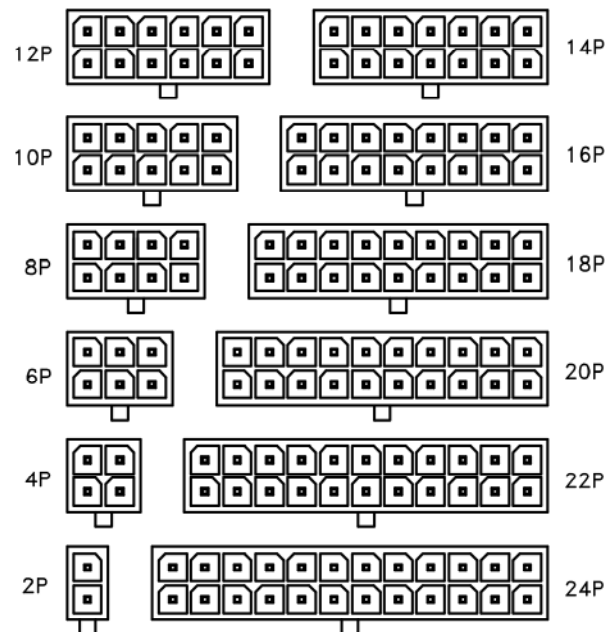


■ SPECIFICATIONS

- Current Rating : 5A AC/DC
- Withstanding Voltage : 1,500V AC/minute
- Insulation Resistance : 1,000M Ω min.
- △ • Temperature Range : -40 °C ~ +105 °C
- Contact Resistance : 20mΩ max.

■ WAFER

- Part No. : JS-3029V-XXX^①
- Poles : 2 - 24 (Straight ; With Mount Clips)
- △ ① DIP Length : blank : 3.2mm
D : 2.0mm
- △ • Material : 1.Contact : Brass , Tin Plated
2.Base : High Temp. LCP
3.Clip:Brass , Tin Plated
- Q' ty : 300 pcs./Reel



喬訊電子工業股份有限公司
CHYAO SHIUNN
ELECTRONIC INDUSTRIAL LTD.

PART NO JS-3029V-XXX

3.00mm SMT Double-Row Wire to Board Power Connector Series.

APPROVED BY	SCALE	UNIT	TOLERANCE	LTR	REVISION RECORD	NAME	DATE	LTR	REVISION RECORD	NAME	DATE
Tom Shih		mm	.0 ±0.30	△	200606-004	林文彬	06/06/21	△			
CHECKED BY	PROJ	VER NO.	.00 ±0.20	△	200811-013	黃科源	08/11/20	△			
Erin Chou		a7	.000 ±0.10	△	200907-001	黃科源	09/07/01	△			
DRAWN BY	DATE	SIZE	ANGLE	△	客戶需求圖面上均環境溫度變更-40℃ to +105℃				CUSTOMER		
Eddie	2018/12/28	A4	0° ±1°	△	尺寸表修正		吳弘文	2013/02/20			
			.0° ±	△	依ECR-00000160修改產品敘述		李柏昇	2016/08/02			
			SHEET 1/1	△	新增DIP Length選項		Eddie	2018/12/28			Conforms to The RoHS Instruction