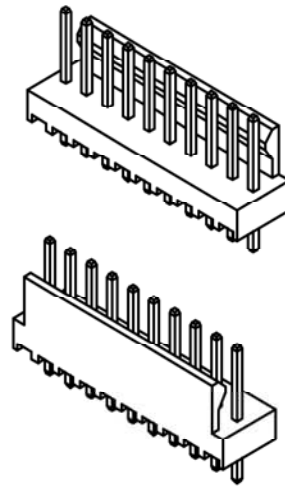
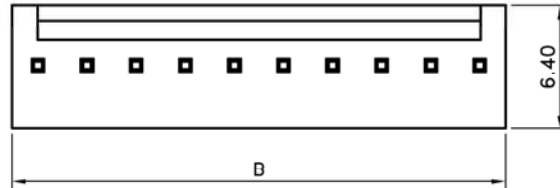
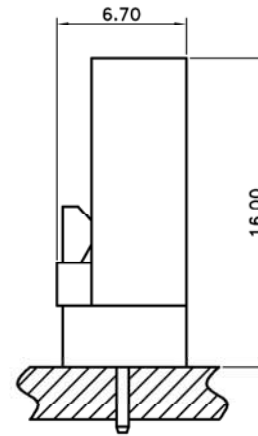


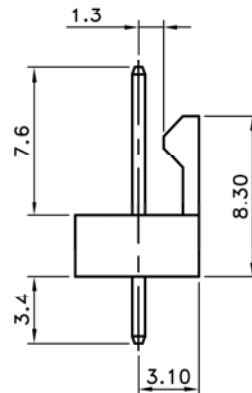
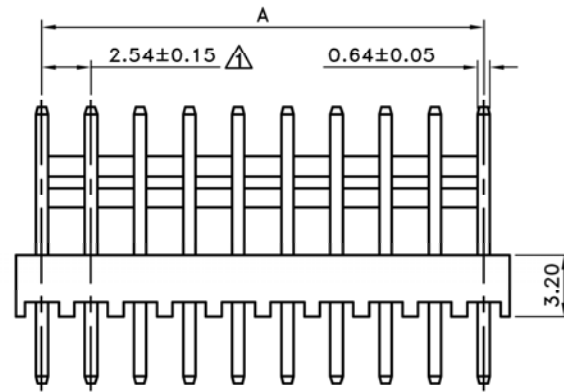
RECOMMENDED PCB LAYOUT



3D VIEW



ASSEMBLY VIEW



Poles	Dimension(mm)		Poles	Dimension(mm)	
	A	B		A	B
02	2.54±0.15	5.10±0.20	12	27.94±0.30	30.64±0.35
03	5.08±0.15	7.68±0.20	13	30.48±0.30	33.20±0.35
04	7.62±0.15	10.24±0.20	14	33.02±0.30	35.74±0.35
05	10.16±0.15	12.78±0.20	15	35.56±0.30	38.30±0.35
06	12.70±0.20	15.24±0.25	16	38.10±0.30	40.84±0.35
07	15.24±0.20	17.88±0.25	17	40.64±0.30	43.40±0.35
08	17.78±0.20	20.44±0.25	18	43.18±0.30	45.94±0.35
09	20.32±0.30	23.00±0.35	19	45.72±0.30	48.50±0.35
10	22.86±0.30	25.54±0.35	20	48.26±0.30	51.05±0.35
11	25.40±0.30	28.10±0.35			

■ SPECIFICATIONS

- Current Rating : 3A AC/DC
- Withstanding Voltage : 1,000V AC/minute
- Insulation Resistance : 1,000M  $\Omega$  min
- Temperature Range : - 25 $^{\circ}$ C to + 85 $^{\circ}$ C
- Contact Resistance : 20m  $\Omega$  max

■ WAFER  $\triangle$

- Part No. : JS-6254-XX X (X)  
① ② ③
- Poles
  - ① Poles : 02~20
  - ② Base color  
Blank : Natural  
W : White
  - ③ Plated  
Blank : Tin Plated  
G : Gold Plated
- Material :
  1. Contact : Brass
  2. Base : Nylon 66 UL94V-0

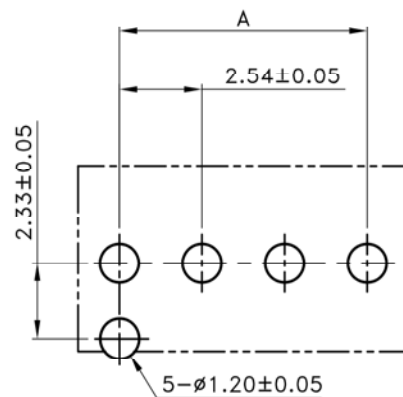
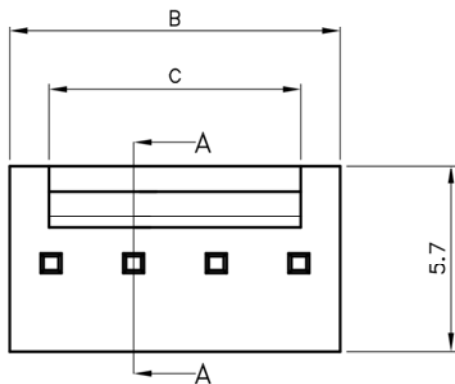


喬訊電子工業股份有限公司  
 CHYAO SHIUNN  
 ELECTRONIC INDUSTRIAL LTD.

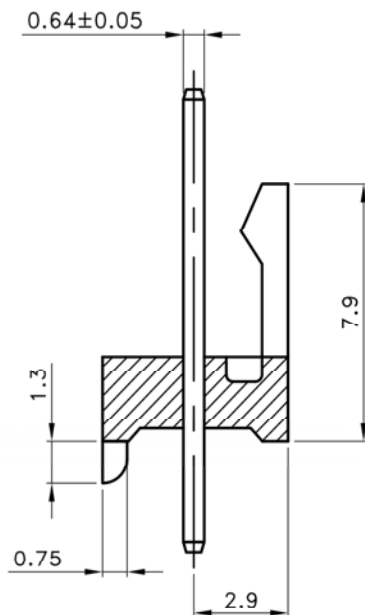
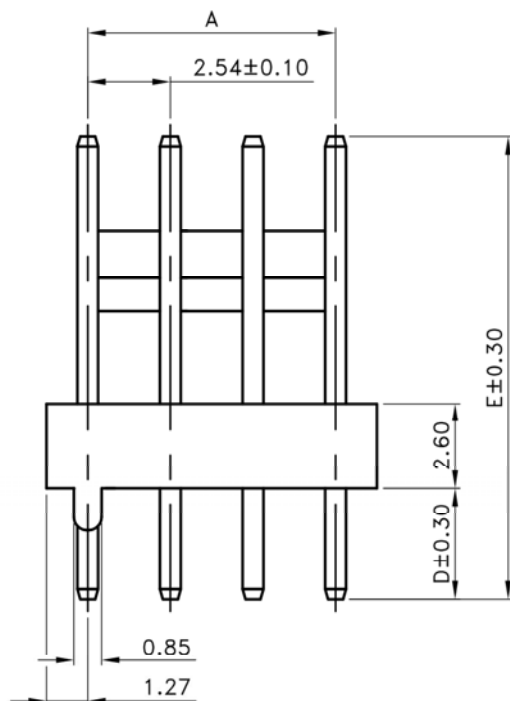
PART NO JS-6254-XXX(X)

2.54mm WIRE TO BOARD CONNECTOR

APPROVED BY	SCALE	UNIT	TOLERANCE	LTR	REVISION RECORD	NAME	DATE	LTR	REVISION RECORD	NAME	DATE
張育瑞		mm	.0 ±0.30	$\triangle$	尺寸公差修正	洪玉山	2005/03/06	$\triangle$			
CHECKED BY	PROJ	VER NO.	.00 ±0.20	$\triangle$	變更原因遺失	---	---	$\triangle$			
黃科源	$\oplus$ $\square$	a7	.000 ±0.10	$\triangle$	修改建議孔徑尺寸	劉蓮花	2007/07/05	$\triangle$			
DRAWN BY	DATE	SIZE	ANGLE	$\triangle$	修正圖面尺寸	黃科源	2008/11/20		CUSTOMER		
王誠賢	2012/02/24	A4	0 $^{\circ}$ ±1 $^{\circ}$	$\triangle$	材料與料號一併變更	黃科源	2009/08/17				
			0 $^{\circ}$ ±	$\triangle$	料號變更	黃科源	2009/12/25		Conforms to The RoHS Instruction		
			SHEET 1/1	$\triangle$	新增產品P數; 合併圖面	王誠賢	2012/02/24				



Recommant PCB Layout



Section A-A

Poles	Dimension(mm)		
	A	B	C
03	5.08	7.62	5.10
04	7.62	10.16	7.74

■ SPECIFICATIONS

- Current Rating : 3A AC/DC
- Withstanding Voltage : 1,000V AC/minute
- Insulation Resistance : 1,000MΩ min
- Temperature Range : - 25°C to + 85°C
- Contact Resistance : 20mΩ max.

■ WAFER

- Part No. : JS-6255-XXX(XXXX)-XXXX  
① ② ③ ④ ⑤ ⑥

Ordering Code

- ① Poles No. : 03, 04
- ② Plated  
Blank : Sn>120μ" ; Ni>30μ"  
5 : Sn>100μ" ; Ni>50μ"

③ DIP Length

Code	Dimension(mm)	
	D	E
Blank	3.4	14.2
S	3.2	13.2
S1	3.0	12.9
S2	2.9	12.6
S3	3.5	13.5

④ Base Mateial :

- Blank : Nylon 66 UL94V-0
- GF : Nylon66 + 15% Glass Fiber UL94V-0

⑤ Halogen

- Blank : W/ Halogen
- NH : No Halogen

⑥ Color

- Blank : Nature
- R : Red
- R2 : Red(188C)

• Material :

- 1. Contact : Brass, Tin Plated
- 2. Base : Refer the above options

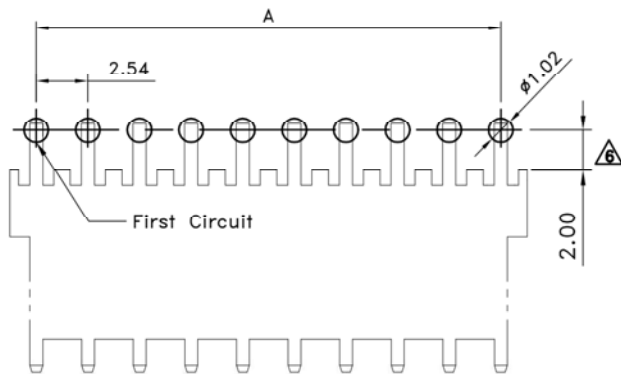


喬訊電子工業股份有限公司  
CHYAO SHIUNN  
ELECTRONIC INDUSTRIAL LTD.

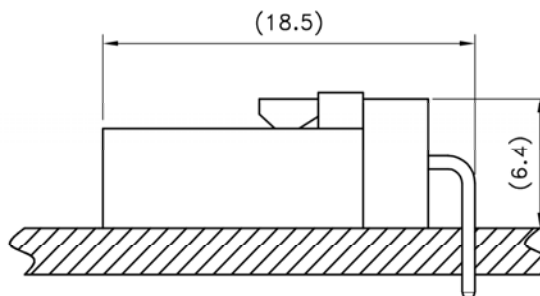
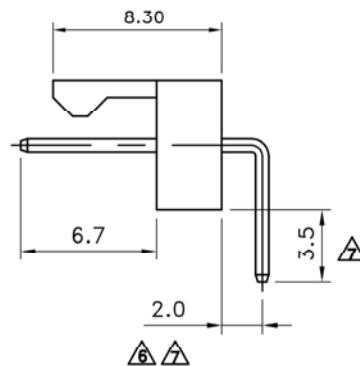
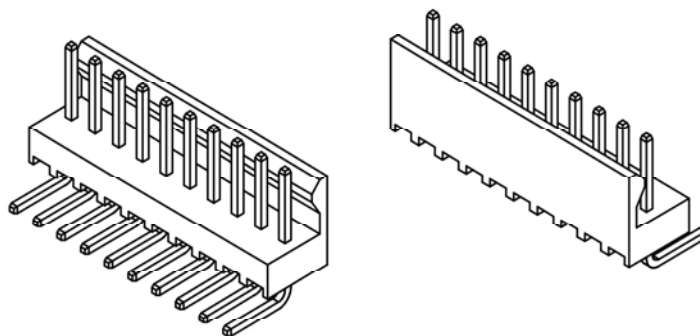
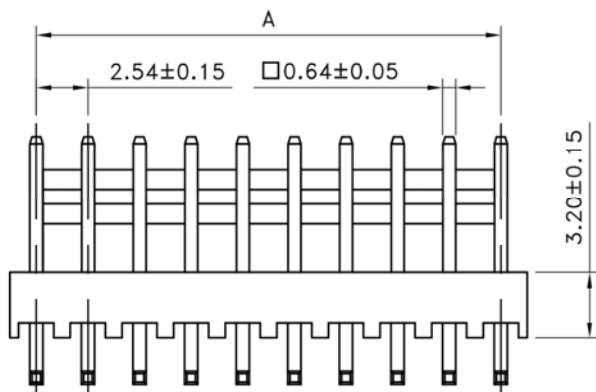
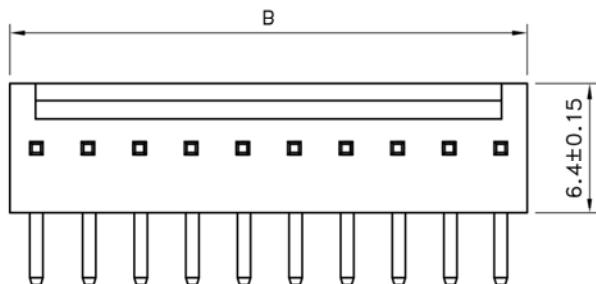
PART NO JS-6255-XXX(XXXX)XXXX

2.54mm WIRE TO BOARD CONN, STRAIGHT & DIP TYPE

APPROVED BY	SCALE	UNIT	TOLERANCE	LTR	REVISION RECORD	NAME	DATE	LTR	REVISION RECORD	NAME	DATE
張育瑞		mm	.0 ±0.30	△	變更原因遺失	余秀麗	2005/05/15	△			
CHECKED BY	PROJ	VER NO.	.00 ±0.20	△	新增產品顏色	王誠賢	2012/01/10	△			
黃科源		a2	.000 ±0.10	△				△			
DRAWN BY	DATE	SIZE	ANGLE						CUSTOMER		
王誠賢	2012/01/10	A4	0° ±1°	△					Conforms to The RoHS Instruction		
			.0° ±	△							
			SHEET	1/1	△						



Recommended PCB Layout(Top View)  
General tolerance  $\pm 0.05$



Assembly Layout (REF.)

■ SPECIFICATIONS

- Voltage Rating : 125 V AC/DC
- Current Rating : 3A AC/DC
- Withstanding Voltage : 1,000V AC/minute
- Insulation Resistance : 1,000M $\Omega$  min
- Temperature Range : - 25°C to + 85°C
- Contact Resistance : 20m $\Omega$  max

■ WAFER

• Part No. : JS-7254-XX(L)X

① ②

① Poles : 2 - 12(Left Angle)

② Color:

Blank: Brick Red

W: White

- Material : Contact : Brass, Tin Plated  
Base : Nylon 66 UL94V-0 ;

- Pack : Bag

Poles	Dimensions(mm)	
	A	B
2	2.54 $\pm 0.15$	5.10 $\pm 0.15$
3	5.08 $\pm 0.15$	7.68 $\pm 0.15$
4	7.62 $\pm 0.15$	10.24 $\pm 0.15$
5	10.16 $\pm 0.15$	12.78 $\pm 0.15$
6	12.70 $\pm 0.20$	15.24 $\pm 0.25$
7	15.24 $\pm 0.20$	17.88 $\pm 0.25$
8	17.78 $\pm 0.20$	20.44 $\pm 0.25$
9	20.32 $\pm 0.30$	23.00 $\pm 0.35$
10	22.86 $\pm 0.30$	25.54 $\pm 0.35$
11	25.40 $\pm 0.30$	28.10 $\pm 0.35$
12	27.94 $\pm 0.30$	30.64 $\pm 0.35$

Halogen Free



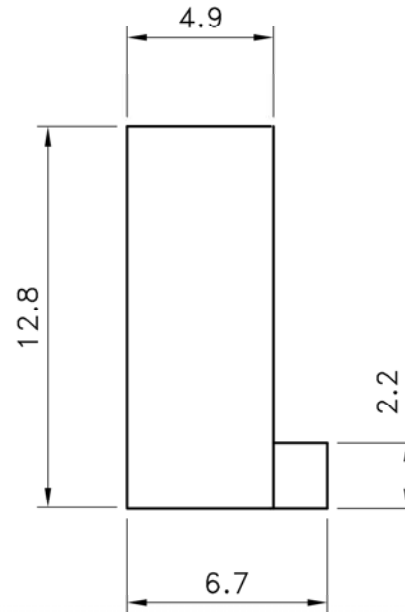
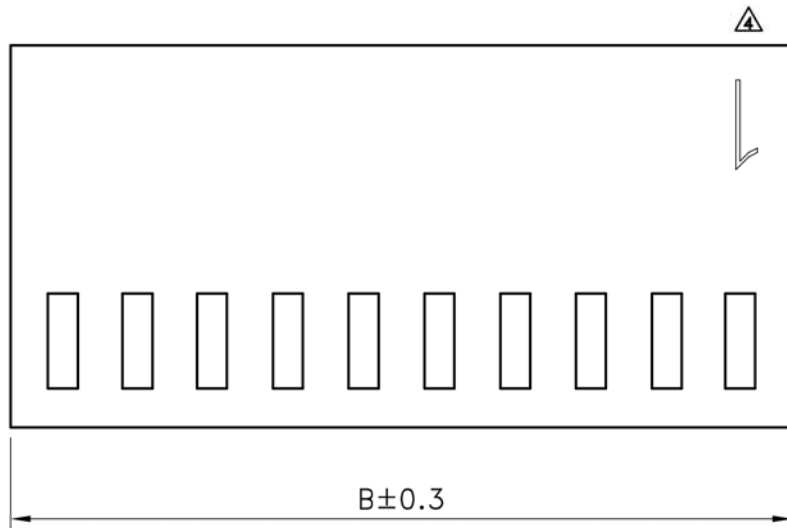
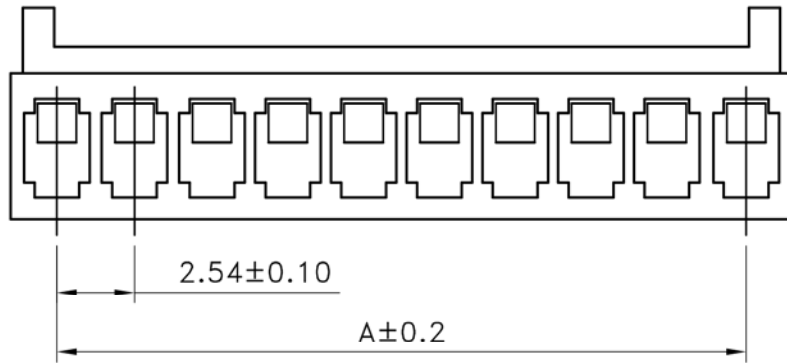
喬訊電子工業股份有限公司

CHYAO SHIUNN  
ELECTRONIC INDUSTRIAL LTD.

PART NO JS-7254-XX(L)X

2.54mm Crimp Style Connectors Wafer

APPROVED BY	SCALE	UNIT	TOLERANCE	LTR	REVISION RECORD	NAME	DATE	LTR	REVISION RECORD	NAME	DATE
Tom Shih		mm	.0 $\pm 0.30$	$\Delta$	ECR RoHS Compliant		06/04/01	$\Delta$			
CHECKED BY	PROJ	VER NO.	.00 $\pm 0.20$	$\Delta$	ECR 200701-001		07/01/04	$\Delta$			
Erin Chou	$\oplus$	a7	.000 $\pm 0.10$	$\Delta$	ECR 200811-018		08/11/20	$\Delta$			
DRAWN BY	DATE	SIZE	ANGLE	$\Delta$	ECR 200908-006		09/08/17		CUSTOMER		
Eddie	2019/10/02	A4	0° $\pm 1^\circ$	$\Delta$	ECR 200912-004		09/12/22				
			.0° $\pm$	$\Delta$	修改尺寸標注	黃廣珍	13/10/22				
			SHEET 1/1	$\Delta$	修改尺寸標注	Eddie	2019/10/02		Conforms to The RoHS Instruction		



■ SPECIFICATIONS

- Voltage Rating : 125 V AC/DC
- Current Rating : 3A AC/DC
- Withstanding Voltage : 1,000V AC/minute
- Insulation Resistance : 1,000MΩ min
- Temperature Range : - 25°C to + 85°C
- Contact Resistance : 20mΩ max

■ HOUSING

- Part No. : JS-8254-XX X

① ②

① Poles : 2 - 12

⚠ ② Base Color : Blank : Red  
W : White

- Material : Nylon 66 UL94V-0
- Q' ty : 1,000 pcs./Bag

Poles	Dimensions(mm)	
	A	B
2	2.54	5.65
3	5.08	8.19
4	7.62	10.73
5	10.16	13.27
6	12.70	15.81
7	15.24	18.35
8	17.78	20.89
9	20.32	23.43
10	22.86	25.97
11	25.40	28.51
12	27.94	31.05

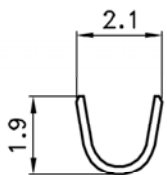
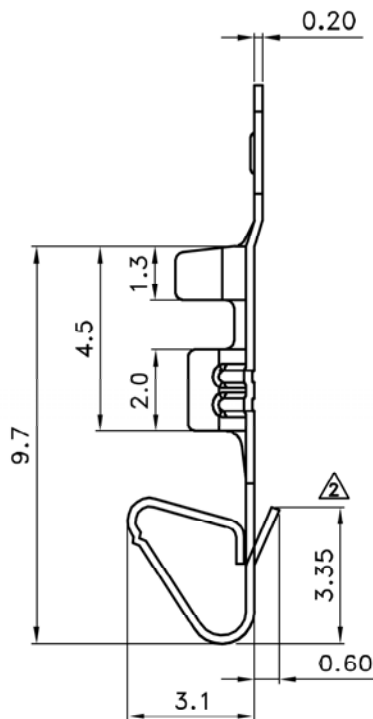
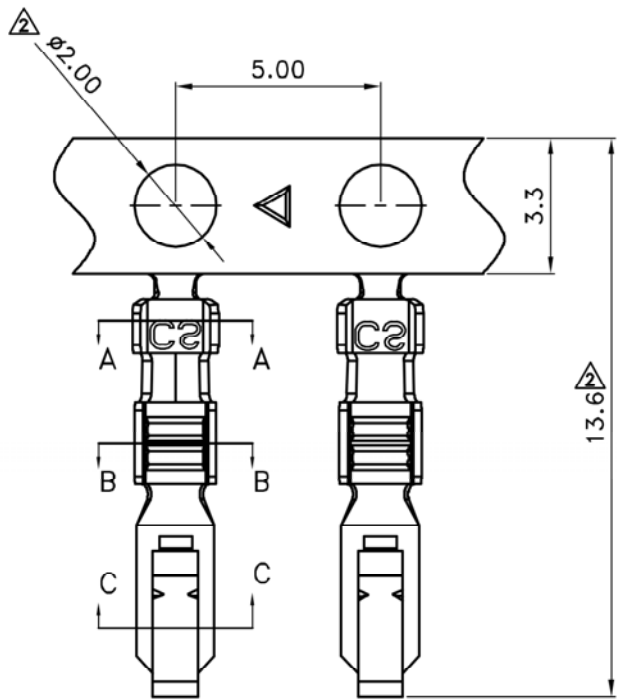


喬訊電子工業股份有限公司  
CHYAO SHIUNN  
ELECTRONIC INDUSTRIAL LTD.

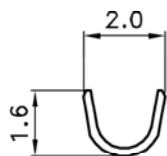
APPROVED BY	SCALE	UNIT	TOLERANCE	LTR	REVISION RECORD	NAME	DATE	LTR	REVISION RECORD	NAME	DATE
Tom Shih		mm	.0 ±0.30	⚠	RoHS compliant	XXX	2006/04/01	⚠			
CHECKED BY	PROJ	VER NO.	.00 ±0.20	⚠	ECR200811-013	黃科源	2008/11/20	⚠			
Tom Shih		a5	.000 ±0.10	⚠	加註顏色料號說明	吳弘文	2013/06/20	⚠			
DRAWN BY	DATE	SIZE	ANGLE		修正 first pin記號	吳弘文	2016/01/08	CUSTOMER			
Erin Chou	2021/02/09	A4	0° ±1°	⚠	Edit 5pin Dim. A	Erin	2021/02/09				
			0° ±	⚠				Conforms to The RoHS Instruction			
			SHEET	1/1	⚠						

PART NO JS-8254-XXX

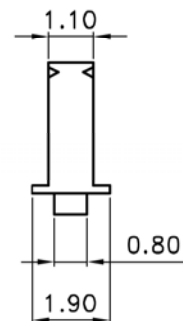
2.54mm Crimp Style Connectors Housing



A-A SEC



B-B SEC



C-C SEC

■ SPECIFICATIONS

- Current Rating : 3A AC/DC
- Withstanding Voltage : 1000V AC/minute
- Insulation Resistance : 1000M Ω min
- Temperature Range : - 25°C to + 85°C
- Contact Resistance : 20m Ω max

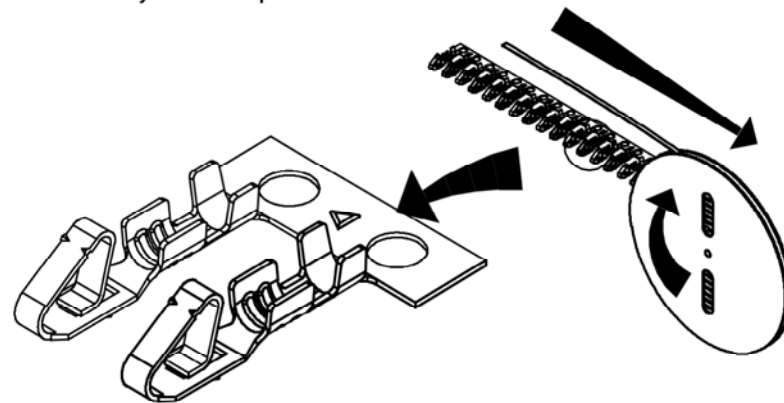
▲ ■ TERMINAL

• Part No. : JS-8001-TXX(XX)

Code No: ① ②

- ① T : Standard Process, Brass  
TP : Stamping before Plated, Brass  
PBT : Standard Process, Phosphor Bronze
- ▲ PBTP : Stamping before Plated, Phosphor Bronze
- ② Plated : Blank : Tin Plated(80u" Tin-Lead Plating.  
15u"Min Nickel Under Plating.)
- ▲ G : Gold Flash  
G1 : 1. Gold 30u"(Phosphor Bronze)  
2. Selec Gold(Brass)  
G2 : Gold 10u"(Brass)  
G6 : Gold 5u"(Brass)

- Applicable Wires : AWG # 22 - 28
- Material : Refer the above narrative
- Thickness : 0.2 mm
- Q' ty : 10000 pcs./Reel



喬訊電子工業股份有限公司  
CHYAO SHIUNN  
ELECTRONIC INDUSTRIAL LTD.

APPROVED BY	SCALE	UNIT	TOLERANCE	LTR	REVISION RECORD	NAME	DATE	LTR	REVISION RECORD	NAME	DATE
Tom Shih		mm	.0 ±0.30	▲				▲			
CHECKED BY	PROJ	VER NO.	.00 ±0.20	▲	11/04/06	賈怡暉	11/04/06	▲			
Erin Chou		a4	.000 ±0.10	▲	17/09/04	Tom Lee	17/09/04	▲			
DRAWN BY	DATE	SIZE	ANGLE	▲	17/12/15	Tom Lee	17/12/15	▲			
Tom Lee	2017/12/15	A4	0° ±1°	▲				▲			
			.0° ±	▲				▲			
			SHEET 1/1	▲				▲			

PART NO JS-8001-TXX(XX)

2.54mm Crimp Style Connectors Terminal

CUSTOMER

Conforms to The RoHS Instruction