

■ SPECIFICATIONS

- Current Rating : 3A AC/DC
- Withstanding Voltage : 1000V AC/minute
- Insulation Resistance : 1000M Ω min
- Temperature Range : - 25°C to + 85°C
- Contact Resistance : 20m Ω max

■ WAFER

- Part No. : JS-6001-XX X ( XX XX XX XX)XX ▲
- Product Code ① ② ③ ④ ⑤ ⑥ ⑦
- ① Poles NO:02~15
- ② Structure ▲  
S : Holding Type  
Blank : Normal Type(Standard)
- ③ Base Mateial: ▲  
Blank: Nylon66 UL94V-2 ▲  
(Natural color:Beige) ▲  
V0:Nylon66 UL94V-0 ▲  
(For 2P~8P)  
(Natural color:Milk white)  
GW:Nylon66 UL94V-0(Glow Wire) ▲  
(For 2P~8P) ▲
- ④ Plated :  
Blank : Tin Plated  
G : Glod Plated  
G1 : Glod 1μ"  
G2 : Glod Plated 30μ"  
▲ NM : Matte-Tin Plated
- ⑤ PIN Length: ▲  
S1:L:15.0 mm Dip:4.0mm  
S2:L:13.2mm Dip:2.5mm  
S:L:18mm Dip:7.4mm
- ⑥ COLOR:  
Blank:Nature  
BK:BLACK  
BU:BLUE
- ⑦ DIP LENGTH: ▲  
D2: L:14.2 DIP: 2.5mm  
D1: L:14.2 DIP: 3.4mm  
D : L:14.2 DIP: 2.9mm  
BLANK: L:14.2 DIP: 3.3mm
- Material : Contact : Brass, Tin Plated  
Base : Nylon 66 UL94V-2
- Q' ty : 1000 pcs./Bag

⑤&⑦	L	Dip Length
Blank	14.2mm	3.3mm
D	14.2mm	2.9mm
D1	14.2mm	3.4mm
D2	14.2mm	2.5mm
S1	15.0mm	4.0mm
S2	13.2mm	2.5mm
S	18mm	7.4mm

Poles	Dimensions(mm)		Poles	Dimensions(mm)	
	A	B		A	B
2	2.54	5.08	11	25.40	27.94
3	5.08	7.62	12	27.94	30.48
4	7.62	10.16	13	30.48	33.02
5	10.16	12.70	14	33.02	35.56
6	12.70	15.24	15	35.56	38.10
7	15.24	17.78	16	38.10	40.64
8	17.78	20.32	17	40.64	43.18
9	20.32	22.86	18	43.18	45.72
10	22.86	25.40	19	45.72	48.26

喬訊電子工業股份有限公司  
CHYAO SHIUNN  
ELECTRONIC INDUSTRIAL LTD.

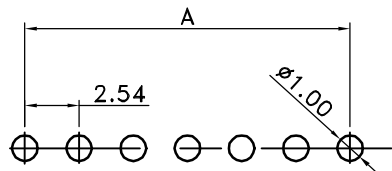
PART NO JS-6001-XX  
2.54mm Crimp Style Connectors Wafer

APPROVED BY Tom Shih  
CHECKED BY Erin Chou  
DRAWN BY Eddie  
SCALE 1:1  
UNIT mm  
PROJ  
VER NO.  
a14  
DATE 2018/11/06  
SIZE A4

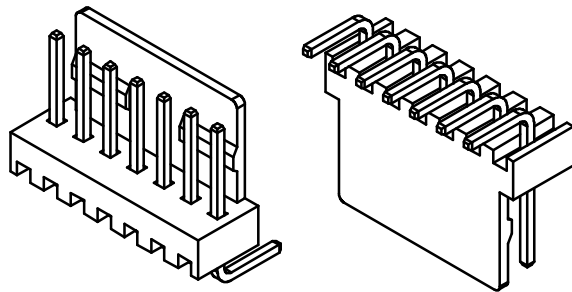
TOLERANCE .0 ±0.30  
.00 ±0.20  
.000 ±0.10  
ANGLE 0° ±1°  
.0° ±  
SHEET 1/1

LTR  
REVISION RECORD  
NAME  
DATE  
LTR  
REVISION RECORD  
NAME  
DATE

CUSTOMER  
Conforms to The RoHS Instruction



Recommant PCB Layout  
General Tolerance  $\pm 0.05$



Poles	Dim(mm)		Poles	Dim(mm)	
	A	B		A	B
2	2.54	5.08	11	25.40	27.94
3	5.08	7.62	12	27.94	30.48
4	7.62	10.16	13	30.48	33.02
5	10.16	12.70	14	33.02	35.56
6	12.70	15.24	15	35.56	38.10
7	15.24	17.78	16	38.10	40.64
8	17.78	20.32	17	40.64	43.18
9	20.32	22.86	18	43.18	45.72
10	22.86	25.40	19	45.72	48.26

■ SPECIFICATIONS

- Current Rating : 3A AC/DC
- Withstanding Voltage : 1000V AC/minute
- Insulation Resistance : 1000M $\Omega$  min
- Temperature Range : - 25 $^{\circ}$ C to + 85 $^{\circ}$ C
- Contact Resistance : 20m $\Omega$  max

■ WAFER

- Part No. : JS-7001-XX X XX XX X X  
① ② ③ ④ ⑤ ⑥

- ① Poles:2-19
- ② Structure:  $\Delta$   
S : Holding Type  
Blank : Normal Type(Standard)

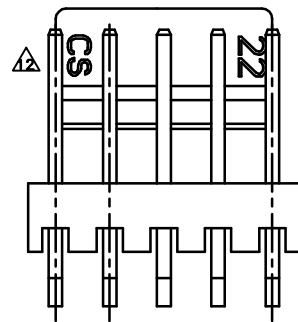
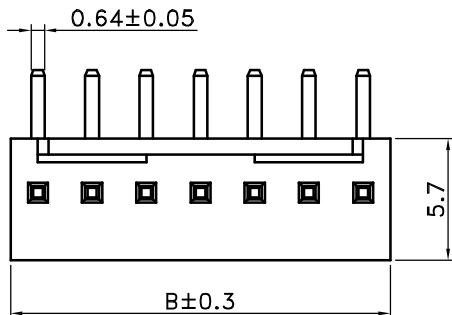
- ③ Plated:  
Blank: Tin Plated  $\Delta$   
G: Gold Plated  
G1: Gold Plated(1"u")

- ④ Pin Angle  
Blank: Right Angle(OD=7.2)  
L: Left Angle (OD=6.7)  
L1: Right Angle(OD=7.6)  $\Delta$   
L2: Left Angle(OD=6.6)  $\Delta$   
L3: Right Angle(OD=7.2)  $\Delta$

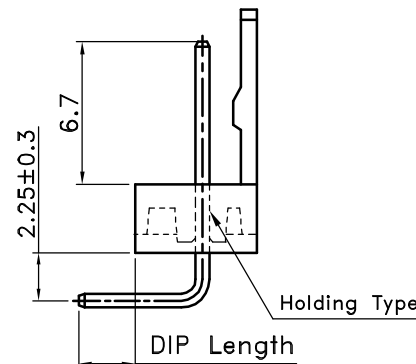
- ⑤ DIP Length  
Blank : 3.2mm  
D : 3.7MM  
D1 : 4.1mm  $\Delta$   
D2 : 3.4mm  $\Delta$

- ⑥ Base Material:  
Blank : Nylon 66 UL94V-2  
V0: Nylon 66 UL94V-0

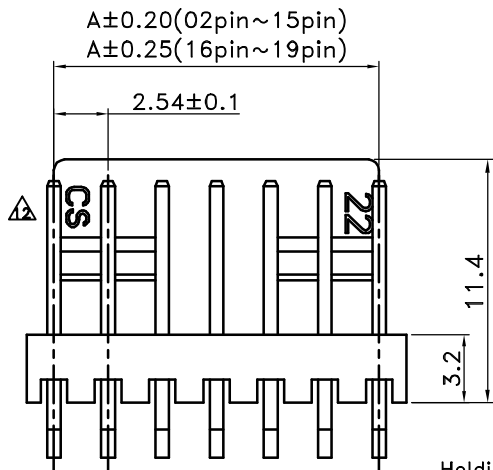
- Contact : Brass, Tin Plated, Gold Plated
- Package : Bag  $\Delta$



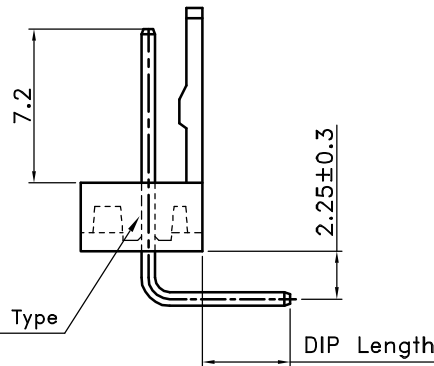
2~5 POLES



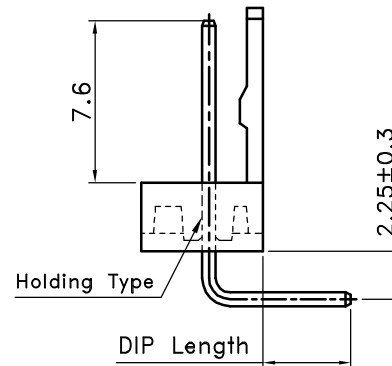
JS-7001-XX(L)



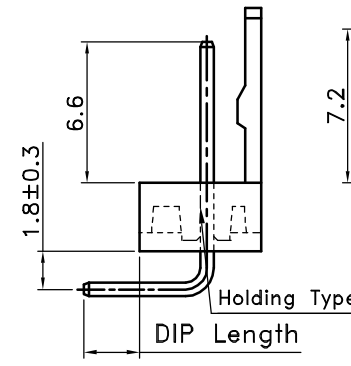
6~19 POLES



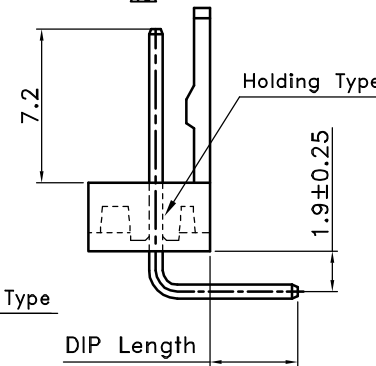
JS-7001-XX



JS-7001-XX(L1)  $\Delta$



JS-7001-XX(L2)  $\Delta$



JS-7001-XX(L3)  $\Delta$

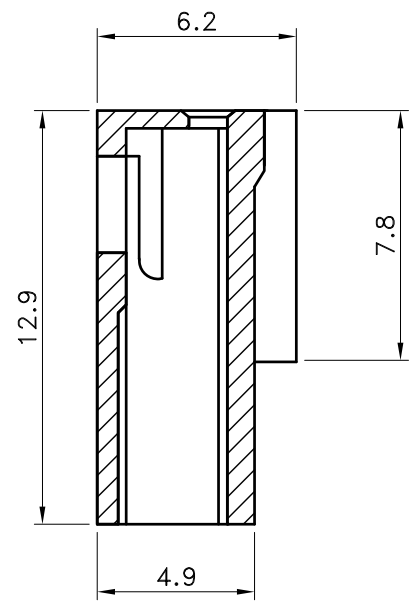
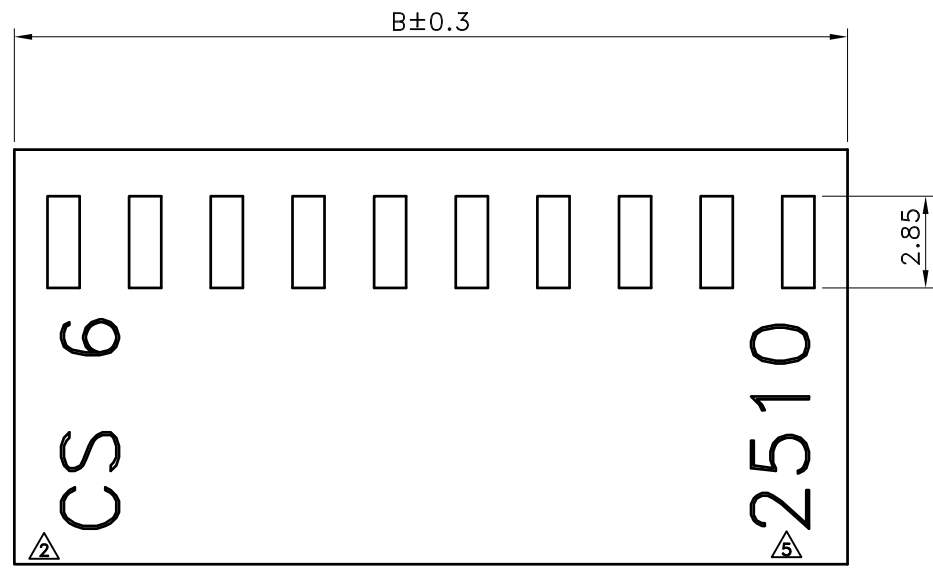
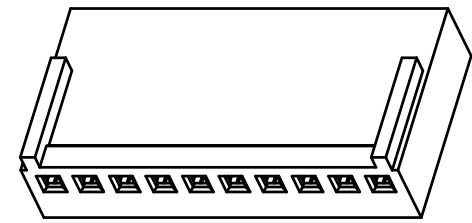
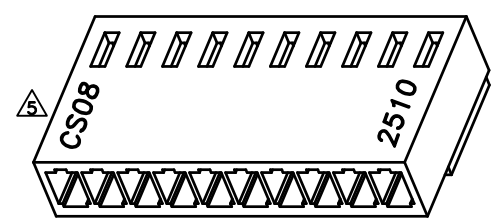
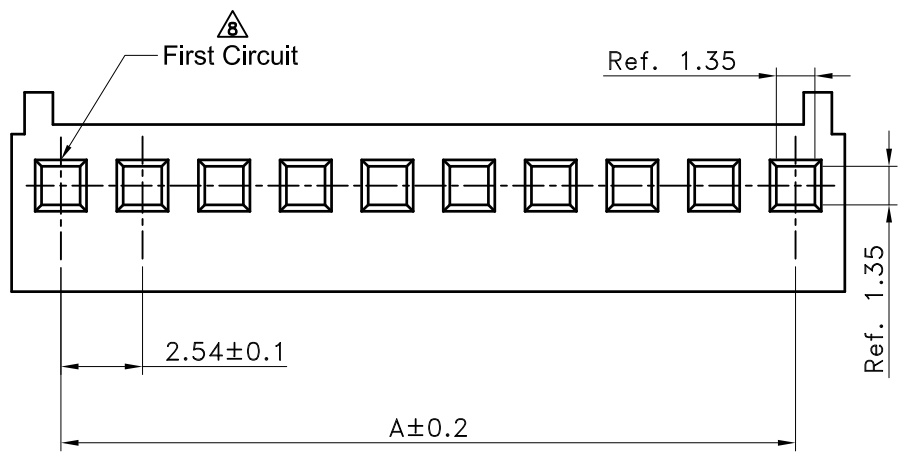


喬訊電子工業股份有限公司  
CHYAO SHIUNN  
ELECTRONIC INDUSTRIAL LTD.

APPROVED BY	SCALE	UNIT	TOLERANCE	LTR	REVISION RECORD	NAME	DATE	LTR	REVISION RECORD	NAME	DATE
Tom Shih		mm	.0 $\pm 0.3$	$\Delta$	全拼圖面	林謙豪	2/02/07	$\Delta$	完善鍍錫說明	曾慶根	20/05/13
CHECKED BY	PROJ	VER NO.	.00 $\pm 0.2$	$\Delta$	增加DIP尺寸	黃廣珍	2/08/07	$\Delta$	新增L3規格	劉娜	20/09/22
Erin Chou		a12	.000 $\pm 0.1$	$\Delta$	在表格中增加16-19pinA, B尺寸	鄭小嬌	14/4/21	$\Delta$	增加CS MARK	Eddie	22/09/21
DRAWN BY	DATE	SIZE	ANGLE		增加打內K料號, 膠殼做掬料	吳小平	16/04/08	CUSTOMER			
Eddie	2022/09/21	A4	0 $^{\circ}$	$\pm 1^{\circ}$	增加JS-7001-XX(L1)側視圖	藍美娜	16/09/14				
			.0 $^{\circ}$	$\pm$	增加材料V0選項	劉娜	18/03/01				
SHEET			1/1	$\Delta$	新增L2&D2規格	周家慶	18/05/07	Conforms to The RoHS Instruction			

PART NO JS-7001-XXXXXXXXXX

2.54mm Crimp Style Connectors Wafer



**■ SPECIFICATIONS**

- Current Rating : 3A AC/DC
- Withstanding Voltage : 1000V AC/minute
- Insulation Resistance : 1000M Ω min
- Temperature Range : - 25℃ to + 85℃
- Contact Resistance : 20m Ω max

**■ HOUSING**

- Part No. : JS-8001-XX XX

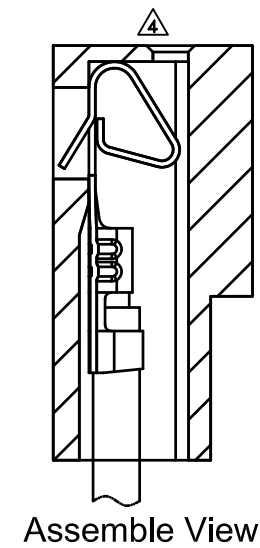
① ②

① Poles : 02 - 15

② Material :

- Blank : Nylon 66 UL94V-2(Natural Colour:Beige)
- GW : Nylon66 UL94V-0(Glow Wire)
- VO : Nylon 66 UL94V-0(Natural Colour:White)

- Q' ty : 1000 pcs./Bag



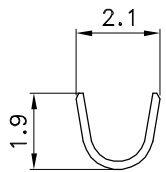
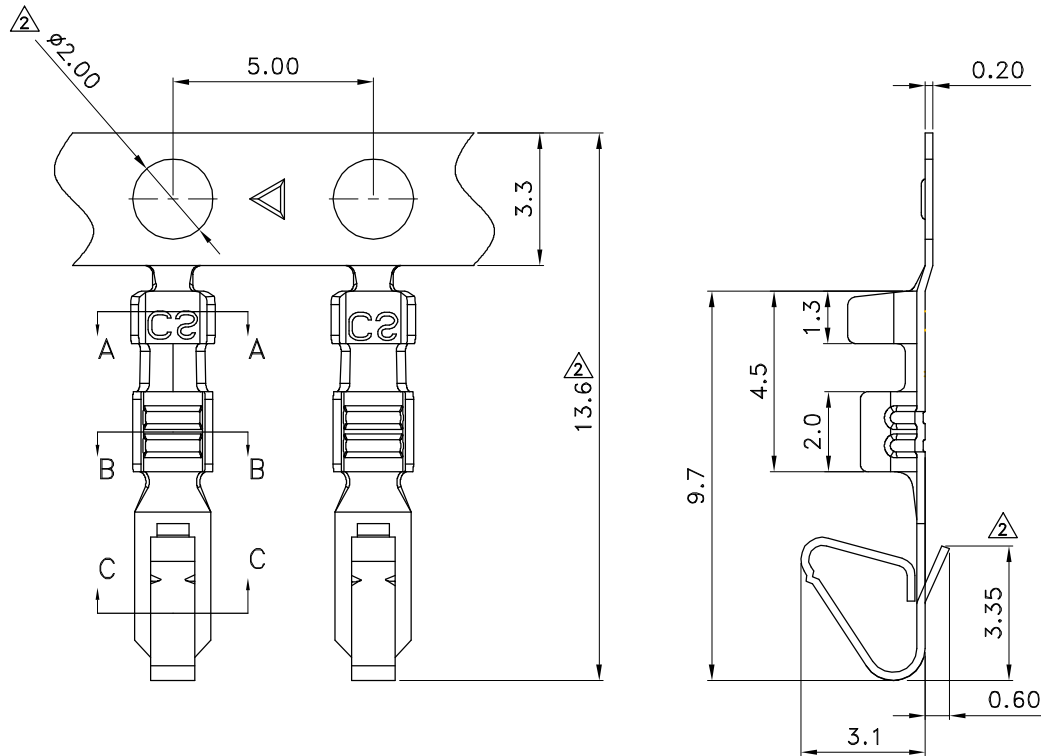
Assemble View

Poles	Dimensions(mm)	
	A	B
02	2.54	5.60
03	5.08	8.14
04	7.62	10.68
05	10.16	13.22
06	12.70	15.76
07	15.24	18.30
08	17.78	20.84
09	20.32	23.38
10	22.86	25.92
11	25.40	28.46
12	27.94	31.00
13	30.48	33.54
14	33.02	36.08
15	35.56	38.62

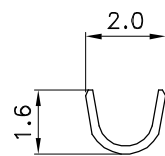
喬訊電子工業股份有限公司  
CHYAO SHIUNN  
ELECTRONIC INDUSTRIAL LTD.

APPROVED BY	SCALE	UNIT	TOLERANCE	LTR	REVISION RECORD	NAME	DATE	LTR	REVISION RECORD	NAME	DATE
張育瑞		mm	.0 ±0.30	△	變更原因遺失	余秀麗	05/05/15	△	修改First Circuit位置	Tom Lee	17/06/29
CHECKED BY	PROJ	VER NO.	.00 ±0.20	△	取消第一-PIN標示	簡海平	06/09/20	△	增加VO料選項, 并注明顏色	曾慶根	17/07/21
周家慶	⊕	a9	.000 ±0.10	△	增加First標示	黃科源	09/07/30	△			
DRAWN BY	DATE	SIZE	ANGLE		增加剖面圖	林謙豪	12/02/07	CUSTOMER			
曾慶根	2017/07/21	A4	0° ±1°	△	增加模號	林宛盈	13/10/08				
			0° ±	△	增加尺寸標示	吳弘文	15/02/06	Conforms to The RoHS Instruction			
			SHEET	1/1	新增GW材質選項	曾慶根	17/03/06				

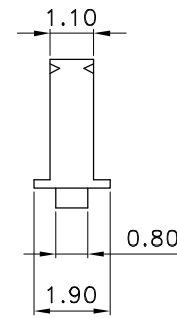
PART NO JS-8001-XX  
2.54mm Crimp Style Connectors Housing



A-A SEC



B-B SEC



C-C SEC

■ SPECIFICATIONS

- Current Rating : 3A AC/DC
- Withstanding Voltage : 1000V AC/minute
- Insulation Resistance : 1000M  $\Omega$  min
- Temperature Range : - 25 $^{\circ}$ C to + 85 $^{\circ}$ C
- Contact Resistance : 20m $\Omega$  max

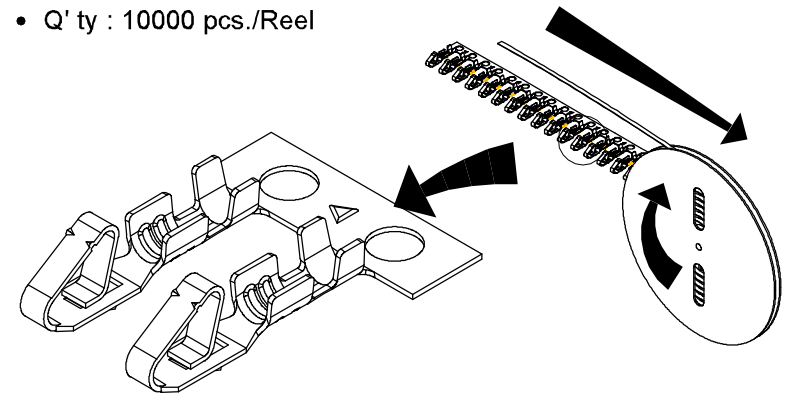
▲ ■ TERMINAL


• Part No. : JS-8001-TXX(XX)

Code No: ① ②

- ① T : Standard Process, Brass  
TP : Stamping before Plated, Brass  
PBT : Standard Process, Phosphor Bronze
- ▲ ③ PBTP : Stamping before Plated, Phosphor Bronze
- ② Plated : Blank : Tin Plated(80u" Tin-Lead Plating.  
15u"Min Nickel Under Plating.)
- ▲ G : Gold Flash  
G1 : 1. Gold 30u"(Phosphor Bronze)  
2. Selec Gold(Brass)  
G2 : Gold 10u"(Brass)
- ▲ G4 : 15u" min. Au over 50u" min. Nickel(Brass)  
G6 : Gold 5u"(Brass)

- Applicable Wires : AWG # 22 - 28
- Material : Refer the above narrative
- Thickness : 0.2 mm
- Q' ty : 10000 pcs./Reel



 喬訊電子工業股份有限公司 CHYAO SHIUNN ELECTRONIC INDUSTRIAL LTD.	APPROVED BY	SCALE	UNIT	TOLERANCE	LTR	REVISION RECORD	NAME	DATE	LTR	REVISION RECORD	NAME	DATE
	Tom Shih		mm	.0 ±0.30	▲				▲			
PART NO JS-8001-TXX(XX) 2.54mm Crimp Style Connectors Terminal	CHECKED BY	PROJ	VER NO.	.00 ±0.20	▲	JS-8001-TXX(XX) 2.54mm Crimp Style Connectors Terminal	劉怡盛	11/04/06	▲			
	Erin Chou			.000 ±0.10	▲	物性表更新成球標選項式並新增端子PBTP規格	Tom Lee	17/09/04	▲			
	DRAWN BY	DATE	SIZE	ANGLE	▲	電鍍刷金選項刪除黃銅料限定改為通用	Tom Lee	17/12/15	▲			
	Eddie	2020/10/22	A4	0° ±1°	▲	新增電鍍規格	Eddie	20/10/22	▲			CUSTOMER
				.0° ±	▲				▲			Conforms to The RoHS Instruction
				SHEET 1/1	▲				▲			