

■ SPECIFICATIONS

- Current Rating : 3A AC/DC
- Withstanding Voltage : 1,000V AC/minute
- Insulation Resistance : 1,000MΩ min.
- Temperature Range : - 40°C to + 105°C
- Contact Resistance : 20mΩ max.

■ HOUSING

△ Part No. : JS-1105X-XXx2

① ②

① Plastic: Blank : Noryl
A: PBT

② Poles : 2x2~40x2

• Material : High Temp. Plastic

• Mating Wafer : JS-1106-XXx2

JS-1106-XXx2(6T)

JS-1107-XXx2

• Mating Terminal : JS-1105-T

△ Q' ty : 1,000 Pcs/Bag

| Poles | Dimensions (mm) | | Poles | Dimensions (mm) | |
|-------|-----------------|-------|-------|-----------------|--------|
| | A | B | | A | B |
| 2x2 | 2.54 | 5.08 | 22x2 | 53.34 | 55.88 |
| 3x2 | 5.08 | 7.62 | 23x2 | 55.88 | 58.42 |
| 4x2 | 7.62 | 10.16 | 24x2 | 58.42 | 60.96 |
| 5x2 | 10.16 | 12.70 | 25x2 | 60.96 | 63.50 |
| 6x2 | 12.70 | 15.24 | 26x2 | 63.50 | 66.04 |
| 7x2 | 15.24 | 17.78 | 27x2 | 66.04 | 68.58 |
| 8x2 | 17.78 | 20.32 | 28x2 | 68.58 | 71.12 |
| 9x2 | 20.32 | 22.86 | 29x2 | 71.12 | 73.66 |
| 10x2 | 22.86 | 25.40 | 30x2 | 73.66 | 76.20 |
| 11x2 | 25.40 | 27.94 | 31x2 | 76.20 | 78.74 |
| 12x2 | 27.94 | 30.48 | 32x2 | 78.74 | 81.28 |
| 13x2 | 30.48 | 33.02 | 33x2 | 81.28 | 83.82 |
| 14x2 | 33.02 | 35.56 | 34x2 | 83.82 | 86.36 |
| 15x2 | 35.56 | 38.10 | 35x2 | 86.36 | 88.90 |
| 16x2 | 38.10 | 40.64 | 36x2 | 88.90 | 91.44 |
| 17x2 | 40.64 | 43.18 | 37x2 | 91.44 | 93.98 |
| 18x2 | 43.18 | 45.72 | 38x2 | 93.98 | 96.52 |
| 19x2 | 45.72 | 48.26 | 39x2 | 96.52 | 99.06 |
| 20x2 | 48.26 | 50.80 | 40x2 | 99.06 | 101.60 |
| 21x2 | 50.80 | 53.34 | | | |



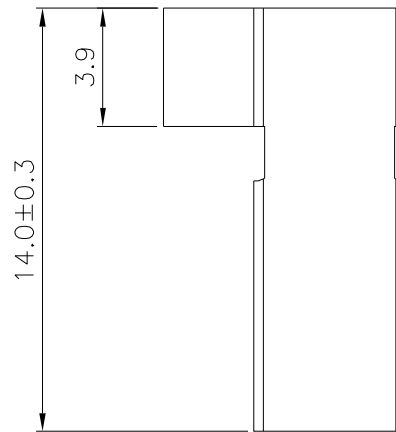
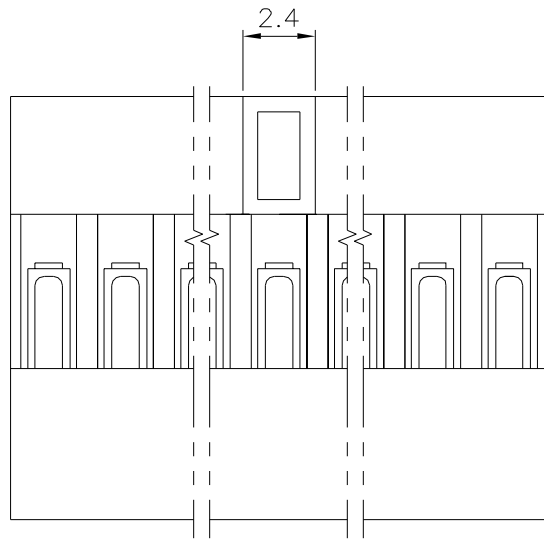
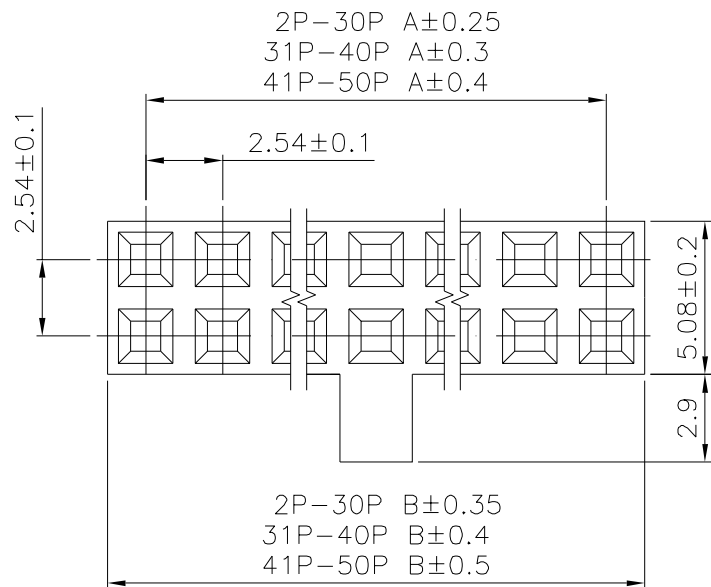
喬訊電子工業股份有限公司

CHYAO SHIUNN
ELECTRONIC INDUSTRIAL LTD.

| APPROVED BY | SCALE | UNIT | TOLERANCE | LTR | REVISION RECORD | NAME | DATE | LTR | REVISION RECORD | NAME | DATE |
|-------------|------------|---------|------------|-----|-----------------|------|------------|----------------------------------|-----------------|------|------|
| 張育瑞 | | mm | .0 ±0.30 | △ | 材質修改 | 余秀麗 | 2005/11/17 | △ | | | |
| CHECKED BY | PROJ | VER NO. | .00 ±0.20 | △ | 材質修改 | 陳文松 | 2006/03/29 | △ | | | |
| 周慈雲 | | a7 | .000 ±0.10 | △ | 材質修改 | 劉蓮花 | 2007/07/04 | △ | | | |
| DRAWN BY | DATE | SIZE | ANGLE | | △ | 黃科源 | 2008/06/04 | CUSTOMER | | | |
| 吳弘文 | 2016/05/03 | A4 | 0° ±1° | △ | 將缺角補齊 | 王誠賢 | 2010/05/19 | | | | |
| | | | .0° ± | △ | 料號修正並新增PBT塑膠材質 | 王誠賢 | 2010/07/21 | Conforms to The RoHS Instruction | | | |
| | | | SHEET 1/1 | △ | 更新圖框，尺寸表，包裝方式更正 | 吳弘文 | 2016/05/03 | | | | |

PART NO JS-1105X-XXx2

2.54mm Center Mini Latch Housing



| Poles | Part No. | Dimensions(mm) | | Poles | Part No. | Dimensions(mm) | |
|-------|---------------|----------------|-------|-------|---------------|----------------|--------|
| | | A | B | | | A | B |
| 4 | JS-1105B-02x2 | 2.54 | 5.08 | 44 | JS-1105B-22x2 | 53.34 | 55.88 |
| 6 | JS-1105B-03x2 | 5.08 | 7.62 | 46 | JS-1105B-23x2 | 55.88 | 58.42 |
| 8 | JS-1105B-04x2 | 7.62 | 10.12 | 48 | JS-1105B-24x2 | 58.42 | 60.96 |
| 10 | JS-1105B-05x2 | 10.12 | 12.70 | 50 | JS-1105B-25x2 | 60.96 | 63.50 |
| 12 | JS-1105B-06x2 | 12.70 | 15.24 | 52 | JS-1105B-26x2 | 63.50 | 66.04 |
| 14 | JS-1105B-07x2 | 15.24 | 17.78 | 54 | JS-1105B-27x2 | 66.04 | 68.58 |
| 16 | JS-1105B-08x2 | 17.78 | 20.32 | 56 | JS-1105B-28x2 | 68.58 | 71.12 |
| 18 | JS-1105B-09x2 | 20.32 | 22.86 | 58 | JS-1105B-29x2 | 71.12 | 73.66 |
| 20 | JS-1105B-10x2 | 22.86 | 25.40 | 60 | JS-1105B-30x2 | 73.66 | 76.20 |
| 22 | JS-1105B-11x2 | 25.40 | 27.94 | 62 | JS-1105B-31x2 | 76.20 | 78.74 |
| 24 | JS-1105B-12x2 | 27.94 | 30.48 | 64 | JS-1105B-32x2 | 78.74 | 81.20 |
| 26 | JS-1105B-13x2 | 30.48 | 33.02 | 66 | JS-1105B-33x2 | 81.20 | 83.82 |
| 28 | JS-1105B-14x2 | 33.02 | 35.56 | 68 | JS-1105B-34x2 | 83.82 | 86.36 |
| 30 | JS-1105B-15x2 | 35.56 | 38.10 | 70 | JS-1105B-35x2 | 86.36 | 88.90 |
| 32 | JS-1105B-16x2 | 38.10 | 40.64 | 72 | JS-1105B-36x2 | 88.90 | 91.44 |
| 34 | JS-1105B-17x2 | 40.64 | 43.18 | 74 | JS-1105B-37x2 | 91.44 | 93.98 |
| 36 | JS-1105B-18x2 | 43.18 | 45.72 | 76 | JS-1105B-38x2 | 93.98 | 96.52 |
| 38 | JS-1105B-19x2 | 45.72 | 48.26 | 78 | JS-1105B-39x2 | 96.52 | 99.06 |
| 40 | JS-1105B-20x2 | 48.26 | 50.80 | 80 | JS-1105B-40x2 | 99.06 | 101.60 |
| 42 | JS-1105B-21x2 | 50.80 | 53.34 | | | | |

■ SPECIFICATIONS

- Voltage Rating : 250 V AC/DC
- Current Rating : 3A AC/DC
- Withstanding Voltage : 1000V AC/minute
- Insulation Resistance : 1000M Ω min
- Temperature Range : - 40°C to + 105°C
- Contact Resistance : 20m Ω max

■ HOUSING

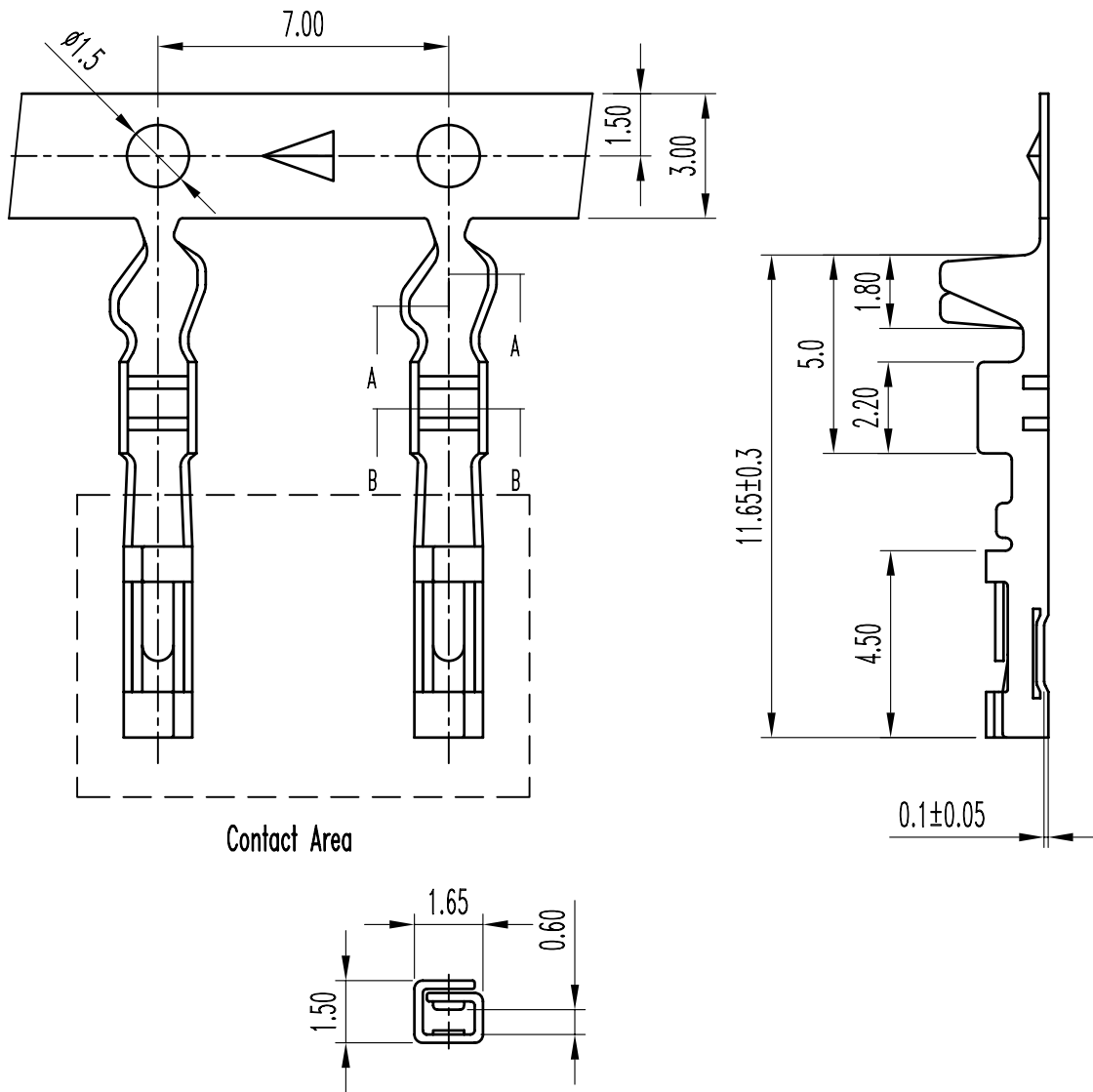
- Part No. : JS-1105B-XXx2
JS-1105B-XXx2 : GP Produces
- Poles : 2x2-40x2 (Double Row)
- Material : Noryl UL94V-1
- Q' ty : 1000 pcs./Bag



喬訊電子工業股份有限公司
CHYAO SHIUNN
ELECTRONIC INDUSTRIAL LTD.

PART NO JS-1105B-XXx2
2.54mm Center Mini Latch Housing

| APPROVED BY | SCALE | UNIT | TOLERANCE | | LTR | REVISION RECORD | DATE |
|-------------|------------|---------|-----------|------|-----|-----------------|------------|
| 林陳鏞 | 4:1 | mm | .0 | ±0.3 | | | |
| CHECKED BY | PROJ | VER NO. | .000 | ±0.1 | ECR | 200603-006 | 2006/03/10 |
| 陳文松 | | a2 | ALL | ± | | | |
| DRAWN BY | DATE | SIZE | ANGLE | | | | |
| 林文彬 | 2006/03/10 | A4 | 0° | ± | | | |
| | | | ±0° | ± | | | |

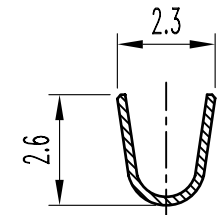


■ SPECIFICATIONS

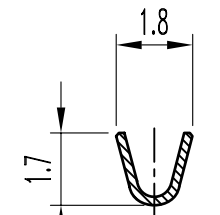
- Voltage Rating : 125 V AC/DC
- Current Rating : 3A AC/DC
- Withstanding Voltage : 1000V AC/minute
- Insulation Resistance : 1000M Ω min
- Temperature Range : - 40 $^{\circ}$ C to + 105 $^{\circ}$ C
- Contact Resistance : 20m Ω max

■ TERMINAL

- Part No. : JS-1105-T
- Applicable Wires : AWG# 22-28
- Material : Brass
- Finish : T : Select Gold in Contact Area ,
Over Ni Plated Overall
- Thickness : 0.2mm
- Q' ty : 10,000 pcs./Reel



A-A SEC



B-B SEC



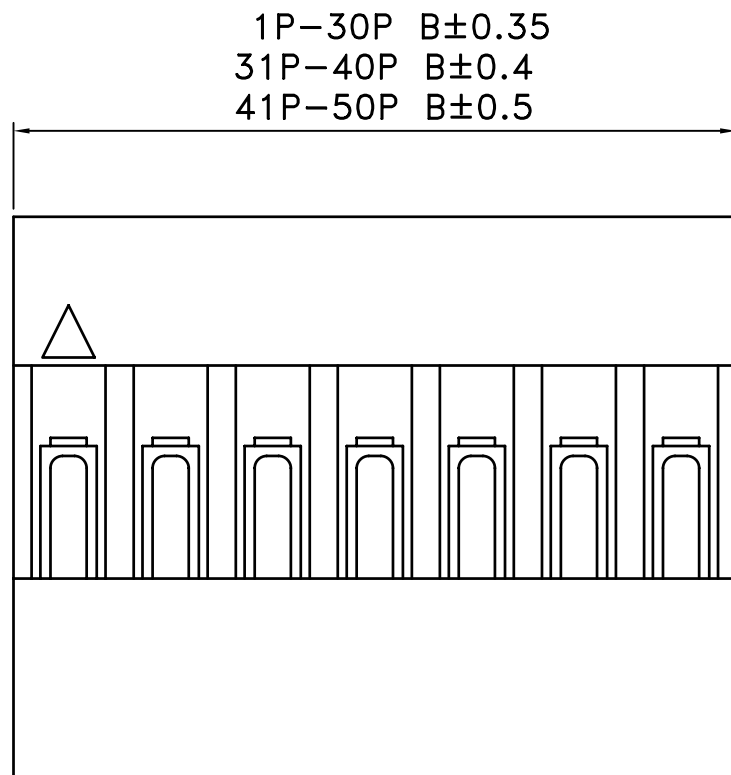
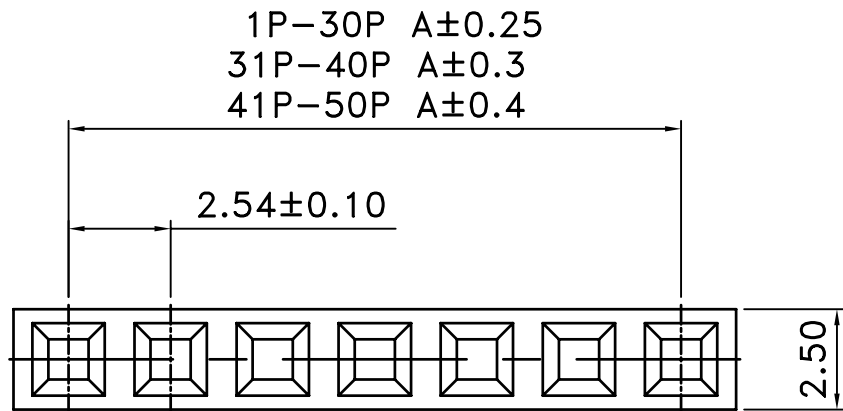
喬訊電子工業股份有限公司

CHYAO SHIUNN
ELECTRONIC INDUSTRIAL LTD.

PART NO JS-1105-T

2.54mm Center Mini Latch Terminal

| APPROVED BY | SCALE | UNIT | TOLERANCE | LTR | REVISION RECORD | DATE | LTR | REVISION RECORD | DATE |
|-------------|------------|---------|-----------|-----|-----------------|----------|----------------------------------|-----------------|------|
| 張育瑞 | | mm | .0 ±0.3 | ECR | RoHS Compliant | 06/04/01 | | | |
| CHECKED BY | PROJ | VER NO. | .00 ±0.2 | ECR | 200710-004 | 07/10/20 | | | |
| 黃科源 | | a3 | .000 ±0.1 | ECR | 200904-007 | 09/04/10 | | | |
| DRAWN BY | DATE | SIZE | ALL ± | ECR | 200912-006 | 09/12/21 | CUSTOMER | | |
| 王誠賢 | 2009/12/21 | A4 | ANGLE | | | | Conforms to The RoHS Instruction | | |
| | | | 0° ± | | | | | | |
| | | | .0° ± | | | | | | |



■ SPECIFICATIONS

- Current Rating : 3A AC/DC
- Withstanding Voltage : 1000V AC/minute
- Insulation Resistance : 1000MΩ min
- Temperature Range : - 40°C to +105°C
- Contact Resistance : 20mΩ max

■ HOUSING

- Part No. : JS-1108X-XX


Plastic:

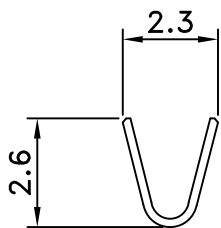
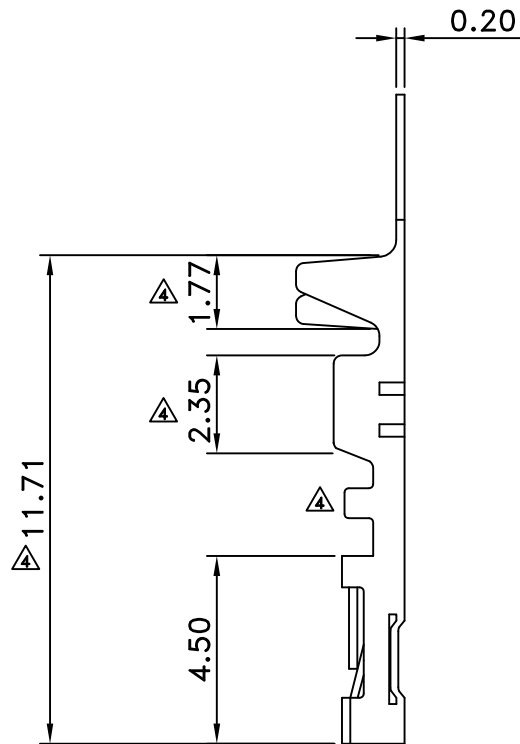
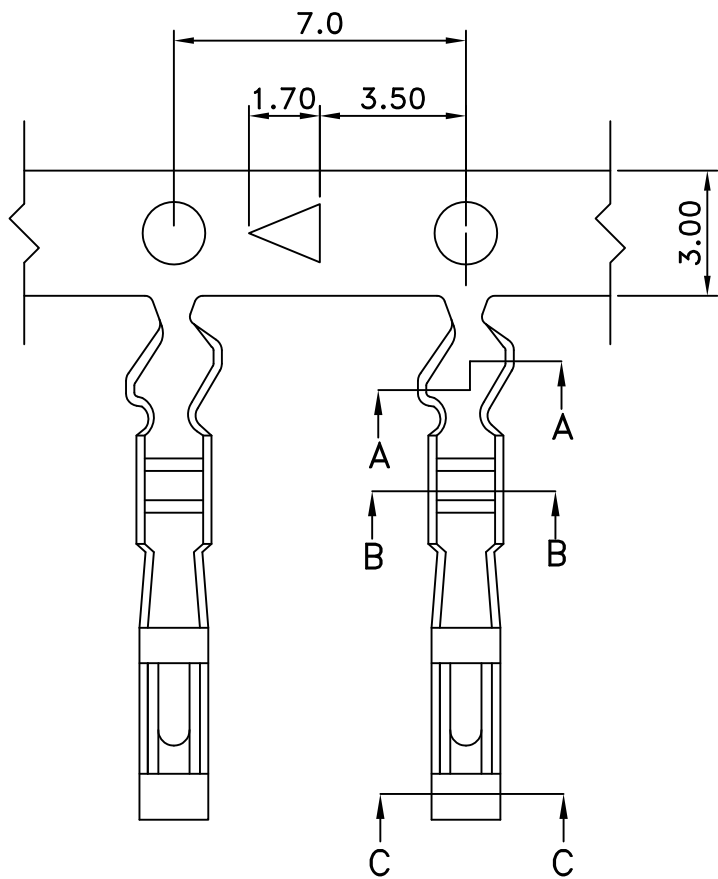
Blank:Noryl ←

A:PBT ←

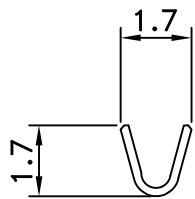
- Poles : 1-50 (Single Row)
- Material : High Temp. Plastic
- Q' ty : 1000 pcs./Bag

| Poles | Dimensions(mm) | | Poles | Dimensions(mm) | |
|-------|----------------|-------|-------|----------------|--------|
| | A | B | | A | B |
| 1 | — | 2.65 | 26 | 63.50 | 66.24 |
| 2 | 2.54 | 5.28 | 27 | 66.04 | 68.78 |
| 3 | 5.08 | 7.82 | 28 | 68.58 | 71.32 |
| 4 | 7.62 | 10.36 | 29 | 71.12 | 73.86 |
| 5 | 10.16 | 12.90 | 30 | 73.66 | 76.40 |
| 6 | 12.70 | 15.44 | 31 | 76.20 | 78.94 |
| 7 | 15.24 | 17.98 | 32 | 78.74 | 81.48 |
| 8 | 17.78 | 20.52 | 33 | 81.28 | 84.02 |
| 9 | 20.32 | 23.06 | 34 | 83.82 | 86.56 |
| 10 | 22.86 | 25.60 | 35 | 86.36 | 89.10 |
| 11 | 25.40 | 28.14 | 36 | 88.90 | 91.64 |
| 12 | 27.94 | 30.68 | 37 | 91.44 | 94.18 |
| 13 | 30.48 | 33.22 | 38 | 93.98 | 96.72 |
| 14 | 33.02 | 35.76 | 39 | 96.52 | 99.26 |
| 15 | 35.56 | 38.30 | 40 | 99.06 | 101.80 |
| 16 | 38.10 | 40.84 | 41 | 101.60 | 104.34 |
| 17 | 40.64 | 43.38 | 42 | 104.14 | 106.88 |
| 18 | 43.18 | 45.92 | 43 | 106.68 | 109.42 |
| 19 | 45.72 | 48.46 | 44 | 109.22 | 111.96 |
| 20 | 48.26 | 51.00 | 45 | 111.76 | 114.50 |
| 21 | 50.80 | 53.54 | 46 | 114.30 | 117.04 |
| 22 | 53.34 | 56.08 | 47 | 116.84 | 119.58 |
| 23 | 55.88 | 58.62 | 48 | 119.38 | 122.12 |
| 24 | 58.42 | 61.16 | 49 | 121.92 | 124.66 |
| 25 | 60.96 | 63.70 | 50 | 124.46 | 127.20 |

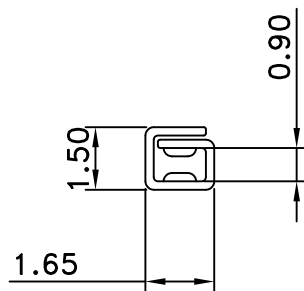
| | | | | | | | | | |
|---|-------------|-------|---------|-----------|----------------------------------|----------|-----------------|----------|------|
|  喬訊電子工業股份有限公司 CHYAO SHIUNN ELECTRONIC INDUSTRIAL LTD. | APPROVED BY | SCALE | UNIT | TOLERANCE | | LTR | REVISION RECORD | | DATE |
| | 張育瑞 | | mm | .0 | ±0.3 | △ | 尺寸說明欄修正 | 05/01/07 | |
| PART NO JS-1108X-XX 2.54mm Center Mini Latch Housing | CHECKED BY | PROJ | VER NO. | .00 | ±0.2 | △ | 變更原因遺失 | 05/11/17 | |
| | 黃科源 | ⊕ | a4 | .000 | ±0.1 | △ | 增加1PIN的規格 | 10/07/05 | |
| DRAWN BY 王誠賢 | DATE | SIZE | ANGLE | | Conforms to The RoHS Instruction | CUSTOMER | | | |
| | 2010/07/20 | A4 | 0° | ± | | | | | |
| | | | | .0° | ± | | | | |



A-A SEC



B-B SEC



C-C SEC

■ SPECIFICATIONS

- Voltage Rating : 125 V AC/DC
- Current Rating : 3A AC/DC
- Withstanding Voltage : 1000V AC/minute
- Insulation Resistance : 1000MΩ min
- Temperature Range : - 40℃ to +105℃
- Contact Resistance : 20mΩ max

■ TERMINAL

- Part No. : JS-1108-TB(X)

①

- ① Finish : Blank : Tin Plated
G : Gold Plated

- Applicable Wires : AWG# 22-28
- Material : Brass
- Finish : Tin Plated; Gold Plated
- Thickness : 0.2mm
- Q' ty : 10000 pcs./Reel

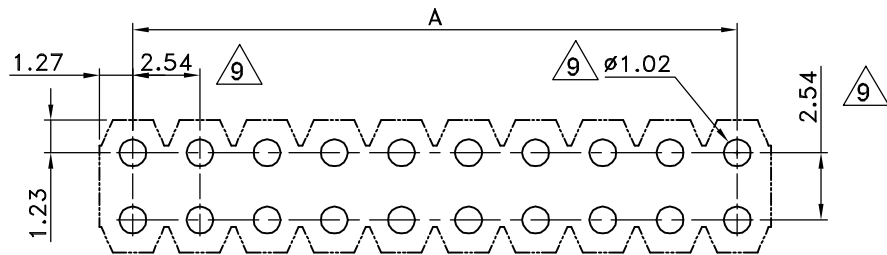


喬訊電子工業股份有限公司
CHYAO SHIUNN
ELECTRONIC INDUSTRIAL LTD.

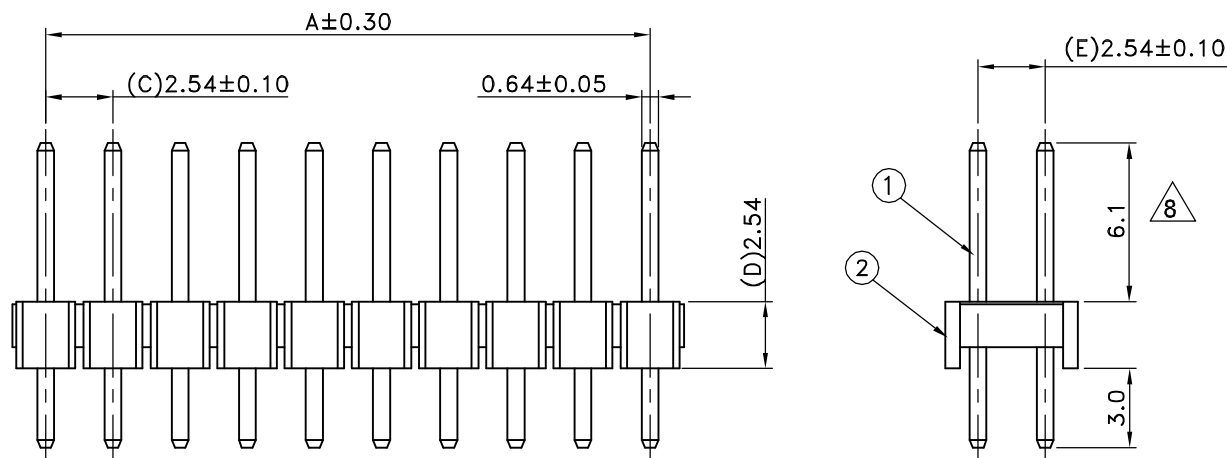
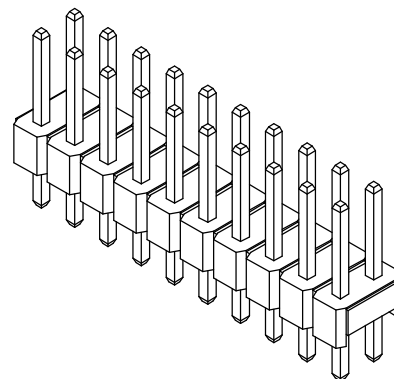
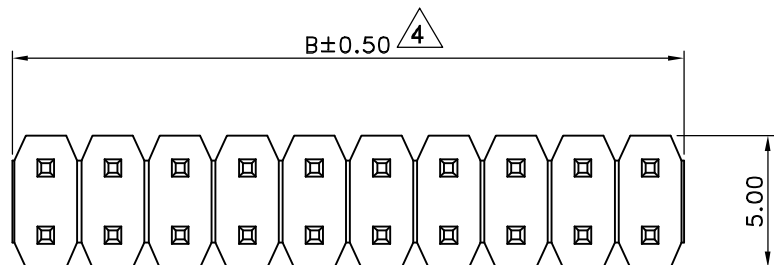
| APPROVED BY | SCALE | UNIT | TOLERANCE | LTR | REVISION RECORD | NAME | DATE | LTR | REVISION RECORD | NAME | DATE |
|-------------|------------|---------|------------|-----|-------------------|------|------------|-----|----------------------------------|------|------|
| 張育瑞 | | mm | .0 ±0.30 | △ | ECR 200511-005 | XXX | 2005/11/22 | △ | | | |
| CHECKED BY | PROJ | VER NO. | .00 ±0.20 | △ | ECR DG 200602-001 | XXX | 2006/02/07 | △ | | | |
| 周慈雲 | ⊕ | a4 | .000 ±0.10 | △ | ECR DG 200610-008 | 劉蓮花 | 2006/10/27 | △ | | | |
| DRAWN BY | DATE | SIZE | ANGLE | △ | 變更外觀尺寸 | 吳弘文 | 2015/12/16 | | CUSTOMER | | |
| 吳弘文 | 2015/12/16 | A4 | 0° ±1° | △ | | | | | Conforms to The RoHS Instruction | | |
| | | | .0° ± | △ | | | | | | | |
| | | | SHEET 1/1 | △ | | | | | | | |

PART NO JS-1108-TB(X)

2.54mm Center Mini Latch Terminal



Recommended PCB Layout
General Tolerance $\pm 0.05\text{mm}$



SPECIFICATIONS

- Current Rating : 3A AC/DC
- Voltage Rating : 125V AC/DC
- Withstanding Voltage : 1000V AC/minute
- Insulation Resistance : 1000M Ω min.
- Temperature Range : 1.PBT : -25°C to $+85^{\circ}\text{C}$
- 2.NY 6T : -40°C to $+105^{\circ}\text{C}$
- Contact Resistance : 20m Ω max.

PIN HEADER

- Part No. : JS-1106-XXx2(XXXX)
- Product Code ① ②

① Poles No : 2x2~40x2

② Base : Blank : PBT UL94V-0

6T : Nylon 6T UL94V-0

⑧ 6TNH : Nylon6T-66 UL94V-0;Non-Halogen

- Material : 1. Contact : Brass C2680, Gold Plated ⑩
- 2. Base : Refer the above options

• Q'ty : 1,000 pcs./Bag

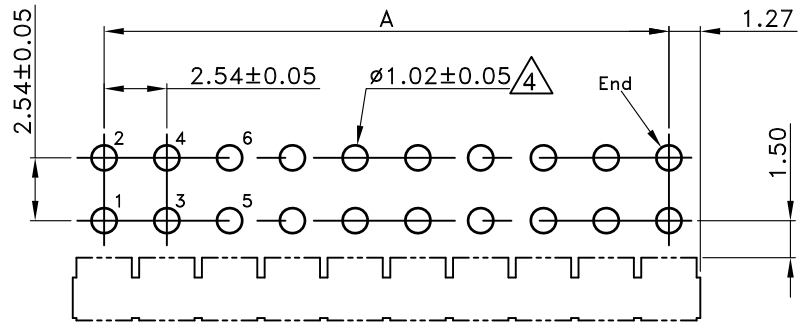
| ⑥ | Poles | Dimensions(mm) | | Poles | Dimensions(mm) | |
|---|-------|----------------|-------|-------|----------------|--------|
| | | A | B | | A | B |
| ⑪ | 2x2 | 2.54 | 5.08 | 22x2 | 53.34 | 55.88 |
| ⑫ | 3x2 | 5.08 | 7.62 | 23x2 | 55.88 | 58.42 |
| | 4x2 | 7.62 | 10.16 | 24x2 | 58.42 | 60.96 |
| | 5x2 | 10.16 | 12.70 | 25x2 | 60.96 | 63.50 |
| | 6x2 | 12.70 | 15.24 | 26x2 | 63.50 | 66.04 |
| | 7x2 | 15.24 | 17.78 | 27x2 | 66.04 | 68.58 |
| | 8x2 | 17.78 | 20.32 | 28x2 | 68.58 | 71.12 |
| | 9x2 | 20.32 | 22.86 | 29x2 | 71.12 | 73.66 |
| | 10x2 | 22.86 | 25.40 | 30x2 | 73.66 | 76.20 |
| | 11x2 | 25.40 | 27.94 | 31x2 | 76.20 | 78.74 |
| | 12x2 | 27.94 | 30.48 | 32x2 | 78.74 | 81.28 |
| | 13x2 | 30.48 | 33.02 | 33x3 | 81.28 | 83.82 |
| | 14x2 | 33.02 | 35.56 | 34x2 | 83.82 | 86.36 |
| | 15x2 | 35.56 | 38.10 | 35x2 | 86.36 | 88.90 |
| | 16x2 | 38.10 | 40.64 | 36x2 | 88.90 | 91.44 |
| | 17x2 | 40.64 | 43.18 | 37x2 | 91.44 | 93.98 |
| | 18x2 | 43.18 | 45.72 | 38x2 | 93.98 | 96.52 |
| | 19x2 | 45.72 | 48.26 | 39x2 | 96.52 | 99.06 |
| | 20x2 | 48.26 | 50.80 | 40x2 | 99.06 | 101.60 |
| | 21x2 | 50.80 | 53.34 | | | |



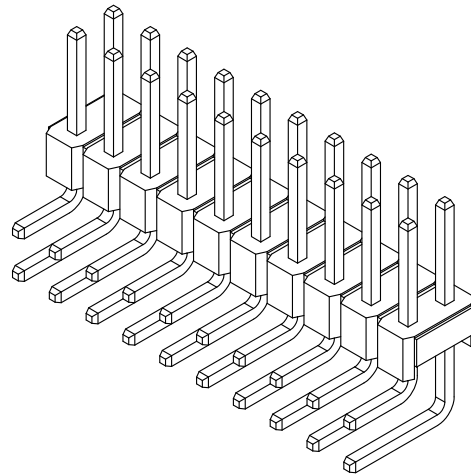
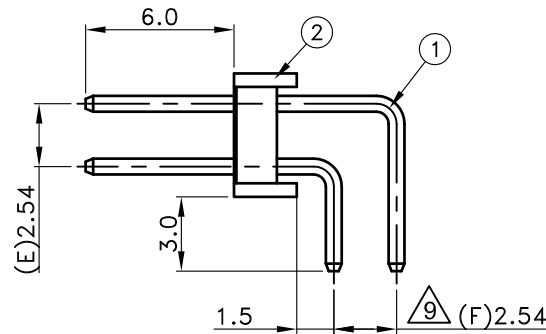
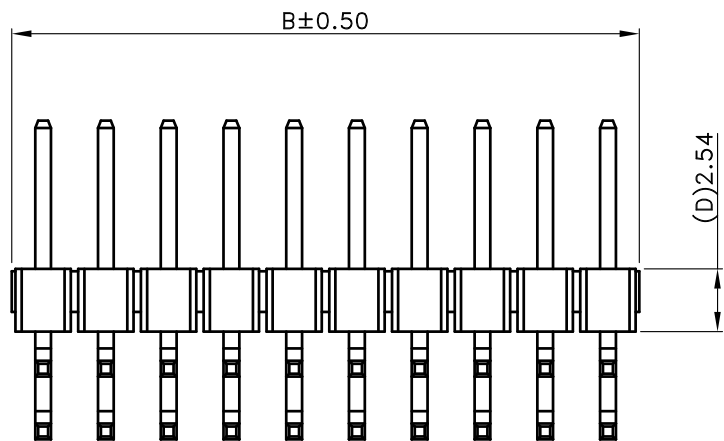
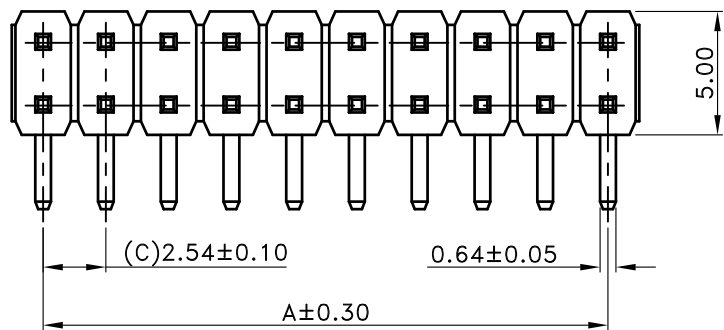
喬訊電子工業股份有限公司
CHYAO SHIUNN
ELECTRONIC INDUSTRIAL LTD.

| APPROVED BY | SCALE | UNIT | TOLERANCE | LTR | REVISION RECORD | NAME | DATE | LTR | REVISION RECORD | NAME | DATE |
|-------------|------------|---------|--------------------|-----|-----------------|---------|----------|----------------------------------|-----------------|-------|----------|
| Tom Shih | | mm | .0 ± 0.30 | ③ | 變更原因遺失 | 林文彬 | 06/06/24 | ⑩ | 添加黃銅材料C2680註釋 | 謝君 | 20/06/15 |
| CHECKED BY | PROJ | VER NO. | .00 ± 0.20 | ④ | 修改Layout孔徑及B點公差 | 黃科源 | 08/09/05 | ⑩ | 修改尺寸對照表 | Eddie | 21/01/05 |
| Erin Chou | | a12 | .000 ± 0.10 | ⑤ | 修改物性表及尺寸表 | 黃科源 | 09/07/31 | ⑩ | 修正尺寸表編碼敘述 | Eddie | 23/04/07 |
| DRAWN BY | DATE | SIZE | ANGLE | | ⑥ | 修改尺寸對照表 | 黃科源 | 09/09/11 | CUSTOMER | | |
| Eddie | 2023/04/07 | A4 | 0° $\pm 1^{\circ}$ | ⑦ | 新增6T材質及操作溫度 | 吳沛倫 | 11/01/13 | | | | |
| | | | .0° \pm | ⑧ | 增加6TNH的材質選項 | 林謙豪 | 12/04/25 | Conforms to The RoHS Instruction | | | |
| | | | SHEET 1/1 | ⑨ | 更正公差範圍 | 李柏昇 | 15/07/09 | | | | |

PART NO JS-1106-XXx2(XXXX)
2.54mm Double-Row Wire to Board Connector, Straight



Recommended PCB Layout



5 ■ SPECIFICATIONS

- Current Rating : 3A AC/DC
- Voltage Rating : 125V AC/DC
- Withstanding Voltage : 1000V AC/minute
- Insulation Resistance : 1000MΩ min.
- Temperature Range : 1.PBT : -25°C to +85°C
- 2.NY 6T : -40°C to +105°C
- Contact Resistance : 20mΩ max.

■ PIN HEADER

• Part No. : JS-1107-XXx2(XXXX)

Product Code

①Poles No: 02~40

②Base:

Blank:PBT

6T:Nylon 6T UL94V-0

⑧ 6TNH:Nylon6T-66 UL94V-0;Non-Halogen

• Material : 1. Contact : Brass, Gold Plated

2. Base : Refer the above options

• Q'ty : 1,000 pcs./Bag

Halogen Free

6

| Poles | Dimensions(mm) | | Poles | Dimensions(mm) | |
|-------|----------------|-------|-------|----------------|--------|
| | A | B | | A | B |
| 02 | 2.54 | 5.08 | 22 | 53.34 | 55.88 |
| 03 | 5.08 | 7.62 | 23 | 55.88 | 58.42 |
| 04 | 7.62 | 10.16 | 24 | 58.42 | 60.96 |
| 05 | 10.16 | 12.70 | 25 | 60.96 | 63.50 |
| 06 | 12.70 | 15.24 | 26 | 63.50 | 66.04 |
| 07 | 15.24 | 17.78 | 27 | 66.04 | 68.58 |
| 08 | 17.78 | 20.32 | 28 | 68.58 | 71.12 |
| 09 | 20.32 | 22.86 | 29 | 71.12 | 73.66 |
| 10 | 22.86 | 25.40 | 30 | 73.66 | 76.20 |
| 11 | 25.40 | 27.94 | 31 | 76.20 | 78.74 |
| 12 | 27.94 | 30.48 | 32 | 78.74 | 81.28 |
| 13 | 30.48 | 33.02 | 33 | 81.28 | 83.82 |
| 14 | 33.02 | 35.56 | 34 | 83.82 | 86.36 |
| 15 | 35.56 | 38.10 | 35 | 86.36 | 88.90 |
| 16 | 38.10 | 40.64 | 36 | 88.90 | 91.44 |
| 17 | 40.64 | 43.18 | 37 | 91.44 | 93.98 |
| 18 | 43.18 | 45.72 | 38 | 93.98 | 96.52 |
| 19 | 45.72 | 48.26 | 39 | 96.52 | 99.06 |
| 20 | 48.26 | 50.80 | 40 | 99.06 | 101.60 |
| 21 | 50.80 | 53.34 | | | |



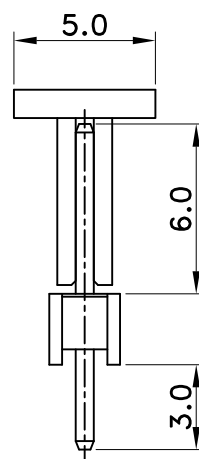
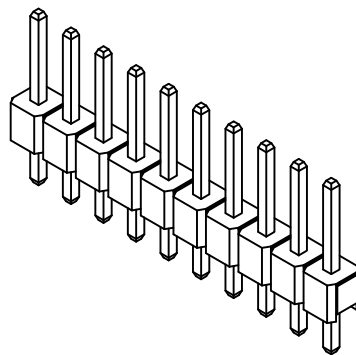
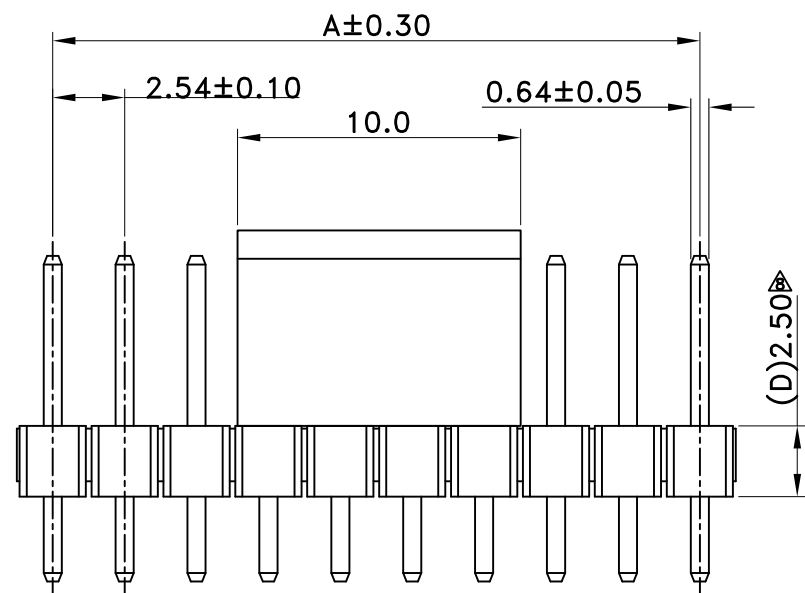
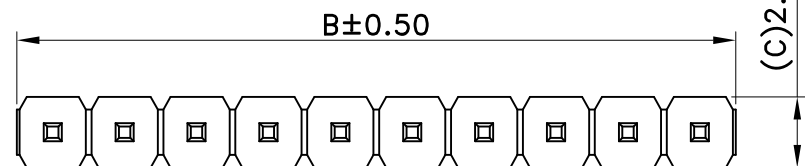
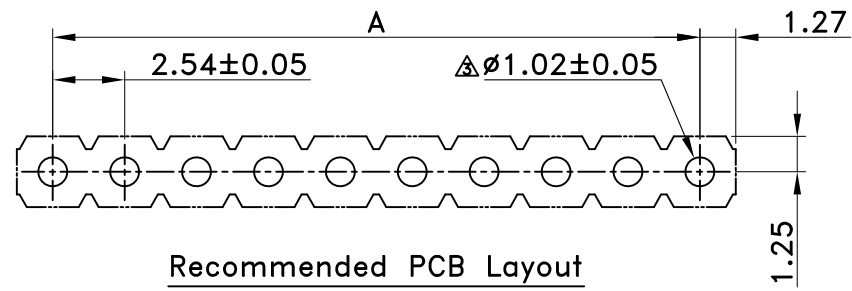
喬訊電子工業股份有限公司

CHYAO SHIUNN
ELECTRONIC INDUSTRIAL LTD.

PART NO JS-1107-XXx2(XXXX)

2.54mm Double-Row Wire to Board Connector, Right Angle

| APPROVED BY | SCALE | UNIT | TOLERANCE | LTR | REVISION RECORD | NAME | DATE | LTR | REVISION RECORD | NAME | DATE |
|-------------|------------|---------|------------|-----|-----------------|------|----------|----------------------------------|-----------------|------|----------|
| 張育瑞 | | mm | .0 ±0.30 | △ | 變更原因遺失 | 余秀麗 | 05/05/15 | △ | 新增6TNH材質 | 林謙豪 | 12/04/25 |
| CHECKED BY | PROJ | VER NO. | .00 ±0.20 | △ | 變更原因遺失 | XXX | XX/XX/XX | △ | 更正尺寸重覆代號 | 吳弘文 | 14/03/13 |
| 周慈雲 | ⊕ | a9 | .000 ±0.10 | △ | 變更原因遺失 | 林文彬 | 06/06/24 | △ | | | |
| DRAWN BY | DATE | SIZE | ANGLE | | 修改Layout孔徑 | 黃科源 | 08/09/05 | CUSTOMER | | | |
| 吳弘文 | 2014/03/13 | A4 | 0° ±1° | △ | 修改物性表 | 黃科源 | 09/07/31 | | | | |
| | | | 0° ± | △ | 修改尺寸對照表 | 黃科源 | 09/09/11 | Conforms to The RoHS Instruction | | | |
| | | | SHEET 1/1 | △ | 新增6T材質及溫度 | 吳沛倫 | 11/03/15 | | | | |



■ SPECIFICATIONS ▲

- Current Rating : 3A AC/DC
- Voltage Rating : 125V AC/DC
- Withstanding Voltage : 1000V AC/minute
- Insulation Resistance : 1000M Ω min.
- Temperature Range : 1.PBT : -25°C to +85°C
2.NY 6T : -40°C to +105°C

• Contact Resistance : 20m Ω max. ▲

■ PIN HEADER

• Part No. : JS-1109-XX(XXXX XX XX XX)

Product Code ① ② ③ ④ ⑤

- ① Poles No: 01~40 ▲
 - ② Base: Blank:PBT;Color:Black ▲
6T:Nylon 6T UL94V-0;Color:Black
6TNH:Nylon6T-66 UL94V-0;Non-Halogen;Color:Black ▲
 - ③ Contact Plated: Blank:Gold Plated
T:TIN over NICKEL ▲
M: No plated ▲
 - ④ Cap:Blank: Without Cap
C:With Cap ▲
- Packing:Blank: Bag
/R:Reel&Tape ▲

- Material : 1. Contact : Brass ▲
2. Base/Cap : Refer the above options

| Poles | Dimensions (mm) | | Poles | Dimensions (mm) | |
|-------|-----------------|-------|-------|-----------------|--------|
| | A | B | | A | B |
| 1 | 2.54 | 2.54 | 21 | 50.80 | 53.34 |
| 2 | 2.54 | 5.08 | 22 | 53.34 | 55.88 |
| 3 | 5.08 | 7.62 | 23 | 55.88 | 58.42 |
| 4 | 7.62 | 10.16 | 24 | 58.42 | 60.96 |
| 5 | 10.16 | 12.70 | 25 | 60.96 | 63.50 |
| 6 | 12.70 | 15.24 | 26 | 63.50 | 66.04 |
| 7 | 15.24 | 17.78 | 27 | 66.04 | 68.58 |
| 8 | 17.78 | 20.32 | 28 | 68.58 | 71.12 |
| 9 | 20.32 | 22.86 | 29 | 71.12 | 73.66 |
| 10 | 22.86 | 25.40 | 30 | 73.66 | 76.20 |
| 11 | 25.40 | 27.94 | 31 | 76.20 | 78.74 |
| 12 | 27.94 | 30.48 | 32 | 78.74 | 81.28 |
| 13 | 30.48 | 33.02 | 33 | 81.28 | 83.82 |
| 14 | 33.02 | 35.56 | 34 | 83.82 | 86.36 |
| 15 | 35.56 | 38.10 | 35 | 86.36 | 88.90 |
| 16 | 38.10 | 40.64 | 36 | 88.90 | 91.44 |
| 17 | 40.64 | 43.18 | 37 | 91.44 | 93.98 |
| 18 | 43.18 | 45.72 | 38 | 93.98 | 96.52 |
| 19 | 45.72 | 48.26 | 39 | 96.52 | 99.06 |
| 20 | 48.26 | 50.80 | 40 | 99.06 | 101.60 |

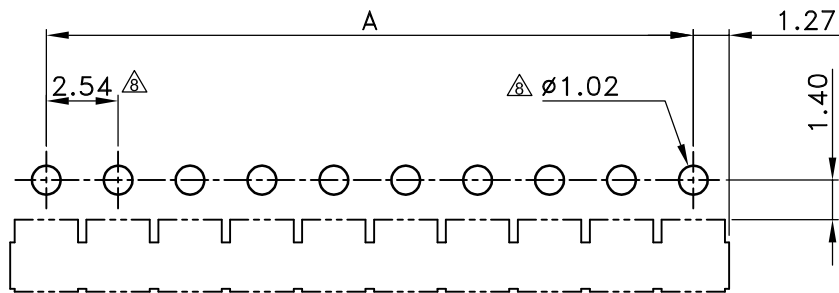


喬訊電子工業股份有限公司
CHYAO SHIUNN
ELECTRONIC INDUSTRIAL LTD.

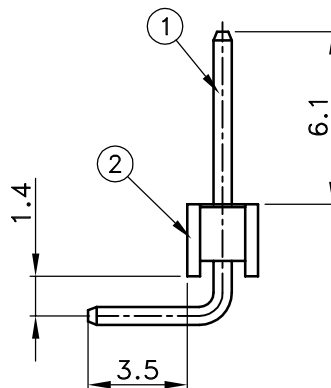
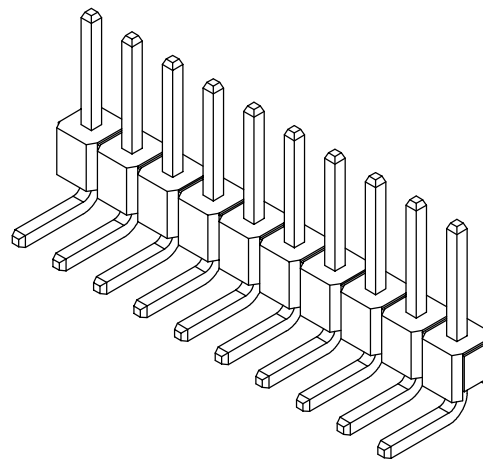
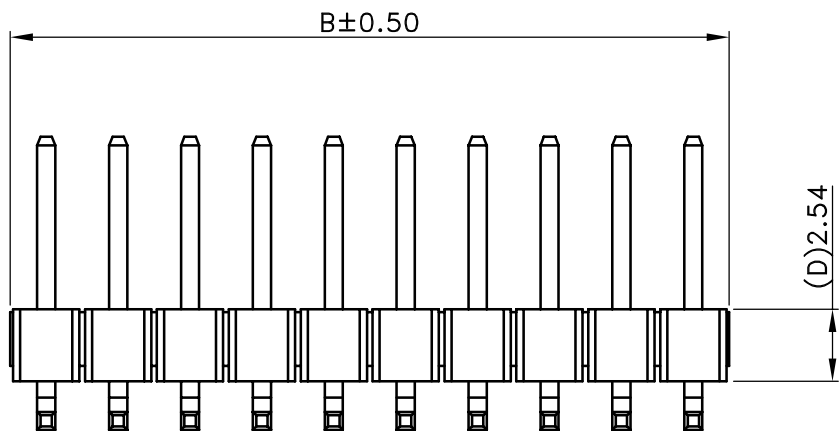
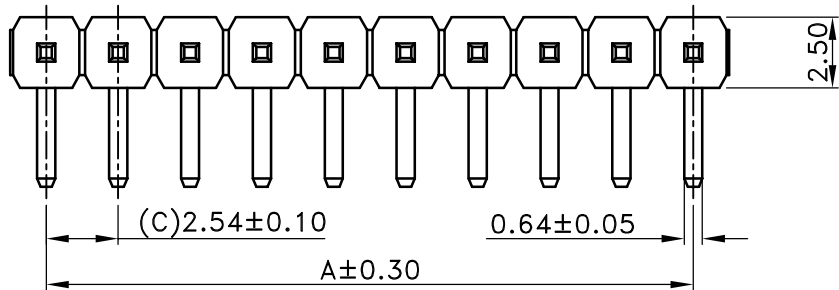
PART NO JS-1109-XX(XXXX)

2.54mm Single-Row Board to Board Connector (Straight Type)

| APPROVED BY | SCALE | UNIT | TOLERANCE | LTR | REVISION RECORD | NAME | DATE | LTR | REVISION RECORD | NAME | DATE |
|-------------|------------|---------|------------|-----|-----------------|--------------|----------|----------------------------------|---------------------|-------|----------|
| 張育瑞 | | mm | .0 ±0.30 | ▲ | 修改Layout孔徑及公差 | 黃科源 | 08/09/05 | ▲ | 增加Contact Plated碼注明 | 周家慶 | 18/06/19 |
| CHECKED BY | PROJ | VER NO. | .00 ±0.20 | ▲ | 修改物性表及尺寸對照表 | 黃科源 | 09/07/31 | ▲ | 修改尺寸對照表增加1PIN | Eddie | 18/09/03 |
| 劉娜 | | a12 | .000 ±0.10 | ▲ | 修改尺寸對照表 | 黃科源 | 09/09/11 | ▲ | 增加蓋帽選項 | 謝君 | 22/10/18 |
| DRAWN BY | DATE | SIZE | ANGLE | | 增加Nylon 6T材質溫度 | 王誠賢 | 11/03/10 | CUSTOMER | | | |
| 謝君 | 2022/10/18 | A4 | 0° ±1° | ▲ | 增加6TNH材質選項 | 林謙豪 | 12/04/26 | | | | |
| | | | 0° ± | ▲ | 依產品實際尺寸修改塑膠尺寸 | 張逸維 | 13/04/23 | Conforms to The RoHS Instruction | | | |
| | | | SHEET | 1/1 | ▲ | 增加塑膠顏色, 包裝數量 | 吳弘文 | | | | |



Recommended PCB Layout
General Tolerance $\pm 0.05\text{mm}$



■ SPECIFICATIONS

- Current Rating : 3A AC/DC
- Voltage Rating : 125V AC/DC
- Withstanding Voltage : 1000V AC/minute
- Insulation Resistance : 1000MΩ min.
- Temperature Range : 1.PBT : -25°C to $+85^{\circ}\text{C}$
 \triangle 2.NY 6T : -40°C to $+105^{\circ}\text{C}$
- Contact Resistance : 20mΩ max.

■ PIN HEADER

· Part No. : JS-1110-XX(XXXX)

- Product Code $\textcircled{1}$ $\textcircled{2}$
- $\textcircled{1}$ Poles No: 02-40
 - $\textcircled{2}$ Base: Blank:PBT UL94V-0
 6T:Nylon 6T UL94V-0
 \triangle 6TNH:Nylon6T-66 UL94V-0;Non-Halogen
 - Material : 1. Contact : Brass,Gold Plated
 2. Base : Refer the above options,Black
 - Q' ty : 1,000 pcs./Bag

| Poles | Dimensions(mm) | | Poles | Dimensions(mm) | |
|-------|----------------|-------|-------|----------------|--------|
| | A | B | | A | B |
| 02 | 2.54 | 5.08 | 22 | 53.34 | 55.88 |
| 03 | 5.08 | 7.62 | 23 | 55.88 | 58.42 |
| 04 | 7.62 | 10.16 | 24 | 58.42 | 60.96 |
| 05 | 10.16 | 12.70 | 25 | 60.96 | 63.50 |
| 06 | 12.70 | 15.24 | 26 | 63.50 | 66.04 |
| 07 | 15.24 | 17.78 | 27 | 66.04 | 68.58 |
| 08 | 17.78 | 20.32 | 28 | 68.58 | 71.12 |
| 09 | 20.32 | 22.86 | 29 | 71.12 | 73.66 |
| 10 | 22.86 | 25.40 | 30 | 73.66 | 76.20 |
| 11 | 25.40 | 27.94 | 31 | 76.20 | 78.74 |
| 12 | 27.94 | 30.48 | 32 | 78.74 | 81.28 |
| 13 | 30.48 | 33.02 | 33 | 81.28 | 83.82 |
| 14 | 33.02 | 35.56 | 34 | 83.82 | 86.36 |
| 15 | 35.56 | 38.10 | 35 | 86.36 | 88.90 |
| 16 | 38.10 | 40.64 | 36 | 88.90 | 91.44 |
| 17 | 40.64 | 43.18 | 37 | 91.44 | 93.98 |
| 18 | 43.18 | 45.72 | 38 | 93.98 | 96.52 |
| 19 | 45.72 | 48.26 | 39 | 96.52 | 99.06 |
| 20 | 48.26 | 50.80 | 40 | 99.06 | 101.60 |
| 21 | 50.80 | 53.34 | | | |



喬訊電子工業股份有限公司
CHYAO SHIUNN
ELECTRONIC INDUSTRIAL LTD.

PART NO JS-1110-XX(XXXX)

2.54mm Single-Row Wire to Board Connector, Right Angle

| APPROVED BY | SCALE | UNIT | TOLERANCE | LTR | REVISION RECORD | NAME | DATE | LTR | REVISION RECORD | NAME | DATE |
|-------------|-------------------------|---------|-----------------|-----------------|-----------------|------|----------|----------------------------------|-----------------|------|----------|
| 張育瑞 | | mm | .0 ± 0.30 | \triangle | 圖面變更原因遺失 | 余秀麗 | 05/05/15 | \triangle | 更正公差範圍和版面配置 | 李柏昇 | 15/07/08 |
| CHECKED BY | PROJ | VER NO. | .00 ± 0.20 | \triangle | 圖面變更原因遺失 | 林文彬 | 06/06/24 | \triangle | | | |
| 周慈雲 | $\textcircled{\otimes}$ | a8 | .000 ± 0.10 | \triangle | 修改Layout孔徑尺寸 | 黃科源 | 08/09/05 | \triangle | | | |
| DRAWN BY | DATE | SIZE | ANGLE | | 修改尺寸對照表 | 黃科源 | 09/07/31 | CUSTOMER | | | |
| 李柏昇 | 2015/07/08 | A4 | 0° | $\pm 1^{\circ}$ | 修改尺寸對照表 | 黃科源 | 09/09/11 | | | | |
| | | | .0° | \pm | 新增6T材質及溫度 | 王誠賢 | 11/01/13 | | | | |
| | | | SHEET | 1/1 | 新增6TNH材質選項 | 林謙豪 | 11/03/15 | Conforms to The RoHS Instruction | | | |