

■ SPECIFICATIONS

- Voltage Rating : 250V AC/DC ⚠
- Current Rating : 3A AC/DC
- Withstanding Voltage : 1,000V AC/minute
- Insulation Resistance : 1,000MΩ min
- Temperature Range : - 25°C to + 85°C
- Contact Resistance : 20mΩ max.

■ HOUSING

• Part No. : JS-2001-XX (XX) XX

① Poles : 2-20 ① ② ③

② Material :

Blank: Nylon 66 UL94V-0

GW: Nylon 66 UL94V-0(Glow Wire) ⚠

③ Color : Blank : Nature

BU : Blue(660C)

R : Red(199C)

Y : Yellow(122C)

BK: Black ⚠

| Poles | Dimensions (mm) | | |
|-------|-----------------|-------|-------|
| | A | B | C |
| 2 | 2.50 | 7.30 | 5.70 |
| 3 | 5.00 | 9.80 | 8.20 |
| 4 | 7.50 | 12.30 | 10.70 |
| 5 | 10.00 | 14.80 | 13.20 |
| 6 | 12.50 | 17.30 | 15.70 |
| 7 | 15.00 | 19.80 | 18.20 |
| 8 | 17.50 | 22.30 | 20.70 |
| 9 | 20.00 | 24.80 | 23.20 |
| 10 | 22.50 | 27.30 | 25.70 |
| 11 | 25.00 | 29.80 | 28.20 |
| 12 | 27.50 | 32.30 | 30.70 |
| 13 | 30.00 | 34.80 | 33.20 |
| 14 | 32.50 | 37.30 | 35.70 |
| 15 | 35.00 | 39.80 | 38.20 |
| 16 | 37.50 | 42.30 | 40.70 |
| 17 | 40.00 | 44.80 | 43.20 |
| 18 | 42.50 | 47.30 | 45.70 |
| 19 | 45.00 | 49.80 | 48.20 |
| 20 | 47.50 | 52.30 | 50.70 |



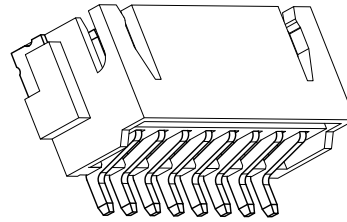
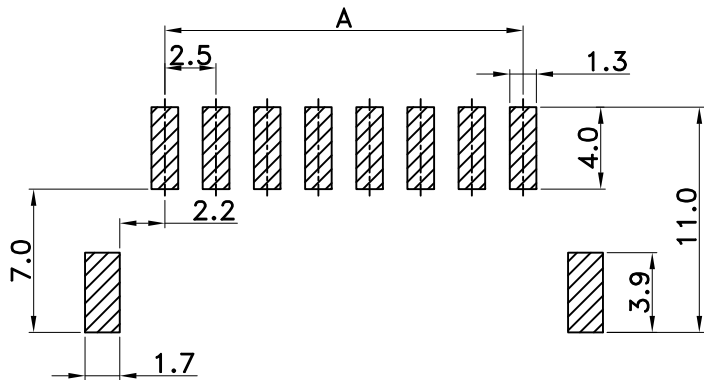
喬訊電子工業股份有限公司

CHYAO SHIUNN
ELECTRONIC INDUSTRIAL LTD.

| APPROVED BY | SCALE | UNIT | TOLERANCE | LTR | REVISION RECORD | NAME | DATE | LTR | REVISION RECORD | NAME | DATE |
|-------------|------------|---------|------------|-----|--------------------------|------|------------|----------------------------------|-----------------|------|------------|
| 張育瑞 | | mm | .0 ±0.30 | ⚠ | XXX | XXX | XXXX/XX/XX | ⚠ | 增加GW3材料選項 | 曾慶根 | 2017/05/05 |
| CHECKED BY | PROJ | VER NO. | .00 ±0.20 | ⚠ | 增加3D視圖 | Jack | 2011/08/17 | ⚠ | 修改GW材料選項 | 劉娜 | 2022/10/31 |
| 劉娜 | ⊕ | a9 | .000 ±0.10 | ⚠ | 增加CS和模號標示 | Jack | 2012/04/10 | ⚠ | | | |
| DRAWN BY | DATE | SIZE | ANGLE | | 變更材質說明 | Jack | 2012/04/26 | CUSTOMER | | | |
| 劉娜 | 2022/10/31 | A4 | 0° ±1° | ⚠ | Add the red type product | Jack | 2012/07/13 | | | | |
| | | | 0° ± | ⚠ | 依規格書修正額定電壓 | 吳弘文 | 2013/06/21 | Conforms to The RoHS Instruction | | | |
| | | | SHEET | 1/1 | 變更材質說明 | 藍美娜 | 2016/05/13 | | | | |

PART NO JS-2001-XXXX

2.50mm Crimp Style Connectors Housing



■ SPECIFICATIONS

- Voltage Rating : 250V AC/DC
- Current Rating : 3A AC/DC
- Withstanding Voltage : 1000V AC/minute
- Insulation Resistance : 1000MΩ min.
- Temperature Range : -25°C to +85°C
- Contact Resistance : 20mΩ max.
- After Environmental Testing : 30mΩ max.

■ WAFER

- Part No. : JS-1001H2-XX (XX)

Product Code: ① ②

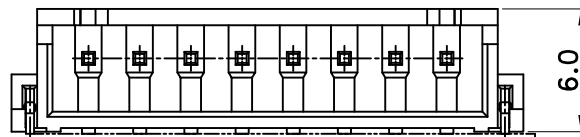
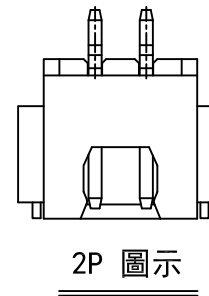
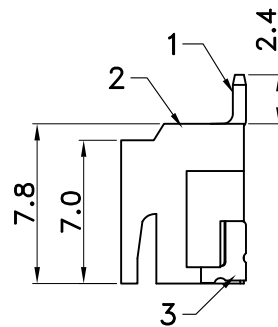
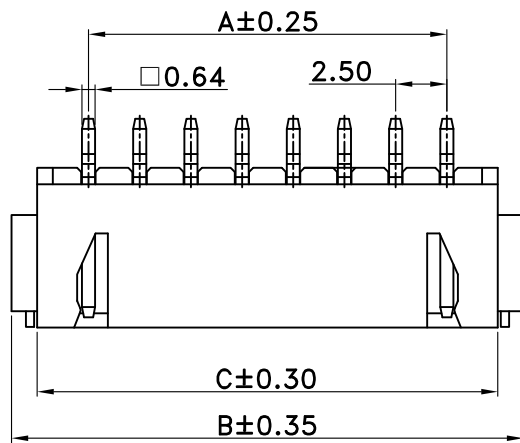
① Poles: 02~16

② Plated :

Blank : Tin Plated

G : Gold Flash

- Material : 1. Contact : Brass
2. Base : LCP UL94V-0, Colour : Natural
3. Solder Nail : Brass
- Packing : Tape & Reel
- Mating Housing : JS-2001-XX
Mating Terminal : JS-2001-T



| | | |
|--|---------|------|
| | 02P~11P | 0.10 |
| | 12P~16P | 0.12 |

| Poles | Dimension(mm) | | | Poles | Dimension(mm) | | |
|-------|---------------|-------|-------|-------|---------------|-------|-------|
| | A | B | C | | A | B | C |
| 2 | 2.50 | 10.00 | 7.50 | 10 | 22.50 | 30.00 | 27.50 |
| 3 | 5.00 | 12.50 | 10.00 | 11 | 25.00 | 32.50 | 30.00 |
| 4 | 7.50 | 15.00 | 12.50 | 12 | 27.50 | 35.00 | 32.50 |
| 5 | 10.00 | 17.50 | 15.00 | 13 | 30.00 | 37.50 | 35.00 |
| 6 | 12.50 | 20.00 | 17.50 | 14 | 32.50 | 40.00 | 37.50 |
| 7 | 15.00 | 22.50 | 20.00 | 15 | 35.00 | 42.50 | 40.00 |
| 8 | 17.50 | 25.00 | 22.50 | 16 | 37.50 | 45.00 | 42.50 |
| 9 | 20.00 | 27.50 | 25.00 | | | | |



喬訊電子工業股份有限公司
CHYAO SHIUNN
ELECTRONIC INDUSTRIAL LTD.

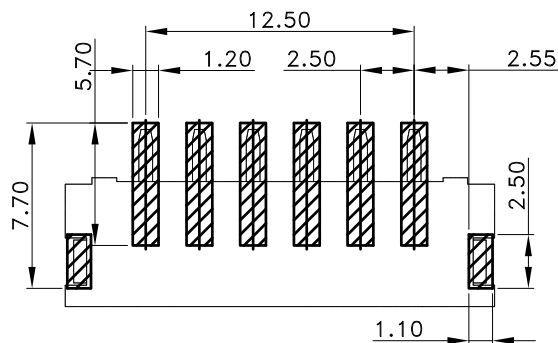
PART NO JS-1001H2-XX

2.50mm Crimp Style Connectors Wafer(SMT)

| APPROVED BY | SCALE | UNIT | TOLERANCE | LTR | REVISION RECORD | NAME | DATE | LTR | REVISION RECORD | NAME | DATE |
|-------------|------------|---------|------------|-----|-----------------|------|------|-----|-----------------|------|------|
| 張育瑞 | | mm | .0 ±0.30 | △ | | | | △ | | | |
| CHECKED BY | PROJ | VER NO. | .00 ±0.20 | △ | | | | △ | | | |
| 劉娜 | | a0 | .000 ±0.10 | △ | | | | △ | | | |
| DRAWN BY | DATE | SIZE | ANGLE | △ | | | | △ | | | |
| 曾慶根 | 2021/07/29 | A4 | 0° ±1° | △ | | | | △ | | | |
| | | | .0° ± | △ | | | | △ | | | |
| | | | SHEET 1/1 | △ | | | | △ | | | |

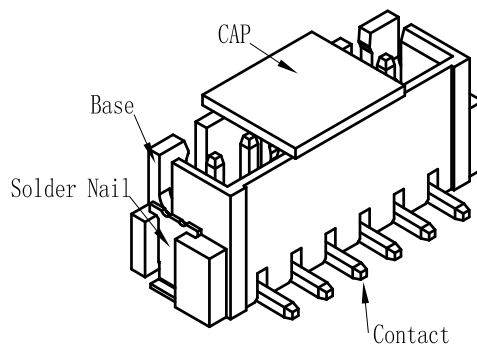
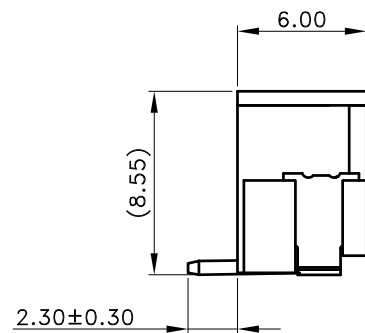
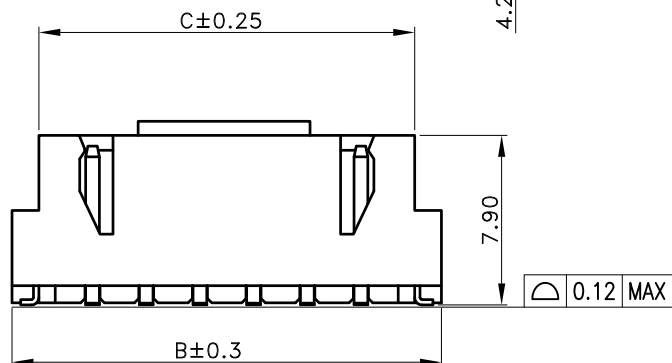
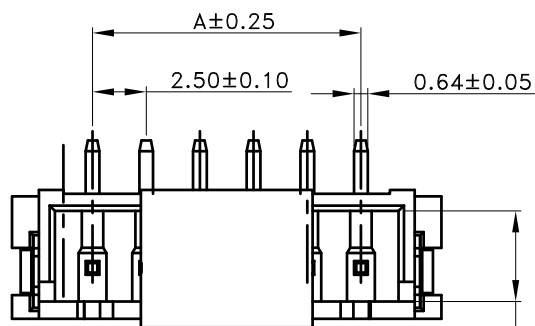
CUSTOMER

Conforms to The RoHS Instruction



Recommended PCB Layout

General tolerance ± 0.05



■ SPECIFICATIONS

- Voltage Rating : 250V AC/DC
- Current Rating : 3A AC/DC
- Withstanding Voltage : 1000V AC/minute
- Insulation Resistance : 1000M Ω min.
- Temperature Range : -25 $^{\circ}$ C to +105 $^{\circ}$ C
- Contact Resistance : 20m Ω max.

■ WAFER

- Part No. : JS-1001V2-XX

Product Code: ①

① Poles: 02~16

- Material : 1. Contact : Brass, Tin plated
2. Base : LCP UL94 V-0, Colour : Beige
3. Solder Nail : Phosphor bronze, Tin plated
4. Base : LCP UL94 V-0, Colour : Beige
- Packing : Tape & Reel



| Circuit | Dimensions(mm) | | |
|---------|----------------|-------|-------|
| | A | B | C |
| 02 | 2.50 | 10.00 | 7.50 |
| 03 | 5.00 | 12.50 | 10.00 |
| 04 | 7.50 | 15.00 | 12.50 |
| 05 | 10.00 | 17.50 | 15.00 |
| 06 | 12.50 | 20.00 | 17.50 |
| 07 | 15.00 | 22.50 | 20.00 |
| 08 | 17.50 | 25.00 | 22.50 |
| 09 | 20.00 | 27.50 | 25.00 |
| 10 | 22.50 | 30.00 | 27.50 |
| 11 | 25.00 | 32.50 | 30.00 |
| 12 | 27.50 | 35.00 | 32.50 |
| 13 | 30.00 | 37.50 | 35.00 |
| 14 | 32.50 | 40.00 | 37.50 |
| 15 | 35.00 | 42.50 | 40.00 |
| 16 | 37.50 | 45.00 | 42.50 |



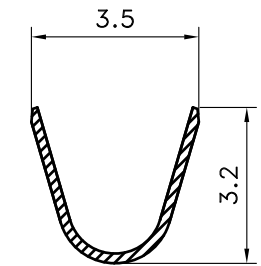
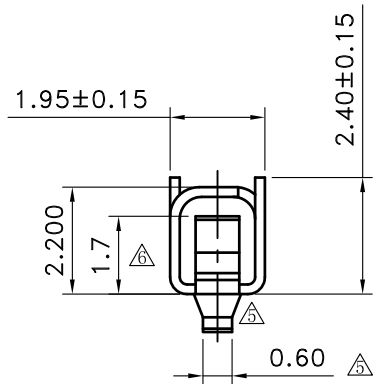
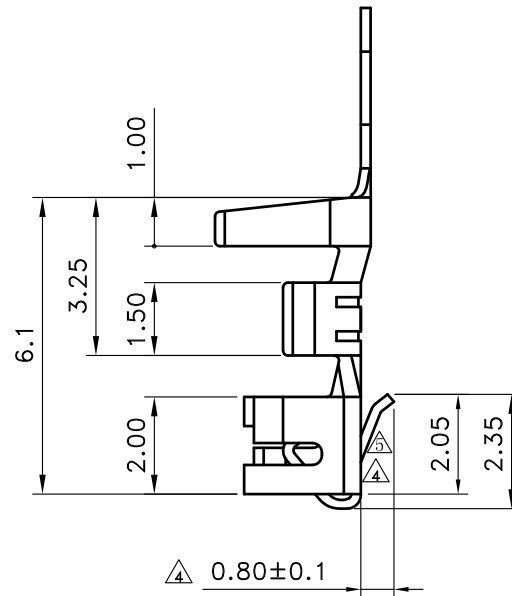
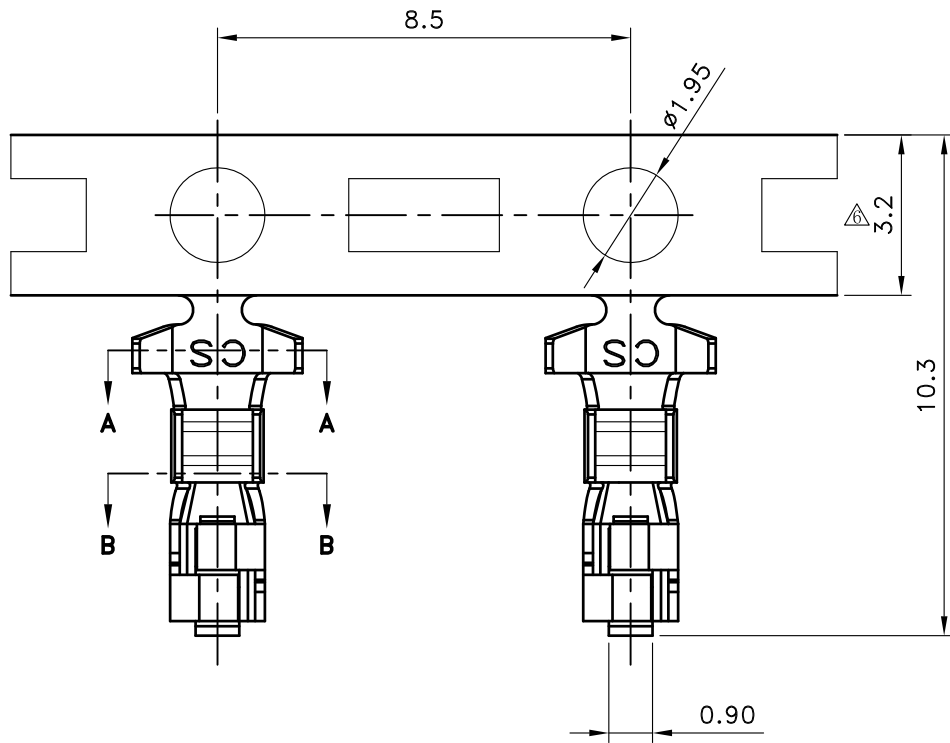
喬訊電子工業股份有限公司

CHYAO SHIUNN
ELECTRONIC INDUSTRIAL LTD.

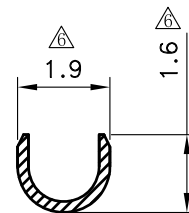
PART NO JS-1001V2-XX

2.50mm Board to Board Connector MST TYPE

| APPROVED BY | SCALE | UNIT | TOLERANCE | LTR | REVISION RECORD | NAME | DATE | LTR | REVISION RECORD | NAME | DATE |
|-------------|------------|---------|-----------------|-----------------|-----------------|------|----------|-----|----------------------------------|------|------|
| 張育瑞 | | mm | .0 ± 0.30 | △ | 修正B尺寸和C尺寸 | 謝君 | 21/09/29 | △ | | | |
| CHECKED BY | PROJ | VER NO. | .00 ± 0.20 | △ | | | | △ | | | |
| 劉娜 | ⊕ | a1 | .000 ± 0.10 | △ | | | | △ | | | |
| DRAWN BY | DATE | SIZE | ANGLE | | | | | | CUSTOMER | | |
| 謝君 | 2021/09/29 | A4 | 0 $^{\circ}$ | $\pm 1^{\circ}$ | △ | | | | Conforms to The RoHS Instruction | | |
| | | | .0 $^{\circ}$ | \pm | △ | | | | | | |
| | | | SHEET | 1/1 | △ | | | | | | |



SECTION A-A



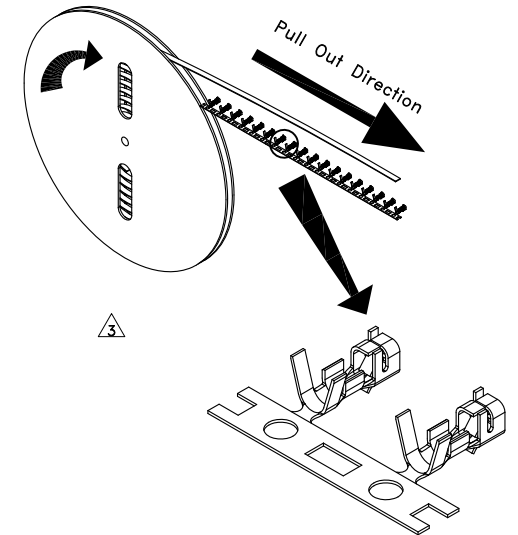
SECTION B-B

■ SPECIFICATIONS

- Current Rating : 3A AC/DC
- Withstanding Voltage : 1,000V AC/minute
- Insulation Resistance : 1,000MΩ min
- Temperature Range : - 25°C to + 85°C
- Contact Resistance : 20mΩ max

■ Feature:

- Part No. : JS-2001-TXX ^① △
- ① T:Standard Plated Process (Material :Phos. Bronze)
- TB:Standard Plated Process (Material :Brass)
- TP1:Stamping Befor Plated (Material :Phos. Bronze) △
- TBP:Stamping Befor Plated △ (Material :Brass)
- Applicable Wires : AWG# 22 - 28
- Finish : Tin Plated
- Thickness : 0.2mm
- Q' ty : 8,000 pcs./Reel



 喬訊電子工業股份有限公司
CHYAO SHIUNN
ELECTRONIC INDUSTRIAL LTD.

| APPROVED BY | SCALE | UNIT | TOLERANCE | LTR | REVISION RECORD | NAME | DATE | LTR | REVISION RECORD | NAME | DATE |
|-------------|------------|---------|-----------|-----|--------------------|------|----------|----------------------------------|-------------------|------|------------|
| Tom Shih | N/A | mm | .0 ±0.3 | △ | 尺寸修正 | 龔志紅 | 05/05/13 | △ | 新增生產料號JS-2001-TP1 | 劉娜 | 20/03/25 |
| CHECKED BY | PROJ | VER NO. | .00 ±0.2 | △ | 結構修改 | 余秀麗 | 05/10/15 | △ | 還原TBP選項 | 曾慶根 | 2020/05/07 |
| 張育瑞 | ⊕ | a9 | .000 ±0.1 | △ | 料號修改及加入3D圖檔 | 王誠賢 | 10/09/01 | △ | | | |
| DRAWN BY | DATE | SIZE | ANGLE | | 尺寸修正，增加加強筋和凸點 | 朱佑武 | 11/03/21 | CUSTOMER | | | |
| 曾慶根 | 2020/05/07 | A4 | 0° ±1° | △ | 變更卡勾結構及尺寸 | 朱佑武 | 12/07/02 | | | | |
| | | | .0° ± | △ | 尺寸變更 | 劉鐵軍 | 13/10/29 | Conforms to The RoHS Instruction | | | |
| | | | SHEET | 1/1 | 取消舊模生產料號JS-2001-TP | 劉娜 | 18/01/27 | | | | |

PART NO JS-2001-TXX [△]
2.50mm Wire to Board Connector, Terminal