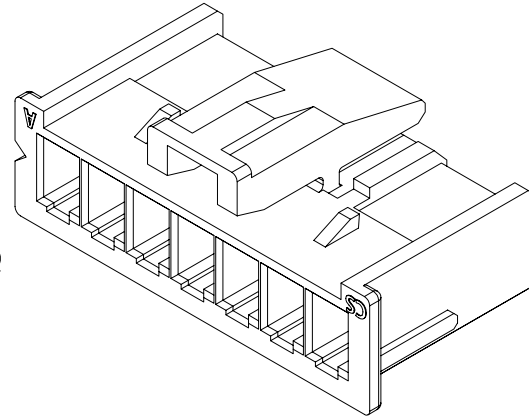
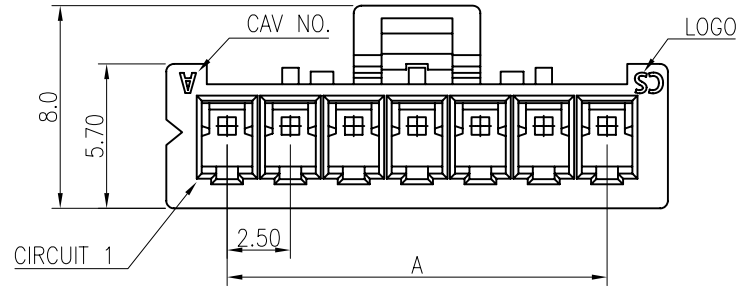


A4

REV.	ECN.NO	REVISIONS	REV.DRAWN	DATE
A	----	初版发行	sunquan	2013.03.27

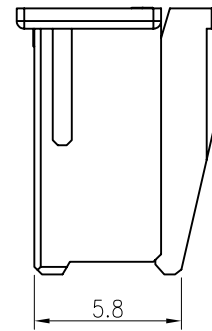
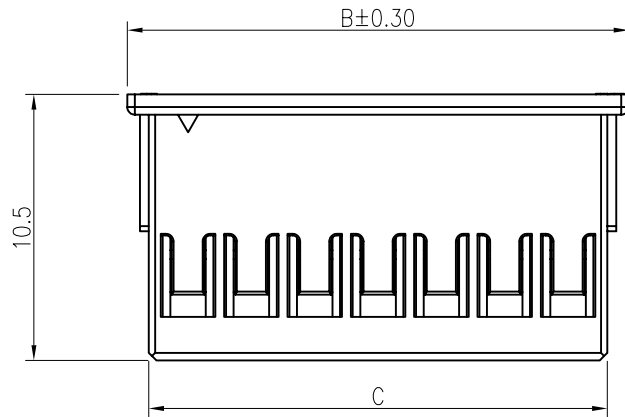


3D View



HOUSING:

- Material: Thermoplastic plastic, UL94V-0
- Part No.: JS-2504H-XX-XXXX-XX
 - Poles: 02~20
 - Blank: PA66
 - DE: PC+PET (High flame retardant)
 - Blank: Normal
 - NH: Halogen Free
 - Blank: Nature
 - BK: Black
- Mating With: JS-2503X-XX
- Halogen free product identification LOGO on the packing
- Packing : 1000pcs/Bag



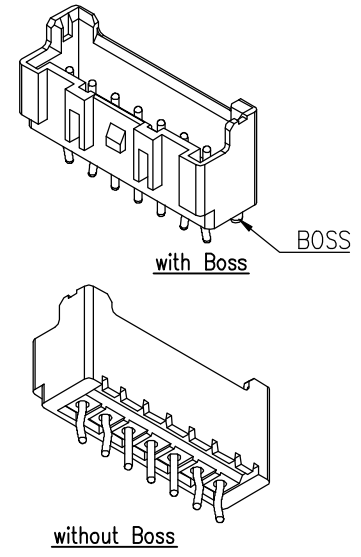
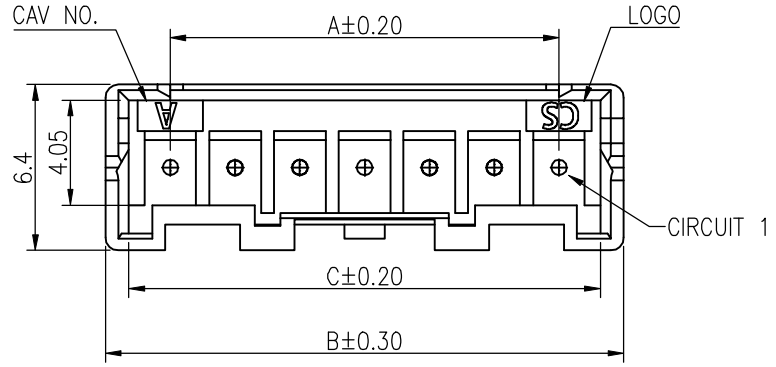
Poles	A	B	C
02	2.50	7.3	5.60
03	5.00	9.8	8.10
04	7.50	12.3	10.60
05	10.00	14.8	13.10
06	12.50	17.3	15.60
07	15.00	19.8	18.10
08	17.50	22.3	20.60
09	20.00	24.8	23.10
10	22.50	27.3	25.60
11	25.00	29.8	28.10
12	27.50	32.3	30.60
13	30.00	34.8	33.10
14	32.50	37.3	35.60
15	35.00	39.8	38.10
16	37.50	42.3	40.60
17	40.00	44.8	43.10
18	42.50	47.3	45.60
19	45.00	49.8	48.10
20	47.50	52.3	50.60

X. ±0.40	X.' ±5.0'	UNITS mm	NAME(INTENDED USE)	乔讯电子(上海)有限公司 CHYAO SHUNN ELECTRONICS(SHANGHAI)CO.,LTD.
.X ±0.30	.X' ±2.0'	MAT'S	CUSTOMER	
.XX ±0.20	.XX' ±1.0'	SEE NOTE	PART NO.(INTENDED USE)	TITLE:
.XXX ±0.10	---	FINISH	JS-2504H-XX	2.5mm Crimp Style Connectors
THESE DRAWINGS AND SPECIFICATIONS ARE THE PROPERTY OF CHYAO SHUNN ELECTRONIC CO.,LTD.AND SHALL NOT BE REPRODUCED, COPIED OR USED IN ANY MANNER WITHOUT THE PRIOR WRITTEN CONSENT OF CHYAO SHUNN ELECTRONIC CO.,LTD.			APPV'D	DWG NO.
Q'TY	---	SEE NOTE	CHK'D	020-0151-2504H-XX
DR': sunquan	2013.03.27	符合环境管理物质	SCALE	SHEET
			3 : 1	1/1
			REV	/



符合环境管理物质

REV.	ECN.NO	REVISIONS	REV.DRAWN	DATE
A	----	正式版发行, 增加红色规格	sunquan	201/01/28
B	----	修改打K形式	sunquan	2013/02/27
C	----	修改打K形式	sunquan	2013/03/05
D	----	增加蓝色规格	Y.H.ZHANG	2017/12/21

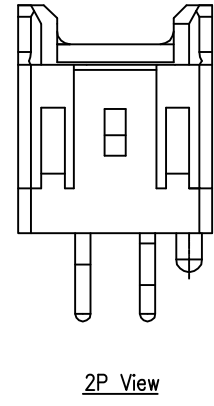
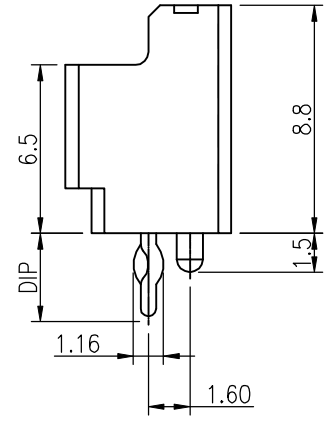
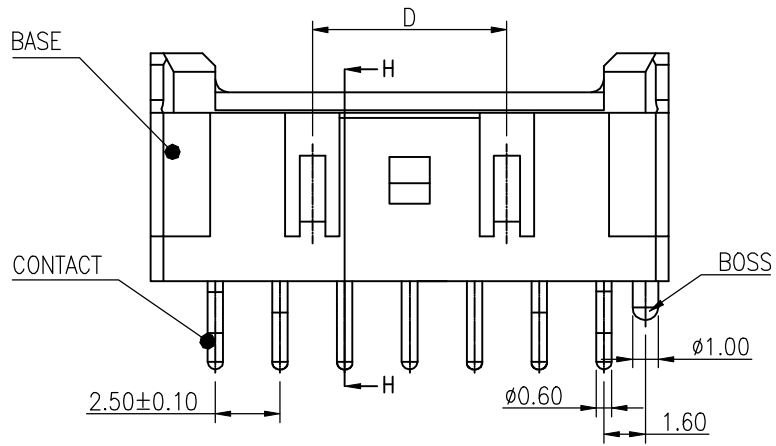


WAFER:
 1. Material: Base: PA66 Glass Filled, UL94V-0
 Contact: Copper Alloy, Tin Plated
 2. Color: Nature of Material
 3. Packing: Bag
 4. Part No. : JS-2503A-XXXXX-XXXX-XX

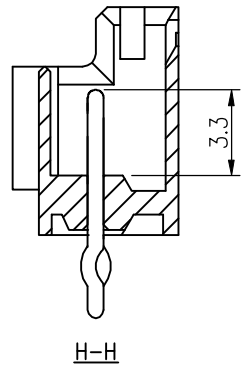
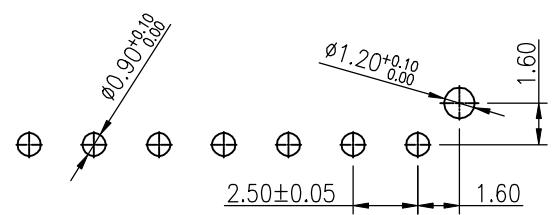
Blank: without Boss
 A: with Boss
 Poles: 02~20
 Blank: DIP 3.2mm
 D: DIP 2.7mm
 Blank: Tin Plated
 (Ni:>30μ",Sn:>100μ")
 M: Matte Sn
 (Ni:>30μ",Sn:>100μ")

Blank: Normal
 NH: Halogen Free
 Blank: Nature
 RD: Red
 BK: Black
 BU: Blue
 Blank: PA66+15%GF
 D5: PA66+15%GF(NH)

5. Halogen free product identification LOGO on the packing



Poles	A	B	C	D
02	2.50	7.5	5.70	4.80
03	5.00	10.0	8.20	6.90
04	7.50	12.5	10.70	7.50
05	10.00	15.0	13.20	7.50
06	12.50	17.5	15.70	7.50
07	15.00	20.0	18.20	7.50
08	17.50	22.5	20.70	7.50
09	20.00	25.0	23.20	7.50
10	22.50	27.5	25.70	7.50
11	25.00	30.0	28.20	7.50
12	27.50	32.5	30.70	7.50
13	30.00	35.0	33.20	7.50
14	32.50	37.5	35.70	7.50
15	35.00	40.0	38.20	7.50
16	37.50	42.5	40.70	7.50
17	40.00	45.0	43.20	7.50
18	42.50	47.5	45.70	7.50
19	45.00	50.0	48.20	7.50
20	47.50	52.5	50.70	7.50

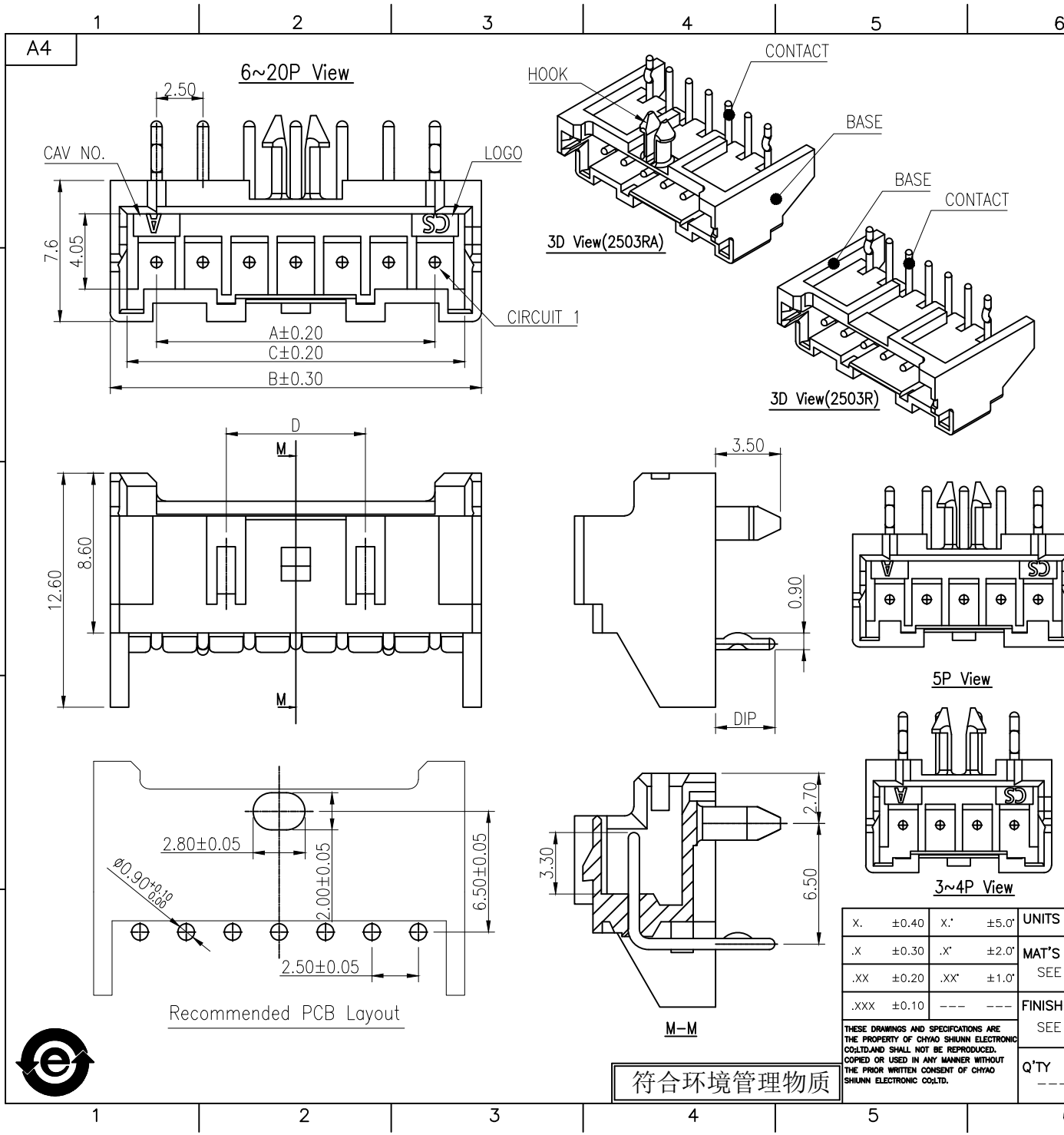


Recommended PCB Layout

X.	±0.40	X.*	±5.0'	UNITS	mm	NAME(INTENDED USE)	乔讯电子(上海)有限公司 CHYAO SHUINN ELECTRONICS(SHANGHAI)CO.,LTD.						
.X	±0.30	.X*	±2.0'	MAT'S		CUSTOMER							
.XX	±0.20	.XX*	±1.0'	SEE NOTE		PART NO.(INTENDED USE)	TITLE:						
.XXX	±0.10	---	---	FINISH		JS-2503A-XX	2.5mm Crimp Style Connectors						
THESE DRAWINGS AND SPECIFICATIONS ARE THE PROPERTY OF CHYAO SHUINN ELECTRONIC CO.,LTD.AND SHALL NOT BE REPRODUCED, COPIED OR USED IN ANY MANNER WITHOUT THE PRIOR WRITTEN CONSENT OF CHYAO SHUINN ELECTRONIC CO.,LTD.				SEE NOTE		APPV'D	DWG NO.						
				Q'TY	---	CHK'D	020-0151-2503A-XX						
						DR': sunquan 2012/12/17	<table border="1"> <tr> <th>SCALE</th> <th>SHEET</th> <th>REV</th> </tr> <tr> <td>3 : 1</td> <td>1/1</td> <td>/</td> </tr> </table>	SCALE	SHEET	REV	3 : 1	1/1	/
SCALE	SHEET	REV											
3 : 1	1/1	/											

符合环境管理物质





REV.	ECN.NO	REVISIONS	REV.DRAWN	DATE
A	----	正式版发行	sunquan	2013/03/27
B	14039	修改PIN距尺寸公差	Zuochao	2014/11/14
C	----	增加2~6P图示	sunquan	2015/10/07

WAFER:
 1. Material: Base: PA66 Glass Filled, UL94V-0
 Contact: Copper Alloy, Tin Plated
 2. Color: Nature of Material
 3. Packing: Bag
 4. Part No. : JS-2503RX-XXXXX-XXXX-XX

Blank: without Hook
 A: with Hook
 Poles: 02~20
 Blank: DIP 3.2mm
 D: DIP 2.7mm
 Blank: Tin Plated (Ni:>30μ",Sn:>100μ")
 M: Matte Sn (Ni:>30μ",Sn:>100μ")

Blank: Normal
 NH: Halogen Free
 Blank: Nature
 RD: Red
 BK: Black
 Blank: PA66+15%GF
 D5: PA66+15%GF(NH)

5. Halogen free product identification LOGO on the packing

Poles	A	B	C	D
02	2.50	7.5	5.70	4.80
03	5.00	10.0	8.20	6.90
04	7.50	12.5	10.70	7.50
05	10.00	15.0	13.20	7.50
06	12.50	17.5	15.70	7.50
07	15.00	20.0	18.20	7.50
08	17.50	22.5	20.70	7.50
09	20.00	25.0	23.20	7.50
10	22.50	27.5	25.70	7.50
11	25.00	30.0	28.20	7.50
12	27.50	32.5	30.70	7.50
13	30.00	35.0	33.20	7.50
14	32.50	37.5	35.70	7.50
15	35.00	40.0	38.20	7.50
16	37.50	42.5	40.70	7.50
17	40.00	45.0	43.20	7.50
18	42.50	47.5	45.70	7.50
19	45.00	50.0	48.20	7.50
20	47.50	52.5	50.70	7.50

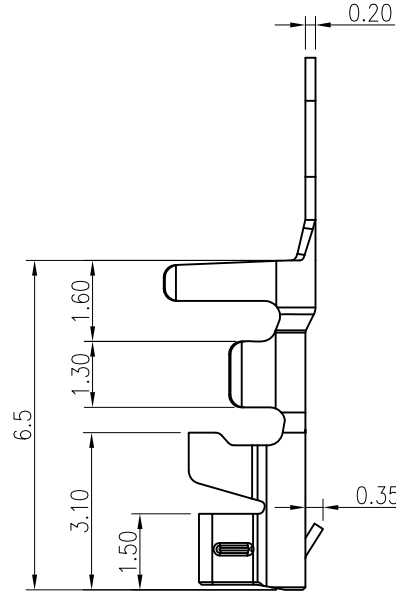
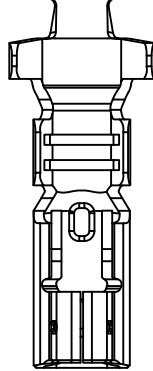
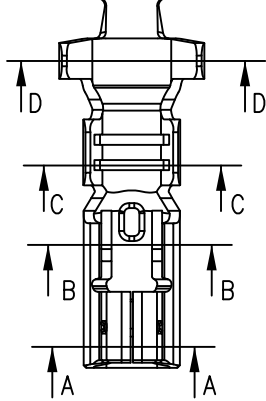
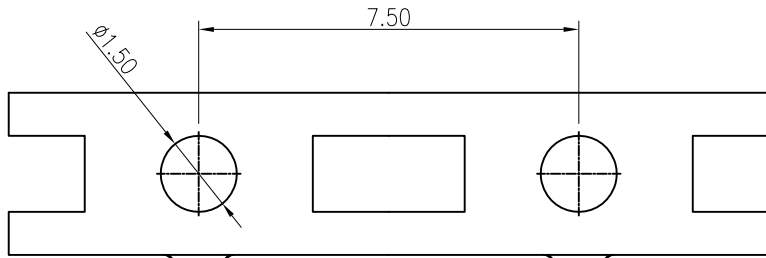
X. ±0.40	X.' ±5.0'	UNITS mm	NAME(INTENDED USE)	乔讯电子(上海)有限公司 CHYAO SHUNN ELECTRONICS(SHANGHAI)CO.,LTD.						
.X ±0.30	.X' ±2.0'	MAT'S	CUSTOMER							
.XX ±0.20	.XX' ±1.0'	SEE NOTE	PART NO.(INTENDED USE)	TITLE:						
.XXX ±0.10	---	FINISH	JS-2503RX-XX	2.5mm Crimp Style Connectors						
THESE DRAWINGS AND SPECIFICATIONS ARE THE PROPERTY OF CHYAO SHUNN ELECTRONIC CO.,LTD.AND SHALL NOT BE REPRODUCED, COPIED OR USED IN ANY MANNER WITHOUT THE PRIOR WRITTEN CONSENT OF CHYAO SHUNN ELECTRONIC CO.,LTD.			APPV'D	DWG NO.						
Q'TY	---	SEE NOTE	CHK'D	020-0151-2503RA-XX						
---	---	---	DR': sunquan 2013/03/27	<table border="1"> <thead> <tr> <th>SCALE</th> <th>SHEET</th> <th>REV</th> </tr> </thead> <tbody> <tr> <td>3 : 1</td> <td>1 / 1</td> <td>/</td> </tr> </tbody> </table>	SCALE	SHEET	REV	3 : 1	1 / 1	/
SCALE	SHEET	REV								
3 : 1	1 / 1	/								

符合环境管理物质



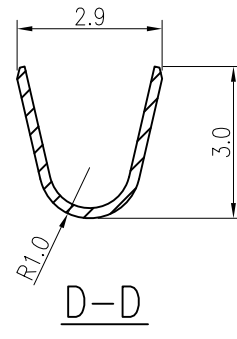
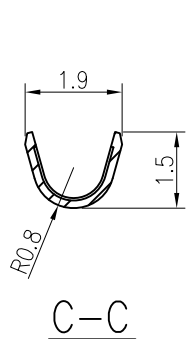
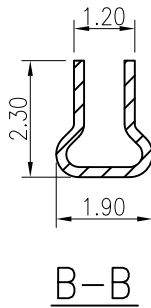
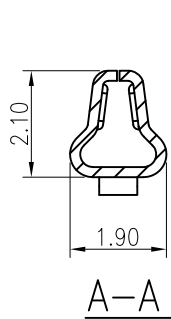
A4

REV.	ECN.NO	REVISIONS	REV.DRAWN	DATE
A	----	初版发行	sunquan	2013/03/27



TERMINAL:

- . Part No. : JS-2504-TXX
- Blank: Sn>50 μ " Ni>10 μ "(先镀后冲)
- 2: Sn>100 μ " Ni>30 μ "
- 4: Sn>50 μ " Ni>10 μ "
- . Applicable Wires : AWG# 24~20
- . Material : Phos. Bronze
- . Finish : Tin Plated
- . Thickness : 0.2mm
- . Q'ty : 8,000 pcs/Reel



X. ±0.40	X.* ±5.0'	UNITS mm	NAME(INTENDED USE)	乔讯电子(上海)有限公司 CHYAO SHUNN ELECTRONICS(SHANGHAI)CO.,LTD.						
.X ±0.30	.X* ±2.0'	MAT'S	CUSTOMER							
.XX ±0.20	.XX* ±1.0'	SEE NOTE	PART NO.(INTENDED USE)	TITLE:						
.XXX ±0.10	---	FINISH	JS-2504-TXX	2.5mm Crimp Style Connectors						
THESE DRAWINGS AND SPECIFICATIONS ARE THE PROPERTY OF CHYAO SHUNN ELECTRONIC CO.,LTD.AND SHALL NOT BE REPRODUCED, COPIED OR USED IN ANY MANNER WITHOUT THE PRIOR WRITTEN CONSENT OF CHYAO SHUNN ELECTRONIC CO.,LTD.			APPV'D	DWG NO.						
Q'TY			CHK'D	020-0151-2504-TXX						
---			DR': sunquan 2013/03/27	<table border="1"> <tr> <td>SCALE</td> <td>SHEET</td> <td>REV</td> </tr> <tr> <td>6 : 1</td> <td>1/1</td> <td>/</td> </tr> </table>	SCALE	SHEET	REV	6 : 1	1/1	/
SCALE	SHEET	REV								
6 : 1	1/1	/								

符合环境管理物质

