

■ SPECIFICATIONS

- Voltage Rating : 250V AC/DC
- Current Rating : 3A AC/DC
- Withstanding Voltage : 1000V AC/minute
- Insulation Resistance : 1,000M Ω min
- Temperature Range : - 25°C to + 85°C
- Contact Resistance : 20m Ω max

■ WAFER

- Part No. : JS-6002-XX(XX) (Straight)

① ②

① Poles : 2 - 15

② Base Material : Blank : Nylon 66 UI94V-2

(Natural color:Beige) $\triangle 5$

V0 : Nylon 66 UL94V-0

(Natural color:Milk white) $\triangle 5$

GW : Nylon66 UL94V-0(Glow Wire) $\triangle 4$

GF : Nylon66 UL94V-0 (G.F.)

(Poles : 2 - 6) $\triangle 6$

- Material : Contact : Brass, Tin Plated
- Q' ty : 1,000 pcs./Bag

Poles	Dimensions(mm)		Poles	Dimensions(mm)	
	A	B		A	B
2	2.50	5.00	9	20.00	22.50
3	5.00	7.50	10	22.50	25.00
4	7.50	10.00	11	25.00	27.50
5	10.00	12.50	12	27.50	30.00
6	12.50	15.00	13	30.00	32.50
7	15.00	17.50	14	32.50	35.00
8	17.50	20.00	15	35.00	37.50

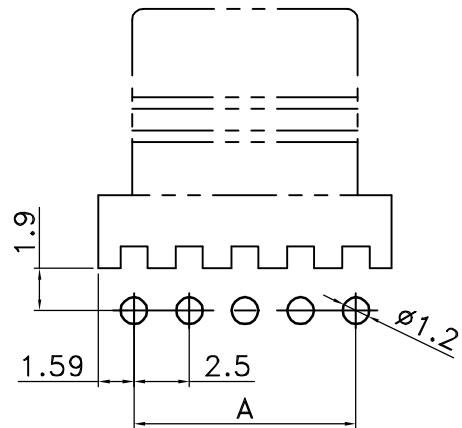


喬訊電子工業股份有限公司
CHYAO SHIUNN
ELECTRONIC INDUSTRIAL LTD.

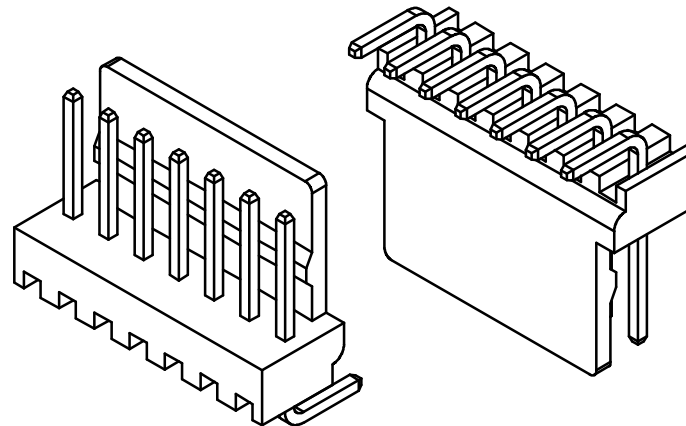
APPROVED BY	SCALE	UNIT	TOLERANCE	LTR	REVISION RECORD	NAME	DATE	LTR	REVISION RECORD	NAME	DATE
Tom Shih		mm	.0 ±0.30	\triangle	XXX	余秀麗	2005/05/15	\triangle			
CHECKED BY	PROJ	VER NO.	.00 ±0.20	\triangle	套新圖框，刪除GP料號	張逸維	2012/11/23	\triangle			
Erin Chou	\oplus \square	a7	.000 ±0.10	\triangle	增加V0選項	吳弘文	2015/05/22	\triangle			
DRAWN BY	DATE	SIZE	ANGLE	\triangle	新增GW材質選項	曾慶根	2017/03/03				
Eddie	2022/11/01	A4	0° ±1°	\triangle	新增BASE顏色標註	劉娜	2019/05/08				
			.0° ±	\triangle	添加GF選項	謝君	2020/09/02				
			SHEET 1/1	\triangle	修正Pin位置標示	Eddie	2022/11/01				

PART NO JS-6002-XX
2.50mm Crimp Style Connectors Wafer

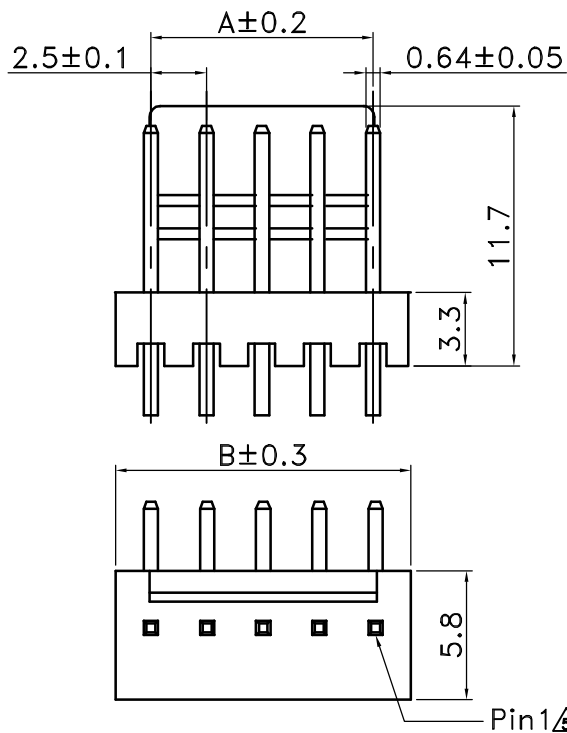
CUSTOMER
Conforms to The RoHS Instruction



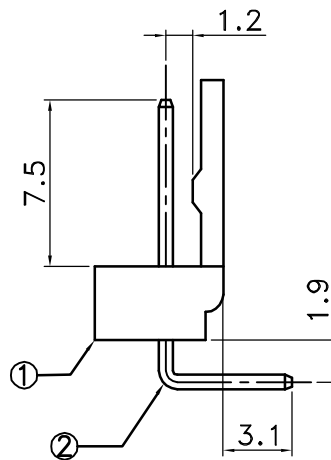
Recommended PCB Layout
General Tolerances ± 0.05



7PIN 3D VIEW



Pin1 \triangle



■ SPECIFICATIONS

- Current Rating : 3A AC/DC
- Withstanding Voltage : 1,000V AC/minute
- Insulation Resistance : 1,000M Ω min
- Temperature Range : - 25 $^{\circ}$ C to + 85 $^{\circ}$ C
- Contact Resistance : 20m Ω max.

■ WAFER

- Part No. : JS-7002-XX(XX)(Right Angle)

① ②

① Poles : 2-15

② Base Material:

Blank: Nylon 66 UL94V-2 \triangle

GW1: Nylon 66 UL94V-0(Glow Wire) \triangle

V0: Nylon 66 UL94V-0 \triangle

- Material : 1.Contact : Brass, Tin plated
2.Base: Refer of the above options
- Q' ty : 1,000 pcs./Reel

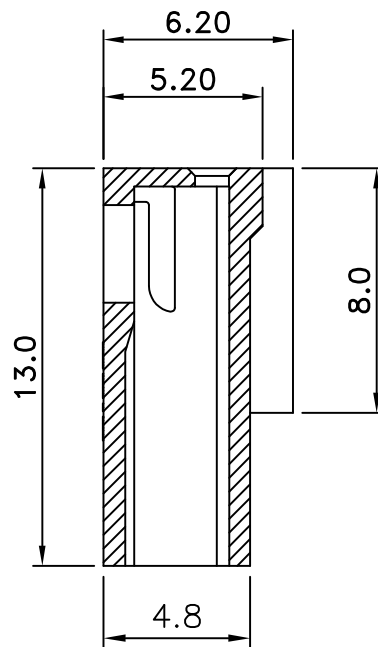
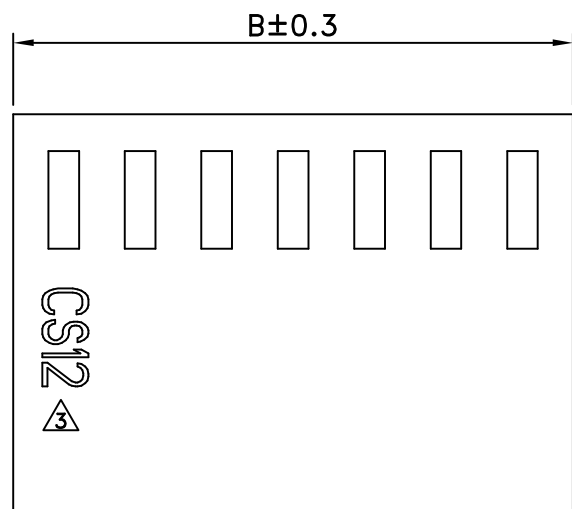
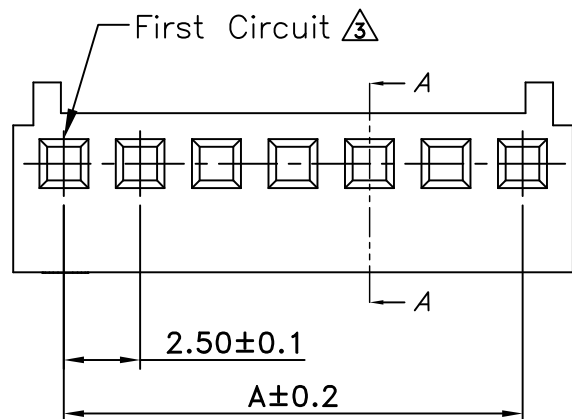
Poles	Dimensions(mm)	
	A	B
2	2.50	5.00
3	5.00	7.50
4	7.50	10.00
5	10.00	12.50
6	12.50	15.00
7	15.00	17.50
8	17.50	20.00
9	20.00	22.50
10	22.50	25.00
11	25.00	27.50
12	27.50	30.00
13	30.00	32.50
14	32.50	35.00
15	35.00	37.50



喬訊電子工業股份有限公司
CHYAO SHIUNN
ELECTRONIC INDUSTRIAL LTD.

APPROVED BY	SCALE	UNIT	TOLERANCE	LTR	REVISION RECORD	NAME	DATE	LTR	REVISION RECORD	NAME	DATE
Tom Shih		mm	.0 ± 0.30	\triangle	未知	XXX	XX/XX/XX	\triangle			
CHECKED BY	PROJ	VER NO.	.00 ± 0.20	\triangle	更換新圖框&增加3D視圖	林豐盛	11/01/25	\triangle			
Erin Chou		a5	.000 ± 0.10	\triangle	增加灼熱絲原料選項	曾慶根	2016/07/18	\triangle			
DRAWN BY	DATE	SIZE	ANGLE		增加V0原料選項	曾慶根	2018/03/21		CUSTOMER		
Eddie	2022/11/01	A4	0 $^{\circ}$	$\pm 1^{\circ}$	修正Pin1位置標示	Eddie	2022/11/01				
			.0 $^{\circ}$	\pm					Conforms to The RoHS Instruction		
			SHEET	1/1							

PART NO JS-7002-XX(XX)
2.50mm Crimp Style Connectors Wafer



SECTION:A-A

■ SPECIFICATIONS

- Voltage Rating : 250V AC/DC
- Current Rating : 3A AC/DC
- Withstanding Voltage : 1,000V AC/minute
- Insulation Resistance : 1,000M Ω min
- Temperature Range : - 25°C to + 85°C
- Contact Resistance : 20m Ω max.

■ HOUSING

- Part No. : JS-8002-XX(XX)

① Poles : 2 - 15 ① ②

② Material :

Blank:Nylon 66 UL94V-2

GW : Nylon66 UL94V-0(Glow Wire)

- Q' ty : 1,000 pcs./Bag

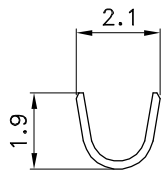
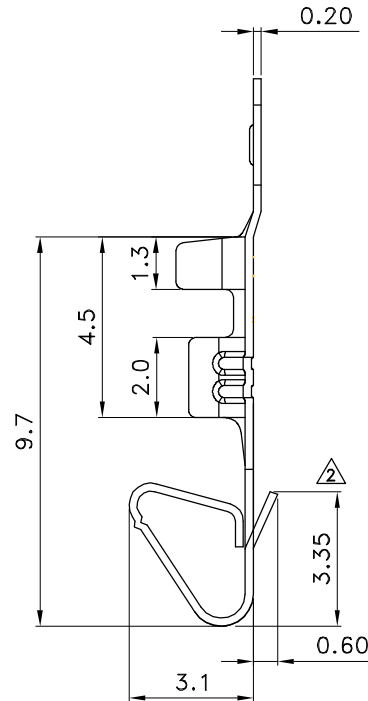
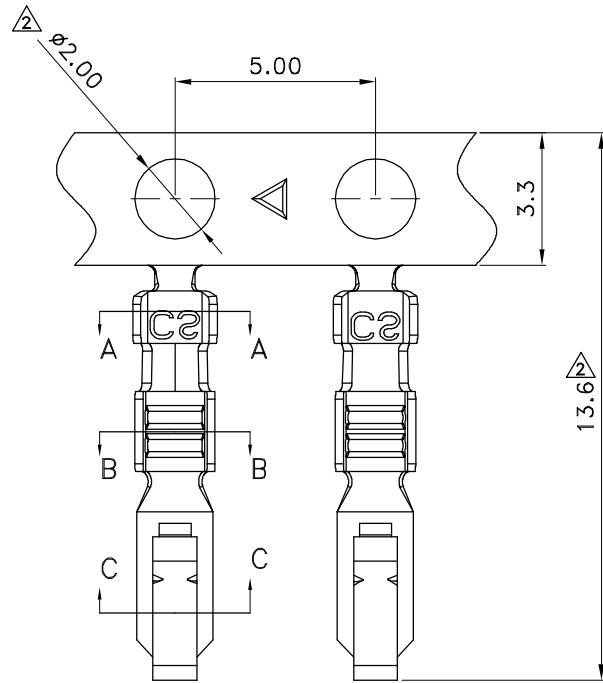
Poles	Dimensions(mm)	
	A	B
2	2.50	5.80
3	5.00	8.30
4	7.50	10.80
5	10.00	13.30
6	12.50	15.80
7	15.00	18.30
8	17.50	20.80
9	20.00	23.30
10	22.50	25.80
11	25.00	28.30
12	27.50	30.80
13	30.00	33.30
14	32.50	35.80
15	35.00	38.30



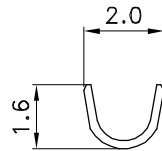
喬訊電子工業股份有限公司
CHYAO SHIUNN
ELECTRONIC INDUSTRIAL LTD.

APPROVED BY	SCALE	UNIT	TOLERANCE	LTR	REVISION RECORD	NAME	DATE	LTR	REVISION RECORD	NAME	DATE
張育瑞		mm	.0 ±0.30								
CHECKED BY	PROJ	VER NO.	.00 ±0.20		套新圖框，刪除GP料號	張逸維	2012/11/23				
周家慶		a5	.000 ±0.10		增加模號與部分標註說明	林宛盈	2013/10/09				
DRAWN BY	DATE	SIZE	ANGLE		增加SM (舒爾曼料) 選項	曾慶根	2015/10/23		CUSTOMER		
曾慶根	2017/03/06	A4	0° ±1°		新增GW材質選項；刪除SM選項	曾慶根	2017/03/06				
			0° ±						Conforms to The RoHS Instruction		
			SHEET	1/1							

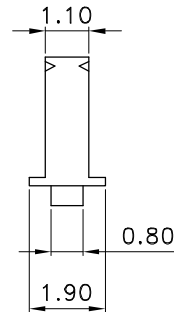
PART NO JS-8002-XX(XX)
2.50mm Crimp Style Connectors Housing



A-A SEC



B-B SEC



C-C SEC

■ SPECIFICATIONS

- Current Rating : 3A AC/DC
- Withstanding Voltage : 1000V AC/minute
- Insulation Resistance : 1000M Ω min
- Temperature Range : - 25°C to + 85°C
- Contact Resistance : 20mΩ max

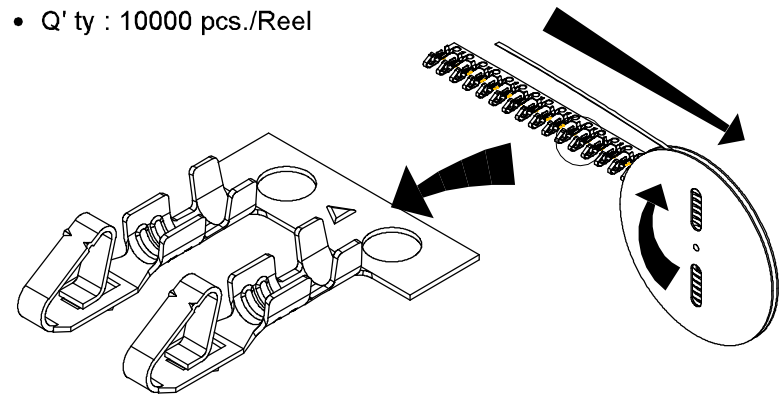
▲ ■ TERMINAL

- Part No. : JS-8001-TXX(XX)

Code No: ① ②

- ① T : Standard Process, Brass
TP : Stamping before Plated, Brass
PBT : Standard Process, Phosphor Bronze
- ▲ PBTP : Stamping before Plated, Phosphor Bronze
- ② Plated : Blank : Tin Plated(80u" Tin-Lead Plating).
15u" Min Nickel Under Plating.)
- ▲ G : Gold Flash
G1 : 1. Gold 30u"(Phosphor Bronze)
2. Selec Gold(Brass)
G2 : Gold 10u"(Brass)
- ▲ G4 : 15u" min. Au over 50u" min. Nickel(Brass)
G6 : Gold 5u"(Brass)

- Applicable Wires : AWG # 22 - 28
- Material : Refer the above narrative
- Thickness : 0.2 mm
- Q' ty : 10000 pcs./Reel



喬訊電子工業股份有限公司
CHYAO SHIUNN
ELECTRONIC INDUSTRIAL LTD.

APPROVED BY	SCALE	UNIT	TOLERANCE	LTR	REVISION RECORD	NAME	DATE	LTR	REVISION RECORD	NAME	DATE
Tom Shih		mm	.0 ±0.30	▲				▲			
CHECKED BY	PROJ	VER NO.	.00 ±0.20	▲	JS-8001-TXX(XX) JS-8001-TXX(XX) JS-8001-TXX(XX) JS-8001-TXX(XX) JS-8001-TXX(XX)	劉怡萱	11/04/06	▲			
Erin Chou		a5	.000 ±0.10	▲	物性表更新成球線選項式並新增端子PBT規格	Tom Lee	17/09/04	▲			
DRAWN BY	DATE	SIZE	ANGLE	▲	電鍍刷金選項刪除黃銅料限定改為通用	Tom Lee	17/12/15	▲			
Eddie	2020/10/22	A4	0° ±1°	▲	新增電鍍規格	Eddie	20/10/22	▲			
			.0° ±	▲				▲			
			SHEET 1/1	▲							

PART NO JS-8001-TXX(XX)

2.54mm Crimp Style Connectors Terminal

CUSTOMER
Conforms to The RoHS Instruction